



US00D829933S

(12) **United States Design Patent**  
**Serino et al.**

(10) **Patent No.:** **US D829,933 S**  
(45) **Date of Patent:** **\*\* Oct. 2, 2018**

(54) **BRICK**

(71) Applicant: **Dryvit Systems, Inc.**, West Warwick, RI (US)

(72) Inventors: **Roland Serino**, East Greenwich, RI (US); **William Preston**, Johnston, RI (US); **Robert Lombardi**, West Greenwich, RI (US)

(73) Assignee: **Dryvit Systems, Inc.**, West Warwick, RI (US)

(\*\*) Term: **15 Years**

(21) Appl. No.: **29/585,944**

(22) Filed: **Nov. 30, 2016**

(51) **LOC (11) Cl.** ..... **25-01**

(52) **U.S. Cl.**  
USPC ..... **D25/113**

(58) **Field of Classification Search**  
USPC ..... D21/484–486, 499, 500–502; D25/113, D25/115, 118, 138, 157–162  
CPC ..... E04F 13/14; E04F 13/141; E01C 9/00; E01C 9/004; E04B 9/0451; E04B 9/0457; E04C 1/40; B32B 5/028; B32B 27/06  
See application file for complete search history.

(56) **References Cited**

**U.S. PATENT DOCUMENTS**

- 703,760 A \* 7/1902 Brown ..... E04C 1/40 52/599
  - D47,844 S \* 9/1915 Ballou ..... D25/113
  - D51,767 S \* 2/1918 Stocke ..... D25/113
  - D57,368 S \* 3/1921 Mitchell ..... D25/113
- (Continued)

**FOREIGN PATENT DOCUMENTS**

- EM 002816082-0004 \* 10/2015
  - FR 263353 A1 1/1990
- (Continued)

**OTHER PUBLICATIONS**

<http://www.dryvit.com/media/261919/ds873-newbrick.pdf> Last modified Aug. 28, 2017 (Year: 2017).\*

(Continued)

*Primary Examiner* — Susan B Hattan

*Assistant Examiner* — Leanne Was-Englehart

(74) *Attorney, Agent, or Firm* — Calfee, Halter & Griswold LLP

(57) **CLAIM**

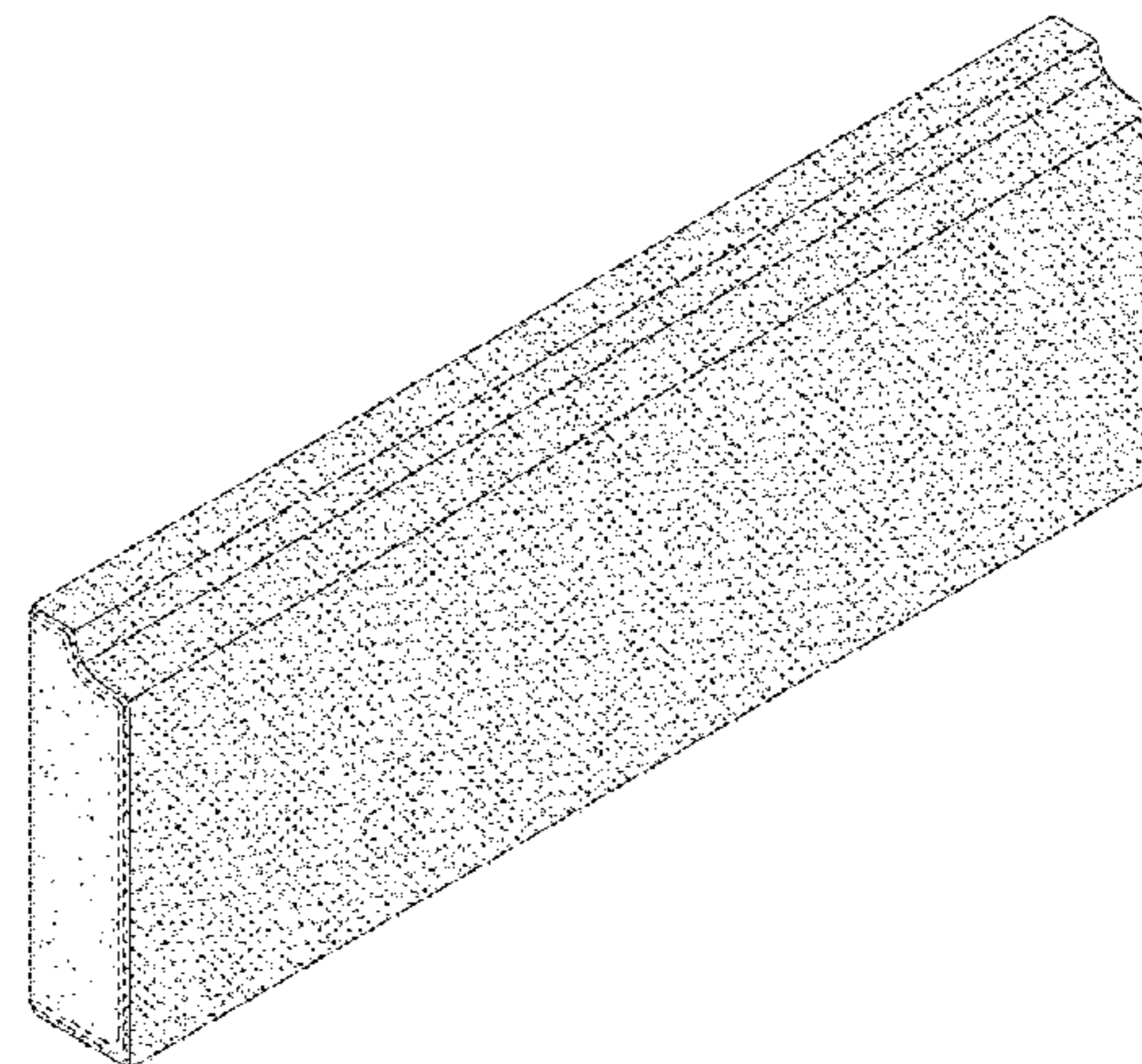
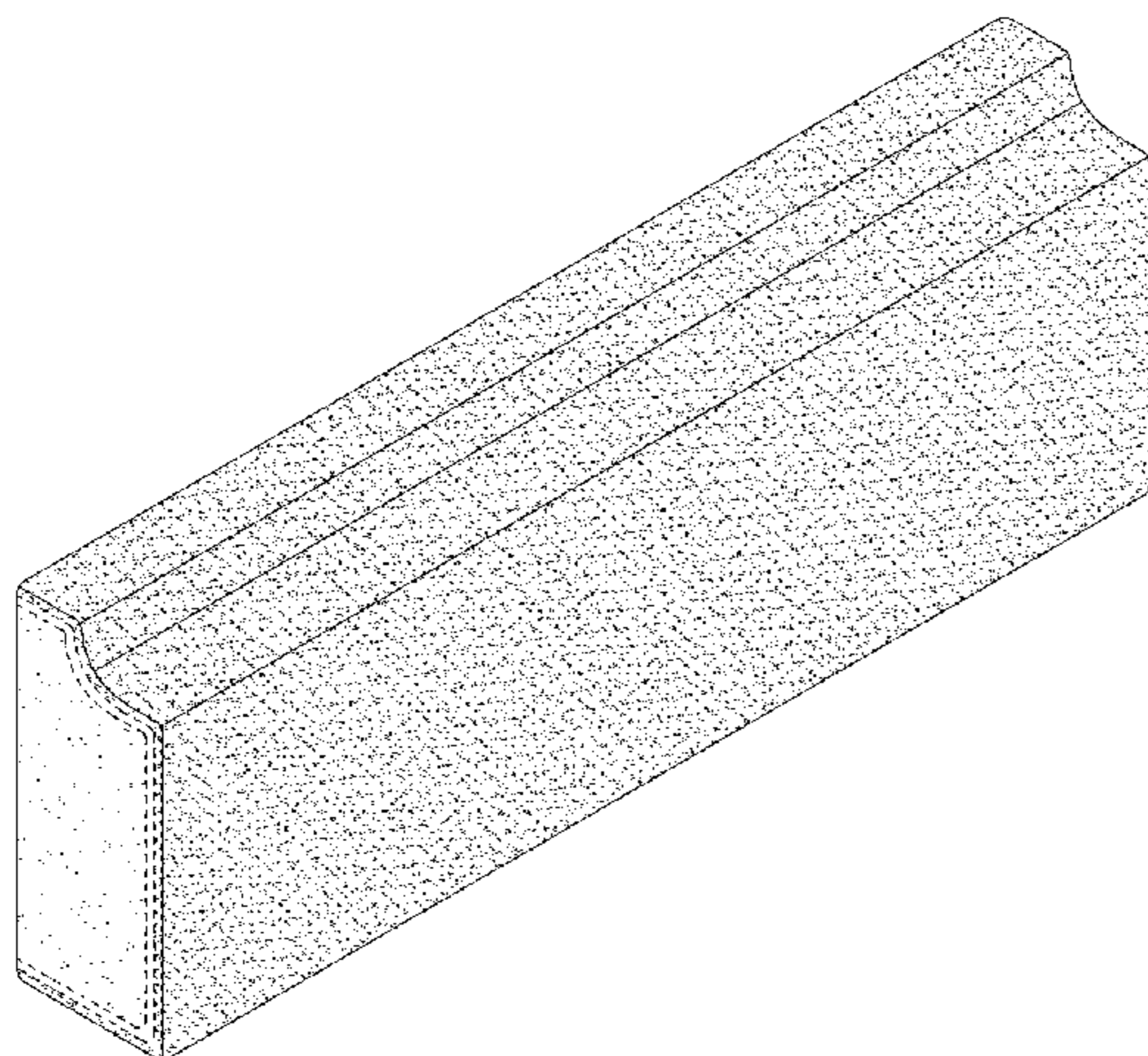
We claim the ornamental design for a brick, as shown and described.

**DESCRIPTION**

FIG. 1 is a front-left perspective view of a brick of the new design;  
 FIG. 2 is a front elevational view of the brick of FIG. 1;  
 FIG. 3 is a rear elevational view of the brick of FIG. 1;  
 FIG. 4 is a top plan view of the brick of FIG. 1;  
 FIG. 5 is a bottom plan view of the brick of FIG. 1;  
 FIG. 6 is a left side elevational view of the brick of FIG. 1, the right side elevational view being a mirror image thereof;  
 FIG. 7 is a front-left perspective view of a brick of the new design;  
 FIG. 8 is a front elevational view of the brick of FIG. 7;  
 FIG. 9 is a rear elevational view of the brick of FIG. 7;  
 FIG. 10 is a top plan view of the brick of FIG. 7;  
 FIG. 11 is a bottom plan view of the brick of FIG. 7; and,  
 FIG. 12 is a left side elevational view of the brick of FIG. 7, the right side elevational view being a mirror image thereof.

The broken lines depict portions of the brick that form no part of the claimed design.

**1 Claim, 4 Drawing Sheets**



(56)

References Cited

U.S. PATENT DOCUMENTS

1,799,014 A \* 3/1931 Innes ..... E04C 1/40  
52/576  
1,826,916 A \* 10/1931 Wyatt ..... B28B 11/0818  
52/316  
1,934,788 A \* 11/1933 Bole ..... E04C 1/40  
52/598  
2,143,616 A \* 1/1939 Adler ..... E04C 3/34  
52/258  
2,397,119 A \* 3/1946 Bohn ..... E04B 2/04  
52/279  
2,751,705 A \* 6/1956 Joseph ..... A63H 33/04  
446/488  
3,287,872 A \* 11/1966 Focht ..... B28B 23/0018  
29/521  
3,635,459 A \* 1/1972 Mare ..... B22D 41/02  
266/283  
3,822,569 A \* 7/1974 Lautrup-Larsen ..... A63H 33/04  
446/85  
4,040,225 A \* 8/1977 Bretone ..... E04B 2/10  
52/442  
4,069,075 A 1/1978 Billing  
4,077,177 A 3/1978 Boothroyd  
4,229,497 A 10/1980 Piazza  
5,367,847 A 11/1994 Hepler  
D362,322 S \* 9/1995 Barnett ..... D25/113  
D364,903 S \* 12/1995 Herzmann ..... D20/99  
5,930,964 A 8/1999 Boehning  
6,244,262 B1 \* 6/2001 Keck ..... B28D 1/00  
125/30.01  
6,481,180 B1 11/2002 Savenok  
7,743,574 B2 \* 6/2010 Tufts ..... E04C 1/395  
256/19  
D773,694 S \* 12/2016 MacDonald ..... D25/113  
D781,455 S \* 3/2017 Risi ..... D25/113  
9,677,270 B2 \* 6/2017 Serino ..... E04C 1/40

2003/0089068 A1\* 5/2003 Ameigh ..... E04C 1/395  
52/606  
2005/0247022 A1 11/2005 Poupart  
2005/0257475 A1 11/2005 Gong et al.  
2006/0037267 A1\* 2/2006 Taylor, Jr. .... B28D 1/00  
52/415  
2006/0185229 A1 8/2006 Korte et al.  
2008/0095584 A1\* 4/2008 Strand ..... E02B 3/14  
405/284  
2008/0216430 A1 11/2008 Gleeson et al.  
2009/0235600 A1 9/2009 Logan  
2009/0249722 A1\* 10/2009 Russell ..... B29C 44/1209  
52/309.4  
2011/0185662 A1\* 8/2011 Mollinger ..... B29C 37/0032  
52/309.4  
2013/0111843 A1 5/2013 Litral  
2014/0087158 A1 3/2014 Ciuperca  
2015/0218829 A1 8/2015 Curtis  
2017/0067255 A1\* 3/2017 Serino ..... E04C 1/40

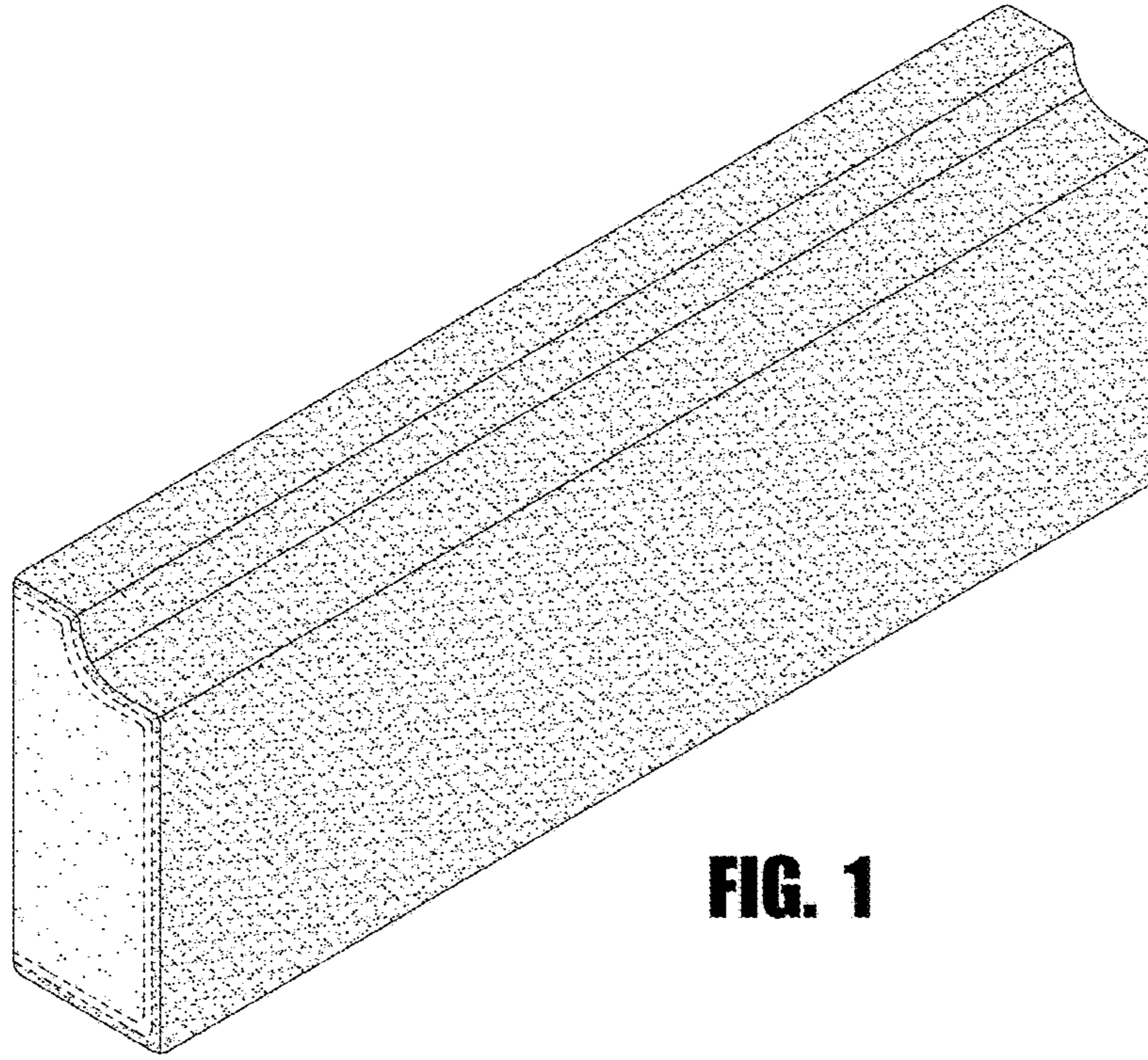
FOREIGN PATENT DOCUMENTS

GB 1127311 A 9/1968  
GB 2457293 A 8/2009  
KR 300434944.0000 \* 12/2006  
RU 00052884 \* 7/2003

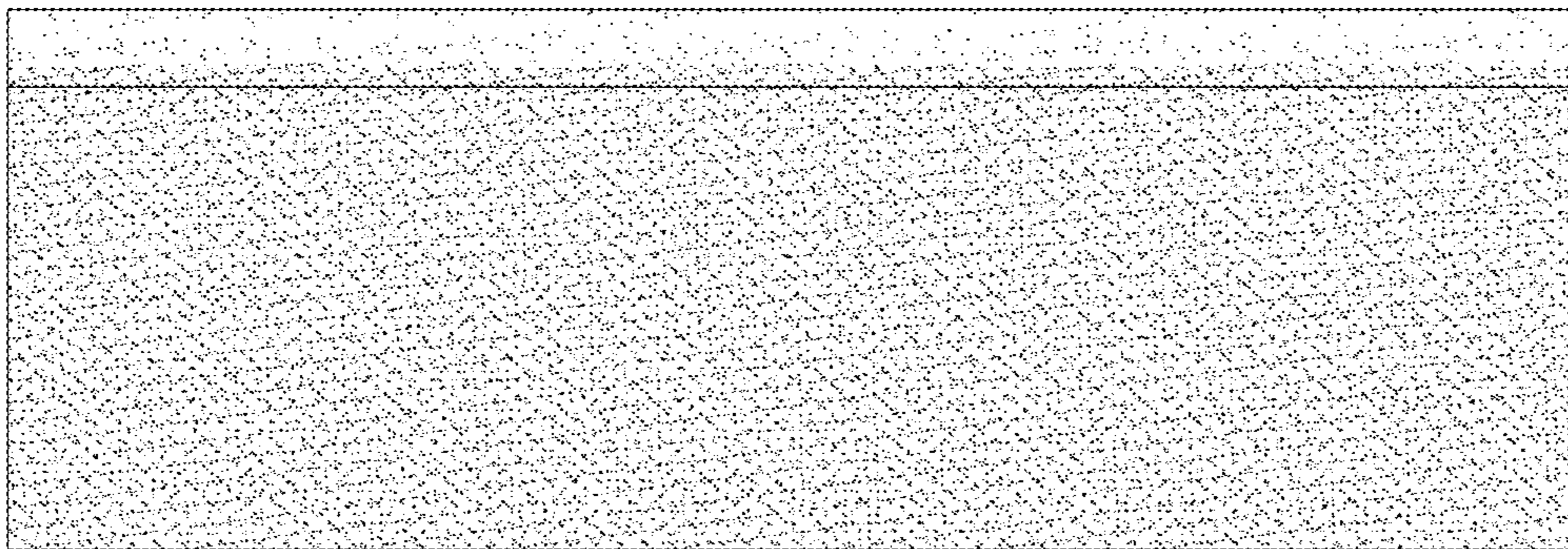
OTHER PUBLICATIONS

[http://www.dryvit.com/media/347929/ds277\\_newbrick\\_brochure.pdf](http://www.dryvit.com/media/347929/ds277_newbrick_brochure.pdf)  
Last modified Aug. 1, 2017 (Year: 2017).\*  
[https://www.youtube.com/watch?v=\\_62X0IRHAF](https://www.youtube.com/watch?v=_62X0IRHAF) Posted Jul. 27,  
2017 (Year: 2017).\*  
Website printout, Tianjin Jhongie, "nue polyurethane foam brick  
wall panel", at least as early as Aug. 31, 2015.  
StackEZe Brick Products, as least as early as Aug. 31, 2015.

\* cited by examiner



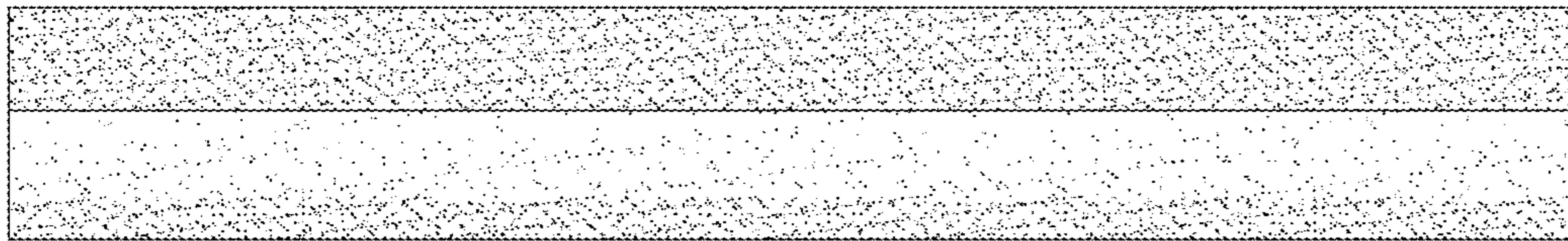
**FIG. 1**



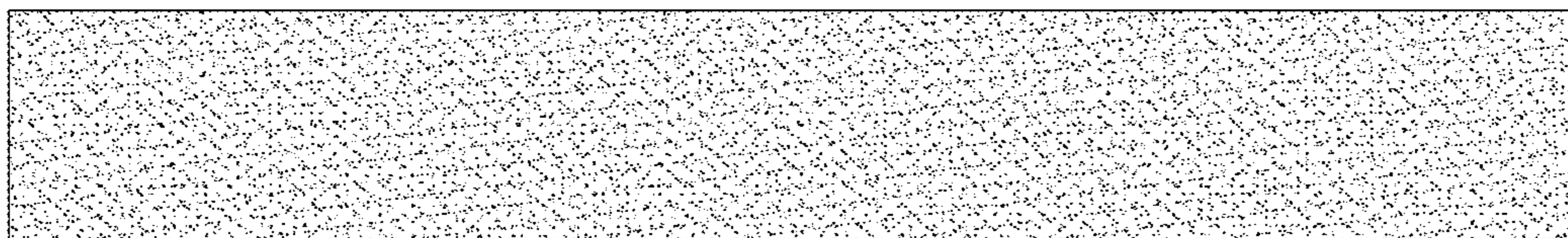
**FIG. 2**



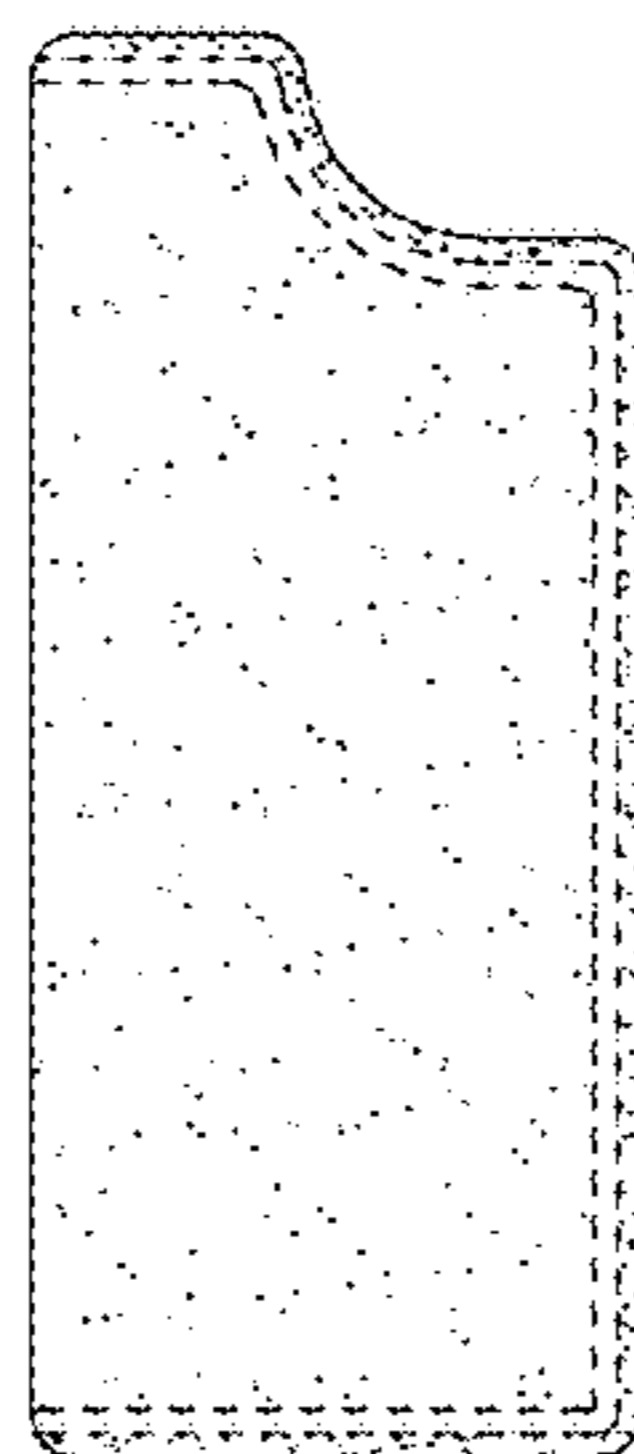
**FIG. 3**



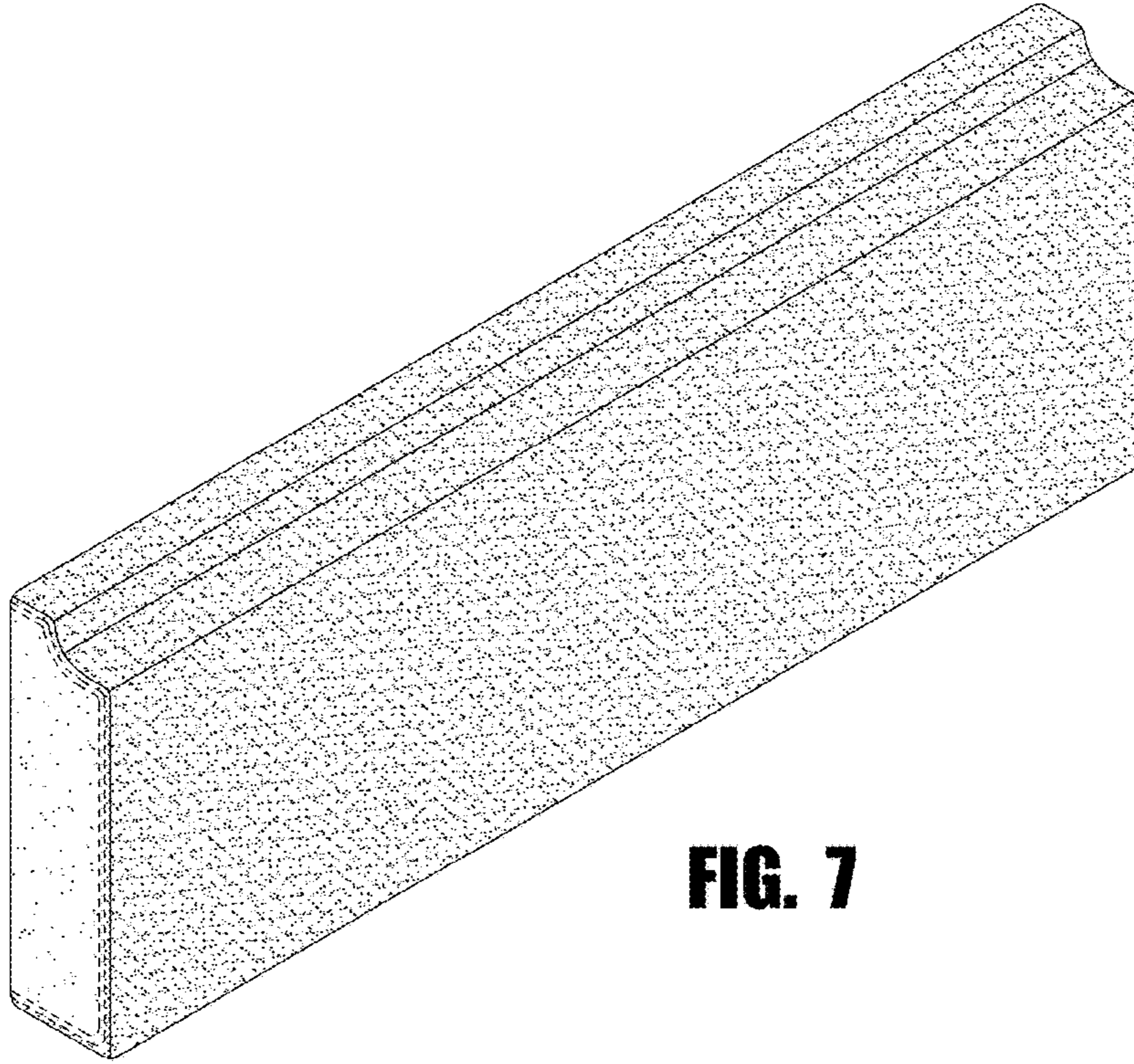
**FIG. 4**



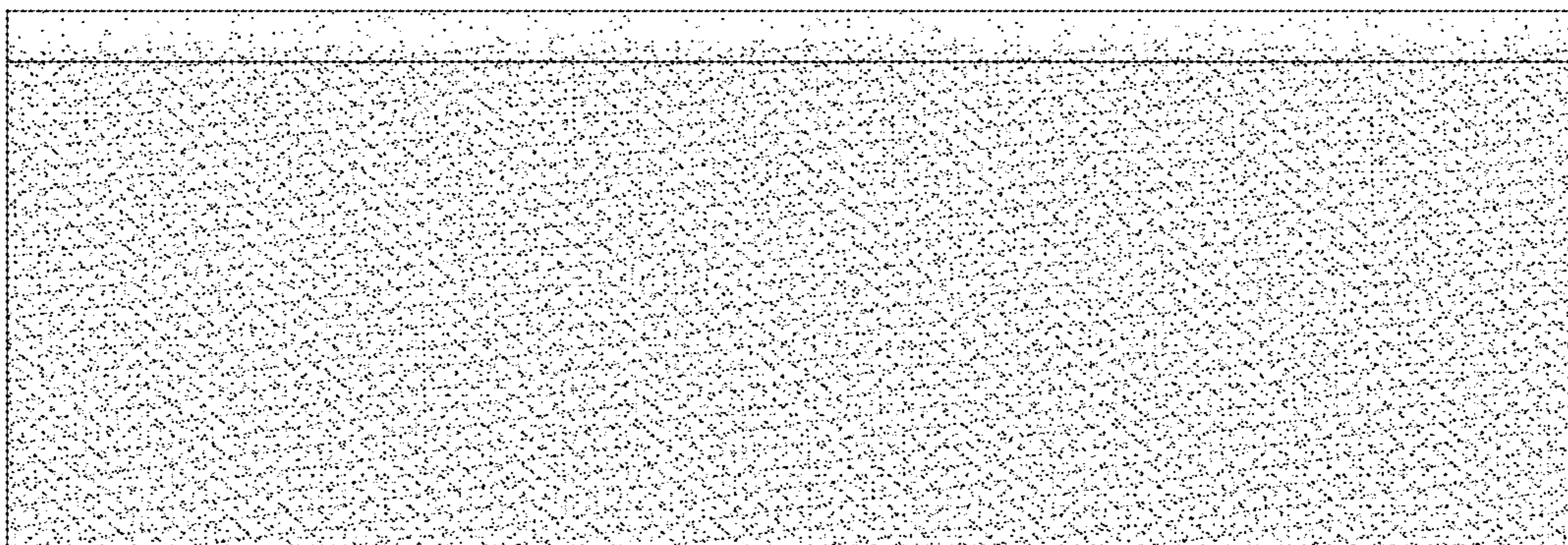
**FIG. 5**



**FIG. 6**



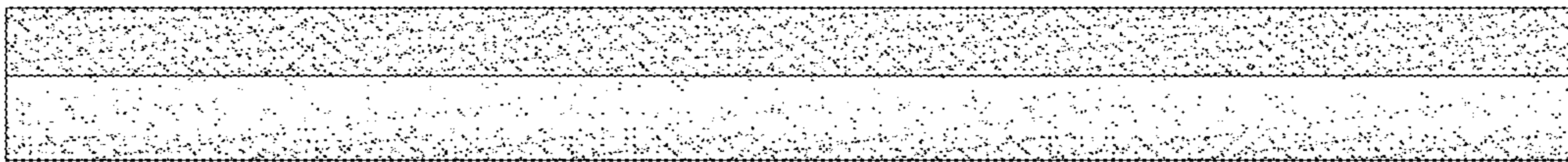
**FIG. 7**



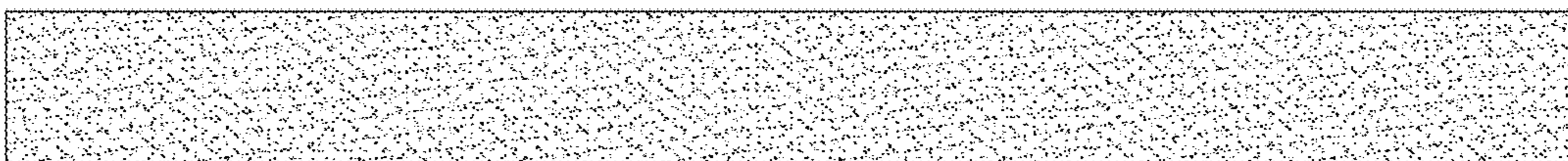
**FIG. 8**



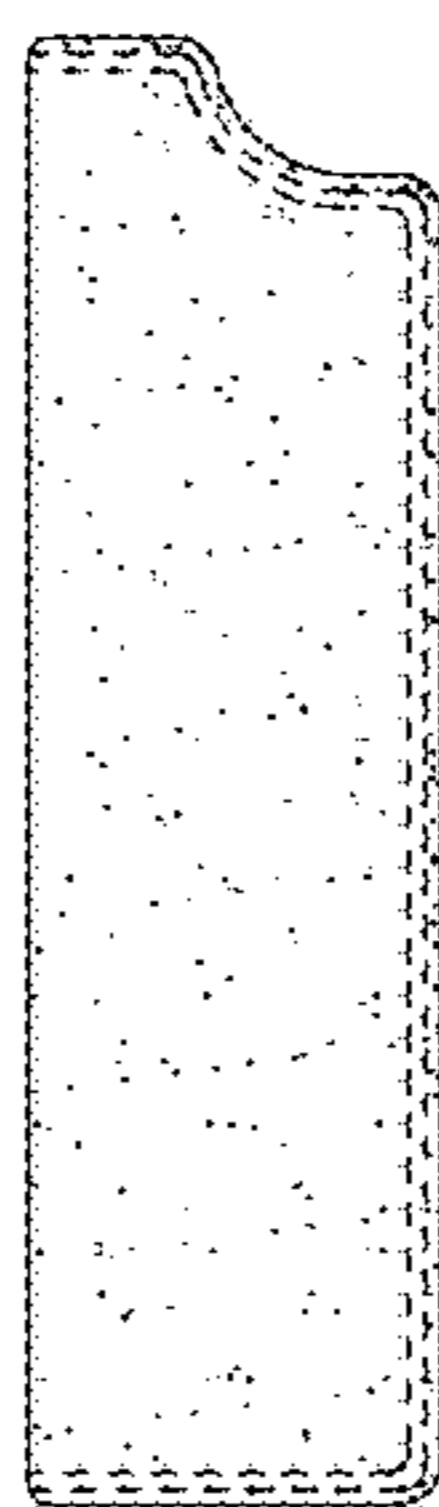
**FIG. 9**



**FIG. 10**



**FIG. 11**



**FIG. 12**