



US00D829931S

(12) **United States Design Patent** (10) **Patent No.:** **US D829,931 S**
Eliason et al. (45) **Date of Patent:** **** Oct. 2, 2018**

(54) **PAVER BRICK**

FOREIGN PATENT DOCUMENTS

(71) Applicant: **Paver Technologies LLC**, Vero Beach, FL (US)

CN 3412569 * 12/2004
KR 300382926.0000 * 6/2005
KR 300501372.0000 * 8/2008

(72) Inventors: **William Eliason**, Vero Beach, FL (US);
Timothy Berry, Vero Beach, FL (US)

* cited by examiner

(73) Assignee: **Paver Technologies LLC**, Vero Beach, FL (US)

Primary Examiner — Susan B Hattan

Assistant Examiner — Leanne D Was-Englehart

(**) Term: **15 Years**

(74) *Attorney, Agent, or Firm* — Troutman Sanders LLP;
James E. Schutz; Micah B. Hensley

(21) Appl. No.: **29/575,868**

(57) **CLAIM**

(22) Filed: **Aug. 30, 2016**

The ornamental design for a paver brick, as shown and described.

(51) **LOC (11) Cl.** **25-01**

(52) **U.S. Cl.**
USPC **D25/113**

(58) **Field of Classification Search**
USPC D21/483–486, 499, 500; D25/112–118,
D25/164
CPC E01C 19/52; C04B 14/06; C04B 28/04;
C04B 24/2635; C04B 22/0093
See application file for complete search history.

DESCRIPTION

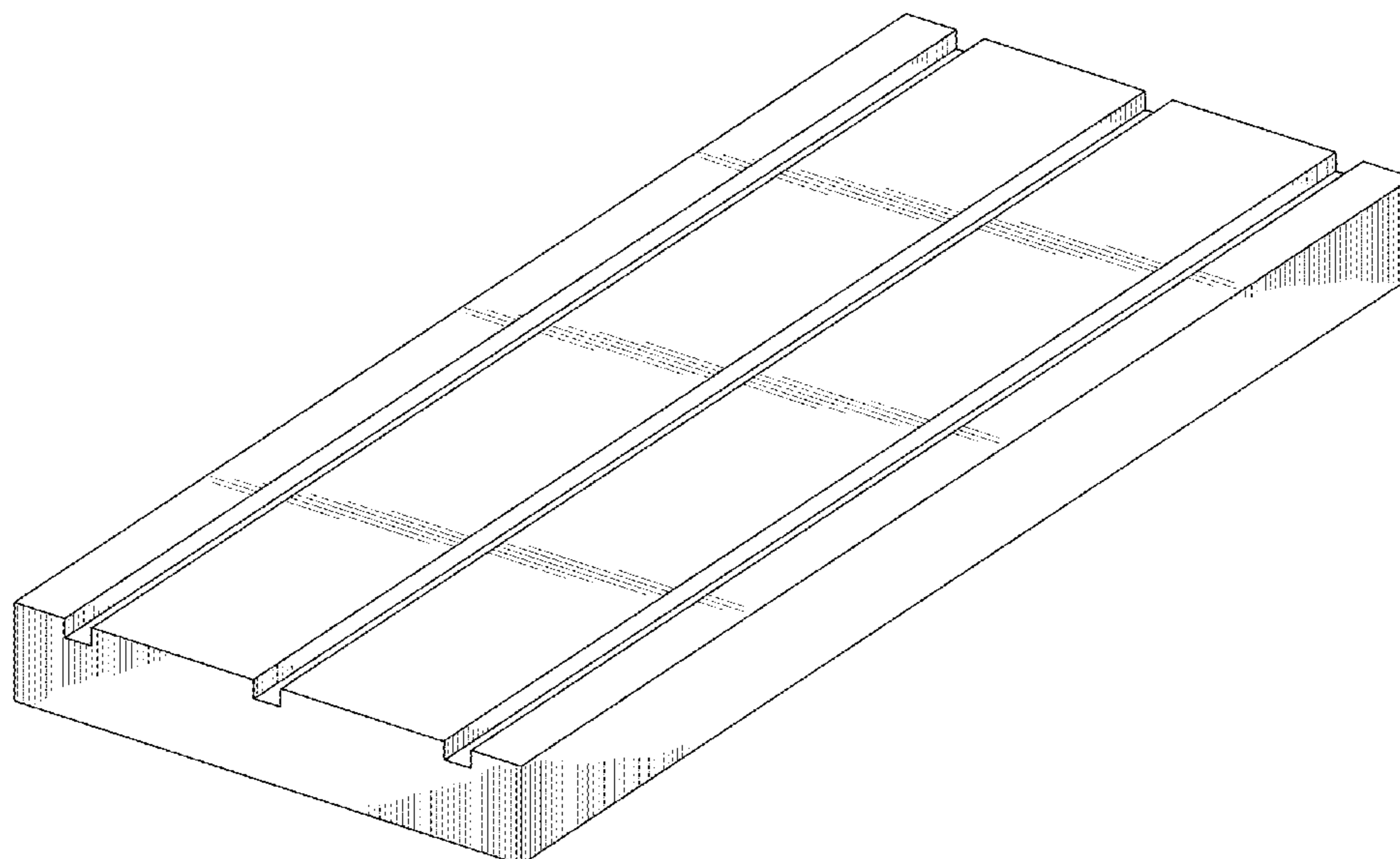
FIG. 1 is a perspective view of a bottom of a paver brick;
FIG. 2 is a perspective view of a top of the paver brick of
FIG. 1;
FIG. 3 is a bottom view of the paver brick of FIG. 1;
FIG. 4 is a front view of the paver brick of FIG. 1;
FIG. 5 is a rear view of the paver brick of FIG. 1;
FIG. 6 is a left side view of the paver brick of FIG. 1; and,
FIG. 7 is a top view of the paver brick of FIG. 1.
The right side view of the paver brick is a mirror image of
the left side view shown in FIG. 6 and is not shown. The
shading shown in the figures merely aids in the understand-
ing of the scope of the claim and is not part of the claim.

(56) **References Cited**

U.S. PATENT DOCUMENTS

150,710 A * 5/1874 Prindle E01C 5/00
404/19
D503,483 S * 3/2005 Williams D25/113
D579,577 S * 10/2008 Joseph D25/113
9,790,650 B1 * 10/2017 Eliason E01C 19/52
2018/0106003 A1 * 4/2018 Eliason C04B 14/06

1 Claim, 4 Drawing Sheets



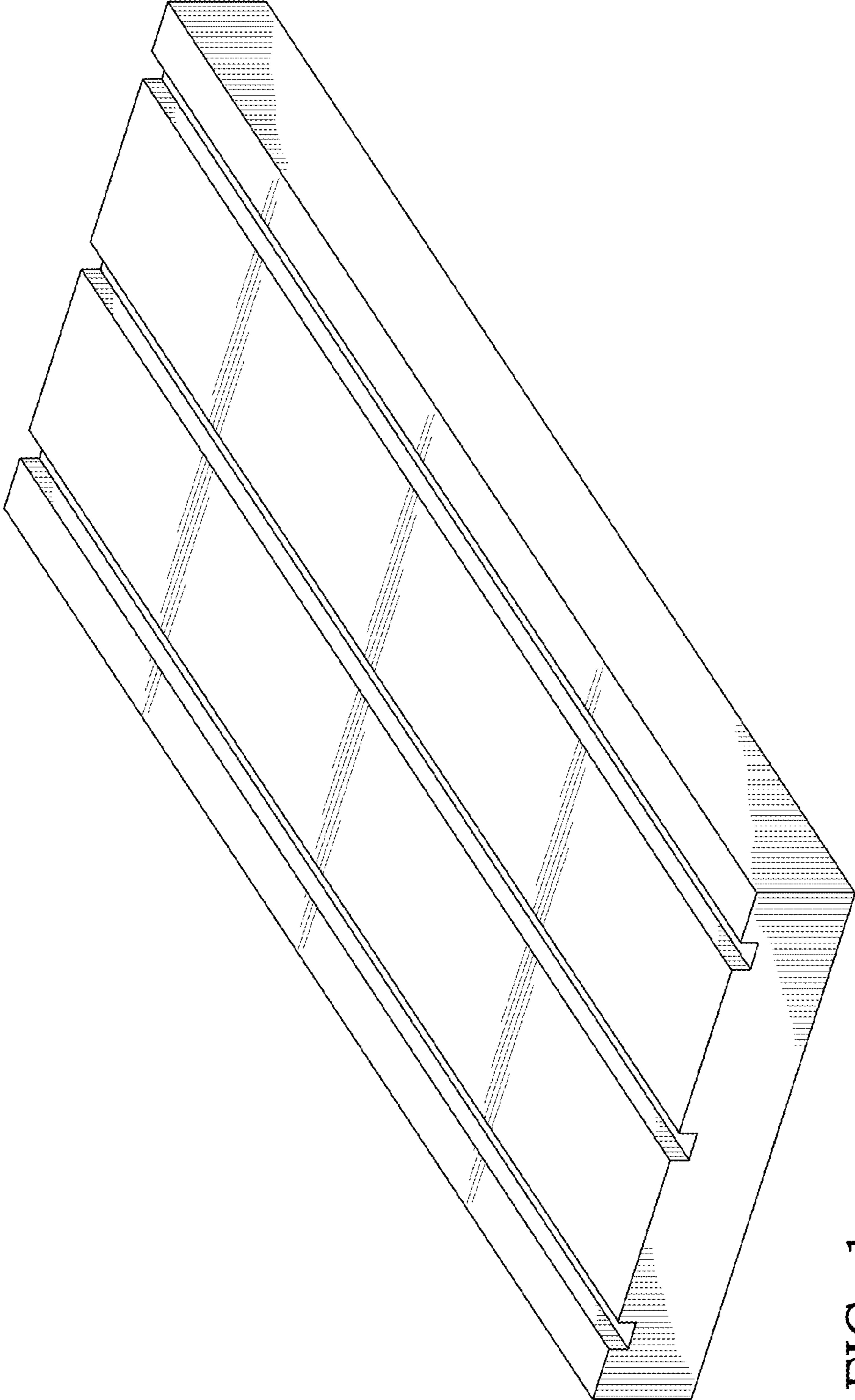


FIG. 1

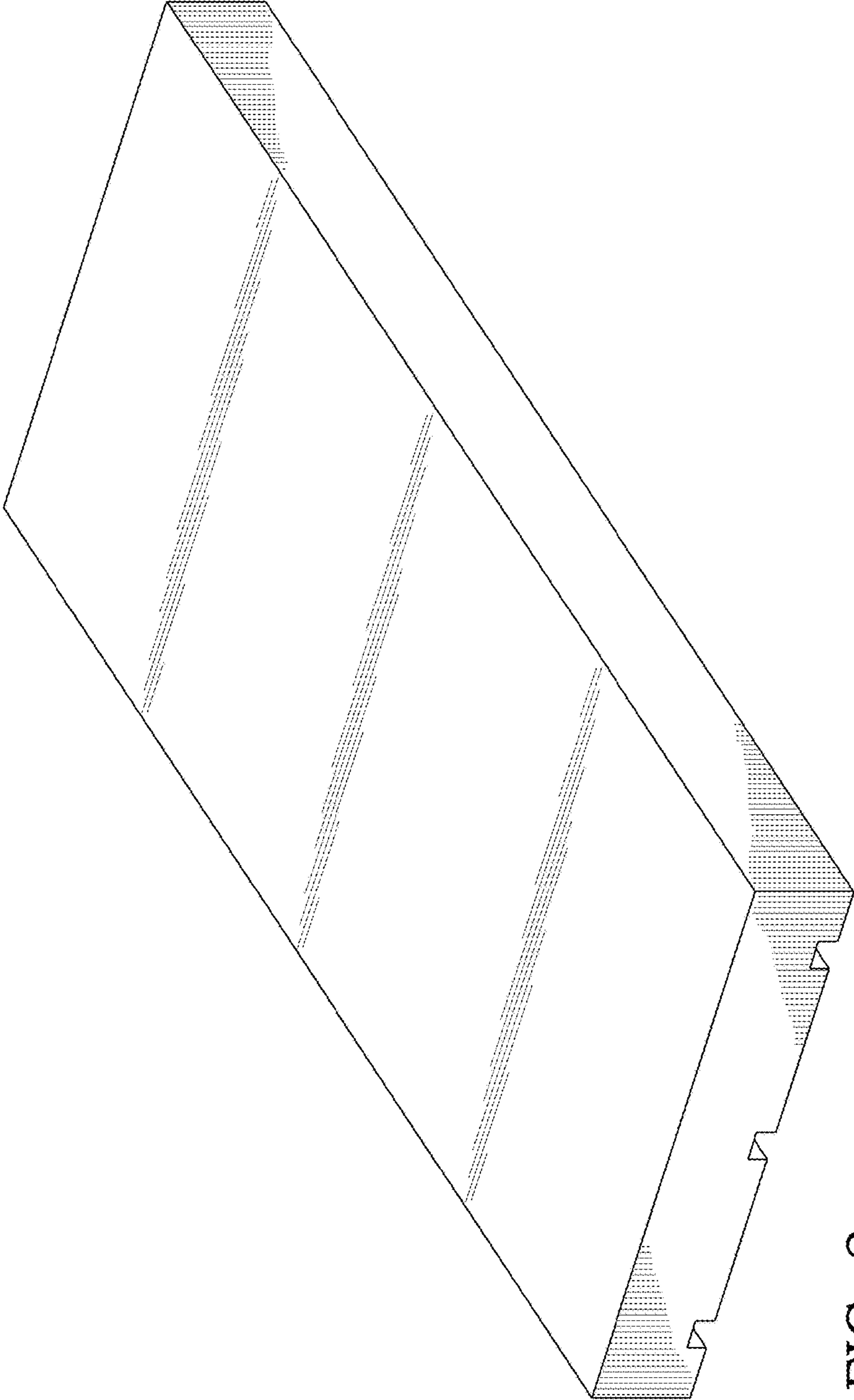


FIG. 2

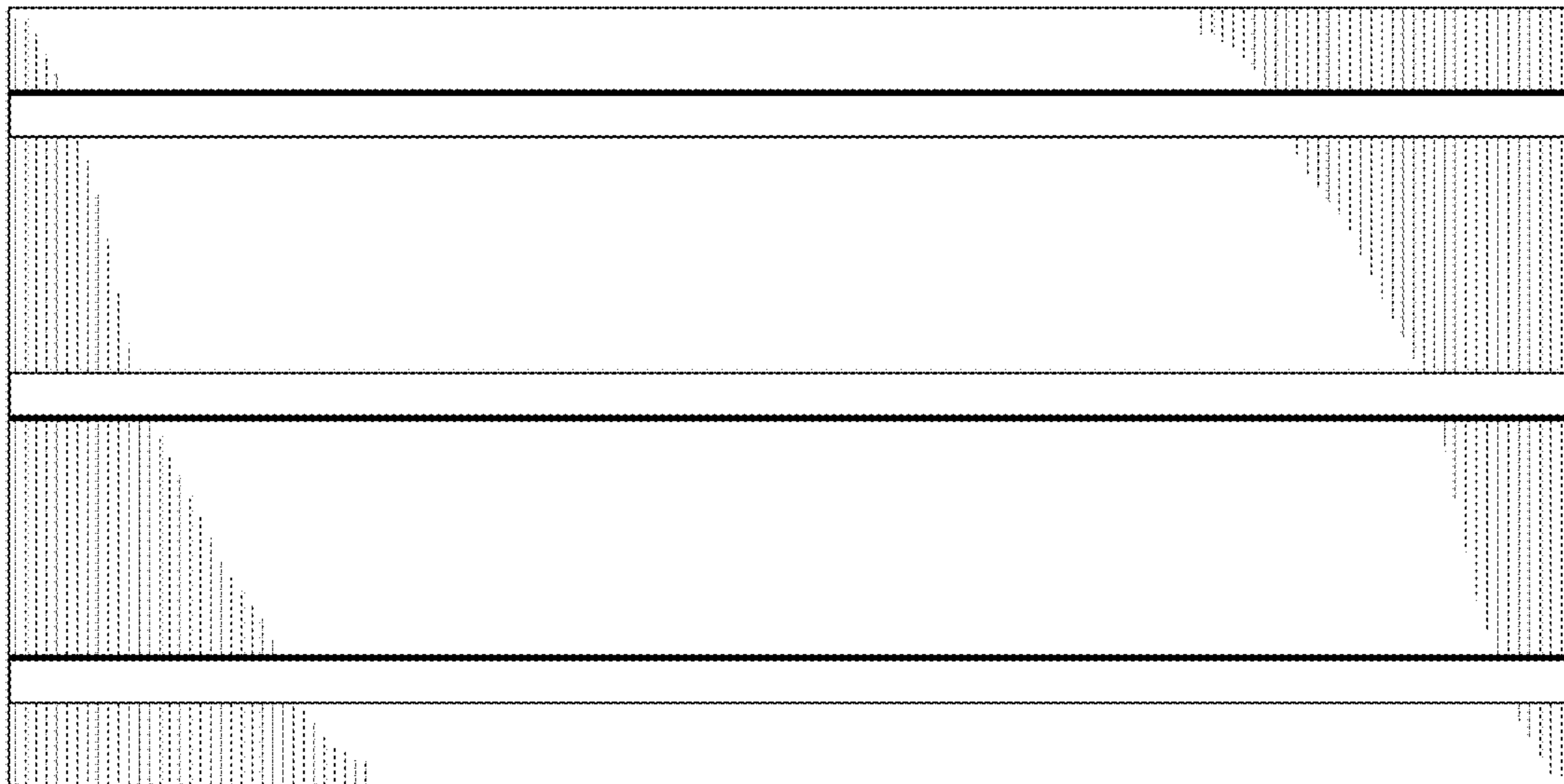


FIG. 3

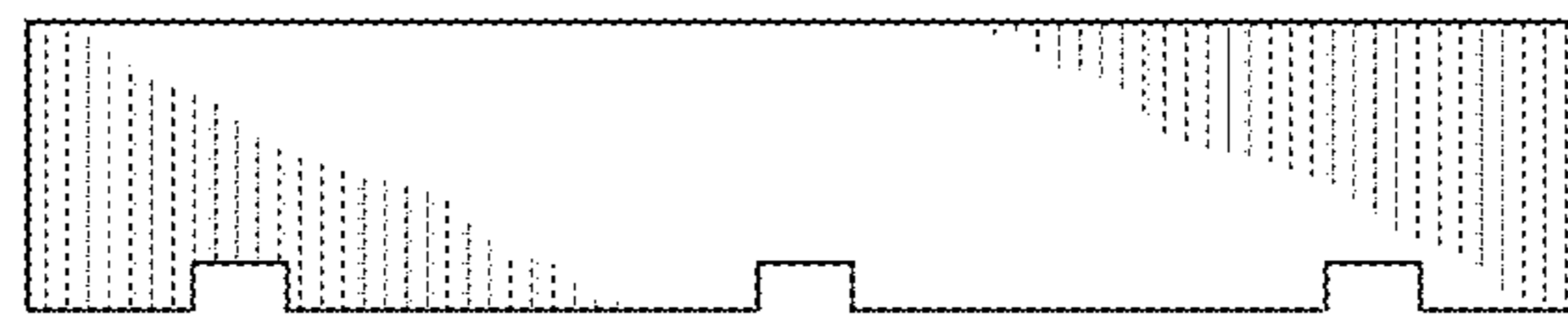


FIG. 4

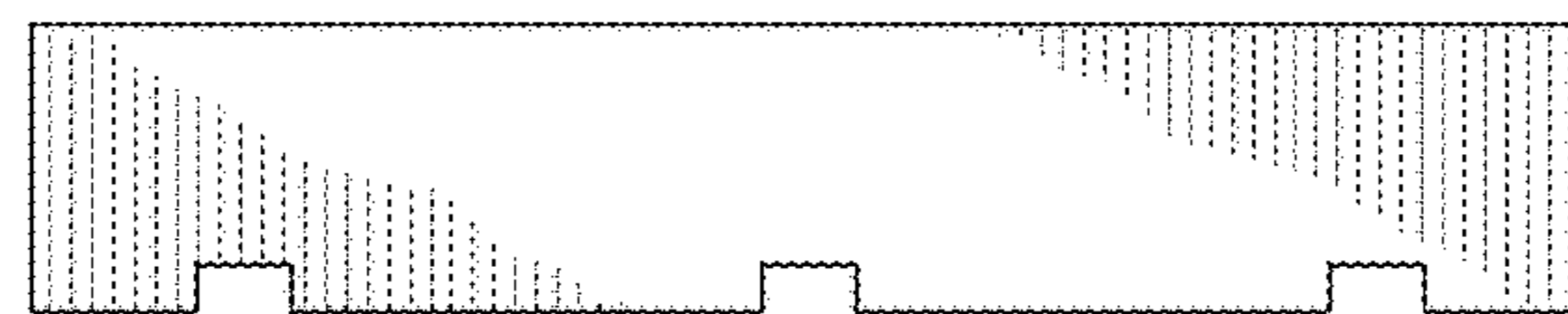


FIG. 5



FIG. 6



FIG. 7