

US00D829926S

(12) **United States Design Patent** (10) **Patent No.:** **US D829,926 S**  
**Avetsisiants** (45) **Date of Patent:** **\*\* Oct. 2, 2018**

(54) **RAILING** 5,639,069 A \* 6/1997 McClure ..... E04H 17/1408  
256/24  
(71) Applicant: **Raman Avetsisiants**, Cape May Court House, NJ (US) D528,668 S \* 9/2006 Wyatt ..... D25/126  
D571,482 S \* 6/2008 Wyatt ..... D25/38.1  
7,731,160 B2 6/2010 Terrels et al.  
7,744,065 B2 6/2010 Terrels et al.  
(72) Inventor: **Raman Avetsisiants**, Cape May Court House, NJ (US) (Continued)

(\*\*) Term: **15 Years**

(21) Appl. No.: **29/609,225**

(22) Filed: **Jun. 29, 2017**

**Related U.S. Application Data**

(63) Continuation-in-part of application No. 15/629,241, filed on Jun. 21, 2017.  
(51) **LOC (11) Cl.** ..... **25-02**  
(52) **U.S. Cl.**  
USPC ..... **D25/38.1**  
(58) **Field of Classification Search**  
USPC ..... D25/38.1, 39, 42, 43, 48.1, 48.5  
CPC ... B21D 39/044; E04F 11/1842; E04H 17/00;  
E04H 17/14; E04H 17/168; E04H  
2017/1452  
See application file for complete search history.

(56) **References Cited**

**U.S. PATENT DOCUMENTS**

421,165 A \* 2/1890 D'Arros et al. .... E06B 7/082  
454/224  
710,857 A \* 10/1902 Griesser ..... B01D 3/20  
261/114.1  
1,570,089 A \* 1/1926 Schwartzberg ..... E06B 7/082  
454/224  
1,728,498 A \* 9/1929 Mart ..... F28F 25/08  
261/DIG. 11  
1,818,438 A \* 8/1931 Tracy ..... E06B 7/084  
454/224  
2,397,458 A \* 4/1946 George ..... F24F 13/08  
261/111

**FOREIGN PATENT DOCUMENTS**

JP 1095513 \* 1/2001

**OTHER PUBLICATIONS**

[https://www.traderopes.com/image/cache/catalog/eksen/eksen\\_katalog\\_0033-1200x800.jpg](https://www.traderopes.com/image/cache/catalog/eksen/eksen_katalog_0033-1200x800.jpg) Retrieved Mar. 20, 2018 (Year: 2018).\*  
(Continued)

*Primary Examiner* — Susan Bennett Hattan  
*Assistant Examiner* — Leanne Was-Englehart  
(74) *Attorney, Agent, or Firm* — Dunlap Bennett & Ludwig PLLC

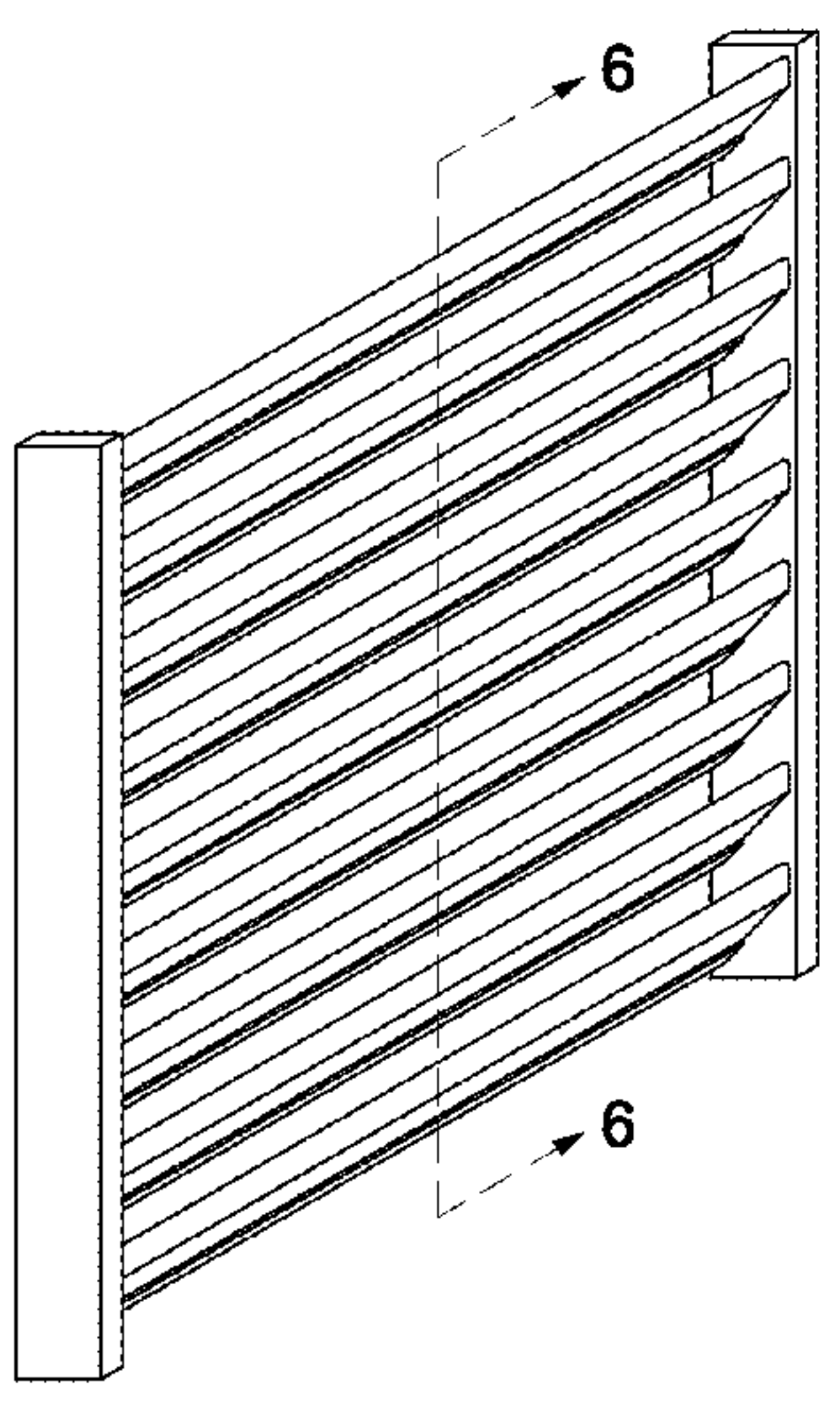
(57) **CLAIM**

The ornamental design for a railing, as shown and described.

**DESCRIPTION**

FIG. 1 is a perspective view of a railing;  
FIG. 2 is a top elevation view thereof;  
FIG. 3 is a front elevation view thereof;  
FIG. 4 is a rear elevation view thereof;  
FIG. 5 is a left side elevation view thereof, the right side elevation view being a mirror image thereof;  
FIG. 6 is a cross-section view taken along line 6-6 in FIG. 1; and,  
FIG. 7 is a perspective view thereof.  
The broken lines shown in the drawings depict portions of columns, hand rails and support rails that form no part of the claimed invention.

**1 Claim, 4 Drawing Sheets**



(56)

**References Cited**

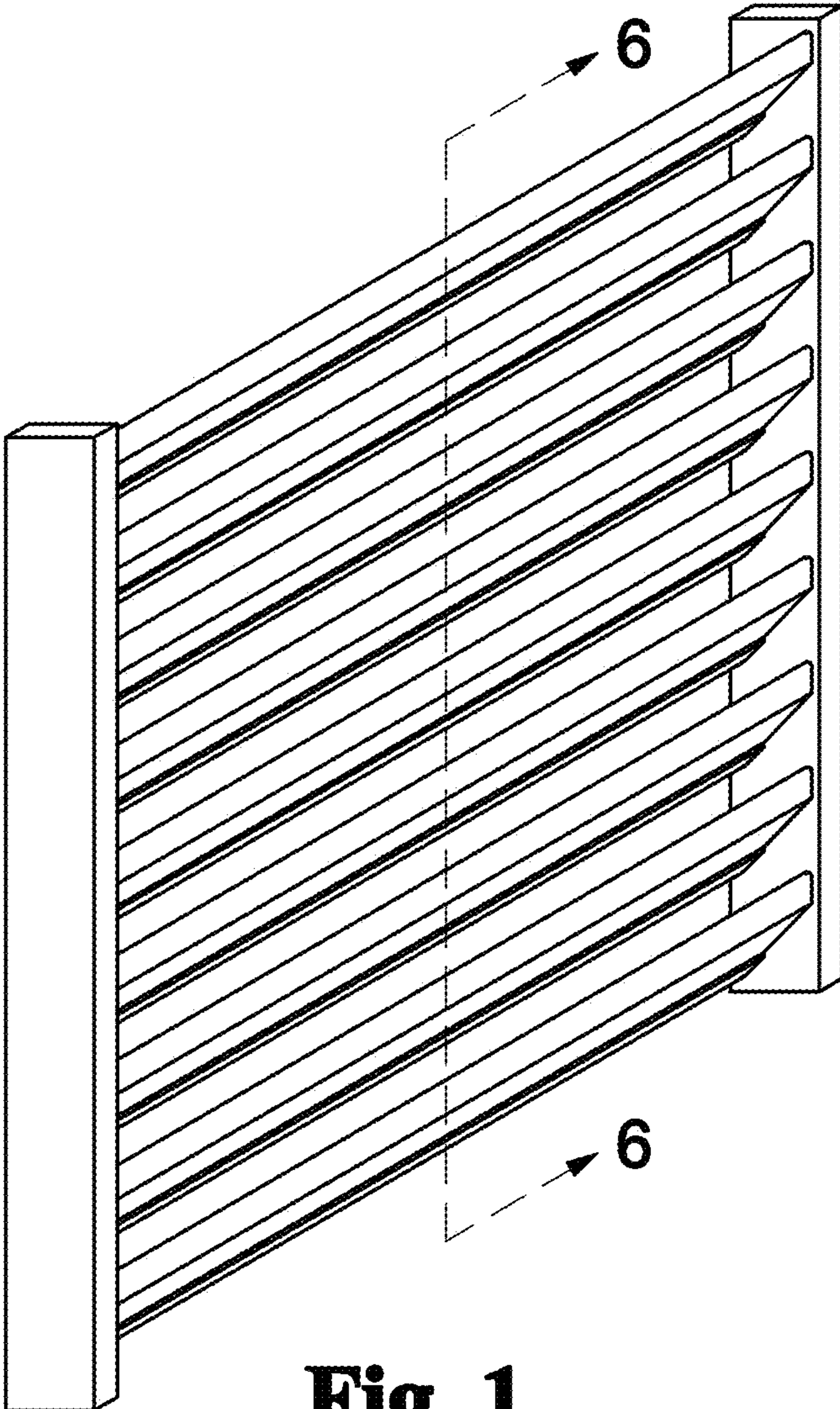
U.S. PATENT DOCUMENTS

8,794,598 B2 \* 8/2014 Carbines ..... E04H 17/168  
256/19  
D738,530 S \* 9/2015 Thomas ..... D25/38.1  
D780,323 S \* 2/2017 Wu ..... D25/39  
D784,558 S \* 4/2017 Wu ..... D25/38.1  
2005/0191466 A1 9/2005 Andrade  
2011/0198552 A1 8/2011 Umosella, III  
2011/0315941 A1 \* 12/2011 Carbines ..... E04H 17/168  
256/65.03

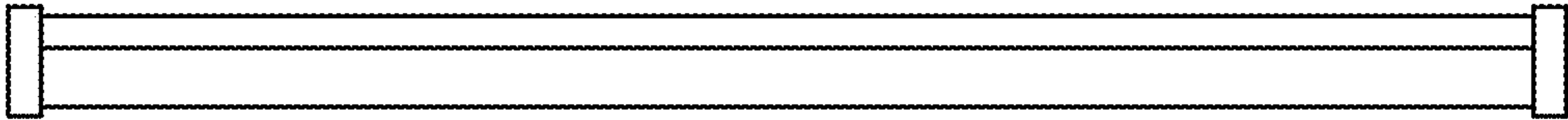
OTHER PUBLICATIONS

[http://www.mossoakfences.com/commercial\\_louver\\_vinyl\\_semi\\_privacy\\_fence.php](http://www.mossoakfences.com/commercial_louver_vinyl_semi_privacy_fence.php) Available Feb. 27, 2012 (Year: 2012).\*  
<http://www.thekimsixfix.com/2015/07/disguise-your-ac-with-diy-louvered.html> Posted Jul. 2015 (Year: 2015).\*

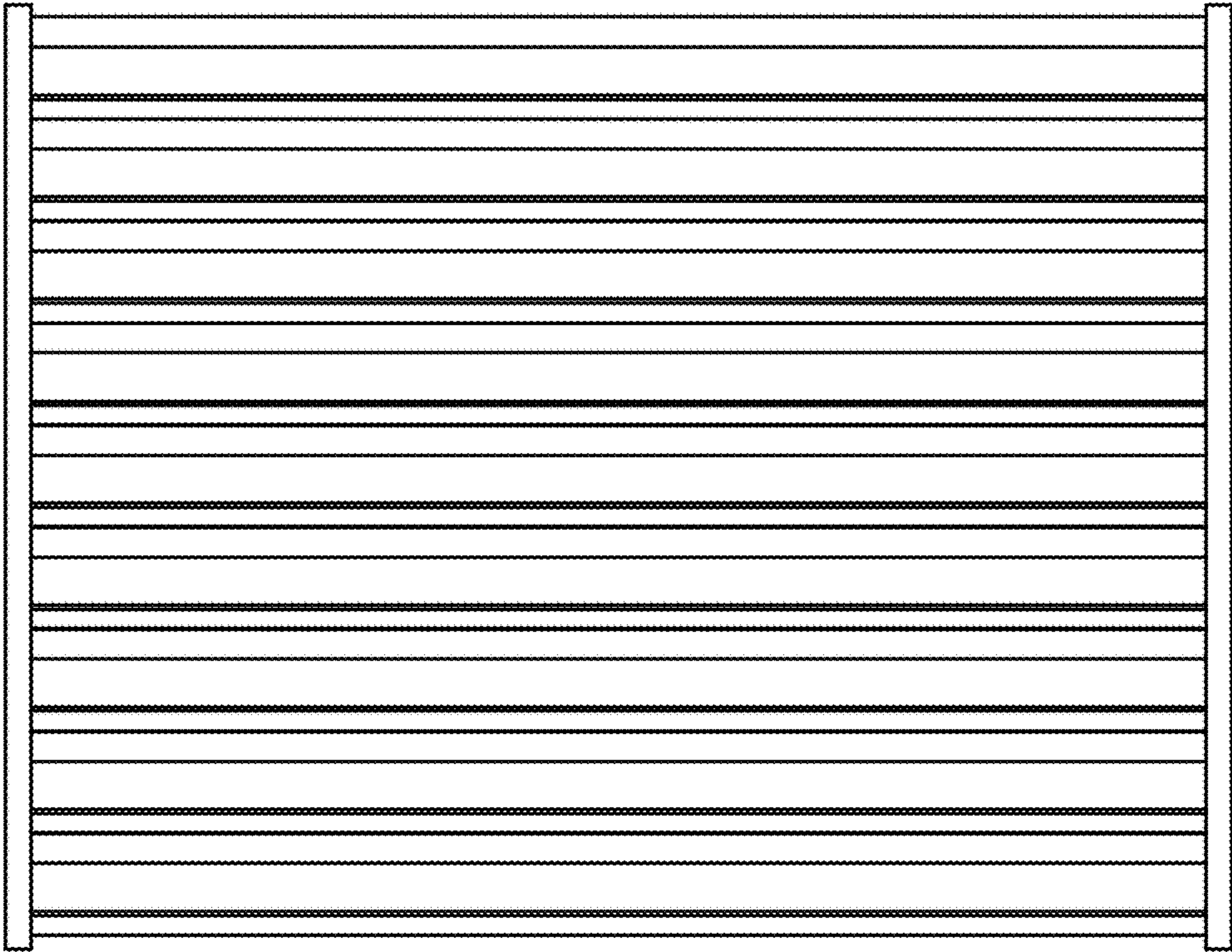
\* cited by examiner



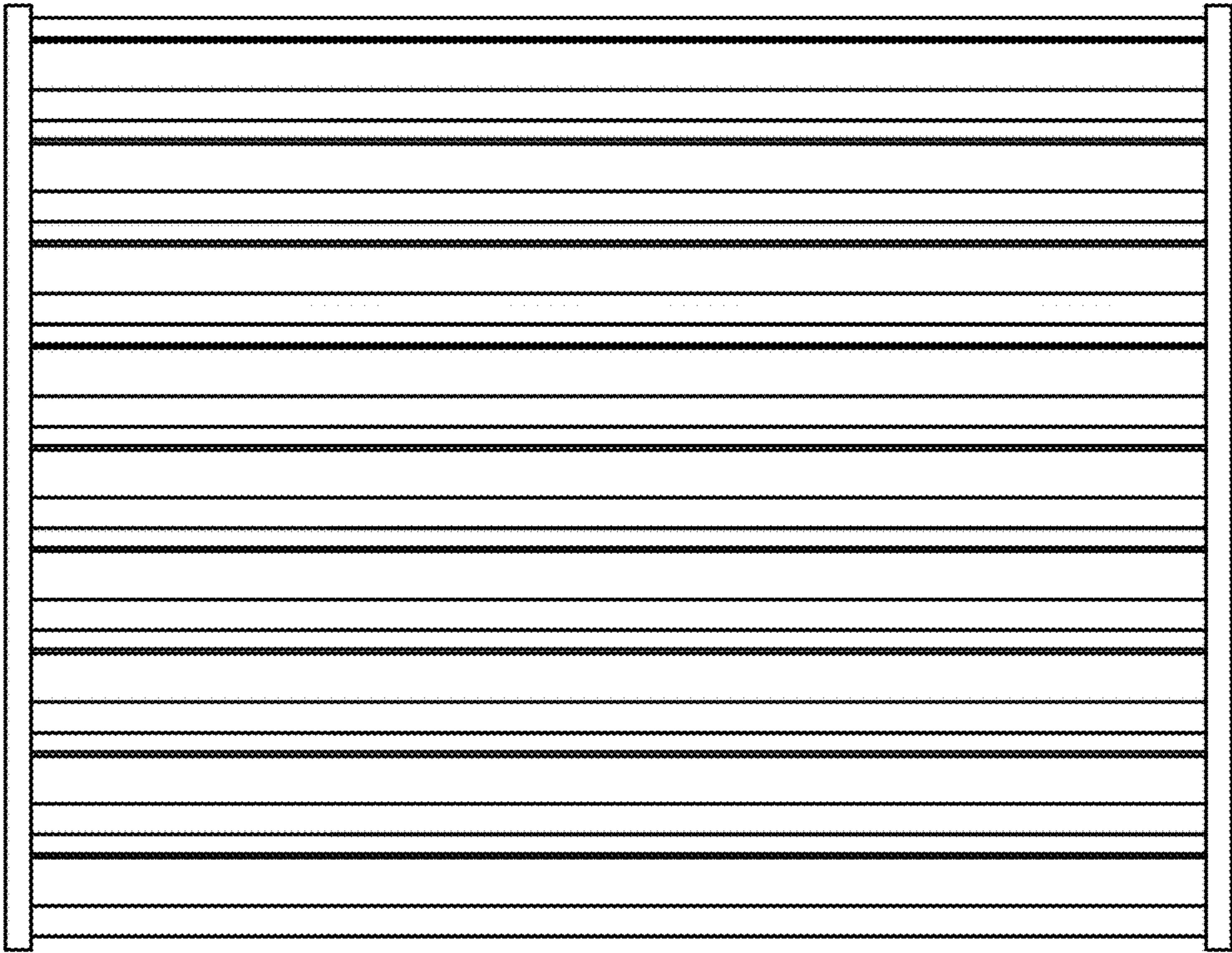
**Fig. 1**



**Fig. 2**



**Fig. 3**

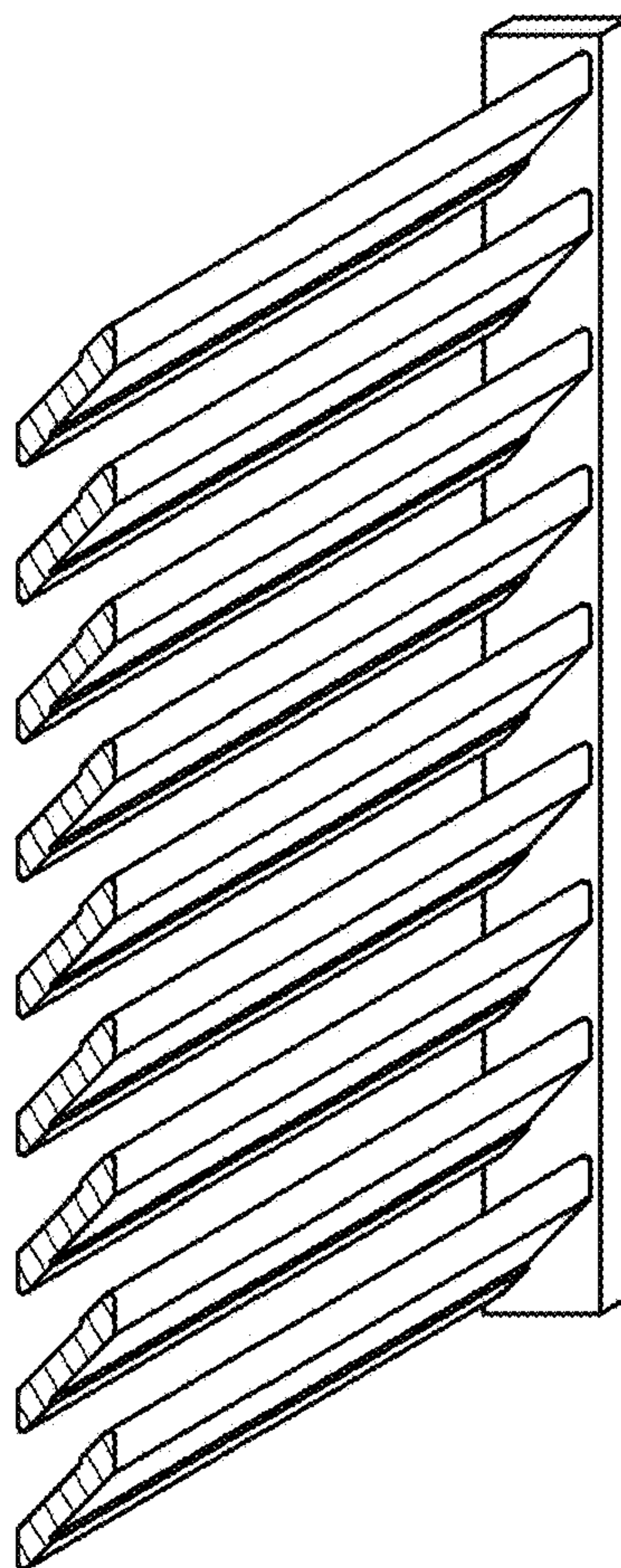


**Fig. 4**

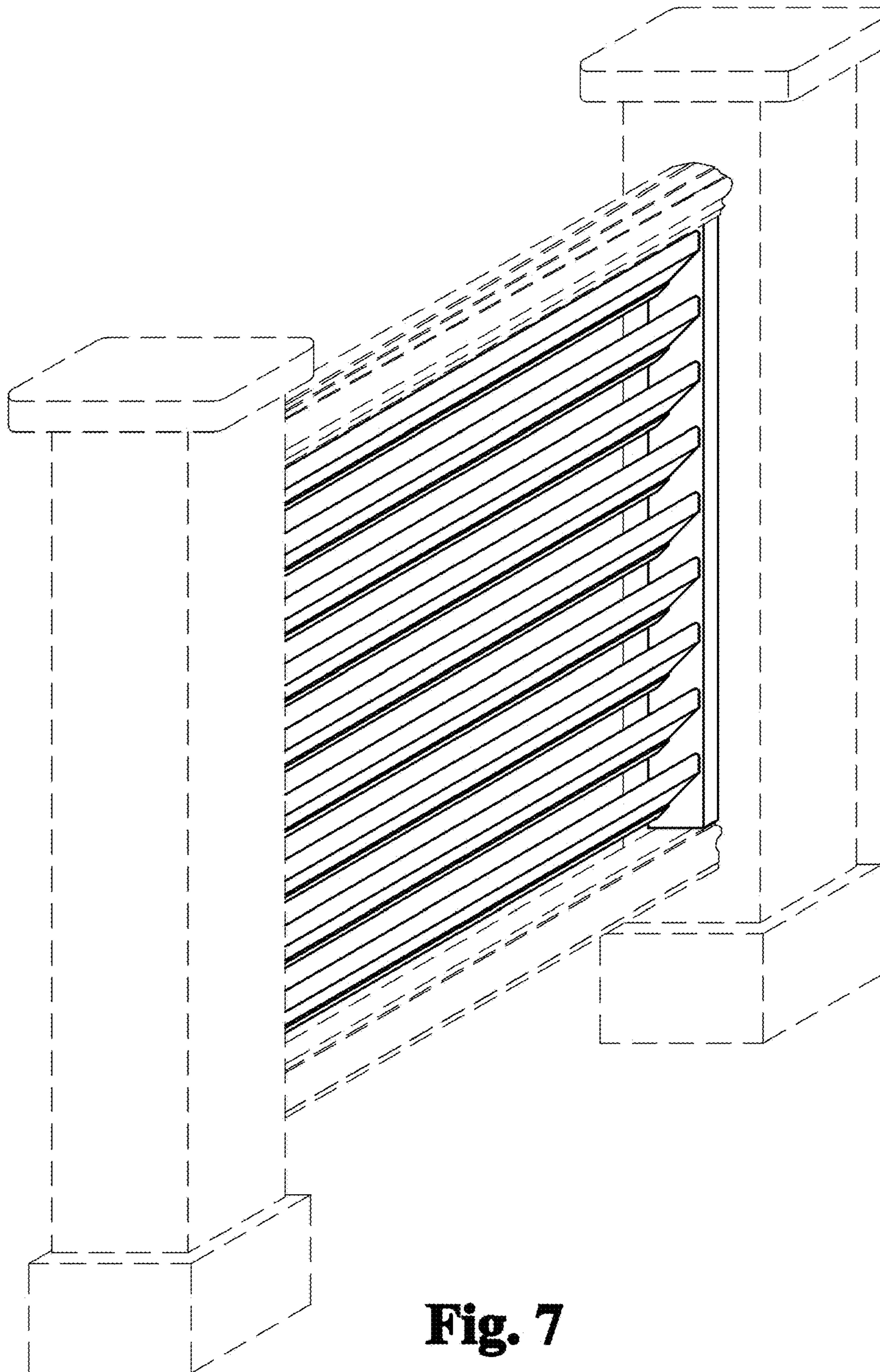




**Fig. 5**



**Fig. 6**



**Fig. 7**