



US00D829923S

(12) **United States Design Patent** (10) **Patent No.:** **US D829,923 S**
Unger et al. (45) **Date of Patent:** **** Oct. 2, 2018**

(54) **CONTAINER FOR PROVIDING REAGENTS**

CPC . B65F 1/00; B65F 1/02; B65F 1/0233; B65D 23/00

(71) Applicant: **LIFE TECHNOLOGIES CORPORATION**, Carlsbad, CA (US)

See application file for complete search history.

(72) Inventors: **Axel Unger**, Munich (DE); **Nicole Busch**, Oldendorf (DE); **Tom Hynek**, Greiveldange (LU); **Fredrik Aidehag**, Stockholm (SE); **Todd Pelman**, San Francisco, CA (US); **Martin Naley**, Winchester, MA (US); **Elgin Meike Toepfer Taylor**, San Francisco, CA (US)

(56) **References Cited**

U.S. PATENT DOCUMENTS

1,633,618 A 6/1927 Thomas
D101,590 S 10/1936 Patterson
D110,477 S 7/1938 Carpenter
(Continued)

FOREIGN PATENT DOCUMENTS

EP 0141104 5/1985
EP 0393174 6/1995
(Continued)

OTHER PUBLICATIONS

“Colour Coded lab bottle-caps”, *Chemistry and Industry*, Jun. 2000, 1 page.

(Continued)

Primary Examiner — Susan B Hattan
Assistant Examiner — Rebecca Tsehaye

(57) **CLAIM**

The ornamental design for a container for providing reagents, as shown and described.

DESCRIPTION

FIG. 1 is a front view of a container for providing reagents of our new design;
FIG. 2 is a left side view thereof;
FIG. 3 is a front view thereof;
FIG. 4 is a top view thereof; and,
FIG. 5 is a bottom view thereof.
The portions of the features depicted in broken lines are not part of the claimed design.

1 Claim, 4 Drawing Sheets

(73) Assignee: **Life Technologies Corporation**, Carlsbad, CA (US)

(**) Term: **15 Years**

(21) Appl. No.: **29/552,677**

(22) Filed: **Jan. 25, 2016**

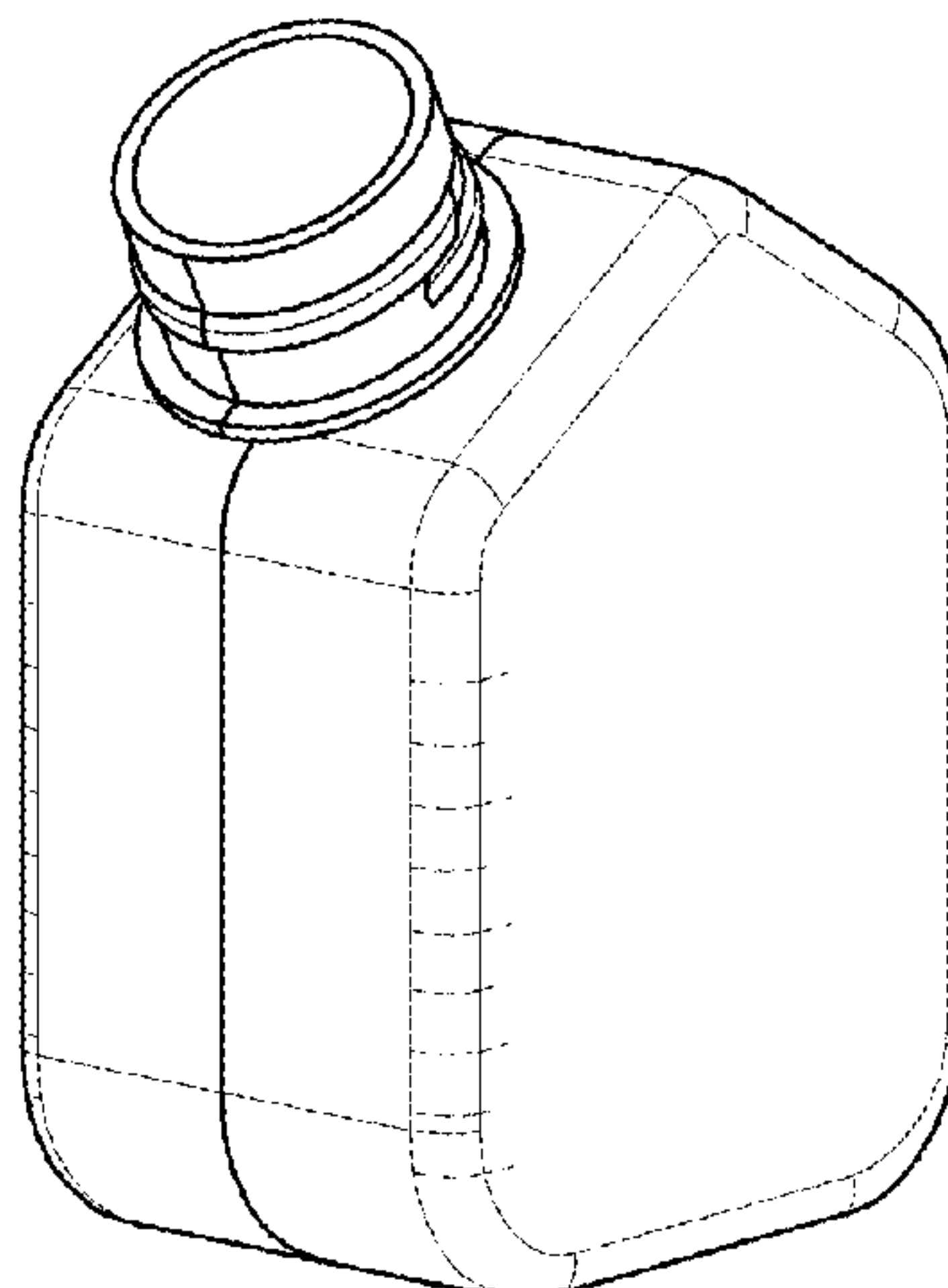
Related U.S. Application Data

(63) Continuation of application No. 15/001,047, filed on Jan. 19, 2016, now abandoned, which is a continuation of application No. 13/664,266, filed on Oct. 30, 2012, now Pat. No. 9,272,896, which is a continuation of application No. 11/497,093, filed on Aug. 1, 2006, now Pat. No. 8,329,470, application No. 29/552,677, which is a continuation of application No. 12/135,988, filed on Jun. 9, 2008, now Pat. No. 8,652,424, which is a continuation of application No. 11/497,093, filed on Aug. 1, 2006, now Pat. No. 8,329,470.

(51) **LOC (11) Cl.** **24-02**

(52) **U.S. Cl.**
USPC **D24/224**

(58) **Field of Classification Search**
USPC D24/224, 216, 107, 231, 232; D9/547, D9/523, 516, 560, 569, 572-575; 215/40, 215/43, 365



(56)

References Cited

U.S. PATENT DOCUMENTS

2,135,239 A 11/1938 Patterson
 D124,054 S 12/1940 Ansell
 2,560,761 A 7/1951 Ferguson
 2,858,036 A 10/1958 Earle et al.
 2,920,777 A 1/1960 Cole
 3,033,375 A 5/1962 Cole
 D200,969 S 4/1965 Wildgen
 3,449,210 A 6/1969 Rohde
 3,702,806 A 11/1972 Oliva
 D234,042 S 1/1975 Barton
 D238,331 S 1/1976 Meierhoefer
 D247,092 S 1/1978 Evangelista et al.
 D264,127 S * 4/1982 Peterson D24/224
 4,534,483 A 8/1985 Kassis et al.
 4,707,337 A 11/1987 Jeffs et al.
 D292,968 S * 12/1987 Darr D9/520
 D294,557 S * 3/1988 Jones D9/523
 4,770,854 A 9/1988 Lyman
 4,851,351 A 7/1989 Akamine
 D302,658 S 8/1989 Grinde
 4,858,776 A 8/1989 Mehra
 4,883,180 A 11/1989 Humphrey et al.
 4,935,371 A 6/1990 Rickloff
 D309,080 S 7/1990 Buchholz
 5,002,199 A 3/1991 Frahm
 5,011,032 A 4/1991 Rollman
 D328,431 S 8/1992 Skidmore et al.
 D337,863 S 7/1993 Bowell
 D343,093 S 1/1994 Sabin et al.
 D343,766 S 2/1994 Bastidos
 D347,554 S 6/1994 Wingate et al.
 D356,504 S * 3/1995 Saltz D9/523
 D359,361 S 6/1995 Swift et al.
 5,570,802 A 11/1996 Wang et al.
 D379,520 S 5/1997 Stevens et al.
 D379,521 S 5/1997 Stevens et al.
 5,681,748 A 10/1997 DiSorbo et al.
 5,693,537 A 12/1997 Wilson et al.
 5,783,440 A 7/1998 Stevens
 5,793,440 A 8/1998 Nakasaka
 5,861,306 A 1/1999 Pugh et al.
 5,924,583 A 7/1999 Stevens et al.
 6,190,878 B1 2/2001 Pierson et al.
 6,210,959 B1 4/2001 Lodri et al.
 6,322,242 B1 11/2001 Lang et al.
 D454,788 S 3/2002 Pezzoli et al.
 6,508,801 B1 1/2003 Fineberg

6,669,910 B1 12/2003 Bienhaus et al.
 D490,318 S * 5/2004 Ferguson D9/526
 6,818,438 B2 11/2004 Muser
 D540,174 S 4/2007 Lux
 D548,612 S 8/2007 Berman
 D586,221 S 2/2009 Shaikh
 D586,656 S 2/2009 Mount et al.
 D606,413 S * 12/2009 Dammkoehler D9/541
 D668,772 S * 10/2012 Shanler D24/224
 D685,497 S * 7/2013 Kenney D24/224
 D706,645 S * 6/2014 Jennings D9/535
 D761,116 S * 7/2016 Berger D9/563
 D784,817 S * 4/2017 Heisner D9/523
 D786,077 S * 5/2017 Chung D23/211
 D795,701 S * 8/2017 Engelen D9/453
 D797,382 S * 9/2017 Haelters D30/121
 D798,721 S * 10/2017 Duke D9/527
 2004/0106191 A1 6/2004 Muser et al.
 2007/0031963 A1 2/2007 Chang et al.

FOREIGN PATENT DOCUMENTS

GB 2007544 5/1979
 GB 2027982 2/1980
 JP 3051314 6/1998
 JP 2002-297922 10/2002
 JP 2005-110542 4/2005

OTHER PUBLICATIONS

“Fisher Biotechnology Catalog”, 1995, 248, 3 pages.
 “Fisher Catalog”, May 2004, 186 & 201.
 “Fisher Catalog”, May 2004, 201 & 242.
 “Food and Drug Packaging”, May 2004, 1 page.
 Cox, R. P. et al., “Alkaline Phosphate Content and the Effects of Prednisolone on Mammalian Cells in Culture”, *The Journal of General Physiology*, 1962, 439-485.
 EP068005073, “Extended European Search Report dated May 6, 2010”.
 EP09180494.8, “Extended European Search Report dated May 7, 2010”.
 Park, P., “A Better Bottle; Turning to Yeast for Human Antibodies; An Open-Source Alternative to SMD”, *The Scientist*, vol. 17; Issue 20, Oct. 20, 2003, 33, 4 pages.
 PCT/US06/29584, “International Search Report and Written Opinion dated Aug. 8, 2007”, 12 pages.
 WO2007016421, “Subsequent International Search Report dated Oct. 25, 2007”, Oct. 25, 2007.

* cited by examiner

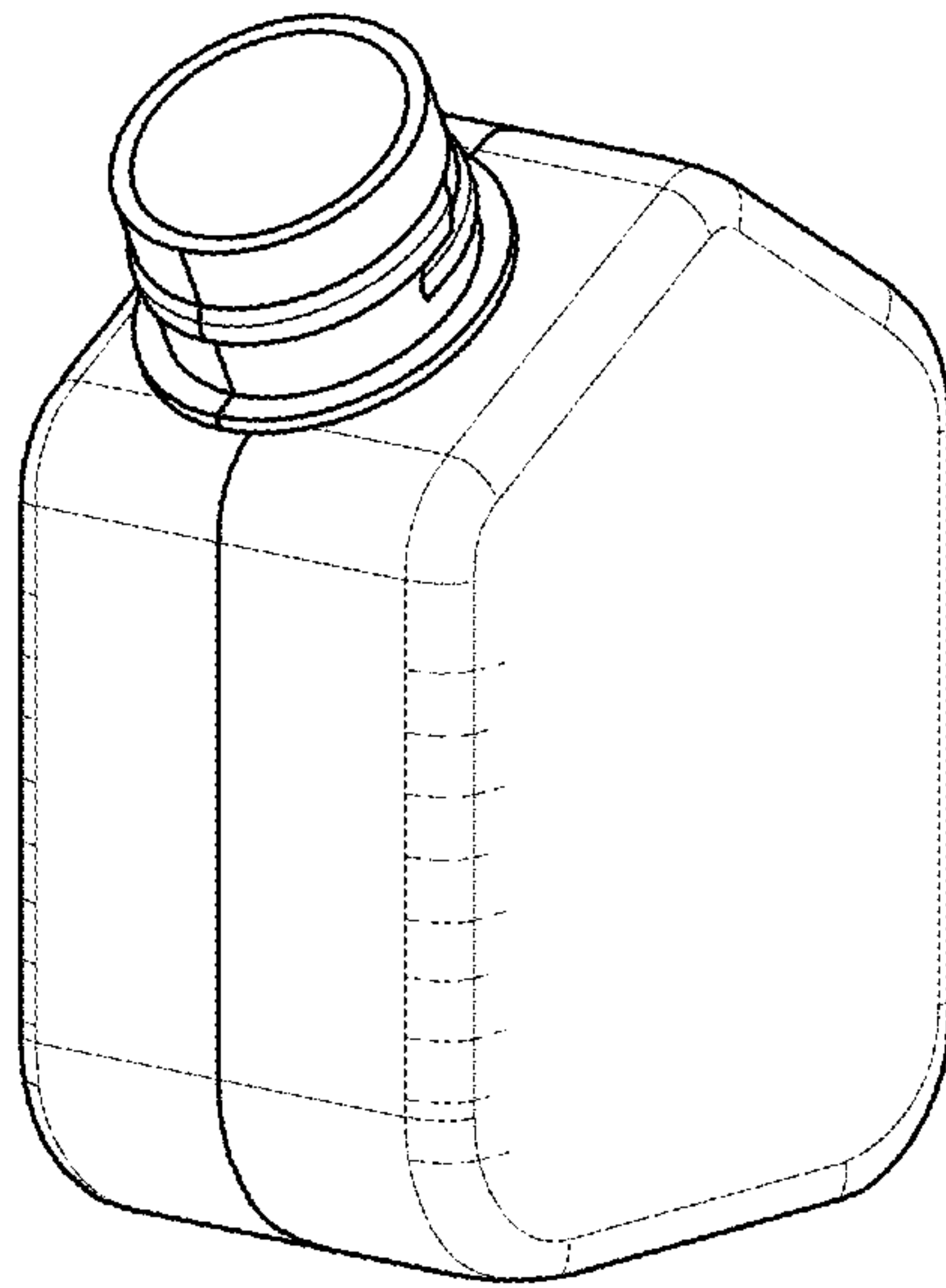


FIG. 1

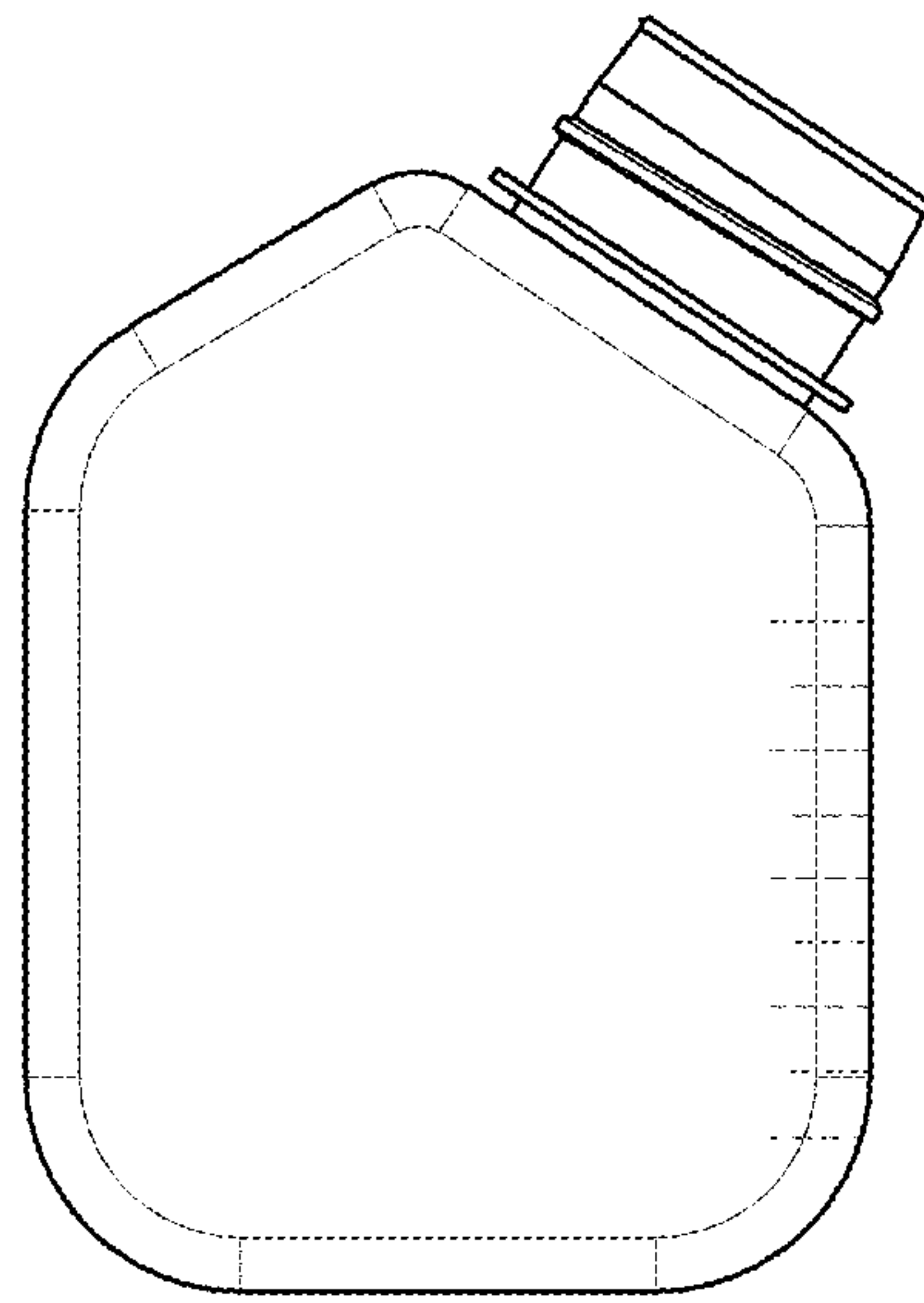


FIG. 2

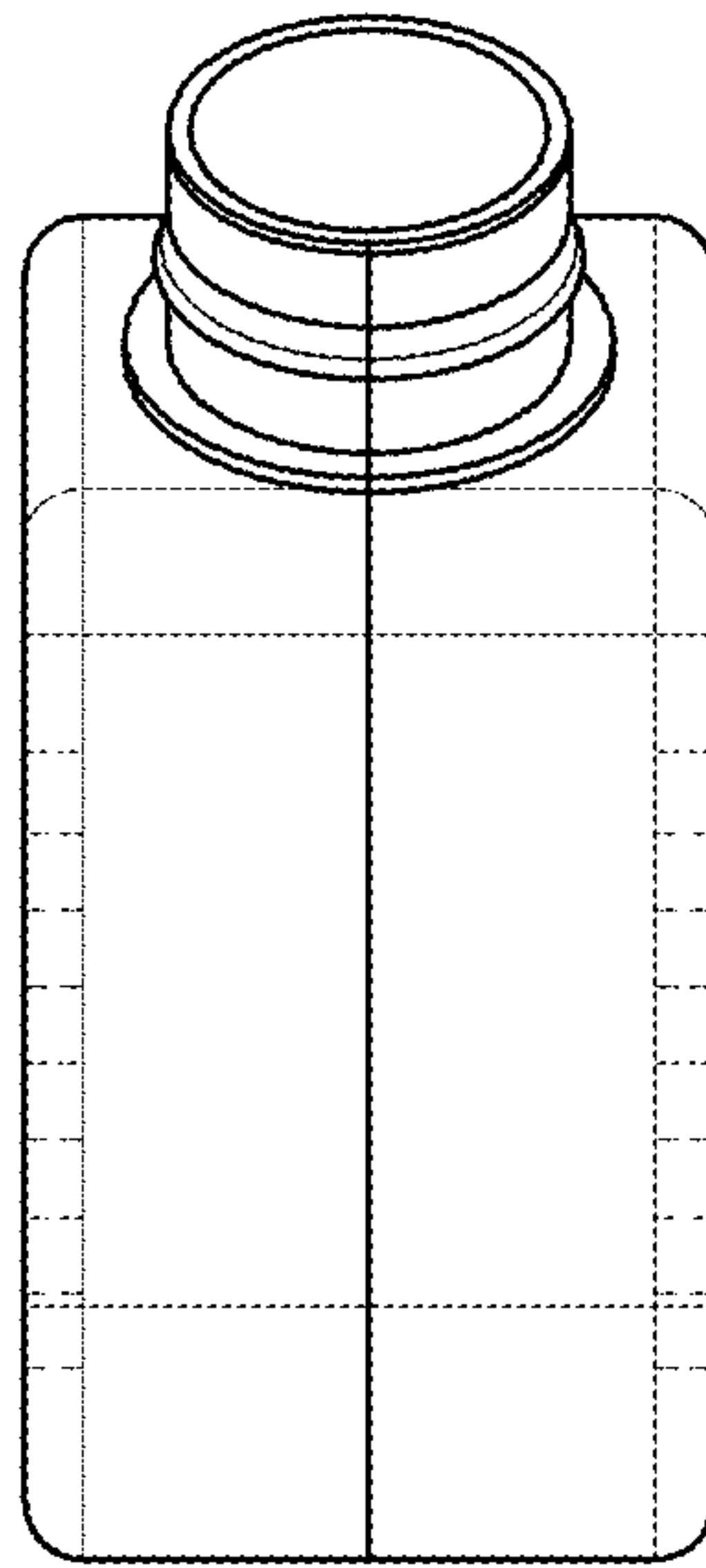


FIG. 3

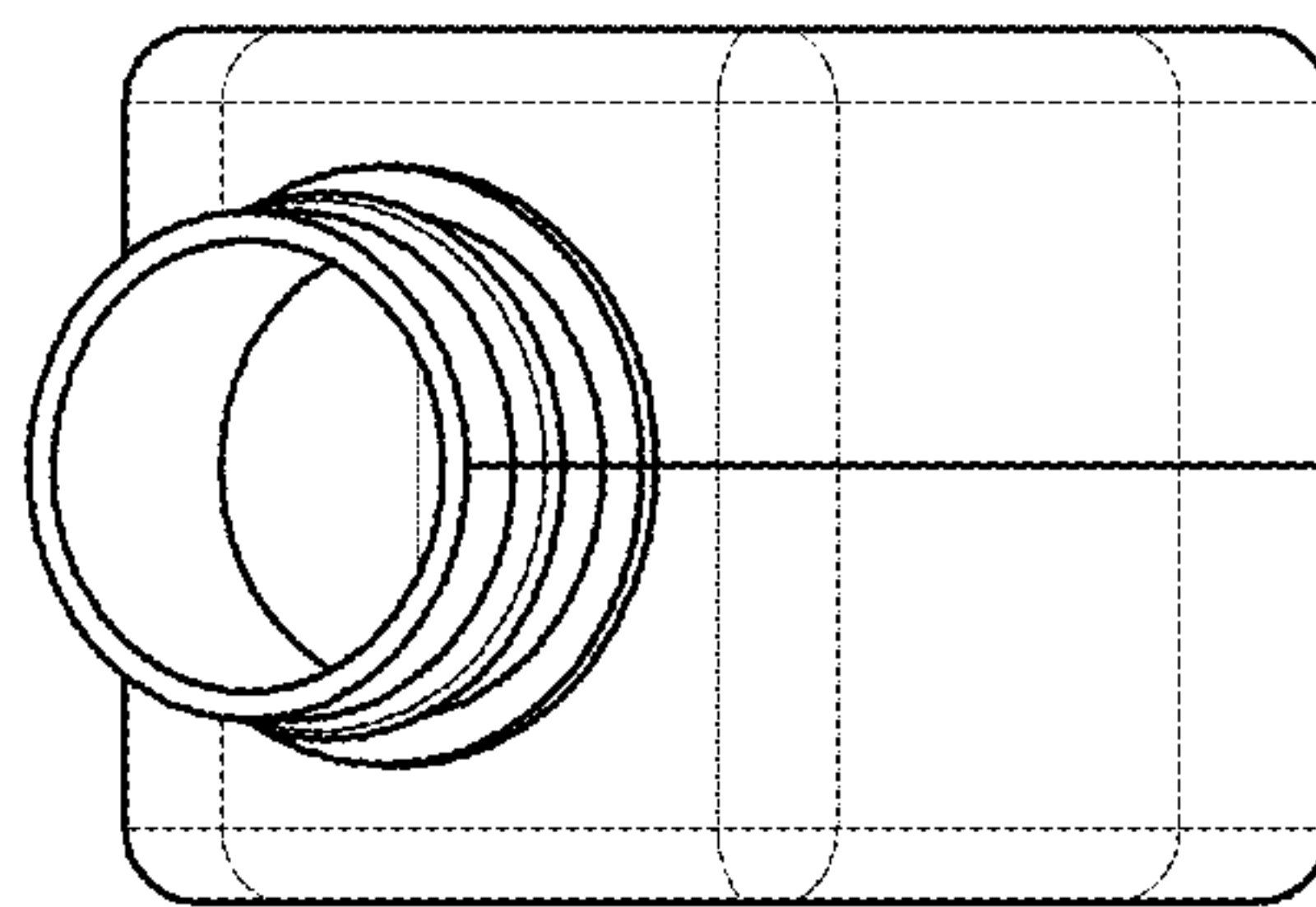


FIG. 4

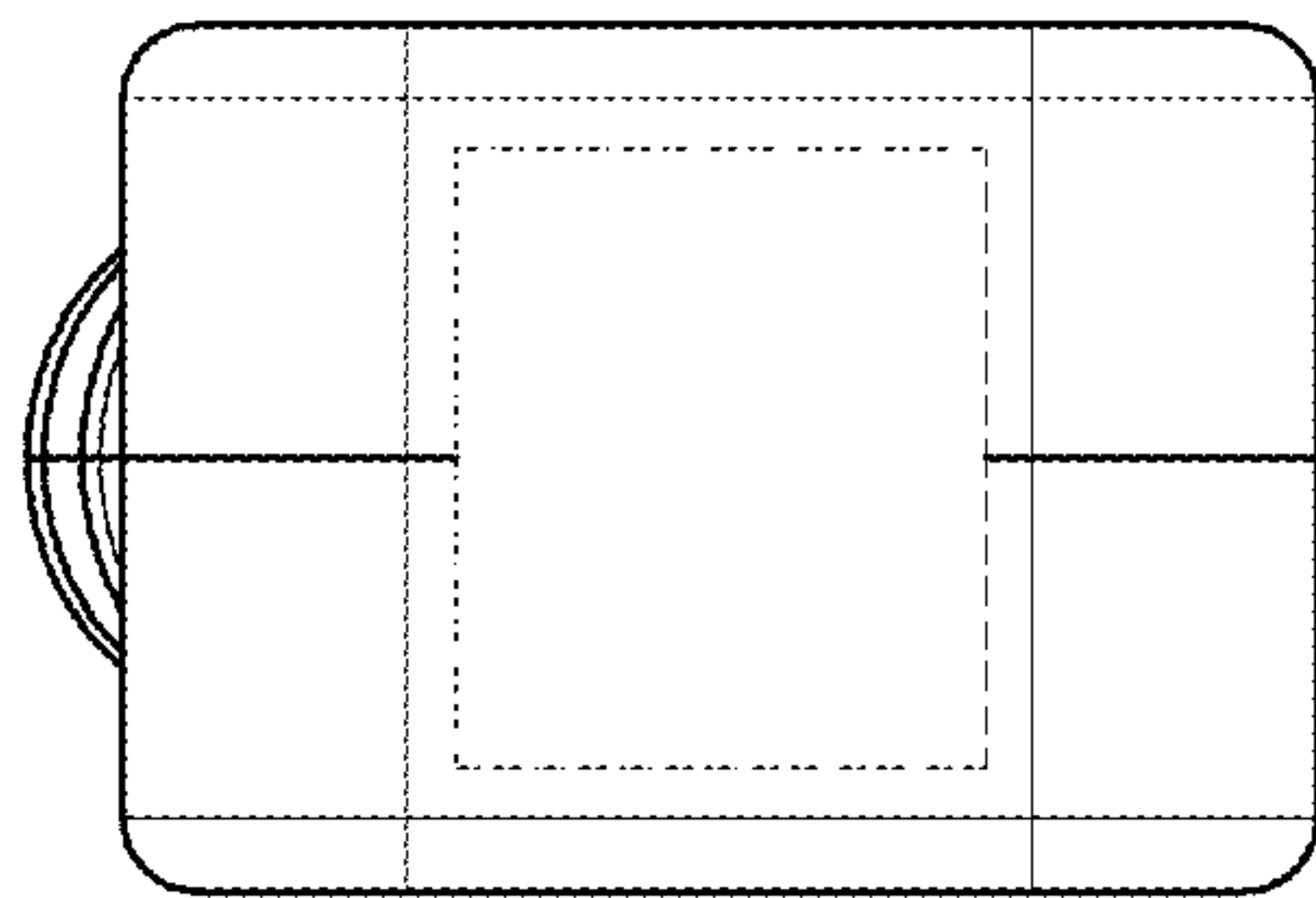


FIG. 5