



US00D829920S

(12) **United States Design Patent** (10) **Patent No.: US D829,920 S**
Carpinelli (45) **Date of Patent: ** Oct. 2, 2018**

(54) **MESSAGE ROLLER**

(71) Applicant: **Implus Footcare, LLC**, Durham, NC
(US)

(72) Inventor: **Angelo Carpinelli**, Morrisville, NC
(US)

(73) Assignee: **IMPLUS FOOTCARE LLC**, Durham,
NC (US)

(**) Term: **15 Years**

D281,816 S * 12/1985 Conn, Sr. D24/211
5,143,056 A * 9/1992 Yih-Jong A61H 15/00
601/118

D361,132 S * 8/1995 Lee D24/200
D396,111 S * 7/1998 Chien D24/211
D417,319 S 11/1999 Weiss, Jr.
6,129,687 A * 10/2000 Powell A61H 15/02
220/4.07

D448,646 S * 10/2001 Sargentelli D8/303
6,398,694 B1 * 6/2002 Bountourakis A63B 21/015
482/109

D475,464 S * 6/2003 Chen D24/211

(Continued)

(21) Appl. No.: **29/650,760**

(22) Filed: **Jun. 8, 2018**

(51) **LOC (11) Cl.** **28-03**

(52) **U.S. Cl.**
USPC **D24/211**

(58) **Field of Classification Search**
USPC D24/200, 211, 212, 213, 214, 215;
601/19, 22, 40, 46, 52, 63, 99, 110–113,
601/118–120, 125, DIG. 12, DIG. 14,
601/DIG. 15, DIG. 16, DIG. 17
CPC A61H 1/00; A61H 2015/0007; A61H
2015/0014; A61H 2015/0042; A61H
15/00; A61H 11/00; A61H 21/00; A61H
37/00
See application file for complete search history.

(56) **References Cited**
U.S. PATENT DOCUMENTS

810,885	A *	1/1906	Saighman	601/19
D101,862	S *	11/1936	Fehn et al.	482/132
2,446,099	A	7/1948	Niblack		
3,419,268	A *	12/1968	Bellet	A61H 15/00 482/132
D228,967	S *	10/1973	Holladay	D24/211
D253,373	S	11/1979	Celeste		
D274,468	S *	6/1984	Perry	D24/211
D279,406	S *	6/1985	Shiu	D24/211

FOREIGN PATENT DOCUMENTS

CA	2 964 387	A2	5/2015
CN	105764466	A	7/2016

(Continued)

Primary Examiner — Sandra Snapp
(74) *Attorney, Agent, or Firm* — Buchanan Ingersoll &
Rooney PC

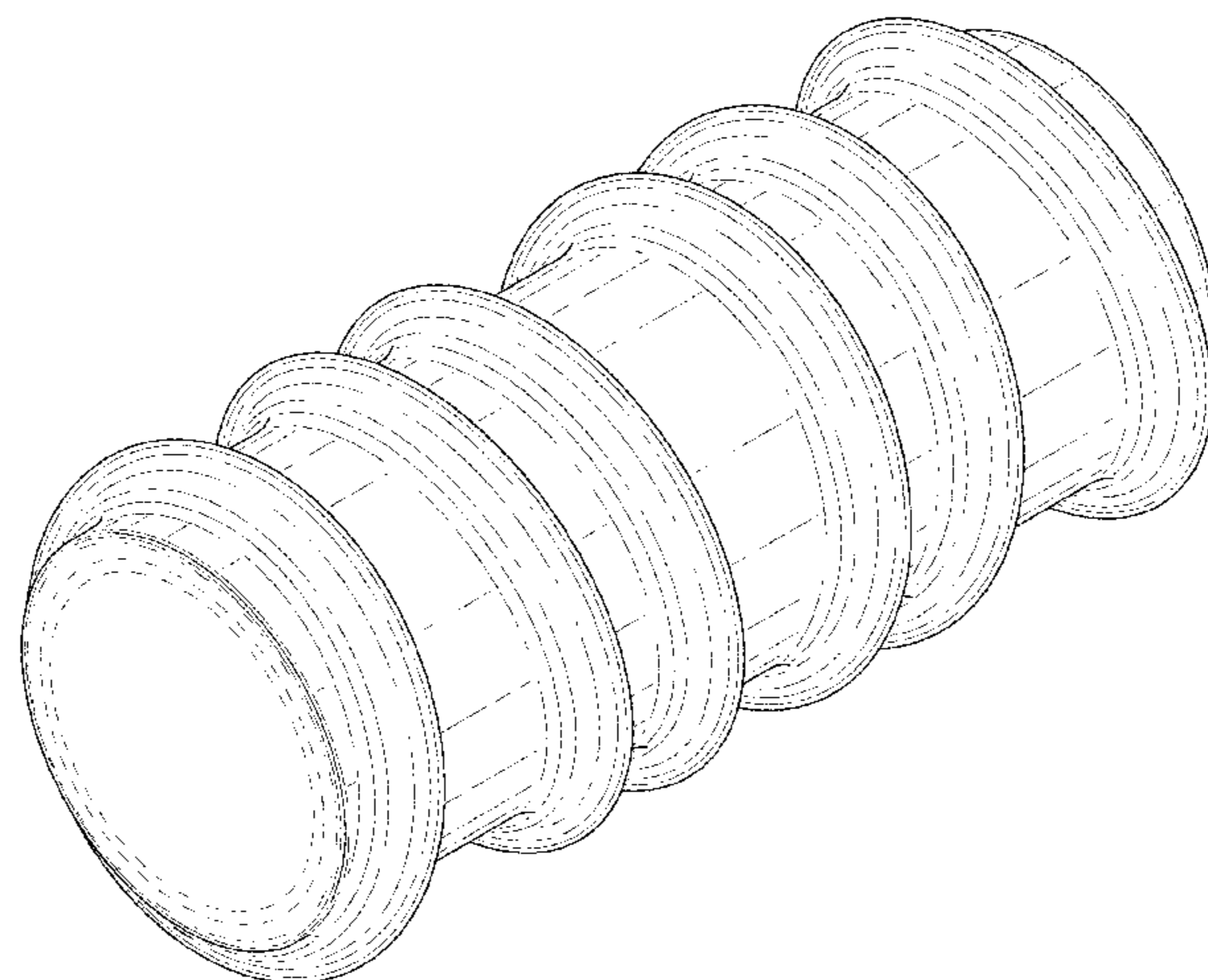
(57) **CLAIM**

The ornamental design for a massage roller, as shown and described.

DESCRIPTION

FIG. 1 is a perspective view of a massage roller showing my new design;
FIG. 2 is a front elevation view thereof;
FIG. 3 is a rear elevation view thereof;
FIG. 4 is a right side elevation view thereof;
FIG. 5 is a left side elevation view thereof;
FIG. 6 is a top plan view thereof; and,
FIG. 7 is a bottom plan view thereof.
The use of broken lines in the drawings illustrate environmental structure that forms no part of the claimed design. The dot-dash-dot lines shown in the drawings illustrate a boundary of the claimed design.

1 Claim, 6 Drawing Sheets



(56)

References Cited

U.S. PATENT DOCUMENTS

D477,414	S	7/2003	Chen	
D527,830	S	9/2006	Chien	
D637,244	S	5/2011	Davis et al.	
D654,970	S *	2/2012	Daves	D21/662
D660,450	S	5/2012	Johnson	
D676,140	S *	2/2013	Feightner	D24/212
D689,155	S	9/2013	Jahns	
D693,934	S *	11/2013	Lin	D24/215
D698,453	S *	1/2014	Tai	D24/215
D713,050	S	9/2014	Kao	
9,039,640	B2	5/2015	Crowell et al.	
D734,480	S	7/2015	Jones	
D736,398	S *	8/2015	Kwon	D24/211
D764,066	S	8/2016	Somjee	
9,539,167	B2	1/2017	Dye	
D788,313	S *	5/2017	Lawrie	D24/211
9,668,933	B1 *	6/2017	Johnson	A61H 15/00
2008/0090707	A1 *	4/2008	Dye	A61H 15/0092 482/132
2008/0255484	A1	10/2008	Gueret	
2012/0065557	A1 *	3/2012	Phillips	A61H 15/0092 601/99
2013/0261517	A1	10/2013	Rodgers	
2016/0279009	A1	9/2016	Somjee	

FOREIGN PATENT DOCUMENTS

JP	H02-136629	11/1990
JP	2012-135555	7/2012
WO	WO 2015/066772 A1	5/2015

* cited by examiner

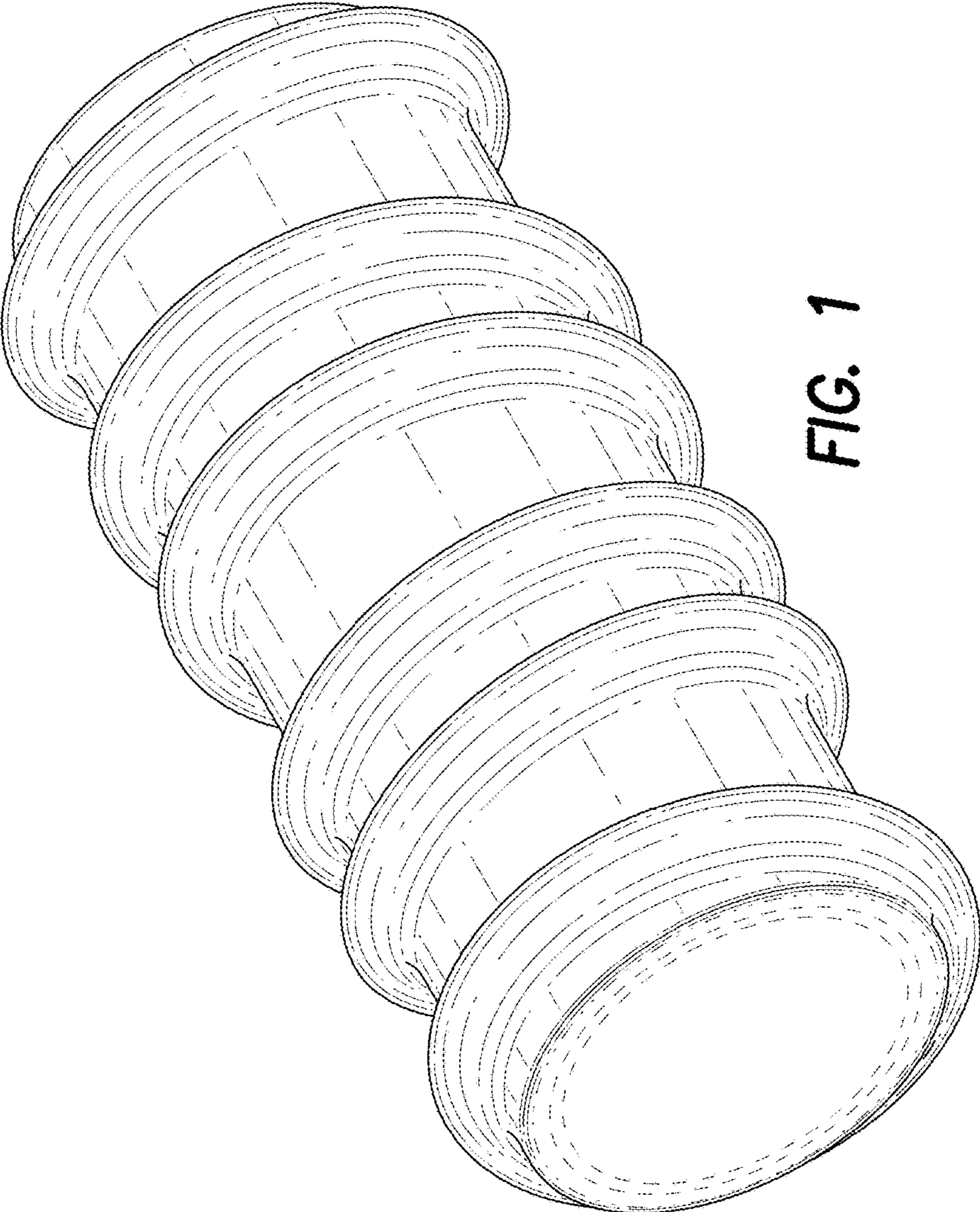


FIG. 1

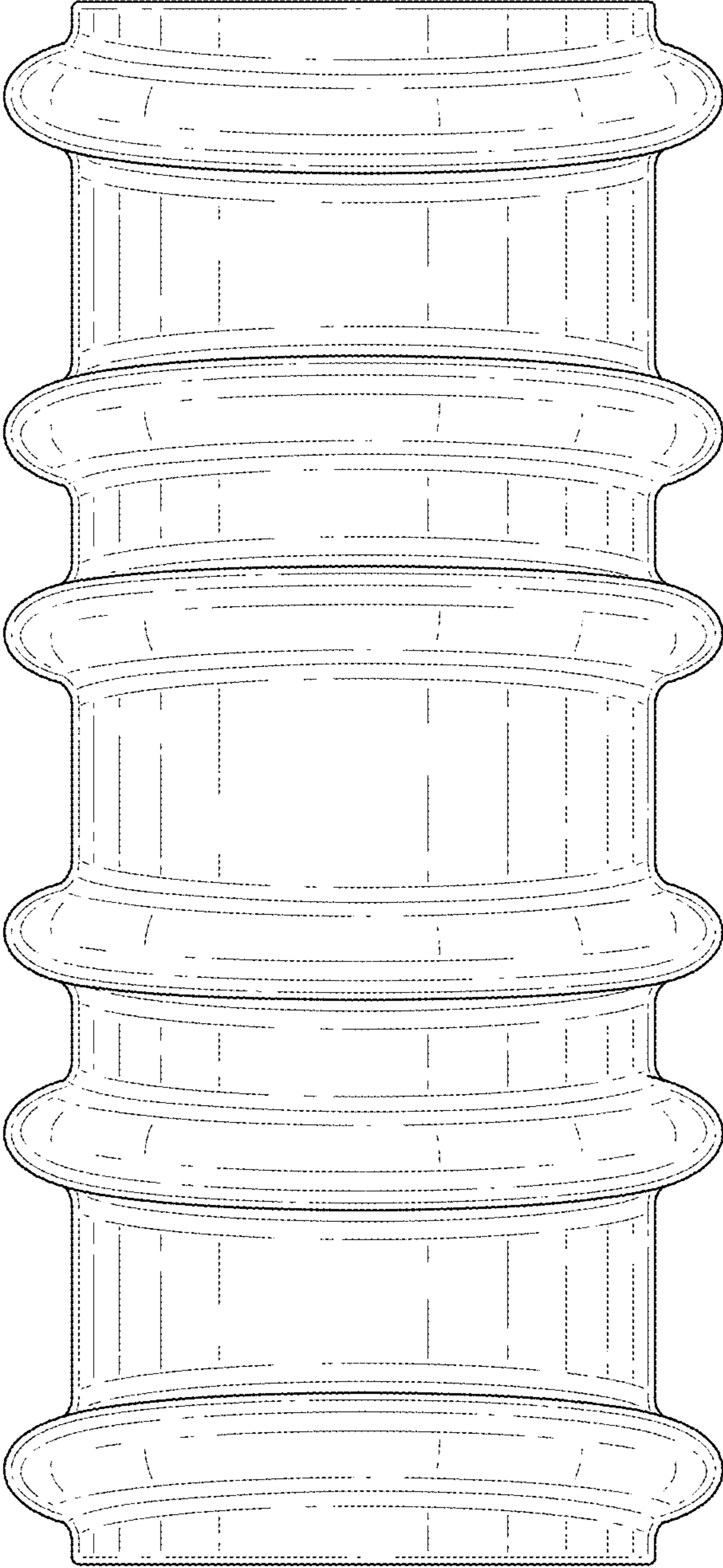


FIG. 2

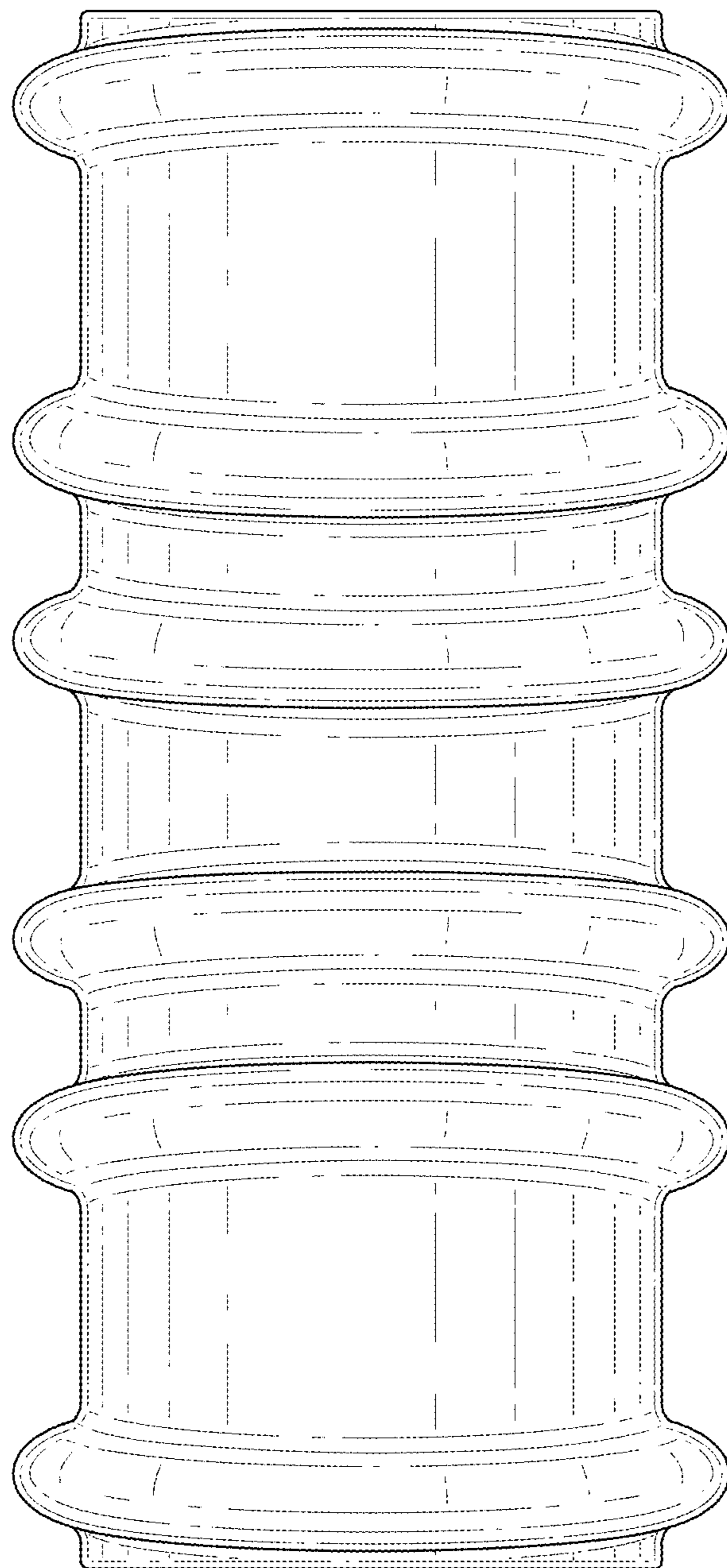


FIG. 3

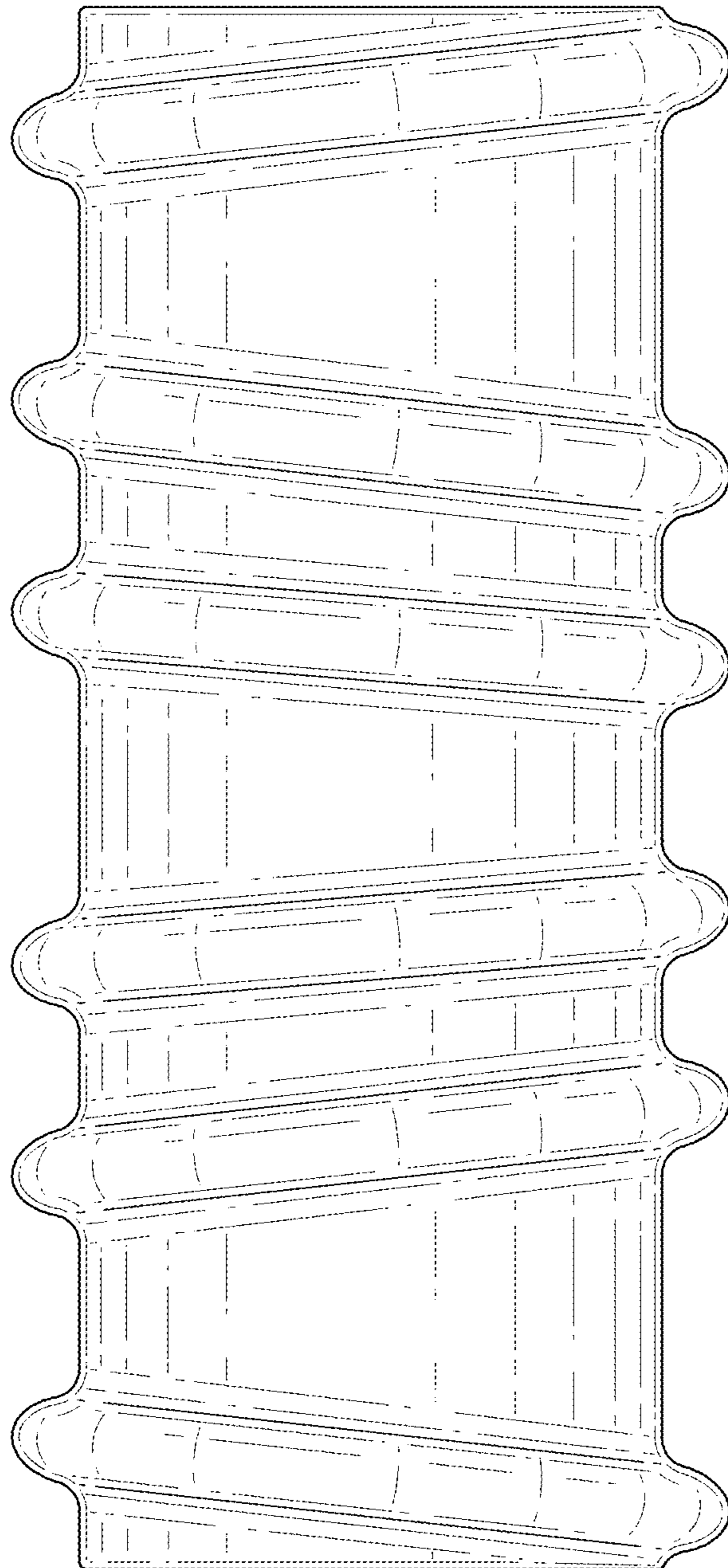


FIG. 4

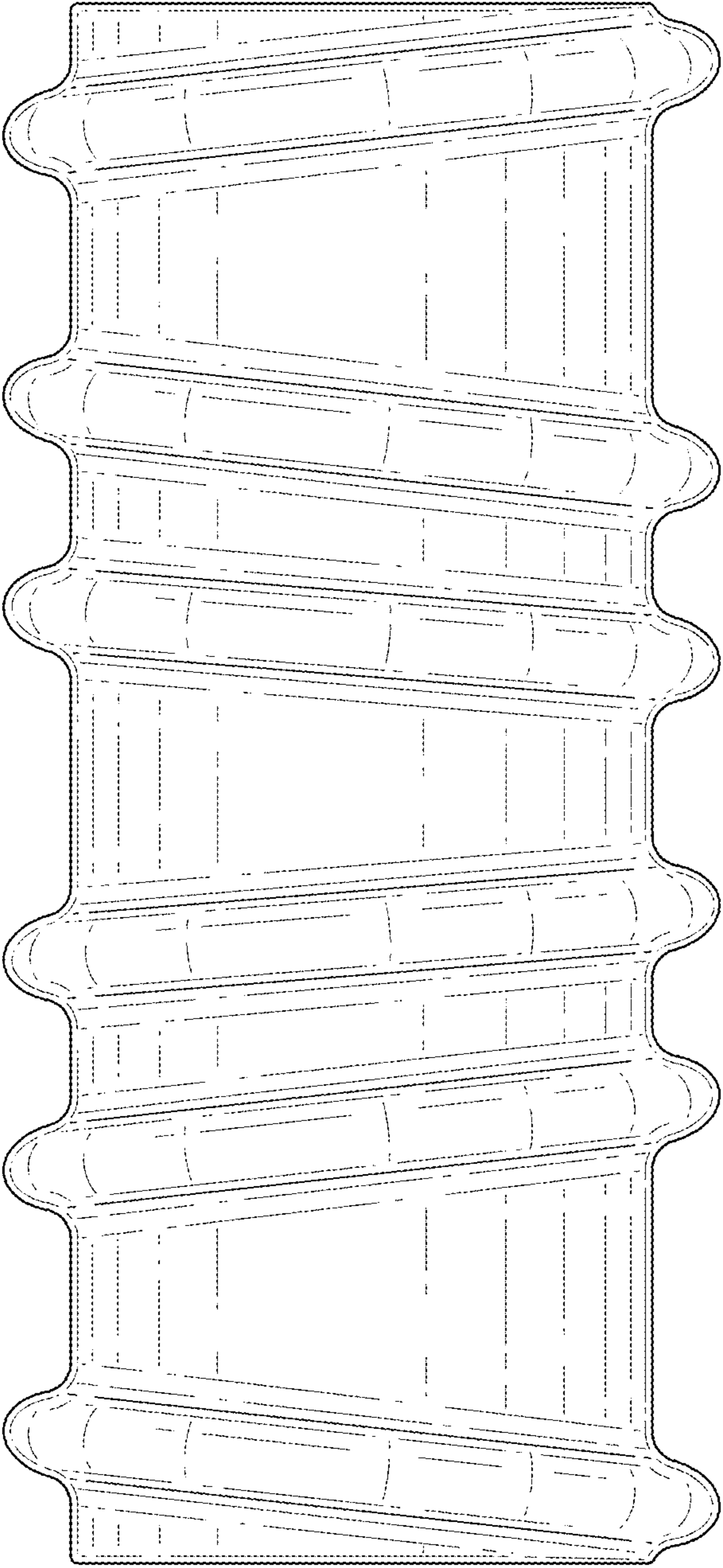


FIG. 5

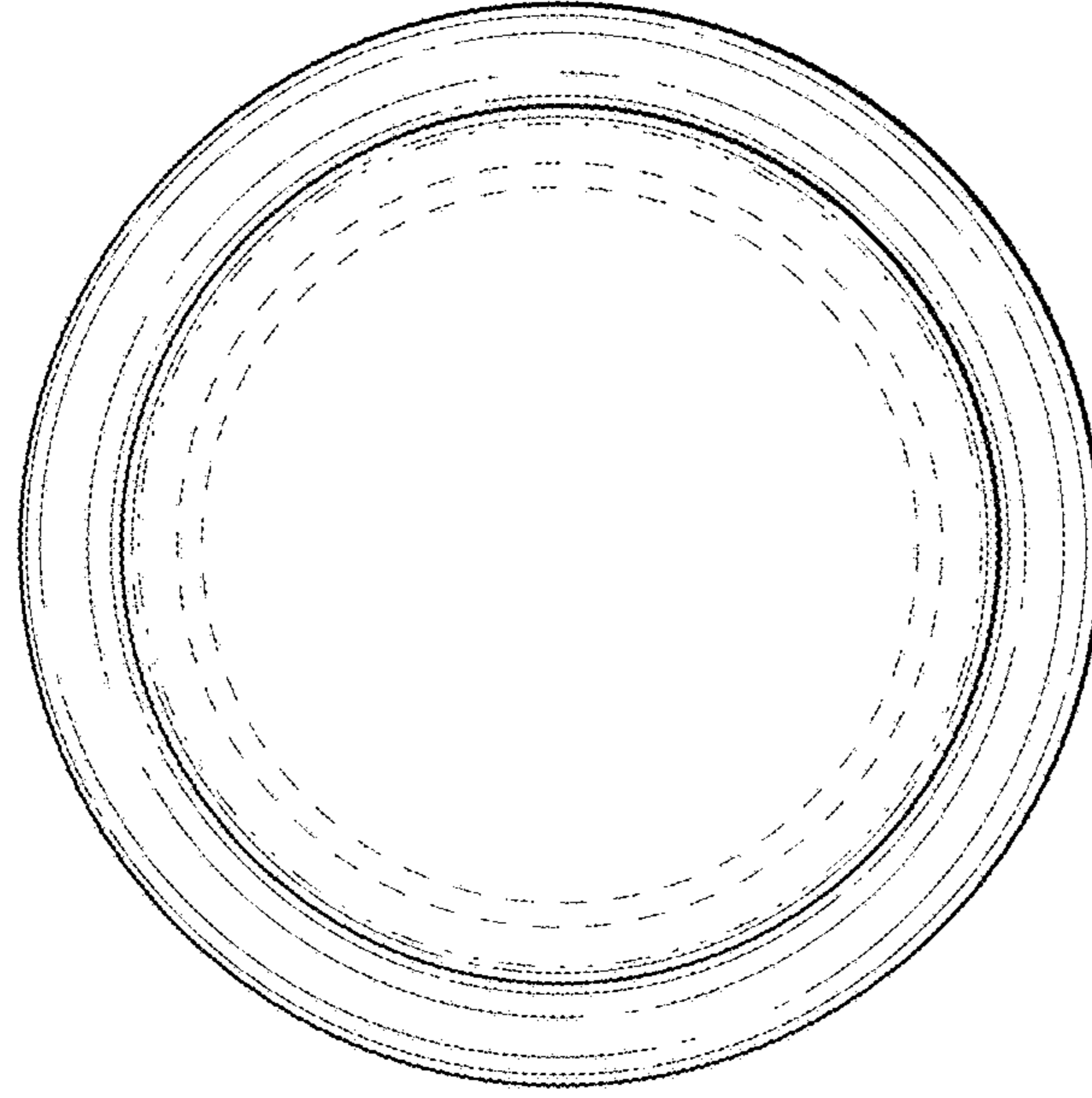


FIG. 7

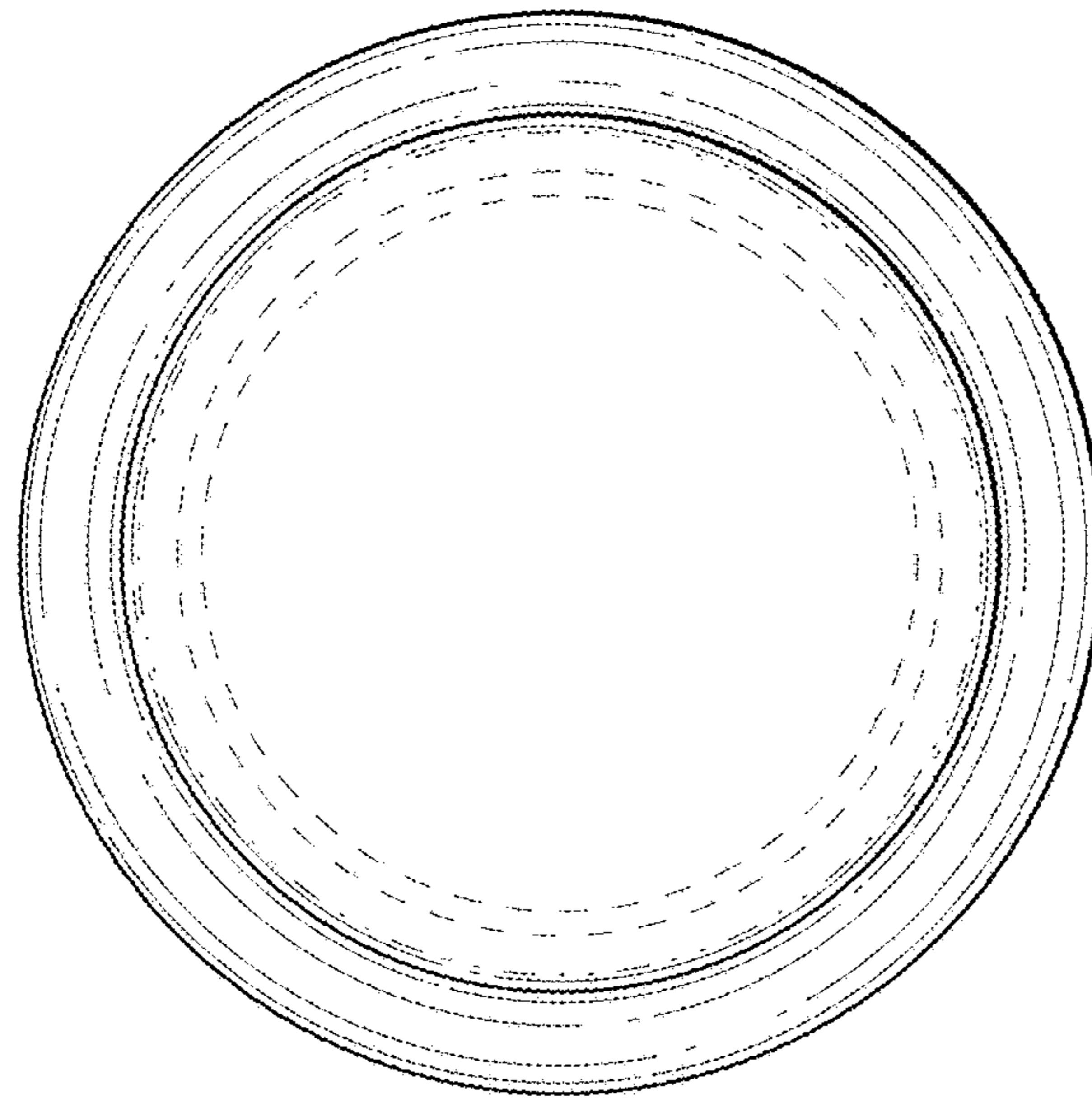


FIG. 6