



US00D829919S

(12) **United States Design Patent**
Davis et al.

(10) **Patent No.:** **US D829,919 S**
(45) **Date of Patent:** **** Oct. 2, 2018**

- (54) **ERGONOMIC COLD ROLLER**
- (71) Applicants: **Richard Davis**, Owasso, OK (US);
Charles Caswell, Tulsa, OK (US)
- (72) Inventors: **Richard Davis**, Owasso, OK (US);
Charles Caswell, Tulsa, OK (US)
- (73) Assignee: **GoFit, L.L.C.**, Tulsa, OK (US)
- (**) Term: **15 Years**
- (21) Appl. No.: **29/556,871**
- (22) Filed: **Mar. 3, 2016**
- (51) **LOC (11) Cl.** **28-03**
- (52) **U.S. Cl.**
USPC **D24/211**
- (58) **Field of Classification Search**
USPC D24/200, 211, 212, 213, 214, 215;
601/19, 22, 27-32, 46, 52, 99, 112, 113,
601/118, 125, 143, DIG. 12, DIG. 14,
601/DIG. 15, DIG. 16, DIG. 17
CPC A61H 1/0266; A61H 2015/0007; A61H
2015/0014; A61H 2015/0042; A61H
2015/0035; A61H 15/00; A61H 7/003;
A61H 7/005; A61H 7/00; A61H
2001/027; A61H 11/00; A61H 19/00;
A61H 19/30; A61H 19/32; A61H 19/34;
A61H 19/40; A61H 19/44; A61H 19/50;
A61H 21/00
See application file for complete search history.

- (56) **References Cited**
U.S. PATENT DOCUMENTS
622,350 A * 4/1899 Hans 601/19
893,064 A * 7/1908 Proben et al. A61F 13/066
602/65

- 1,657,974 A * 1/1928 Scoggin A61H 15/0085
601/129
- 1,748,762 A * 2/1930 Gilbert A61H 15/0092
601/129
- D349,576 S * 8/1994 Heiligenstein D24/200
- D349,771 S * 8/1994 Heiligenstein D24/200
- D358,894 S * 5/1995 Ivy D24/211
- D359,359 S * 6/1995 Robertson D24/211
- D359,360 S * 6/1995 Ivy D24/211
- D414,875 S * 10/1999 Sirois D24/214
- D415,569 S * 10/1999 Wyrwa D24/211
- D530,428 S * 10/2006 Huang D24/214
- D661,168 S * 6/2012 Furling D8/51
- D766,454 S * 9/2016 Higgins D24/214
- 2003/0100936 A1 * 5/2003 Altshuler A46B 15/0036
607/96
- 2008/0154161 A1 * 6/2008 Abbott A61H 15/0092
601/113

* cited by examiner

Primary Examiner — Sandra Snapp
(74) *Attorney, Agent, or Firm* — A J D. Martinez;
Latham, Wagner, Steele & Lehman, P.C.

(57) **CLAIM**

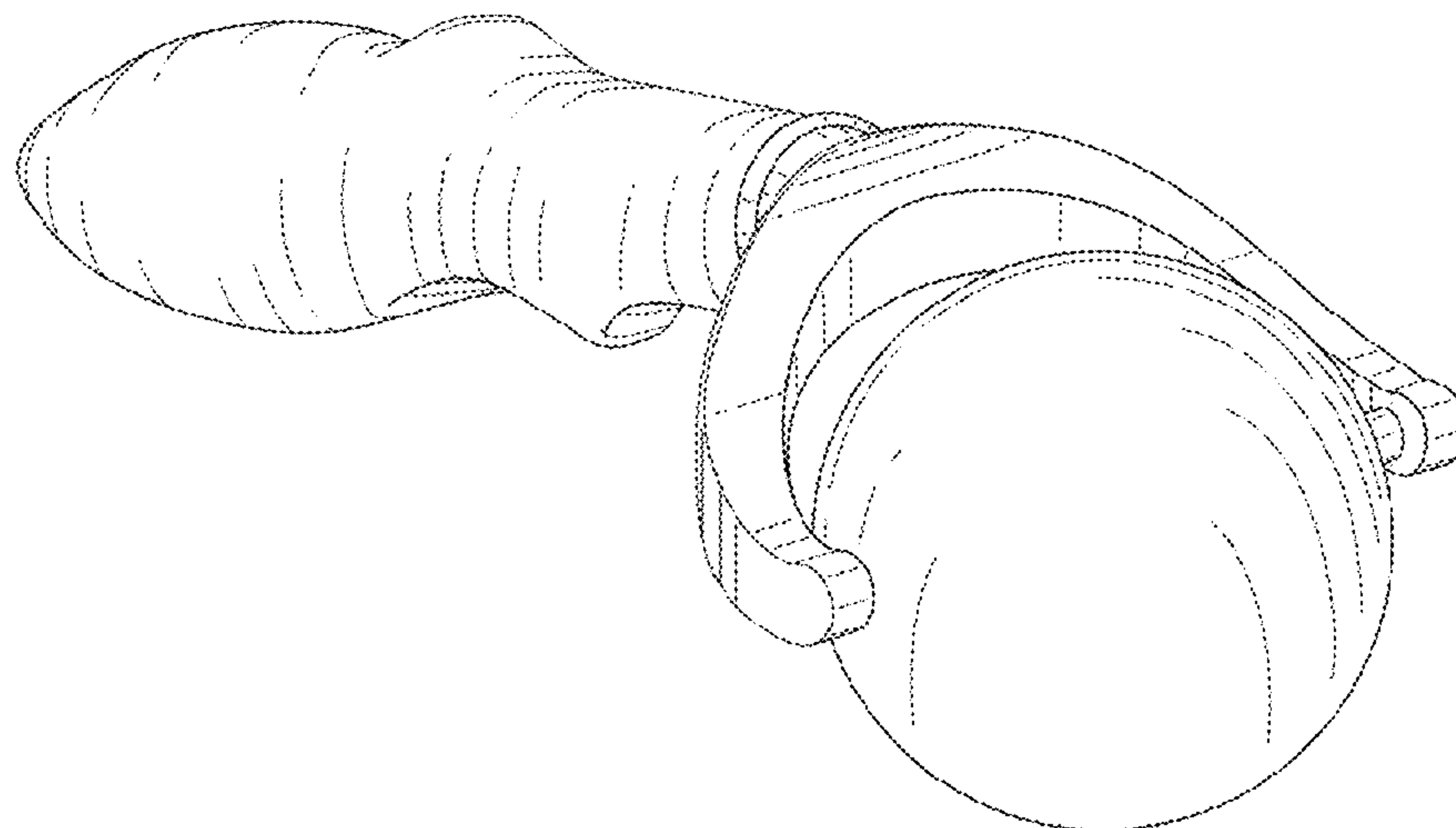
The ornamental design for an ergonomic cold roller, as shown and described.

DESCRIPTION

FIG. 1 is a perspective view thereof;
FIG. 2 is a top view thereof;
FIG. 3 is a bottom view thereof; and,
FIG. 4 is a side view thereof, the opposite side being a mirror image thereof.

The features of the ergonomic cold roller are shown and described in the drawings. The broken lines as shown in FIGS. 2-3 are shown for illustrative purposes only and form no part of the claimed design.

1 Claim, 4 Drawing Sheets



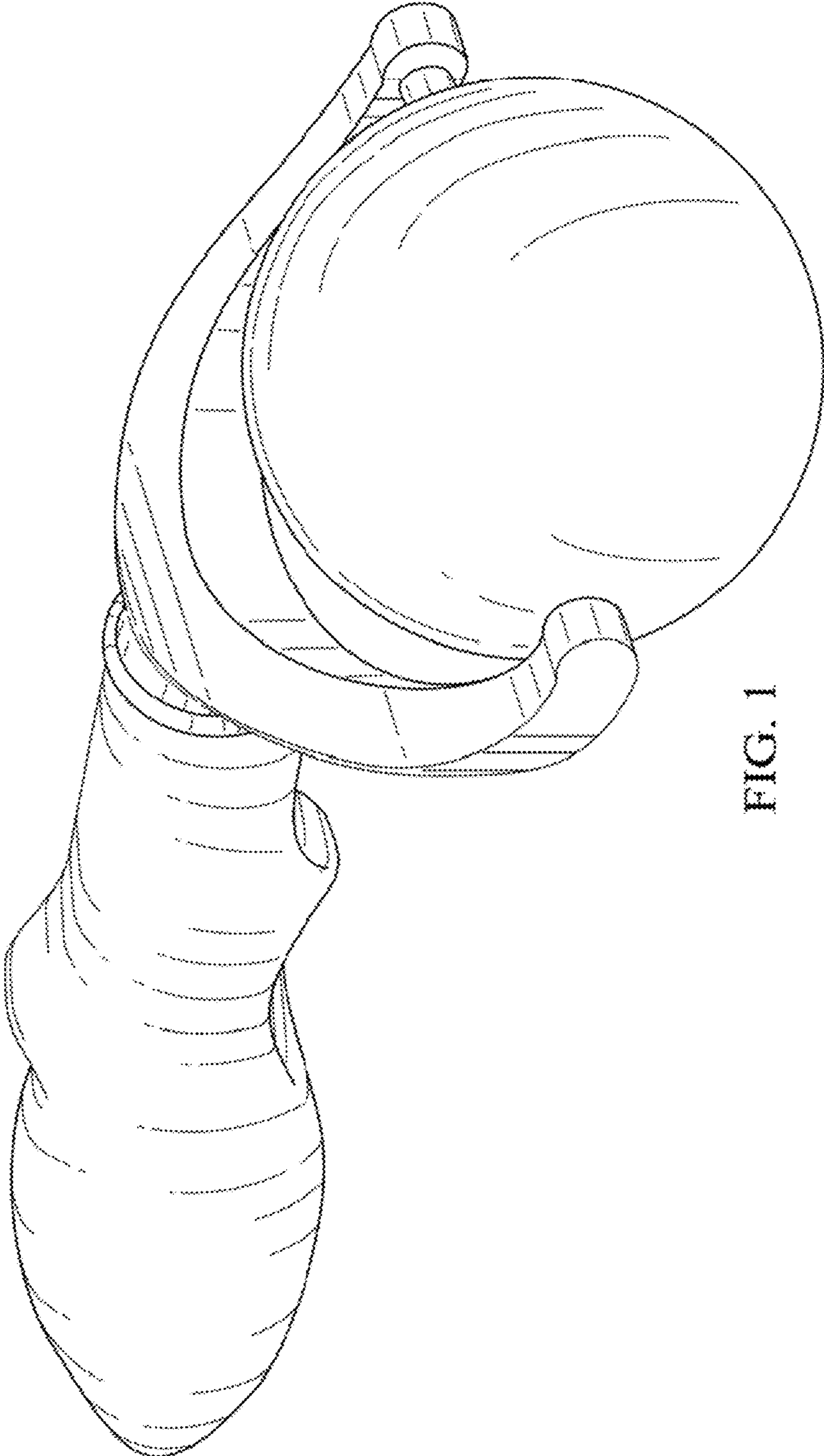


FIG. 1

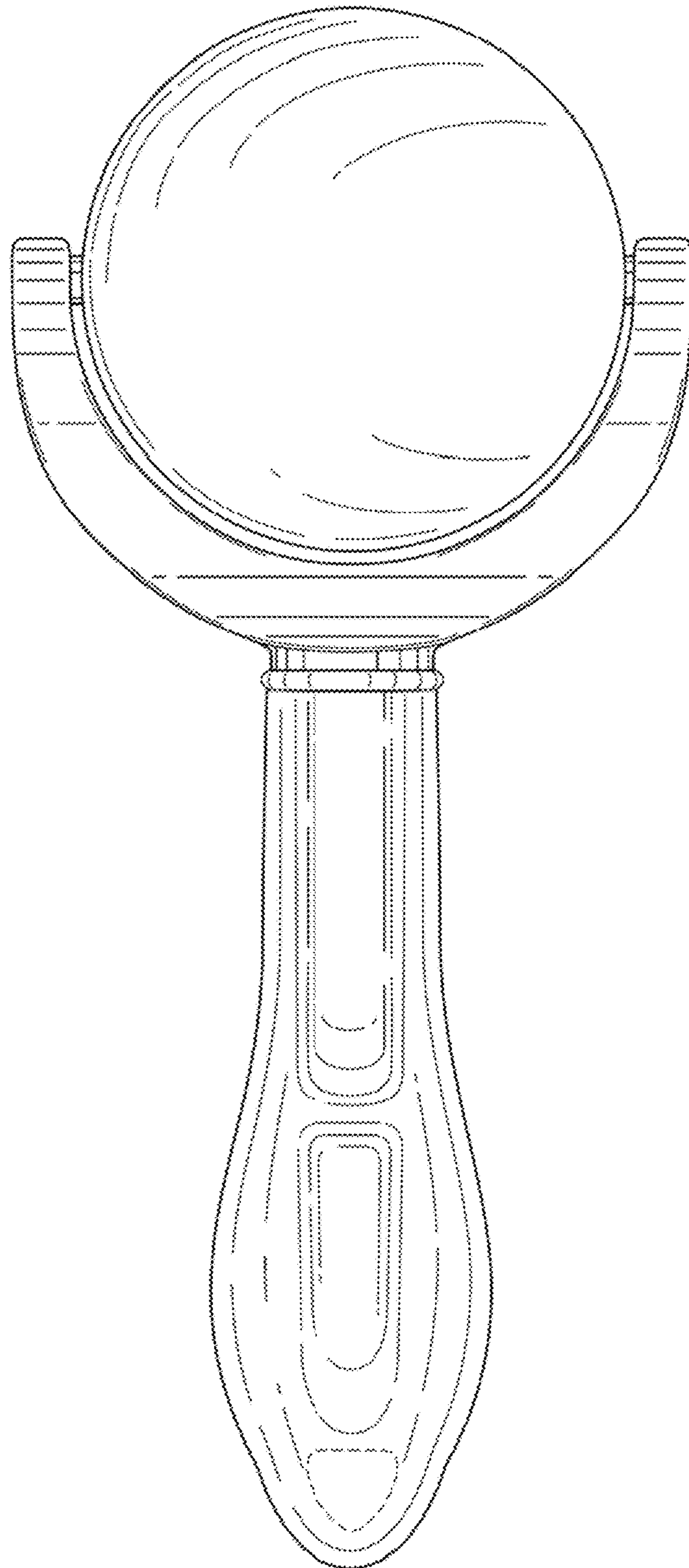


FIG. 2

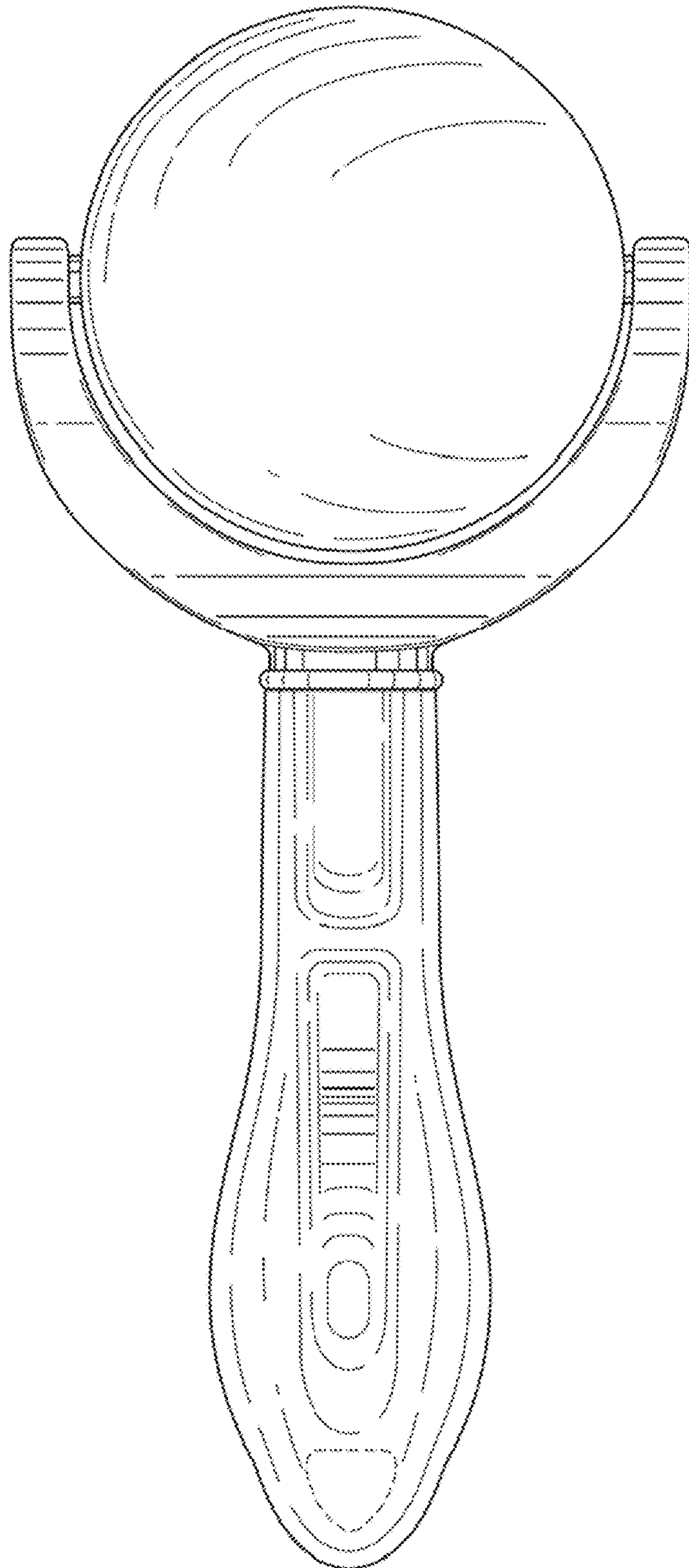


FIG. 3

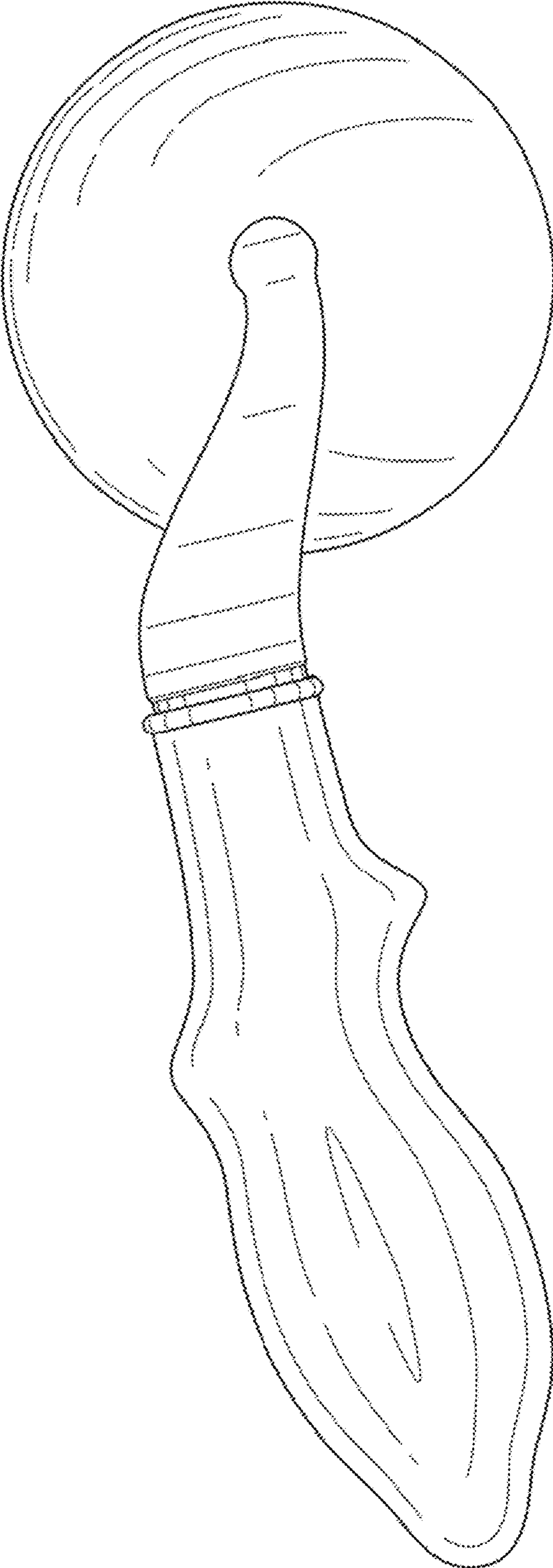


FIG. 4