



US00D829918S

(12) **United States Design Patent**  
**Kai Fan**

(10) **Patent No.:** **US D829,918 S**  
(45) **Date of Patent:** **\*\* Oct. 2, 2018**

(54) **BABY BOTTLE NIPPLE**

- (71) Applicant: **Benir Baby Limited**, Kowloon (HK)
- (72) Inventor: **Chow Kai Fan**, Kowloon (HK)
- (73) Assignee: **BENIR BABY LIMITED**, Hong Kong (CN)
- (\*\*) Term: **15 Years**
- (21) Appl. No.: **29/599,790**
- (22) Filed: **Apr. 6, 2017**
- (51) **LOC (11) Cl.** ..... **24-04**
- (52) **U.S. Cl.**  
USPC ..... **D24/196**
- (58) **Field of Classification Search**  
USPC ..... D24/193, 194, 195, 196, 197, 198, 199;  
215/11.1, 11.2, 11.3, 11.4, 11.5, 11.6;  
606/236  
CPC ..... A61J 11/00; A61J 11/0035; A61J 11/45  
See application file for complete search history.

(56) **References Cited**

**U.S. PATENT DOCUMENTS**

D305,459 S *	1/1990	Smith	.....	D24/196
D359,808 S *	6/1995	Raghava	.....	D24/196
D463,567 S *	9/2002	Morano	.....	D24/196
D599,028 S *	8/2009	Schofield	.....	D24/196
D602,595 S *	10/2009	Kliegman	.....	D24/194
D636,495 S *	4/2011	Pukall	.....	D24/193
D666,731 S *	9/2012	Mustecaplioglu	.....	D24/197
D734,476 S *	7/2015	Chaitanarit	.....	D24/196
D794,811 S *	8/2017	Thomas	.....	D24/194
2003/0093121 A1 *	5/2003	Randolph	.....	A61J 11/0035 606/236
2010/0137906 A1 *	6/2010	Stalling	.....	A61J 11/0035 606/236
2011/0054527 A1 *	3/2011	Murphy Matro	.....	A61J 17/001 606/236
2012/0181245 A1 *	7/2012	Lam	.....	A61J 11/02 215/11.5

**OTHER PUBLICATIONS**

“Benir Nursing Accessories”. Found online Jun. 18, 2018 at benirbaby.com. Page dated Feb. 13, 2016. Retrieved from [https://web.archive.org/web/20160213020516/http://www.benirbaby.com:80/category/nursing-and-infant-feeding/nursing-accessories.\\*](https://web.archive.org/web/20160213020516/http://www.benirbaby.com:80/category/nursing-and-infant-feeding/nursing-accessories.*)

“Kidsme Food Feeder”. Found online Jun. 18, 2018 at amazon.co.uk. Page dated Nov. 21, 2014. Retrieved from [https://www.amazon.co.uk/Kidsme-Food-Feeder-Large-Aquamarine/dp/B00PY2G3FA/ref=sr\\_1\\_2\\_a\\_it?ie=UTF8&qid=1529371375&sr=8-2&keywords=kidsme.\\*](https://www.amazon.co.uk/Kidsme-Food-Feeder-Large-Aquamarine/dp/B00PY2G3FA/ref=sr_1_2_a_it?ie=UTF8&qid=1529371375&sr=8-2&keywords=kidsme.*)

“NUK Simply Natural Fast Flow Nipple”. Found online May 23, 2018 at amazon.in. Page dated Mar. 16, 2017. Retrieved from [https://www.amazon.in/NUK-Simply-Natural-Fast-Nipple/dp/B01LZYZL97/ref=sr\\_1\\_14?ie=UTF8&qid=1527108913&sr=8-14&keywords=nuk+nipple.\\*](https://www.amazon.in/NUK-Simply-Natural-Fast-Nipple/dp/B01LZYZL97/ref=sr_1_14?ie=UTF8&qid=1527108913&sr=8-14&keywords=nuk+nipple.*)

(Continued)

*Primary Examiner* — George D. Kirschbaum  
*Assistant Examiner* — Kendra Leslie Hamilton  
 (74) *Attorney, Agent, or Firm* — LeonardMeyer LLP

(57) **CLAIM**

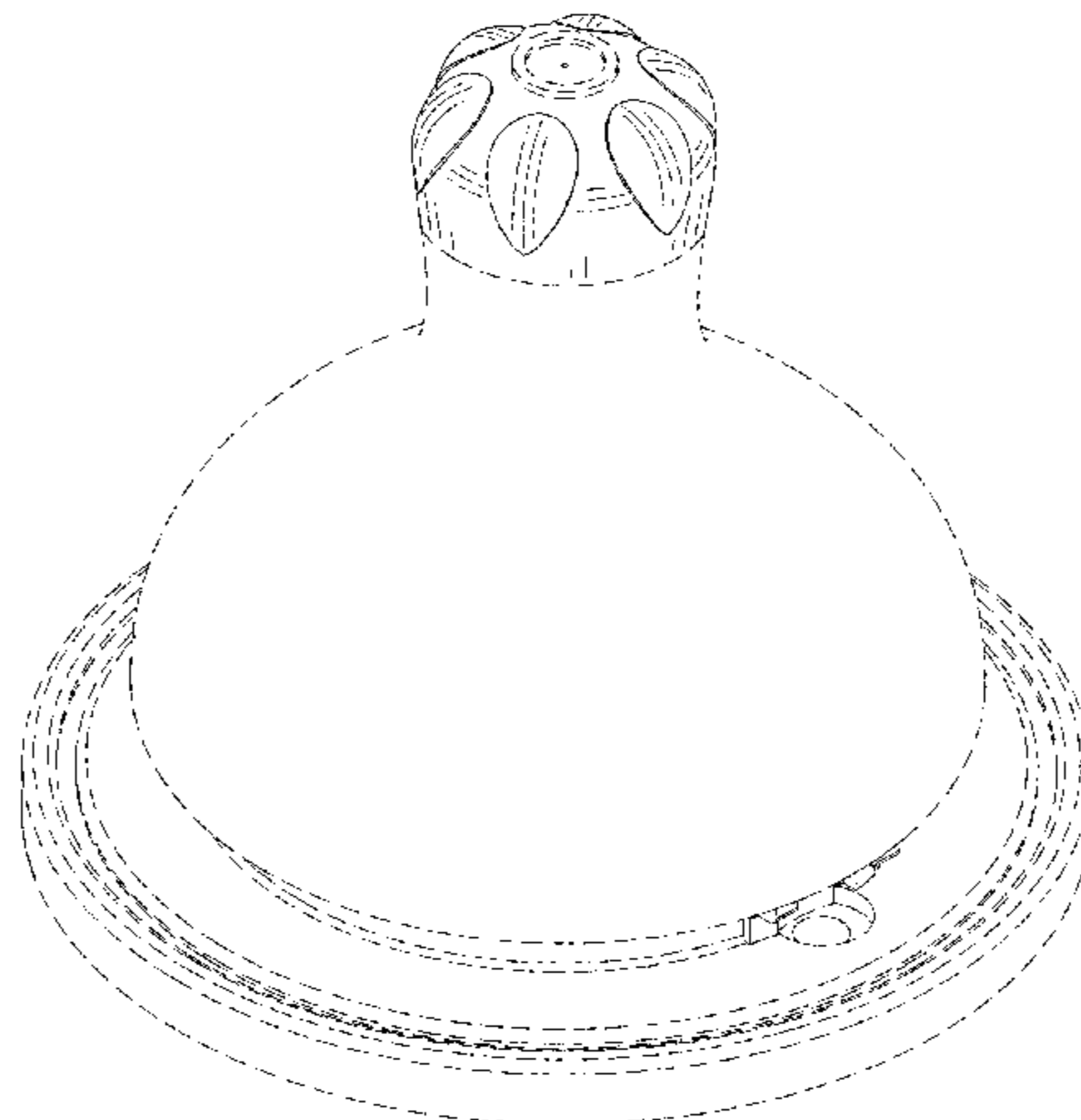
The ornamental design for a baby bottle nipple, as shown and described.

**DESCRIPTION**

FIG. 1 is a perspective view of a first embodiment of an ornamental design for a baby bottle nipple;  
 FIG. 2 is a front view thereof;  
 FIG. 3 is a rear view thereof;  
 FIG. 4 is a left side view thereof;  
 FIG. 5 is a right side view thereof;  
 FIG. 6 is a top view thereof; and,  
 FIG. 7 is a bottom view thereof.

The broken lines below the claimed design are for purposes of illustrating environmental structure only; the broken lines within the claimed design that depict a circular shape indicate a non-claimed shape on the surface and is for illustrative purposes only. None of the broken lines form part of the claimed design.

**1 Claim, 7 Drawing Sheets**



(56)

**References Cited**

OTHER PUBLICATIONS

“Textures of Hawaii: Teardrop-Shaped Leaf”. Found online Jun. 19, 2018 at [twotravelholics.com](http://twotravelholics.com). Page dated Jan. 31, 2015. Retrieved from <http://twotravelholics.com/2015/01/31/textures-hawaii/>.\*

\* cited by examiner

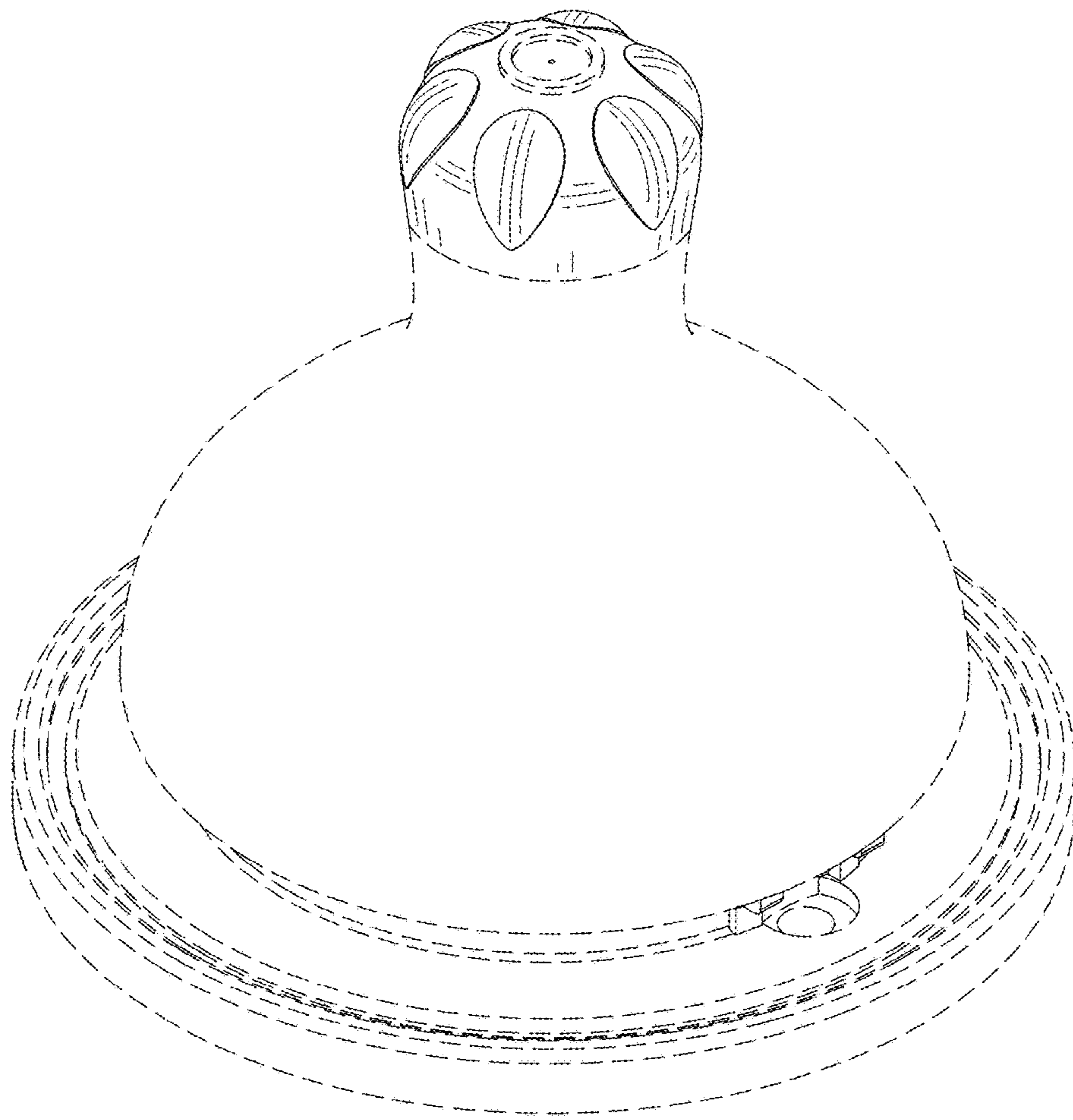


FIG. 1

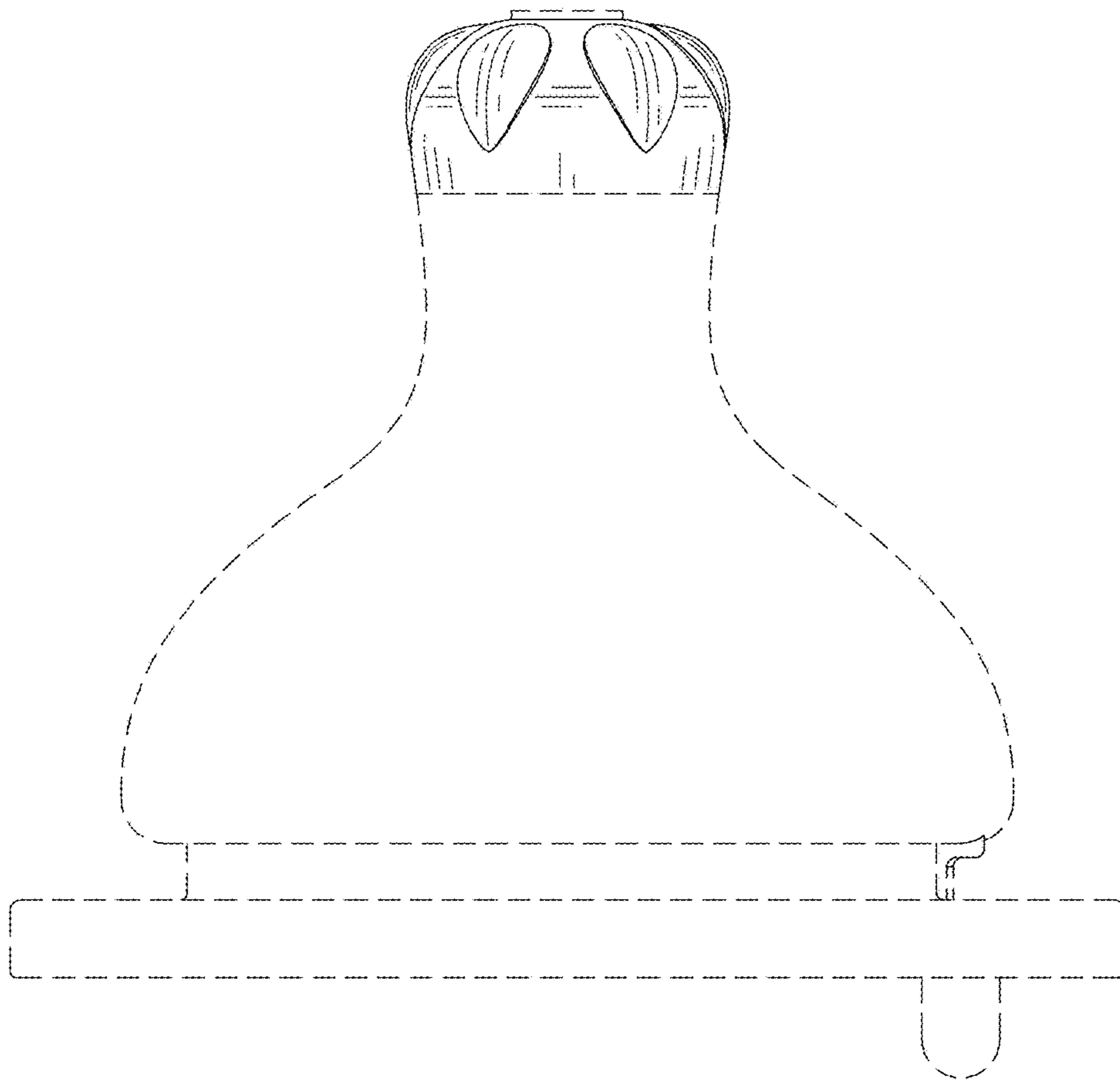


FIG. 2

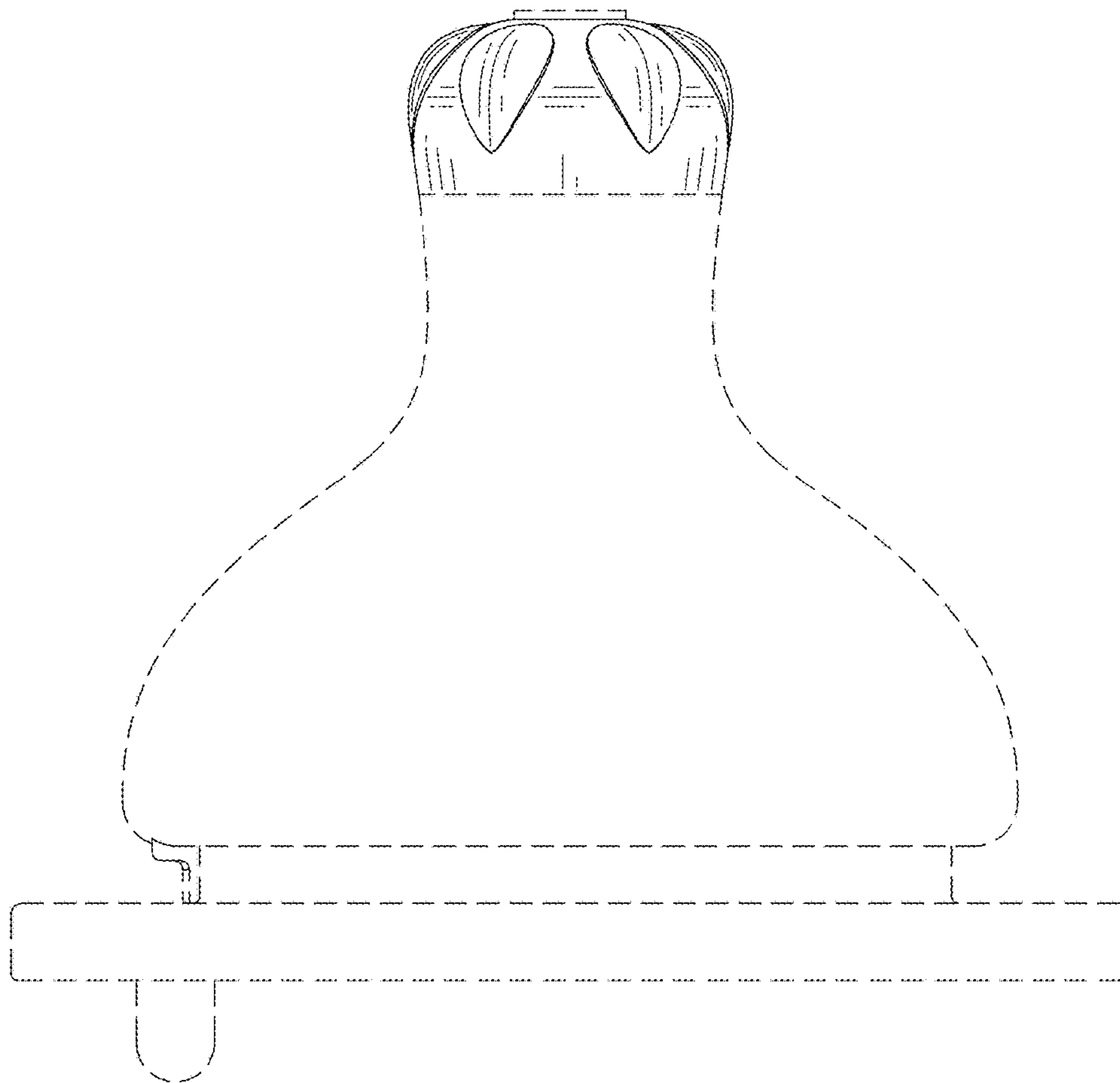


FIG. 3

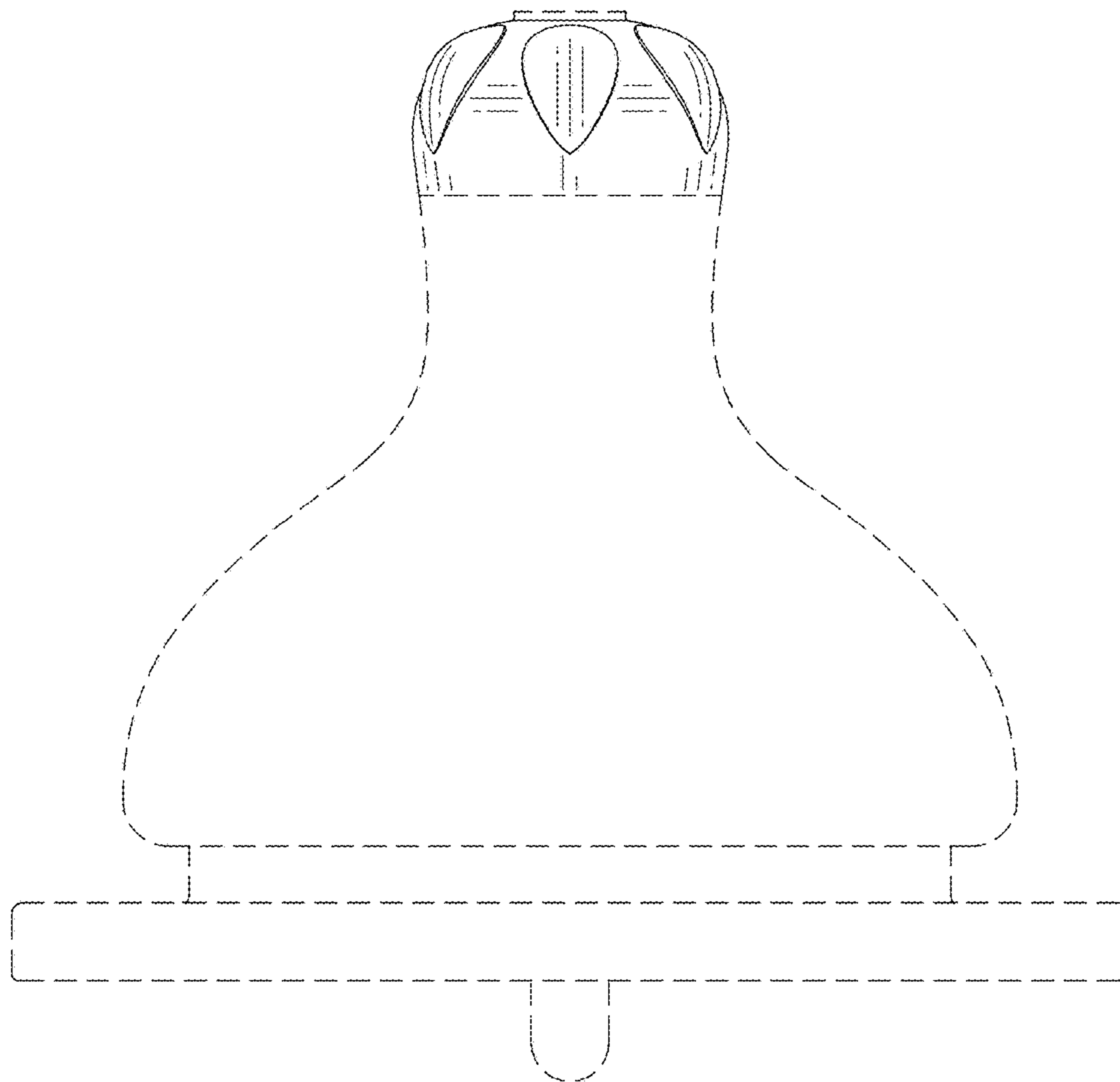


FIG. 4

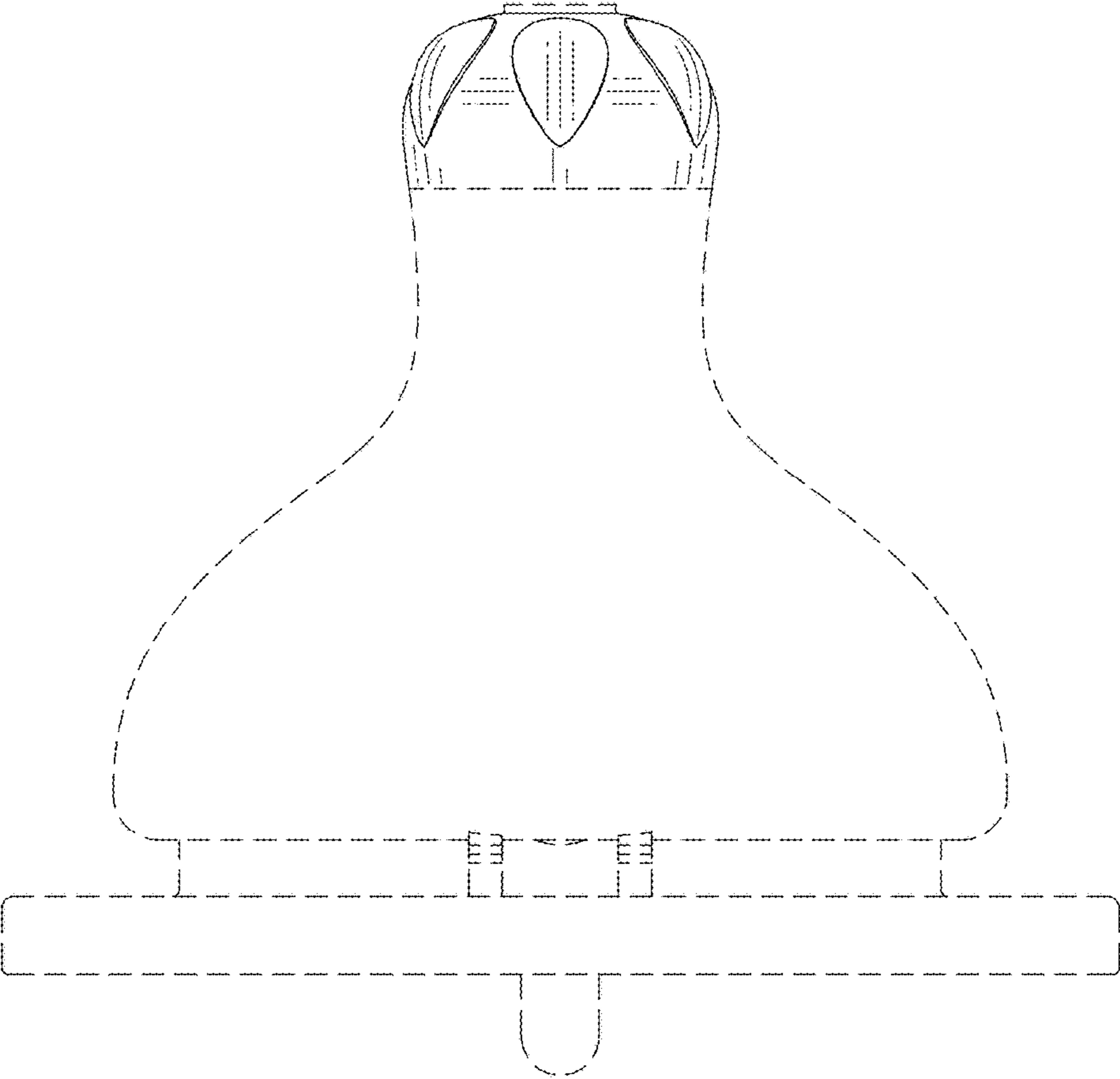


FIG. 5

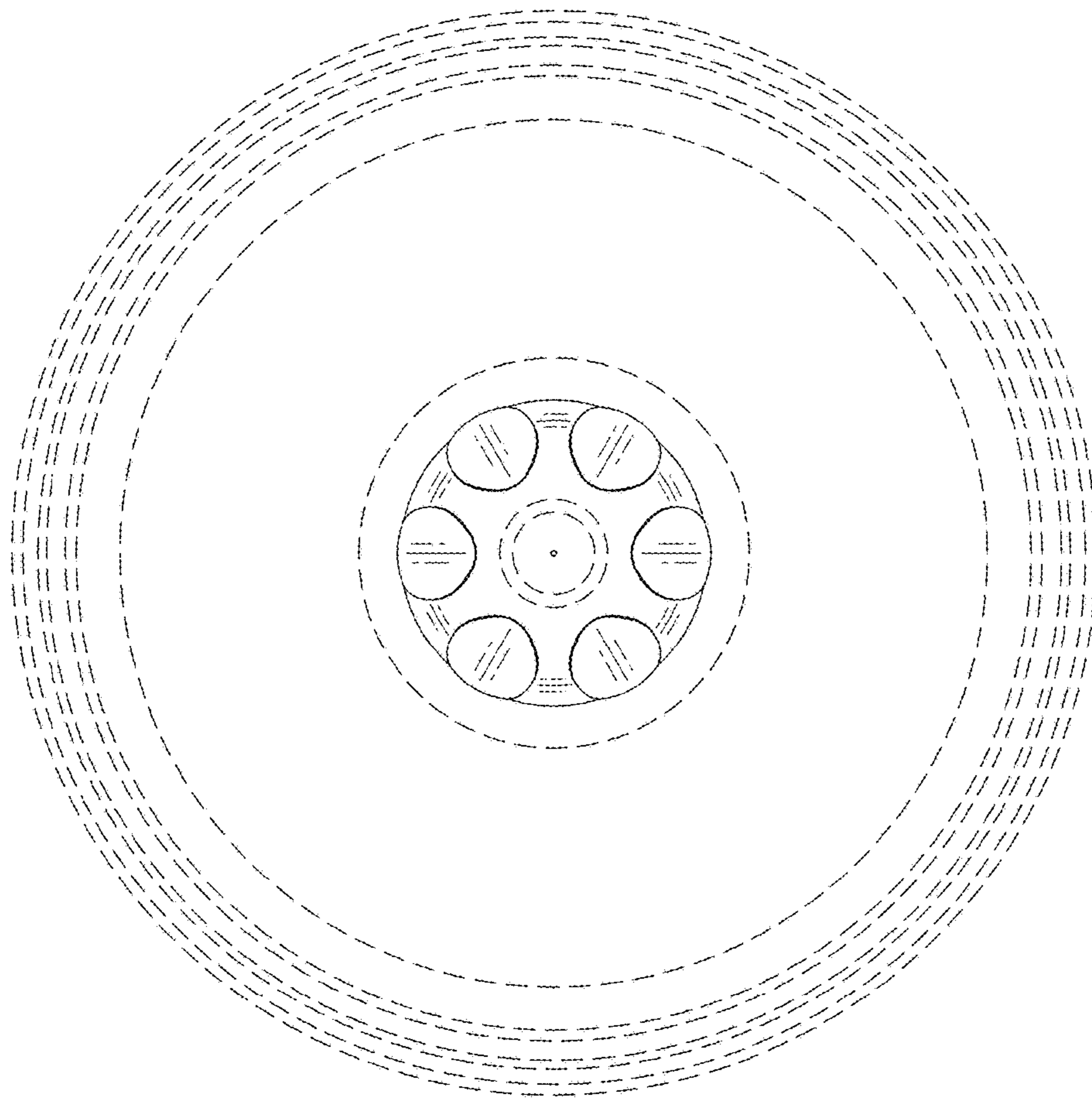


FIG. 6



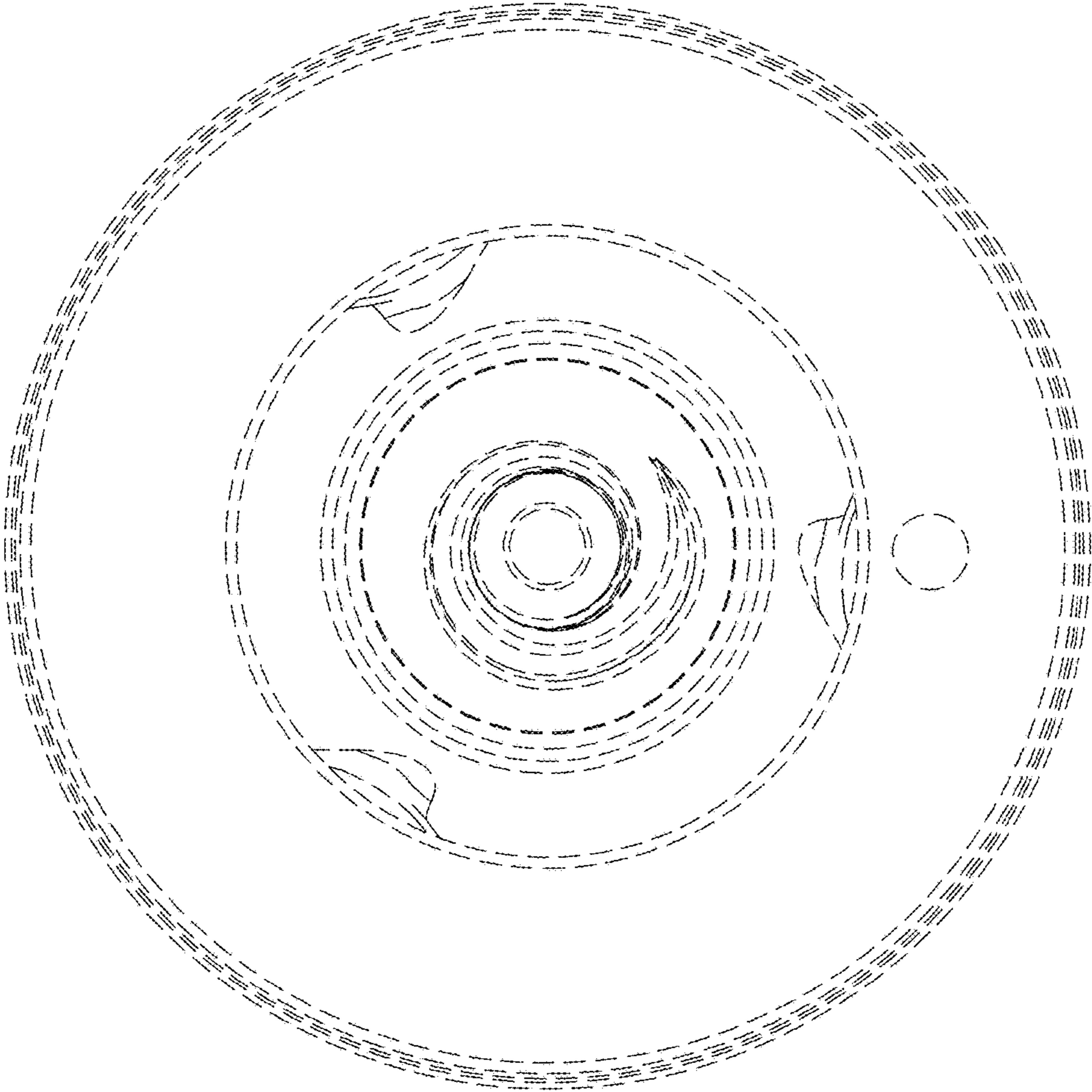


FIG. 7