



US00D829917S

(12) **United States Design Patent**
Duck et al.

(10) **Patent No.:** **US D829,917 S**
(45) **Date of Patent:** **** Oct. 2, 2018**

(54) **SET OF ELECTRODES ON A PERFORATED BACKING SHEET**

(71) Applicant: **Medline Industries, Inc.**, Northfield, IL (US)

(72) Inventors: **Benjamin Duck**, McHenry, IL (US);
Amanda Nerwin, Buffalo Grove, IL (US)

(73) Assignee: **Medline Industries, Inc.**, Northfield, IL (US)

(**) Term: **15 Years**

(21) Appl. No.: **29/573,359**

(22) Filed: **Aug. 4, 2016**

(51) **LOC (11) Cl.** **24-01**

(52) **U.S. Cl.**
USPC **D24/187**

(58) **Field of Classification Search**
USPC D24/165-168, 186, 187, 107, 200, 189;
D10/70, 75, 97, 98; 600/301, 372,
(Continued)

(56) **References Cited**

U.S. PATENT DOCUMENTS

4,409,981 A * 10/1983 Lundberg A61B 5/0408
29/825
4,798,208 A * 1/1989 Faasse, Jr. A61B 5/0408
600/392

(Continued)

Primary Examiner — Anhdao Doan

Assistant Examiner — Mary Malley

(74) *Attorney, Agent, or Firm* — Fitch, Even, Tabin & Flannery LLP

(57) **CLAIM**

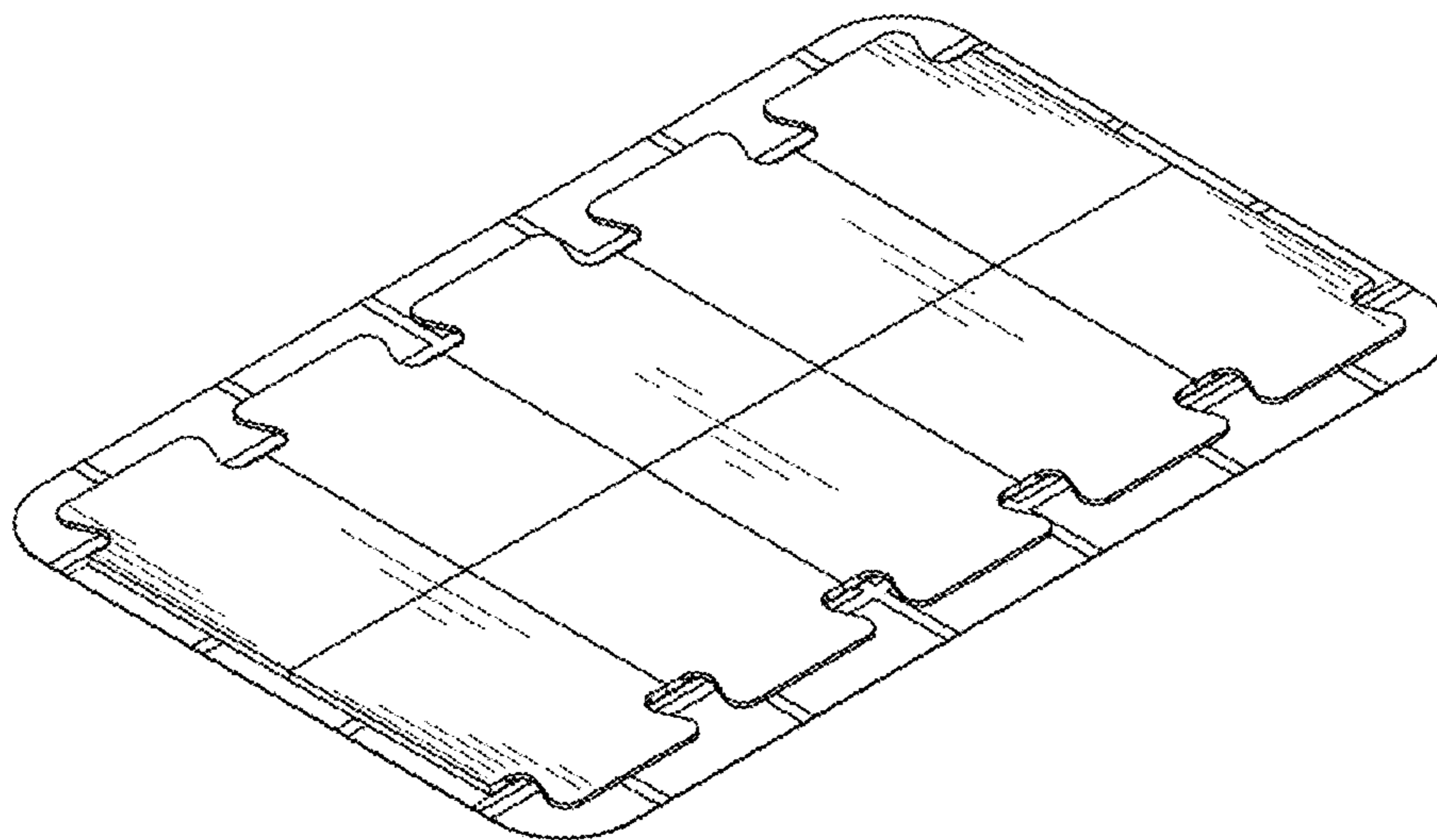
The ornamental design for a set of electrodes on a perforated backing sheet, as shown and described.

DESCRIPTION

FIG. 1 is a top front perspective view showing a first embodiment of a set of electrodes on a perforated backing sheet in accordance with our new design; FIG. 2 is a bottom rear perspective view thereof; FIG. 3 is a top plan view thereof; FIG. 4 is a bottom plan view thereof; FIG. 5 is a right side elevational view thereof; FIG. 6 is a left side elevational view thereof; FIG. 7 is a front elevational view thereof; FIG. 8 is a rear elevational view thereof; FIG. 9 is a top front perspective exploded view thereof with the electrodes removed from the perforated backing sheet; FIG. 10 is a top front perspective and partially exploded view thereof as it may appear with two of the electrodes removed and the sides of the backing sheet removed along the perforations; FIG. 11 is a top front perspective view showing a second embodiment of a set of electrodes on a perforated backing sheet in accordance with our new design; FIG. 12 is a bottom rear perspective view thereof; FIG. 13 is a top plan view thereof; FIG. 14 is a bottom plan view thereof; FIG. 15 is a right side elevational view thereof; FIG. 16 is a left side elevational view thereof; FIG. 17 is a front elevational view thereof; FIG. 18 is a rear elevational view thereof; FIG. 19 is a top front exploded view thereof with the electrodes removed from the perforated backing sheet; and, FIG. 20 is a top front perspective and partially exploded view thereof as it may appear with two of the electrodes removed and the sides of the backing sheet removed along the perforations.

The short bolded broken lines on the backing sheet in FIGS. 1-20 represent perforations and are part of the claimed design. The stippling on the backing sheet in FIGS. 11-20 represents a contrast in appearance.

1 Claim, 16 Drawing Sheets



US D829,917 S

(58) **Field of Classification Search**
USPC 600/382-384, 386, 390, 393, 483,
600/500-503, 508, 509, 513; 607/129,
607/152
CPC A61N 1/04; A61N 1/0404; A61N 1/0476;
A61N 1/048; A61N 1/0484; A61N
1/0488; A61N 1/0492; A61N 1/0456;
A61N 1/36014; A61N 1/22; A61N
1/0536; A61B 5/6803; A61B 5/681; A61B
5/6824; A61B 5/6825; A61B 5/024; A61B
5/02405; A61B 5/02438
See application file for complete search history.

(56) **References Cited**
U.S. PATENT DOCUMENTS

4,890,622 A * 1/1990 Ferrari A61B 5/04087
600/392

5,133,356 A * 7/1992 Bryan A61B 5/04087
600/385
5,191,887 A * 3/1993 Cartmell A61B 5/0408
600/392
5,215,087 A 6/1993 Anderson
5,226,225 A * 7/1993 Bryan A61B 5/04087
29/825
5,813,981 A * 9/1998 Carim A61B 5/0408
600/372
8,238,998 B2 * 8/2012 Park A61B 5/0408
600/391
D670,395 S * 11/2012 Wakamatsu D24/189
9,248,269 B2 * 2/2016 Kipke A61B 5/04001
9,314,610 B2 * 4/2016 Khuon A61N 1/046
2003/0045788 A1 * 3/2003 Menon A61B 5/04087
600/395
2004/0082843 A1 * 4/2004 Menon A61B 5/04087
600/395

* cited by examiner

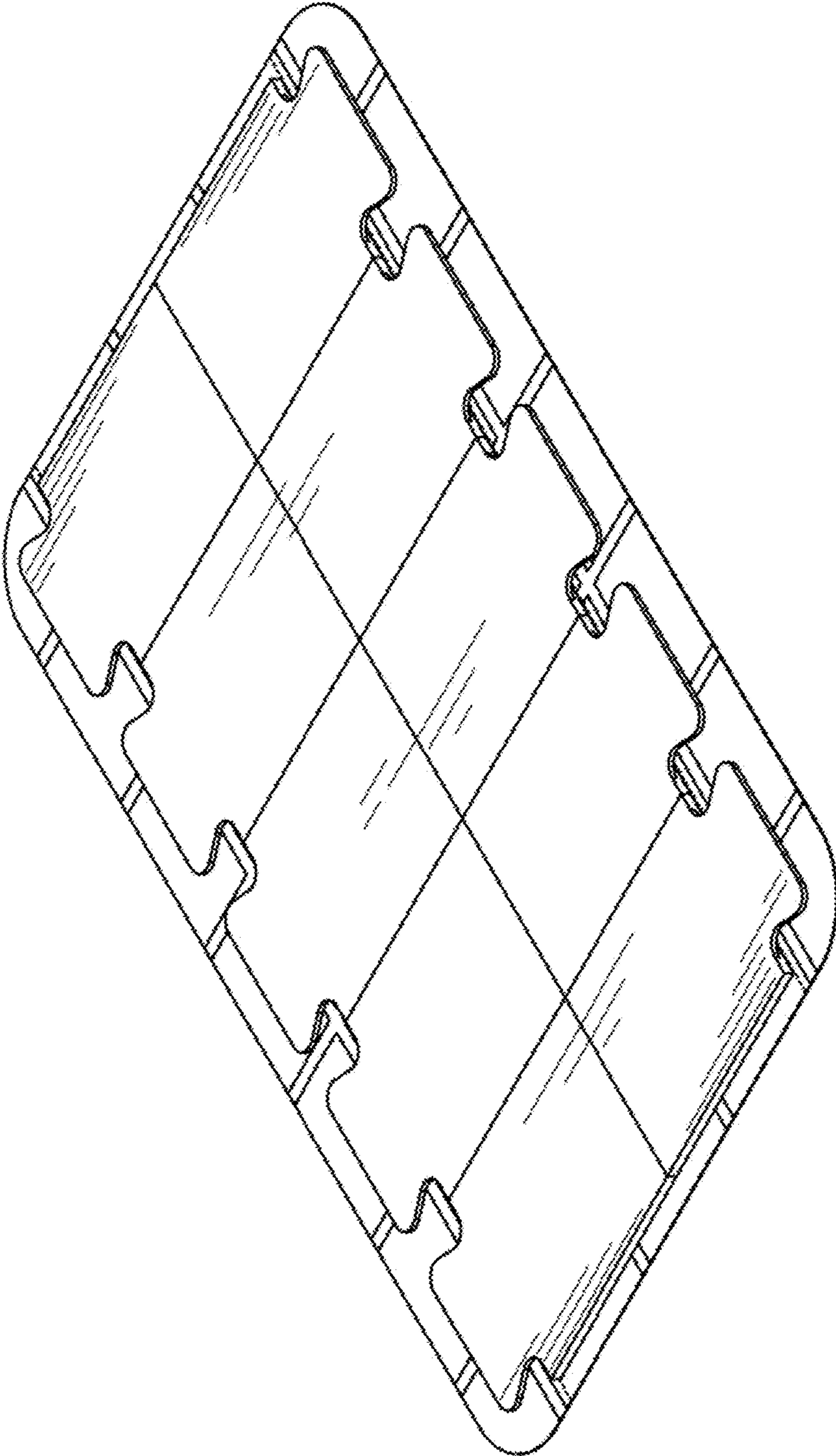


FIG. 1

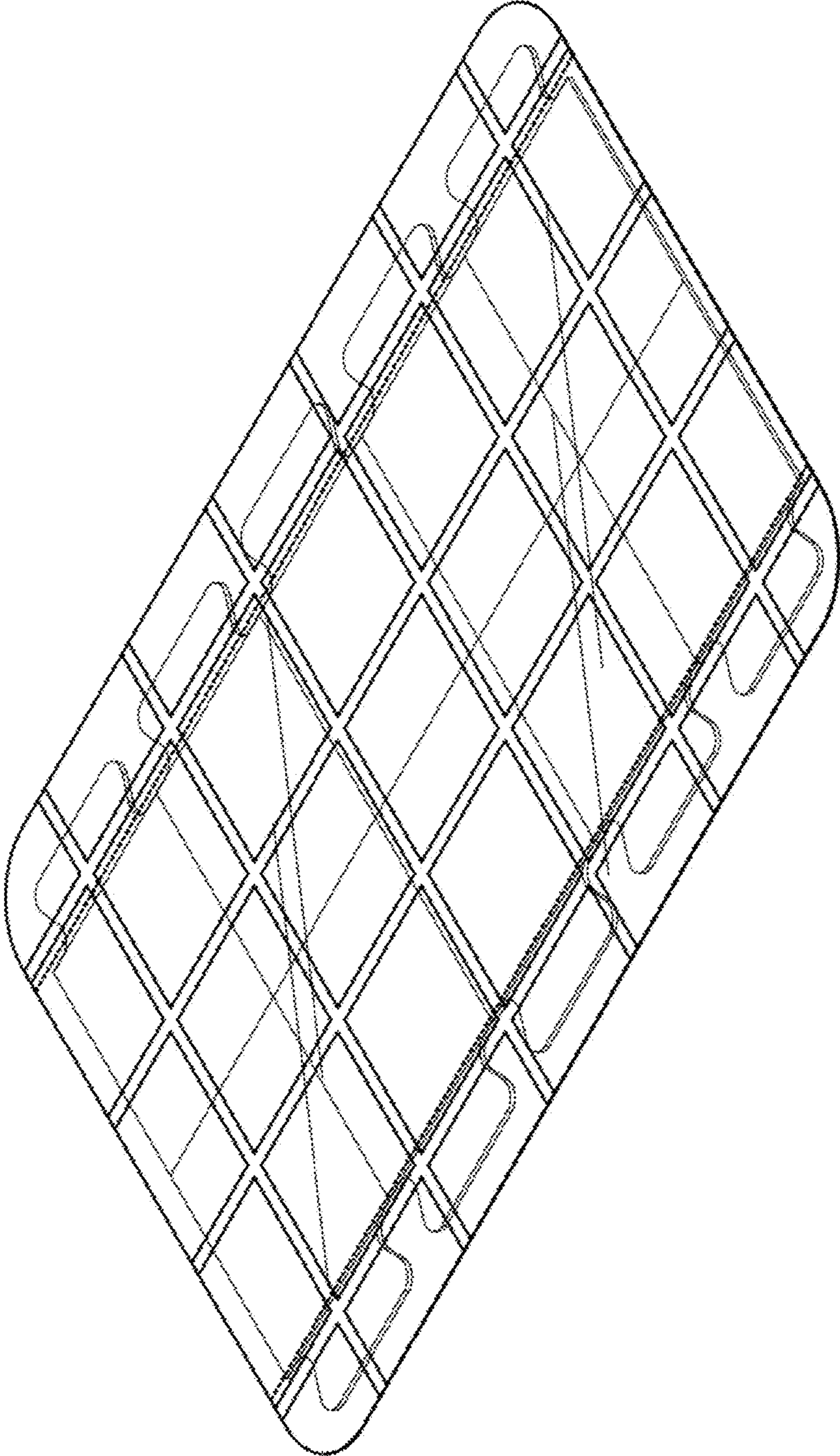


FIG. 2

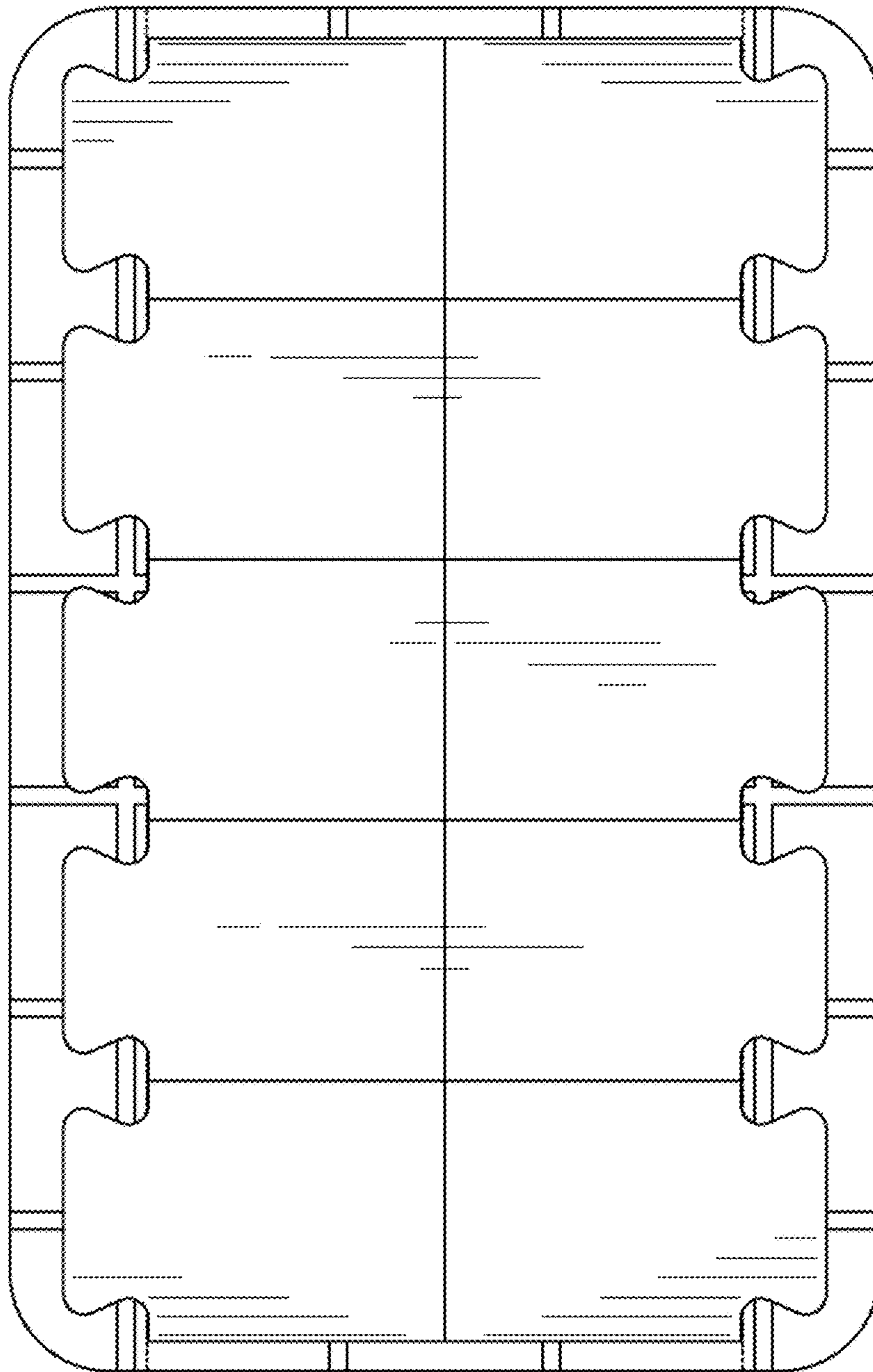


FIG. 3

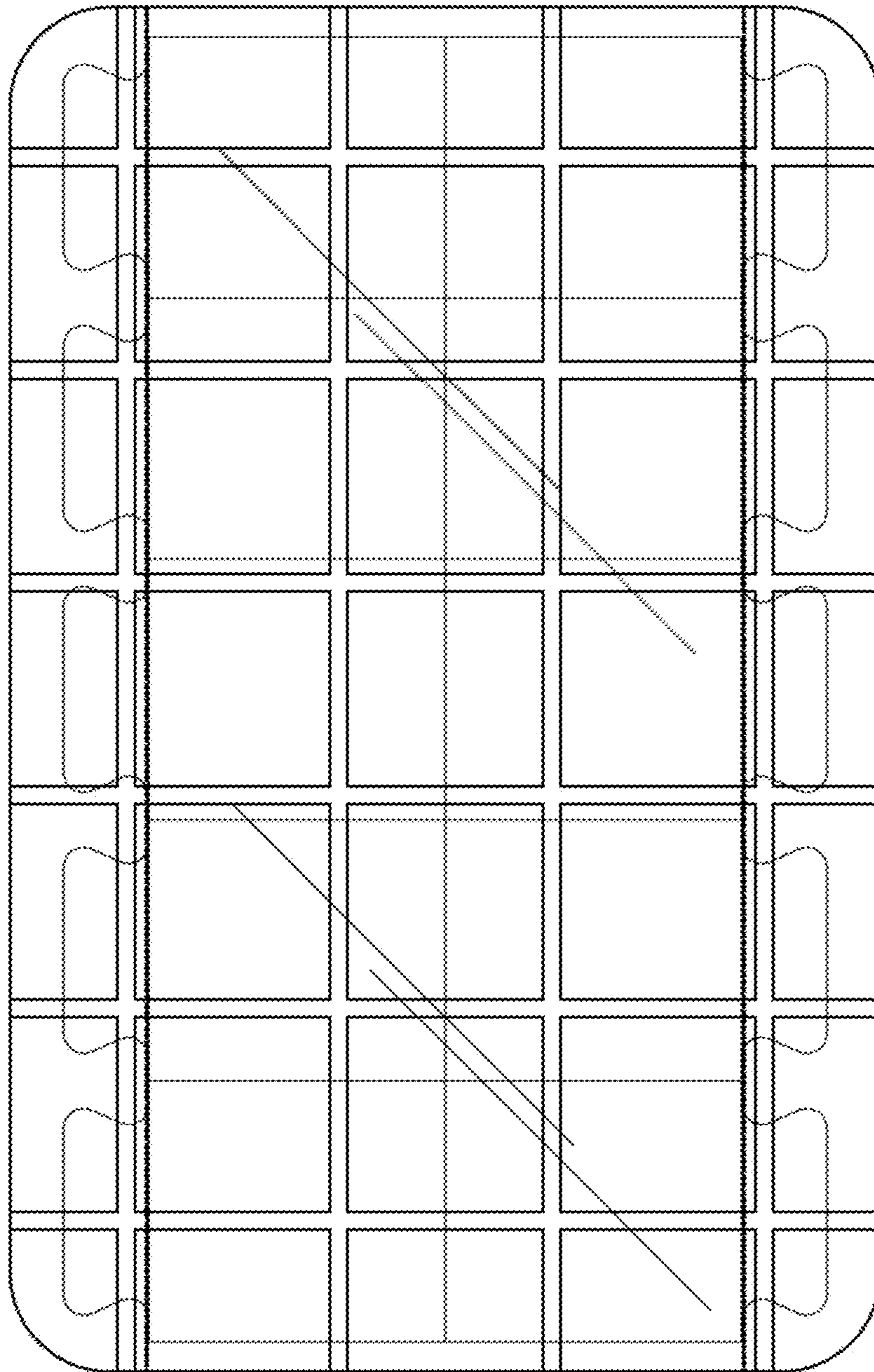


FIG. 4



FIG. 5



FIG. 6



FIG. 7

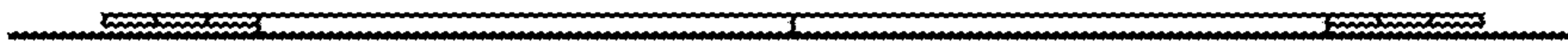


FIG. 8

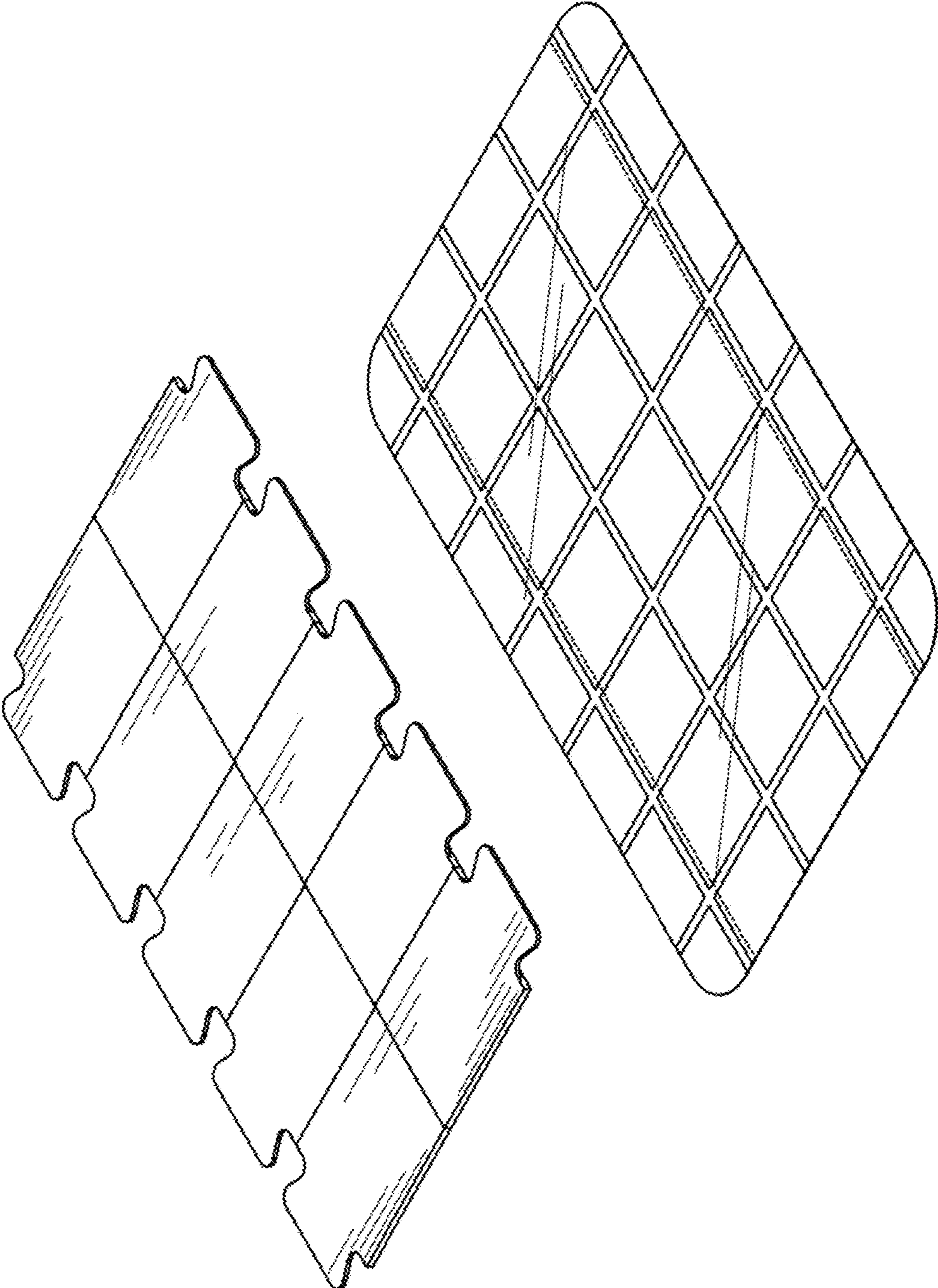


FIG. 9

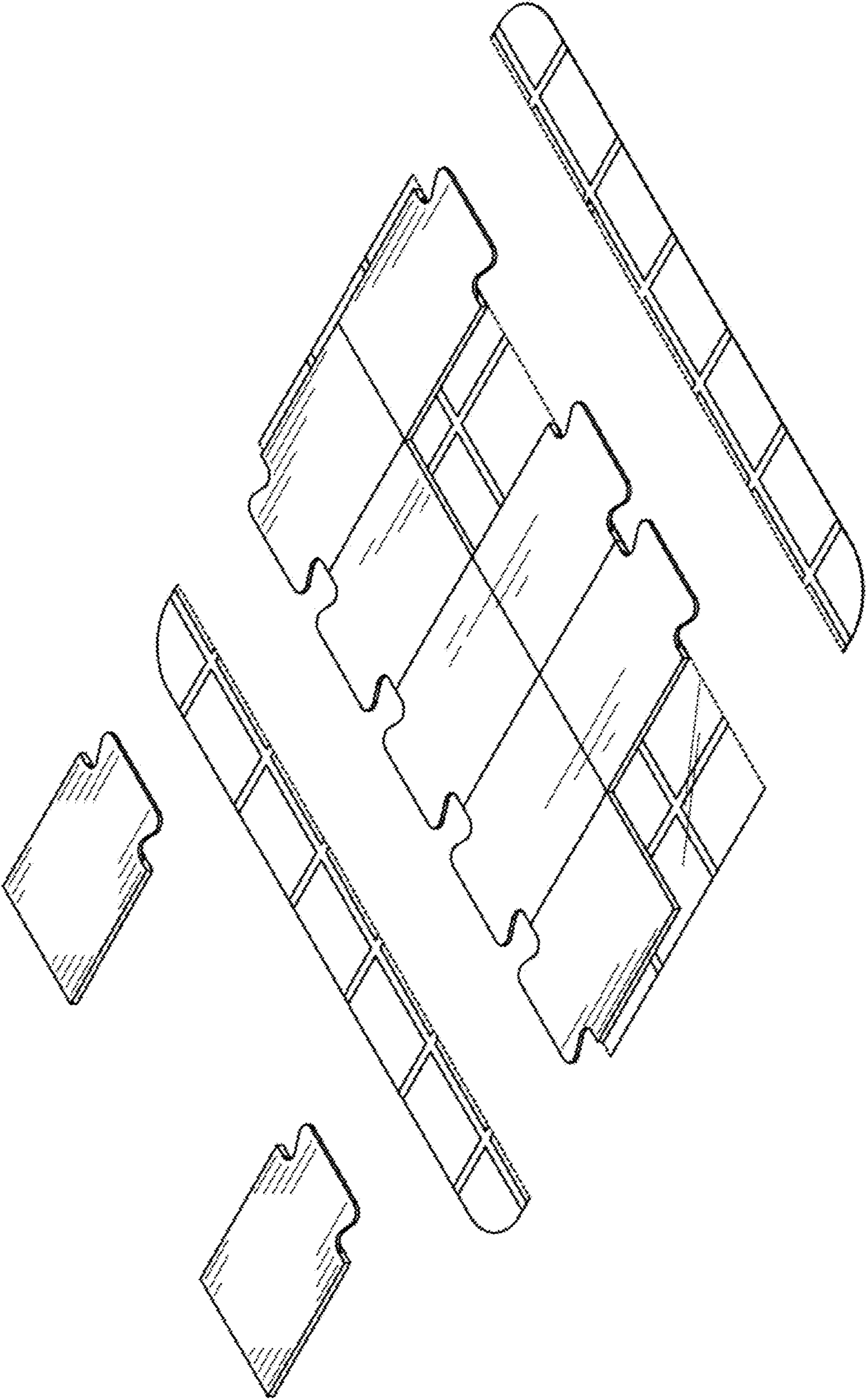


FIG. 10

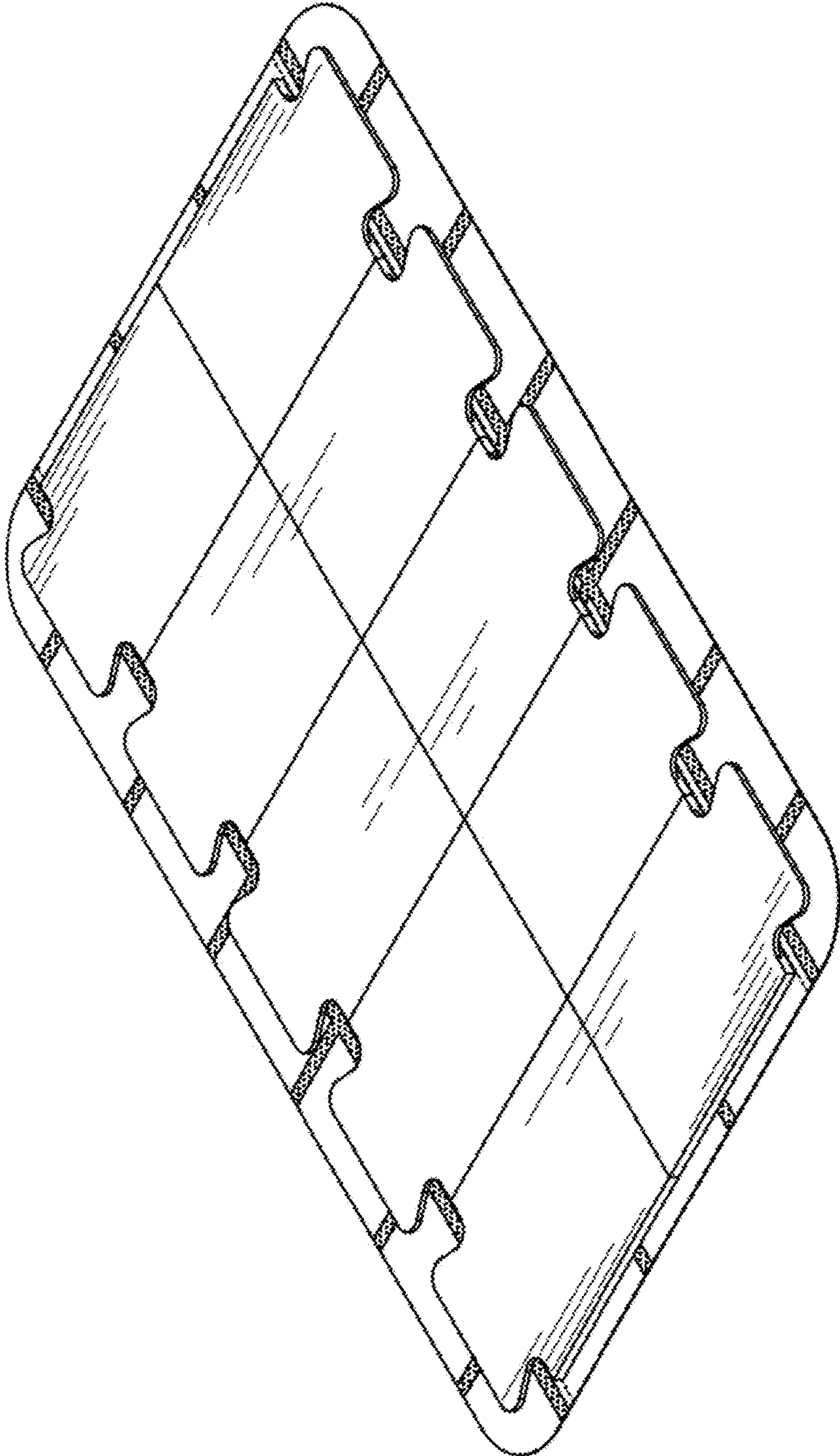


FIG. 11

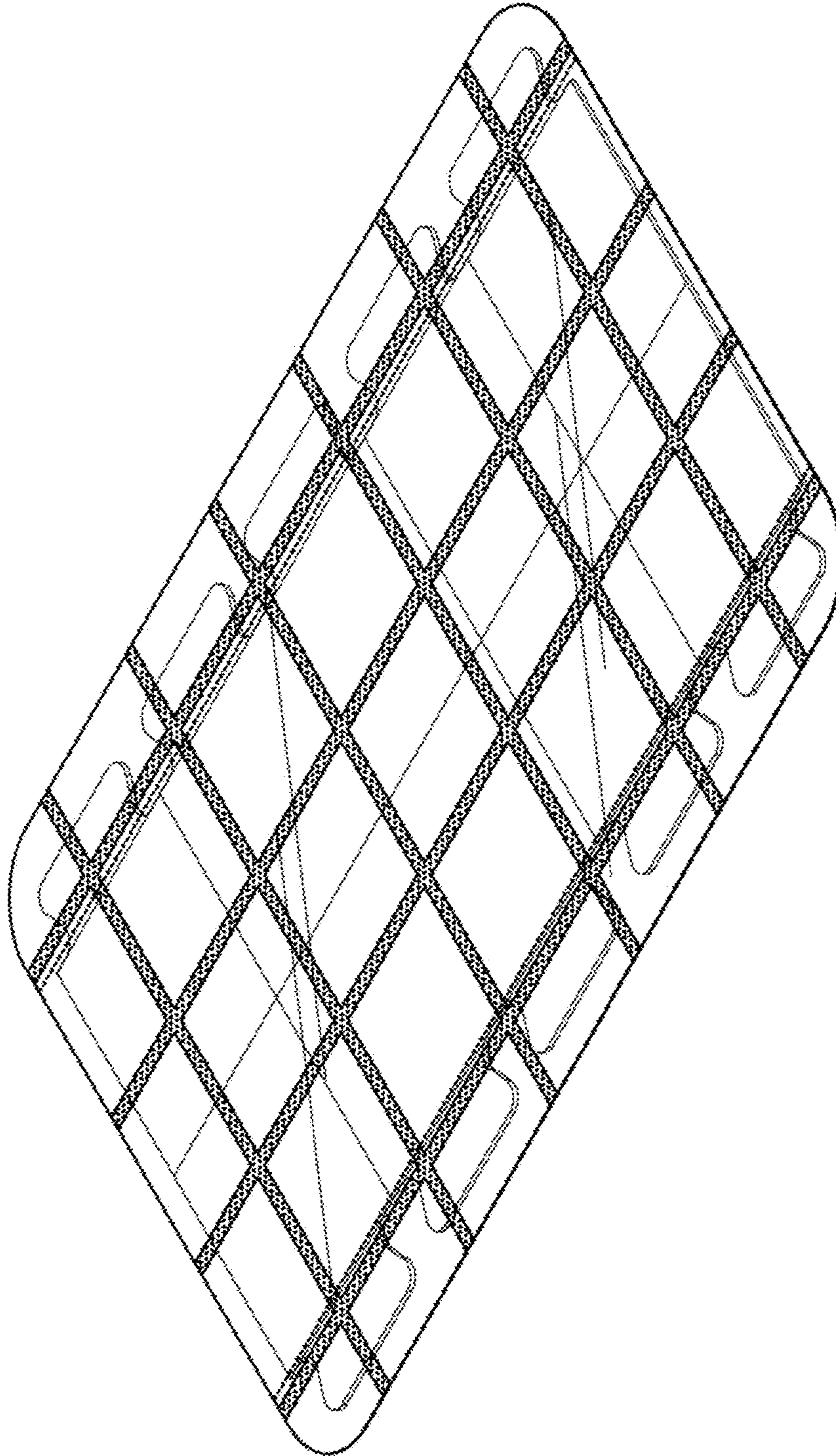


FIG. 12

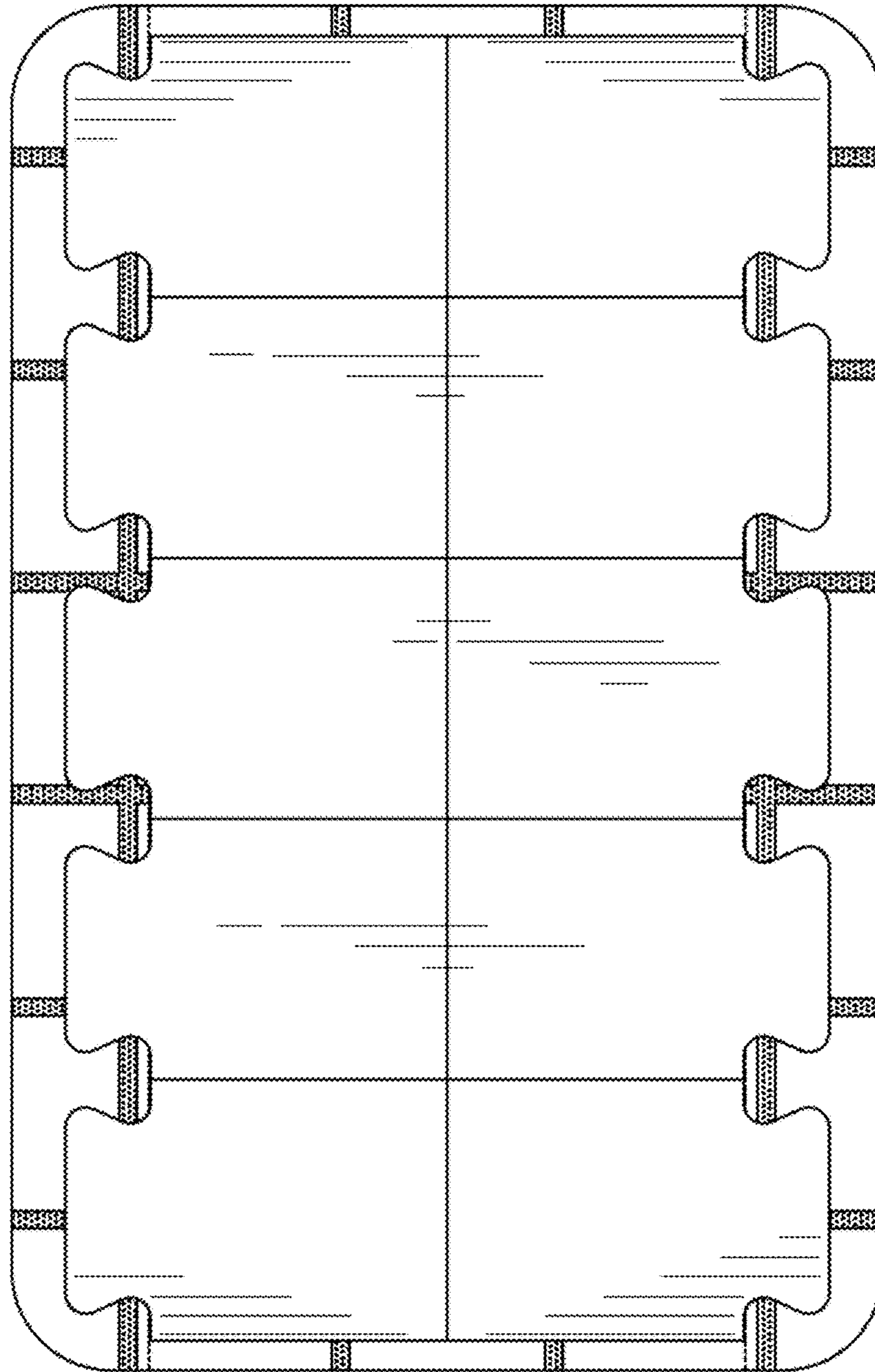


FIG. 13

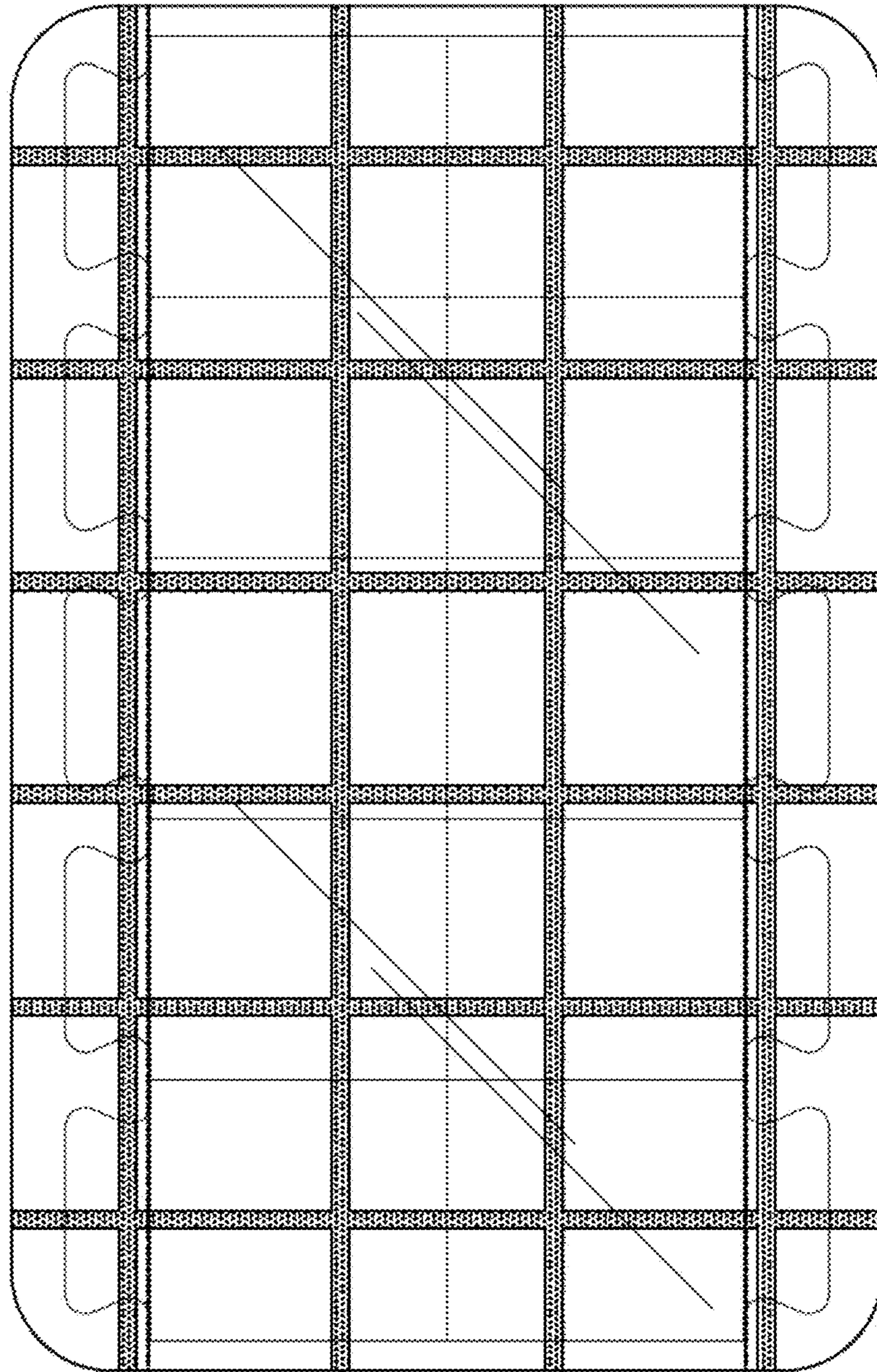


FIG. 14



FIG. 15



FIG. 16

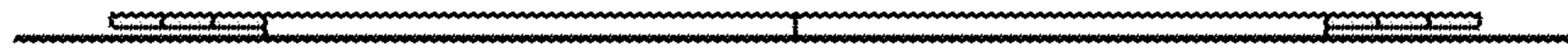


FIG. 17



FIG. 18

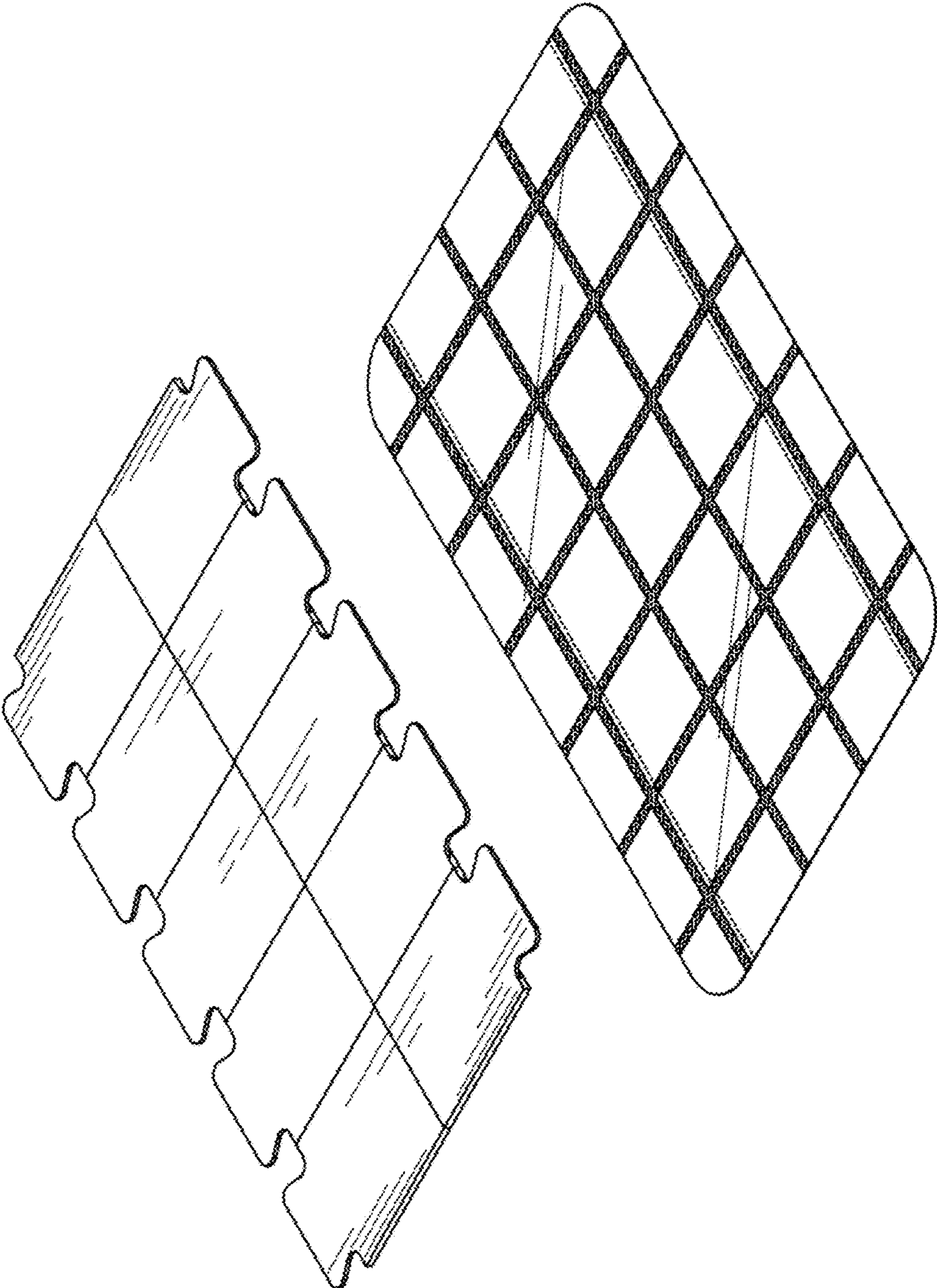


FIG. 19

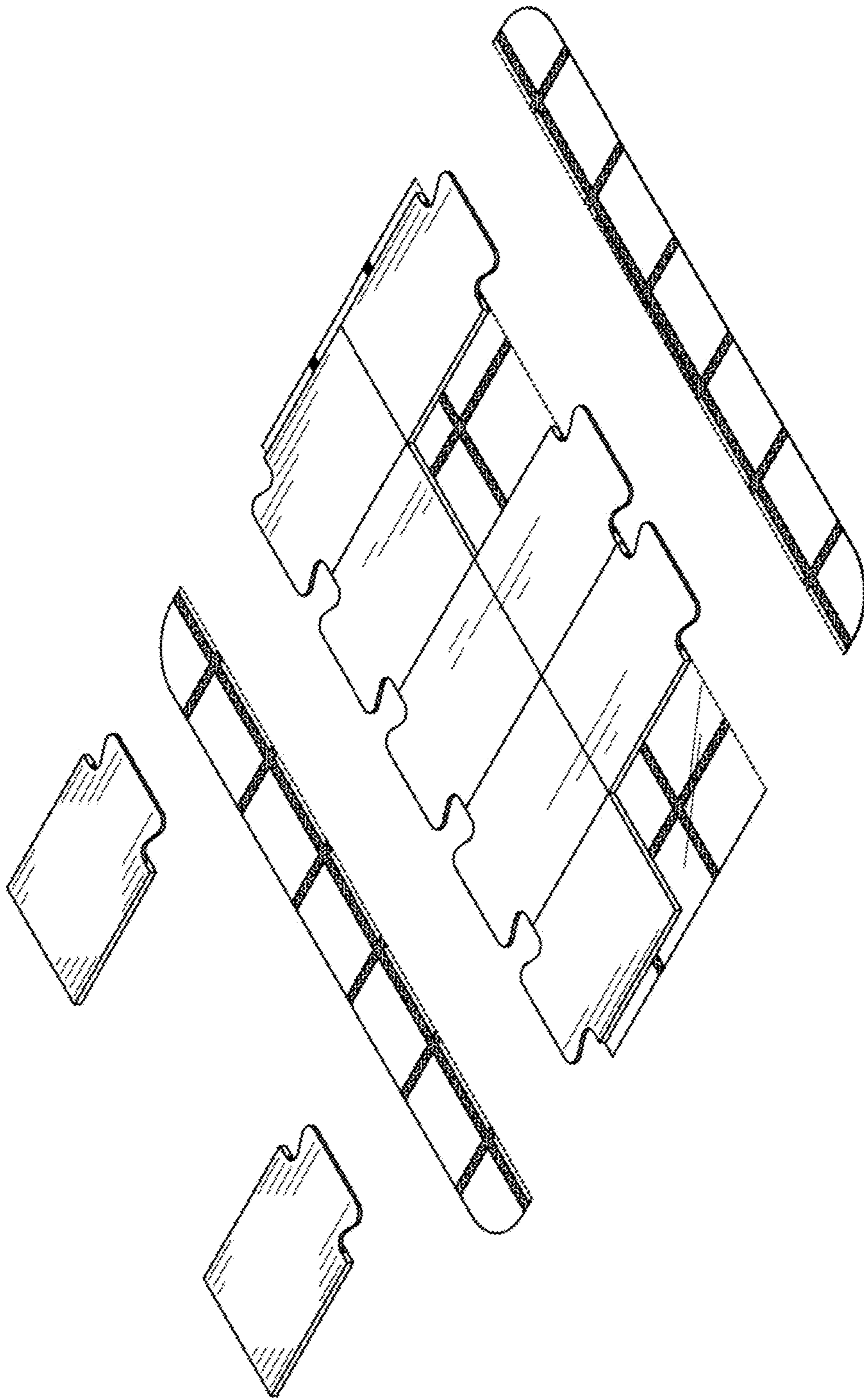


FIG. 20