



US00D829916S

(12) **United States Design Patent**  
**Eaton**

(10) **Patent No.:** **US D829,916 S**  
(45) **Date of Patent:** **\*\* Oct. 2, 2018**

- (54) **BITE BLOCK DEVICE**
- (71) Applicant: **The Lethean Company LLC**, Willow Street, PA (US)
- (72) Inventor: **Peter David Eaton**, Willow Street, PA (US)
- (73) Assignee: **The Lethean Company LLC**, Arundel, ME (US)

8,820,320 B2 \* 9/2014 Filipi ..... A61M 16/0488  
128/200.26  
8,973,573 B2 \* 3/2015 Filipi ..... A61M 16/0488  
128/200.26  
9,849,259 B2 \* 12/2017 Colman ..... A61M 16/0488  
2014/0007868 A1 \* 1/2014 Eaton ..... A61M 16/0488  
128/200.26  
2017/0203067 A1 \* 7/2017 Eaton ..... A61M 16/0497  
2017/0238796 A1 \* 8/2017 Lin ..... A61M 16/0495

(\*\*) Term: **15 Years**

\* cited by examiner

*Primary Examiner* — Wan Laymon

(74) *Attorney, Agent, or Firm* — May Eaton

(21) Appl. No.: **29/552,036**

(22) Filed: **Jan. 19, 2016**

(51) **LOC (11) Cl.** ..... **24-02**

(52) **U.S. Cl.**  
USPC ..... **D24/181**

(58) **Field of Classification Search**  
USPC ..... D24/176–182, 191, 164, 110, 110.5,  
D24/110.4  
CPC ..... A61M 16/0488; A61M 16/049; A61M  
16/0493; A61M 16/0495; A61M 16/0497;  
A63B 71/085  
See application file for complete search history.

(57) **CLAIM**

The ornamental design for a bite-block device, as shown and described.

**DESCRIPTION**

FIG. 1 is a front elevation view of a bite-block device showing the new design.

FIG. 2 is a top view a bite-block device showing the new design.

FIG. 3 is a side elevation view of a bite-block device showing the new design.

FIG. 4 is a cross-sectional view of a bite-block device taken in the direction of line 4-4 of FIG. 1 showing the new design; and,

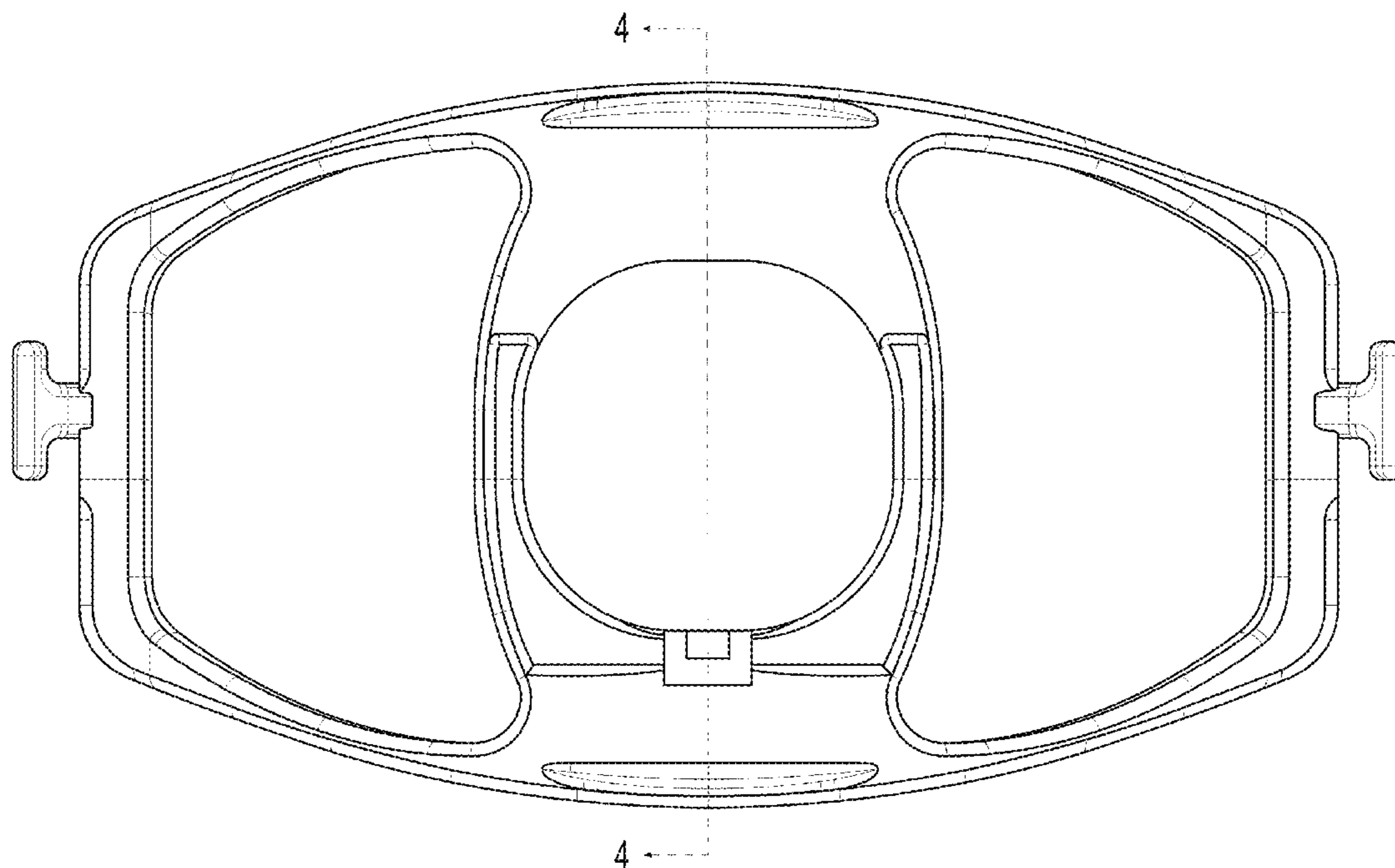
FIG. 5 is a cross-sectional view of a bite-block device showing the new design.

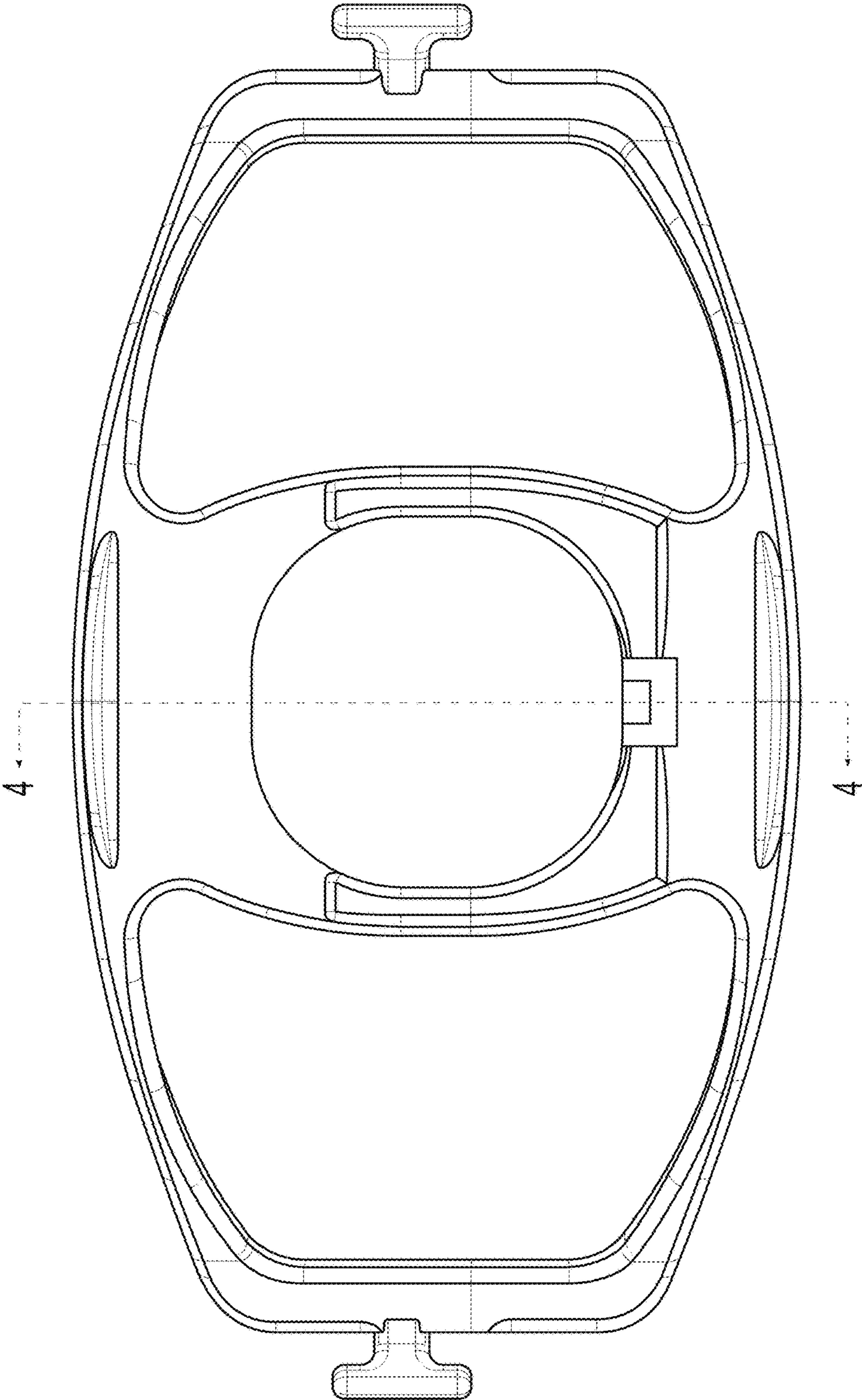
(56) **References Cited**

**U.S. PATENT DOCUMENTS**

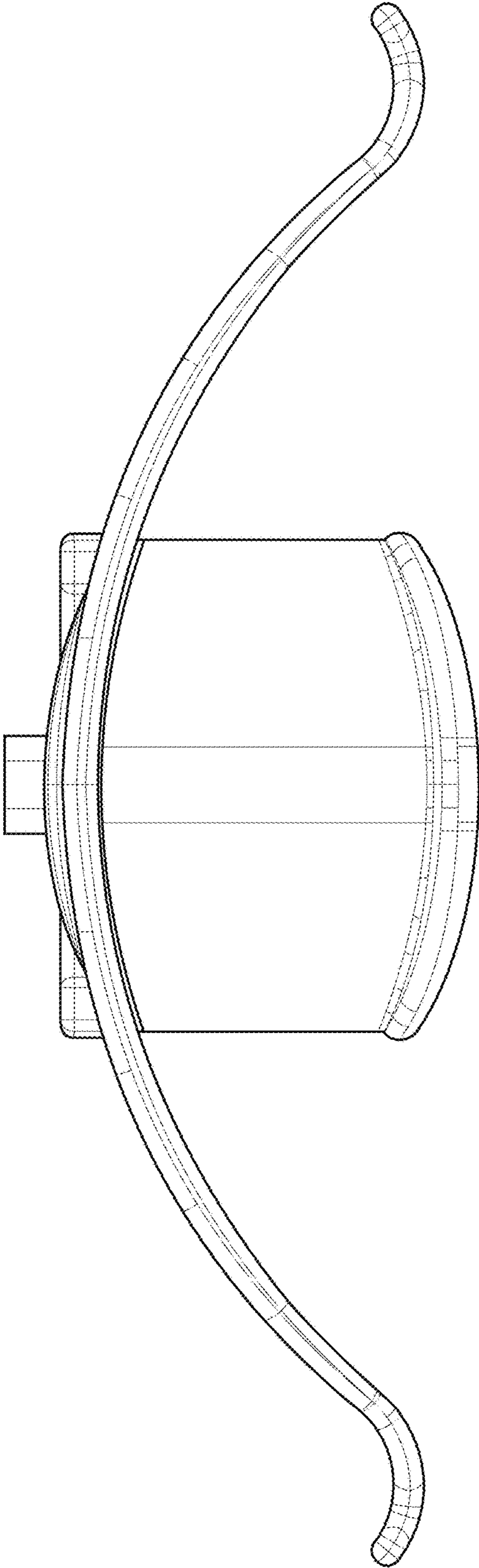
D283,158 S \* 3/1986 Jackson ..... D24/176  
D329,901 S \* 9/1992 Jackson ..... D24/176  
5,421,327 A \* 6/1995 Flynn ..... A61M 16/0488  
128/200.26  
D662,586 S \* 6/2012 Coath ..... D24/176

**1 Claim, 4 Drawing Sheets**

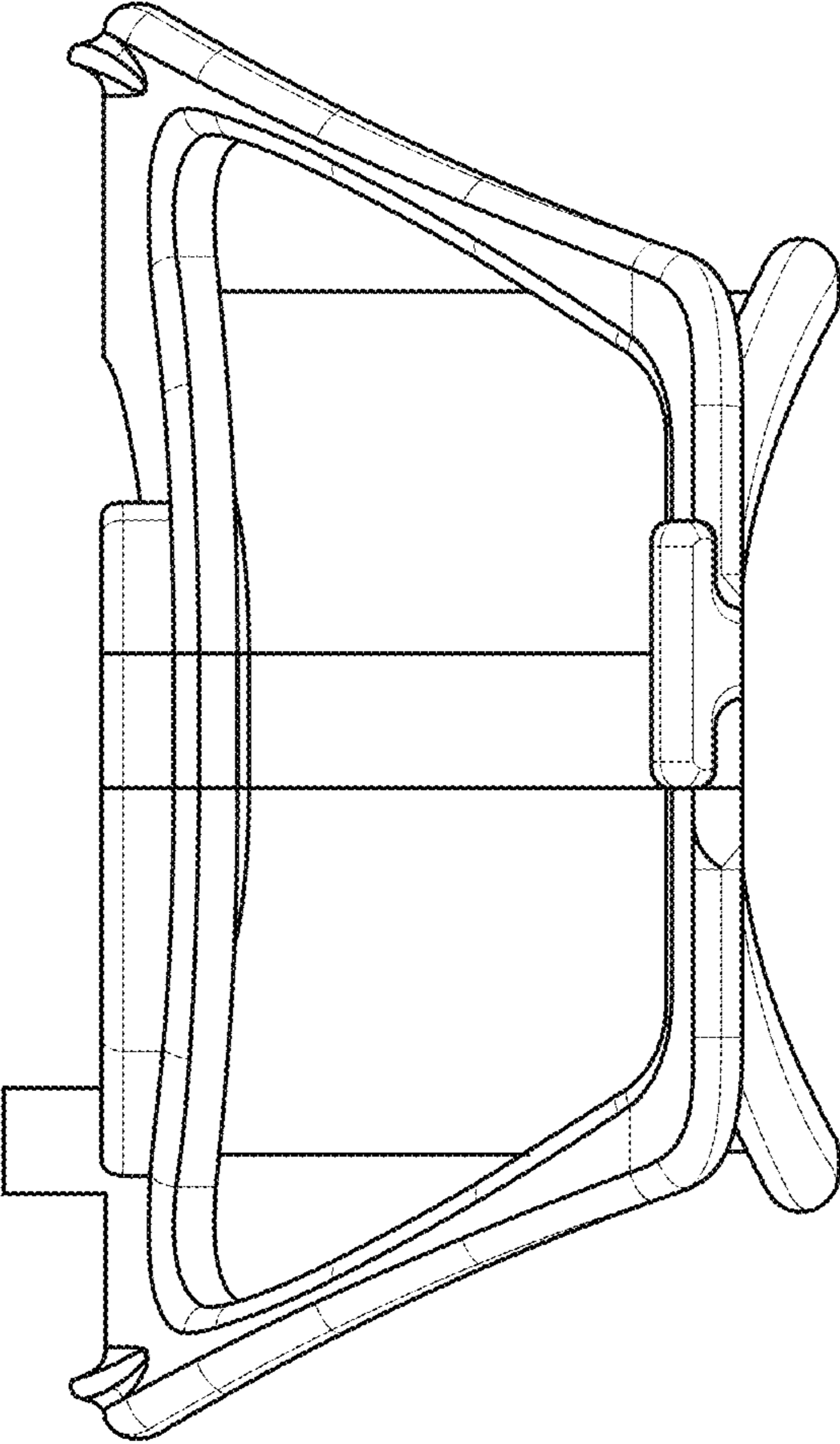




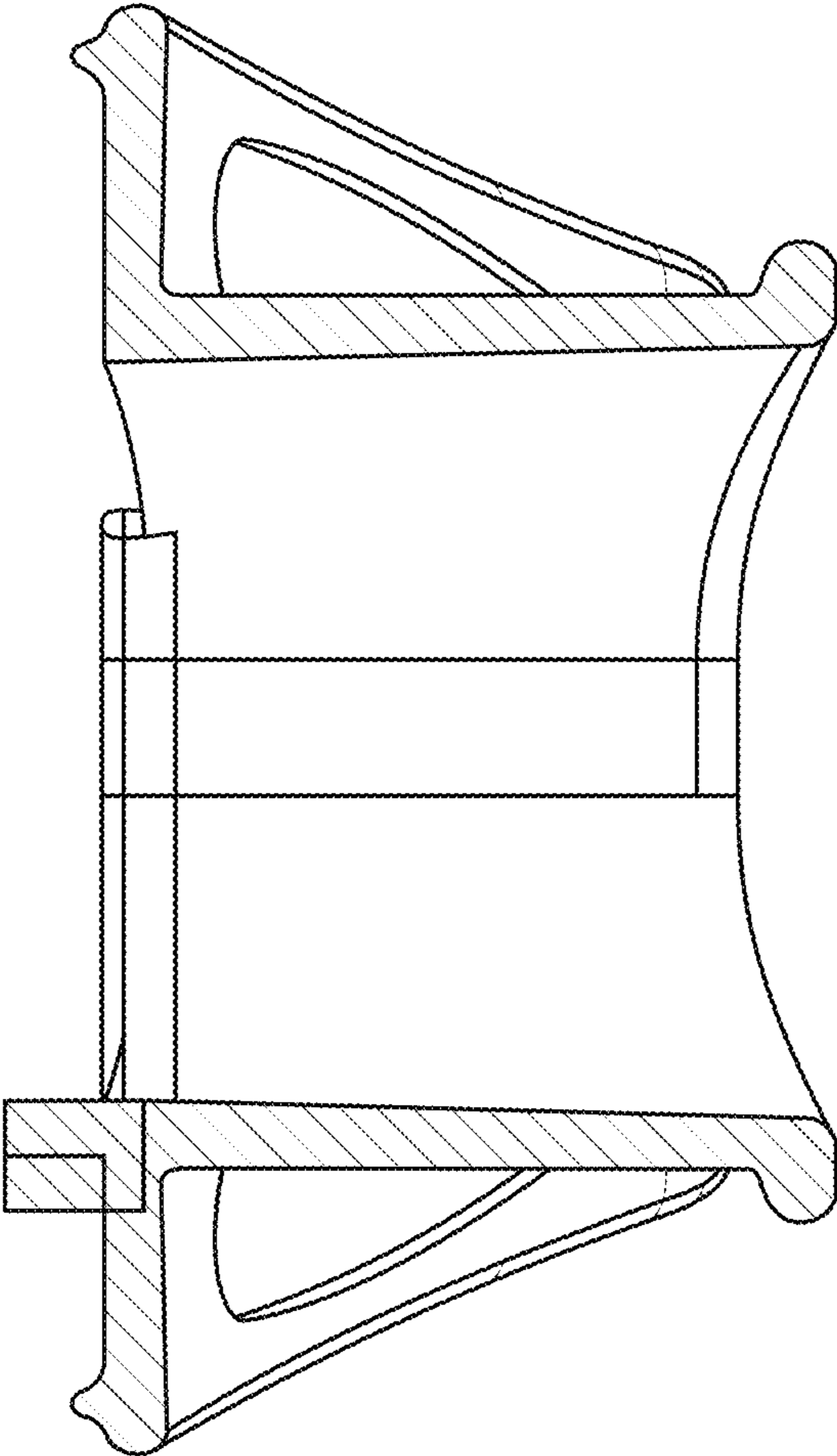
**FIG. 1**



**FIG. 2**



**FIG. 3**



**FIG. 4**