

US00D829914S

(12) **United States Design Patent**
Markus

(10) **Patent No.:** **US D829,914 S**

(45) **Date of Patent:** **** Oct. 2, 2018**

(54) **DEVICE FOR OPERATING A LASER
ABLATION CATHETER**

(71) Applicant: **VIMECON GMBH**, Herzogenrath
(DE)

(72) Inventor: **Kai U. Markus**, Eschweiler (DE)

(**) Term: **15 Years**

(21) Appl. No.: **35/501,211**

(22) Filed: **Jan. 12, 2016**

(80) **Hague Agreement Data**

Int. Filing Date: **Jan. 12, 2016**
Int. Reg. No.: **DM/090651**
Int. Reg. Date: **Jan. 12, 2016**
Int. Reg. Pub. Date: **Jul. 15, 2016**

(51) **LOC (11) Cl.** **24-00**

(52) **U.S. Cl.**
USPC **D24/170**

(58) **Field of Classification Search**
USPC D24/170, 185, 200; D13/112; 601/152,
601/18
CPC A61H 9/0078; A61N 1/06
See application file for complete search history.

(56) **References Cited**

U.S. PATENT DOCUMENTS

D652,521 S * 1/2012 Ross D24/185
D652,936 S * 1/2012 Ross D24/185

D672,046 S * 12/2012 Fuster D24/200
D700,706 S * 3/2014 Molter D24/185
D702,842 S * 4/2014 Hyde D24/185
D712,833 S * 9/2014 George D13/112
D735,868 S * 8/2015 Mareguddi D24/185
D752,231 S * 3/2016 Halter D24/185
2013/0324896 A1 * 12/2013 Farese A61H 9/0078
601/152
2014/0194789 A1 * 7/2014 Ko A61N 1/06
601/18

* cited by examiner

Primary Examiner — Rhea Shields

(74) *Attorney, Agent, or Firm* — Harris Beach PLLC

(57) **CLAIM**

The ornamental design for a device for operating a laser ablation catheter, as shown and described.

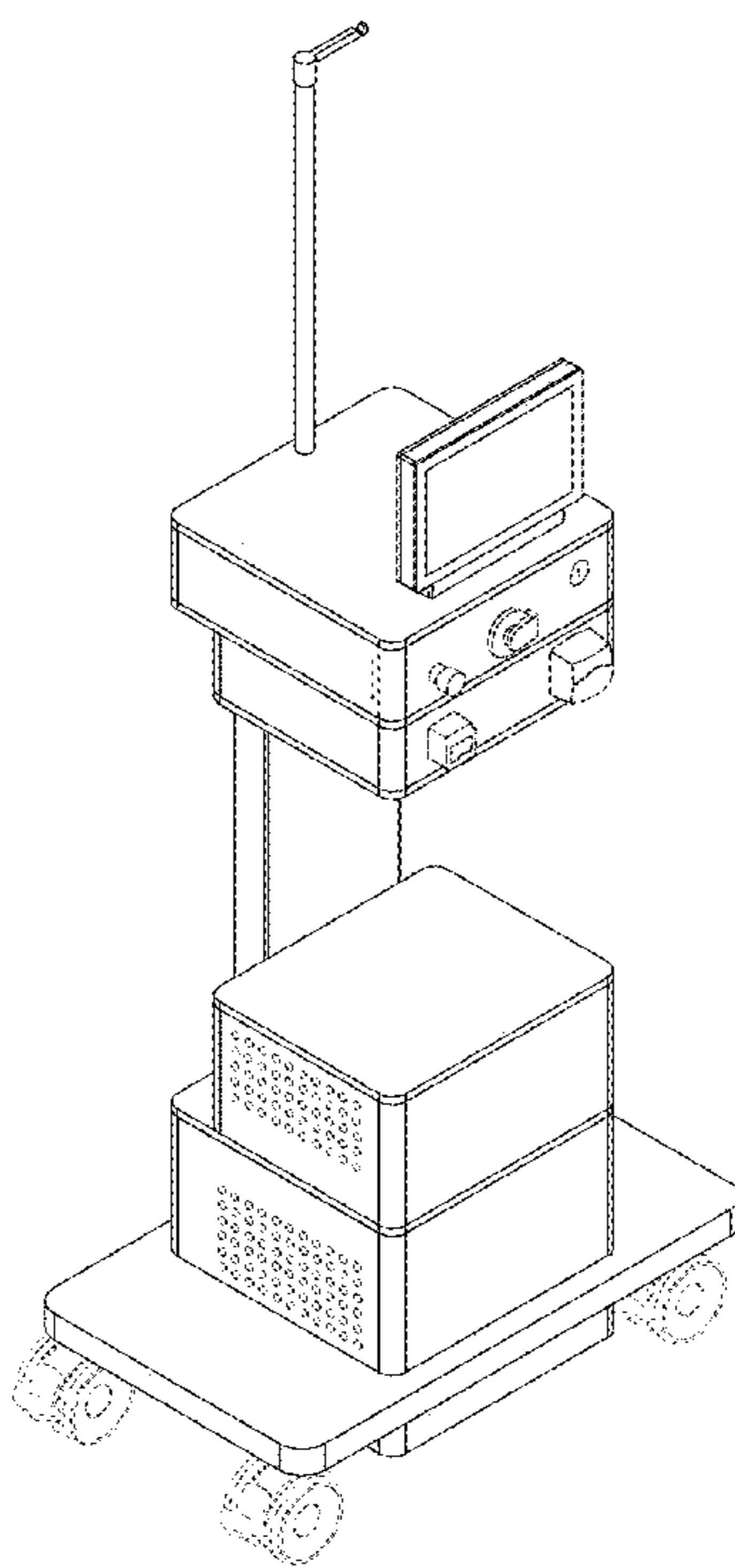
DESCRIPTION

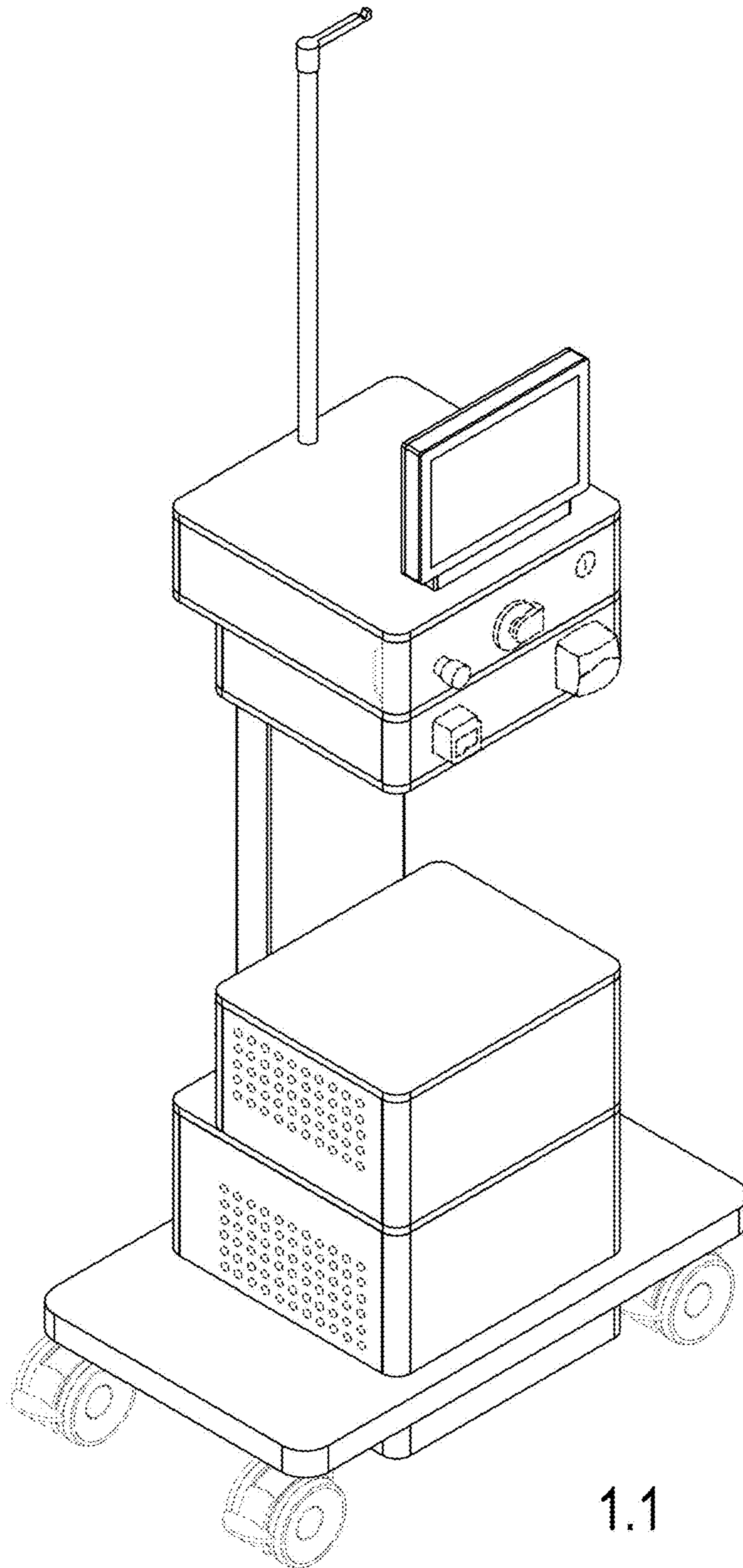
Device for operating a laser ablation catheter

- 1.1 is a perspective view;
- 1.2 is a front view;
- 1.3 is a back view;
- 1.4 is a side view;
- 1.5 is a side view;
- 1.6 is a top view; and
- 1.7 is a bottom view.

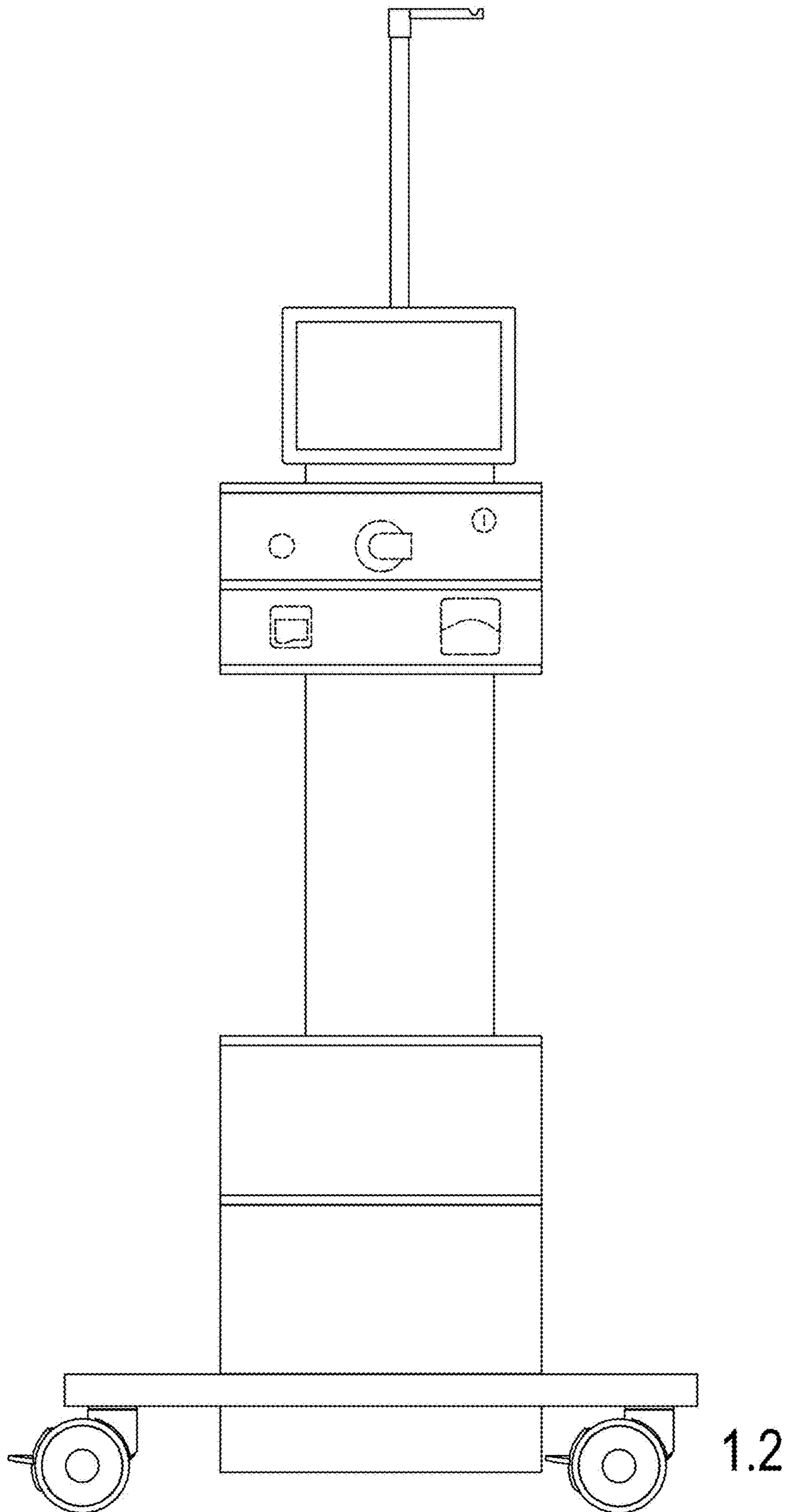
In the drawings, the broken lines are for the purpose of illustrating environment only and form no part of the claimed design.

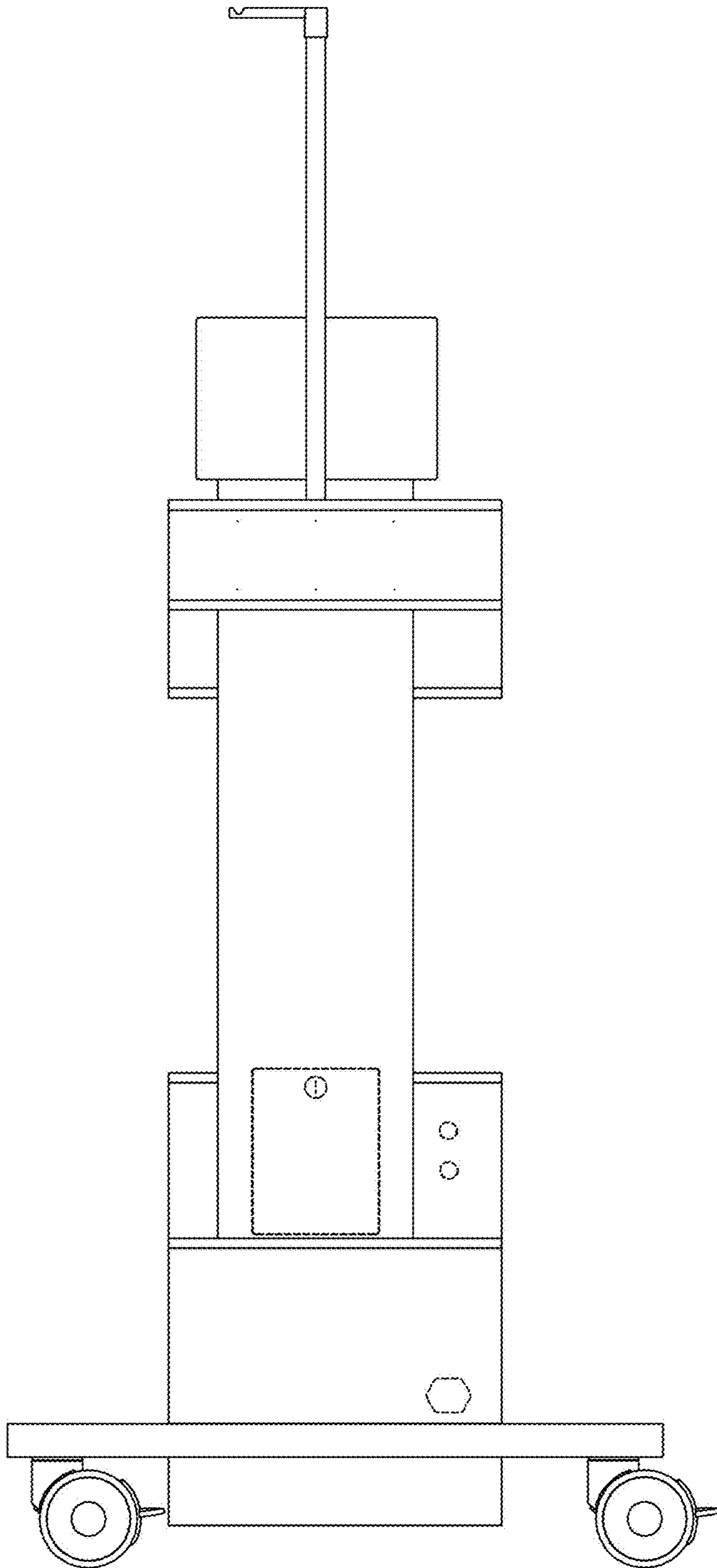
1 Claim, 7 Drawing Sheets



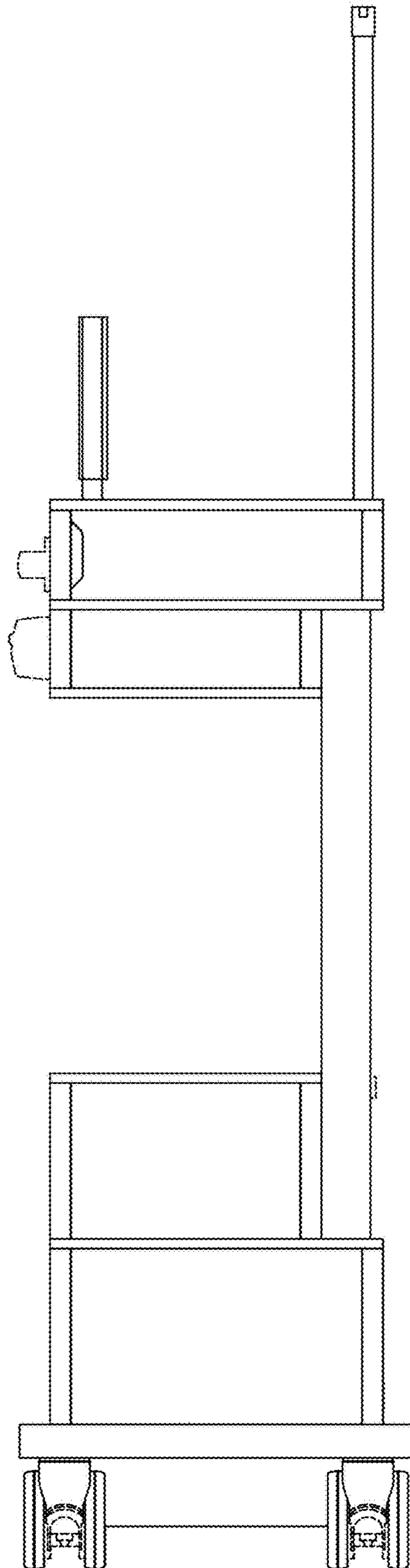


1.1

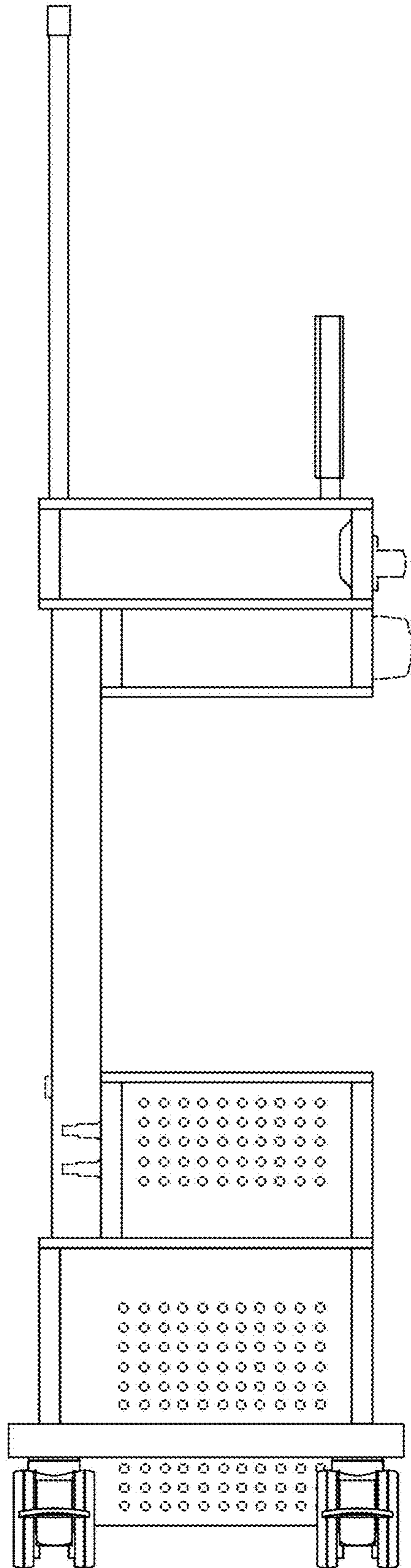




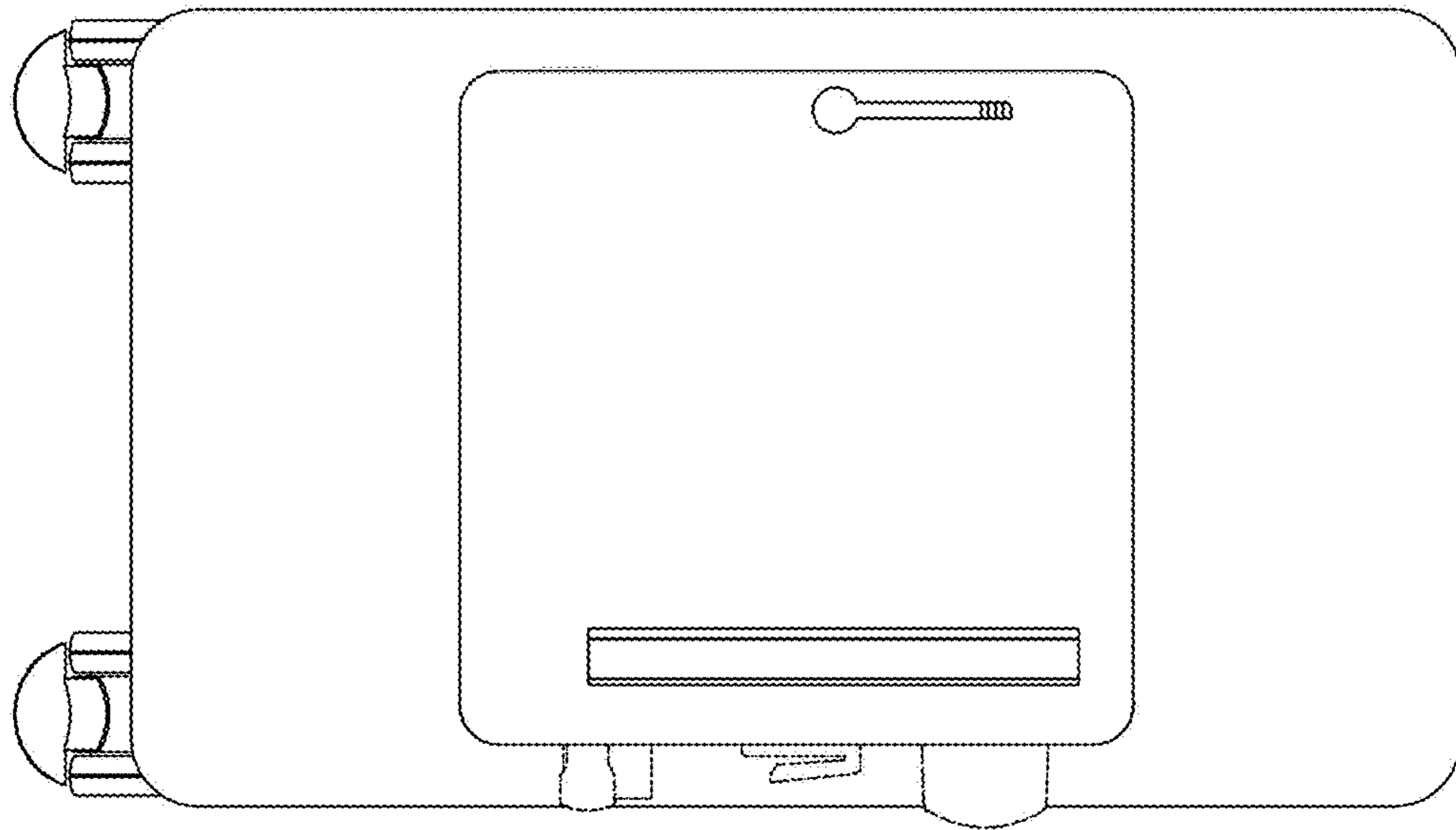
1.3



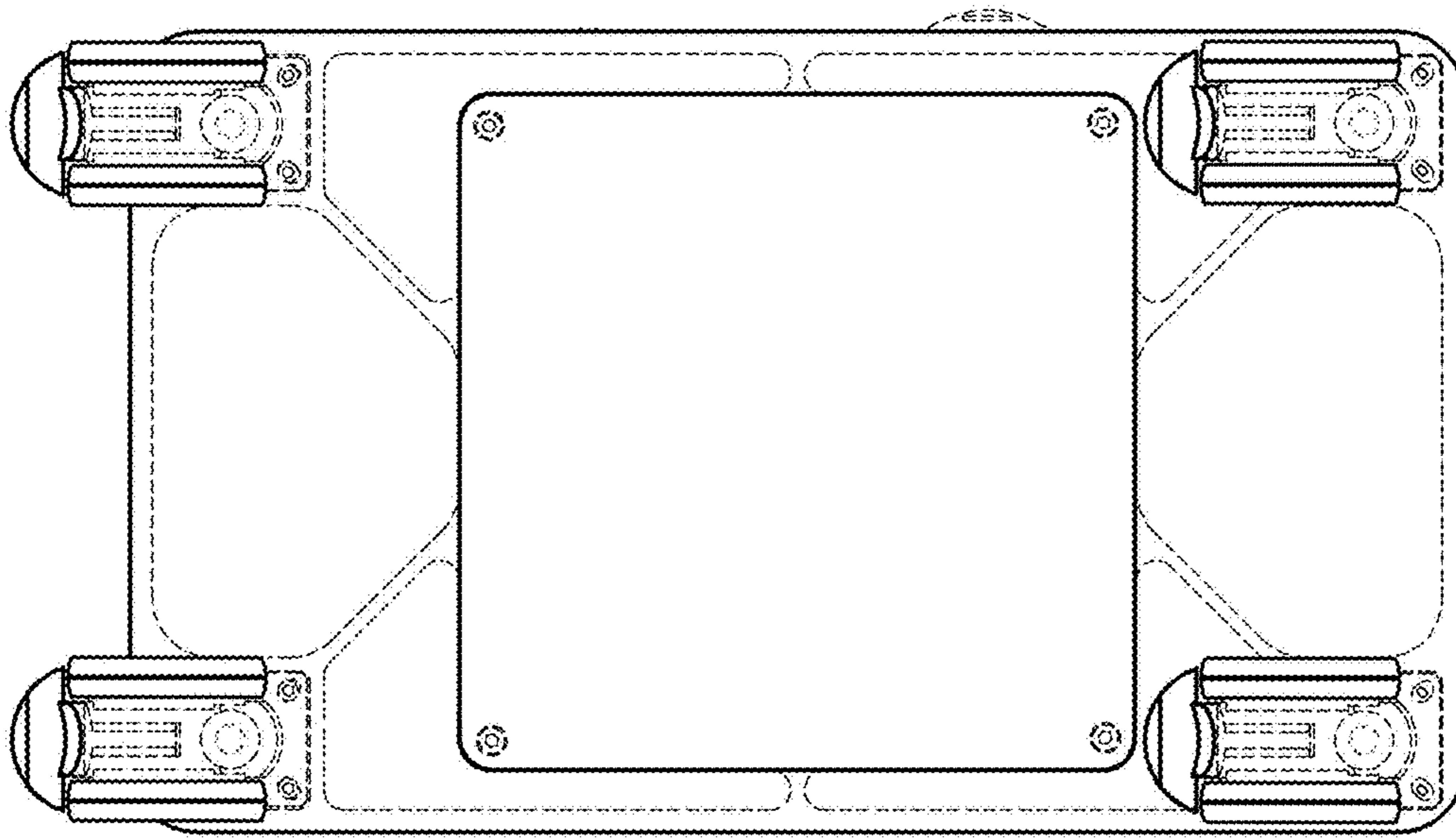
1.4



1.5



1.6



1.7