



US00D829913S

(12) **United States Design Patent**  
**Kitayama et al.**

(10) **Patent No.:** **US D829,913 S**

(45) **Date of Patent:** **\*\* Oct. 2, 2018**

(54) **BED OF A SCANNER FOR AN X-RAY  
TOMOGRAPHY DIAGNOSIS APPARATUS  
FOR MEDICAL USE**

D727,509 S \* 4/2015 Tan ..... D24/159  
D736,934 S \* 8/2015 Kim ..... D24/183  
D770,049 S \* 10/2016 Yanagihara ..... D24/159

(71) Applicant: **Canon Medical Systems Corporation,**  
Otawara-shi, Tochigi (JP)

(72) Inventors: **Masahiko Kitayama,** Tokyo (JP); **Jun  
Ooshima,** Nasushiobara (JP)

(73) Assignee: **Canon Medical Systems Corporation,**  
Otawara-shi (JP)

(\*\*) Term: **15 Years**

(21) Appl. No.: **29/601,250**

(22) Filed: **Apr. 20, 2017**

(30) **Foreign Application Priority Data**

Feb. 9, 2017 (JP) ..... 2017-002341

(51) **LOC (11) Cl.** ..... **24-01**

(52) **U.S. Cl.**  
USPC ..... **D24/159; D24/183**

(58) **Field of Classification Search**  
USPC ..... D24/158-161, 185, 186, 107, 183, 184  
CPC .. A61G 13/1235; A61G 2210/50; A61B 6/04;  
A61B 6/0407; A61F 5/3723; A61F  
5/3761

See application file for complete search history.

(56) **References Cited**

**U.S. PATENT DOCUMENTS**

7,020,917 B1 \* 4/2006 Kolody ..... A61B 6/0442  
108/28  
D553,246 S \* 10/2007 Banryu ..... D24/183  
D681,208 S \* 4/2013 Ninomiya ..... D24/159  
D701,605 S \* 3/2014 Ohmukai ..... D24/183  
D726,319 S \* 4/2015 Sul ..... D24/159

**FOREIGN PATENT DOCUMENTS**

JP 1241676 6/2005  
JP 1370712 3/2010  
JP 1470200 5/2013

\* cited by examiner

*Primary Examiner* — Anhdao Doan

(74) *Attorney, Agent, or Firm* — Finnegan, Henderson,  
Farabow, Garrett & Dunner LLP

(57) **CLAIM**

The ornamental design for a bed of a scanner for an x-ray tomography diagnosis apparatus for medical use, as shown and described.

**DESCRIPTION**

FIG. 1 is a perspective view of a bed of a scanner for an x-ray tomography diagnosis apparatus for medical use showing our new design;

FIG. 2 is another perspective view thereof;

FIG. 3 is a front elevational view thereof,

FIG. 4 is a rear elevational view thereof,

FIG. 5 is a top plan view thereof,

FIG. 6 is a bottom plan view thereof,

FIG. 7 is a left side elevational view thereof,

FIG. 8 is a right side elevational view thereof,

FIG. 9 is a right side elevational view where the bed is lowered thereof,

FIG. 10 is a front elevational view where the bed is lowered thereof,

FIG. 11 is a perspective view where the slide top table is moved thereof; and,

FIG. 12 is a perspective view where the upper portion of the slide bed is moved thereof.

**1 Claim, 9 Drawing Sheets**

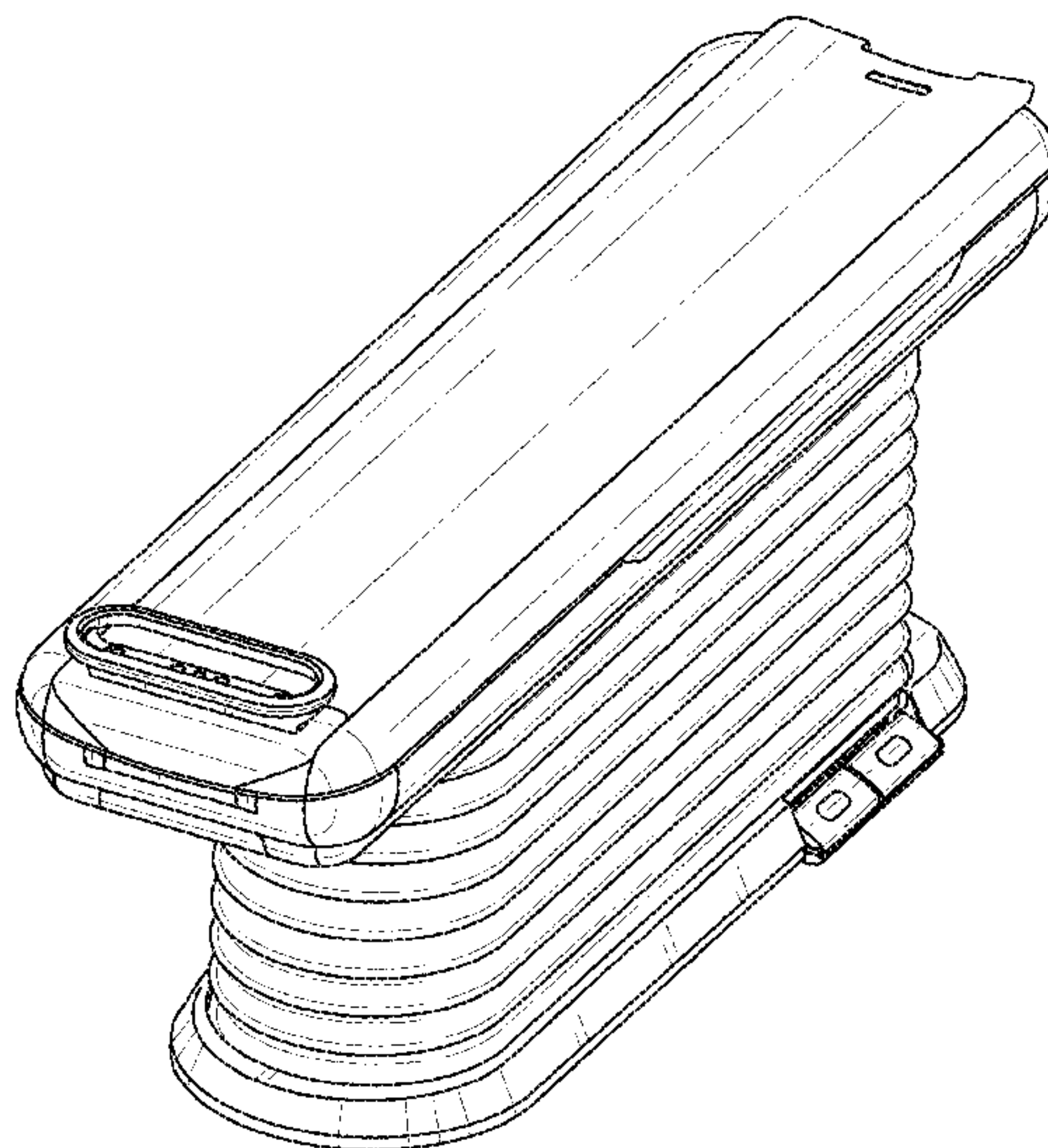


Fig. 1

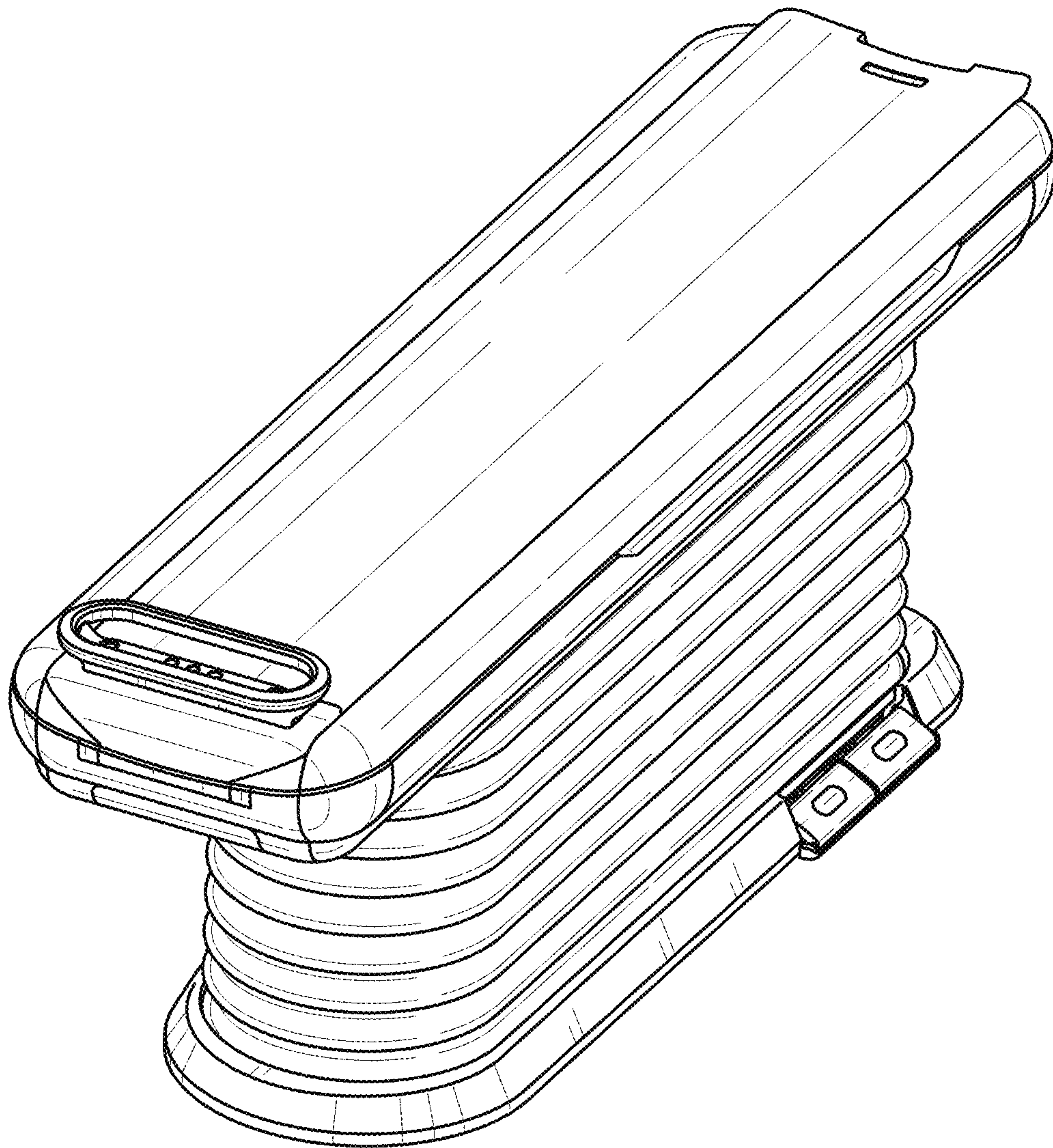




Fig. 2

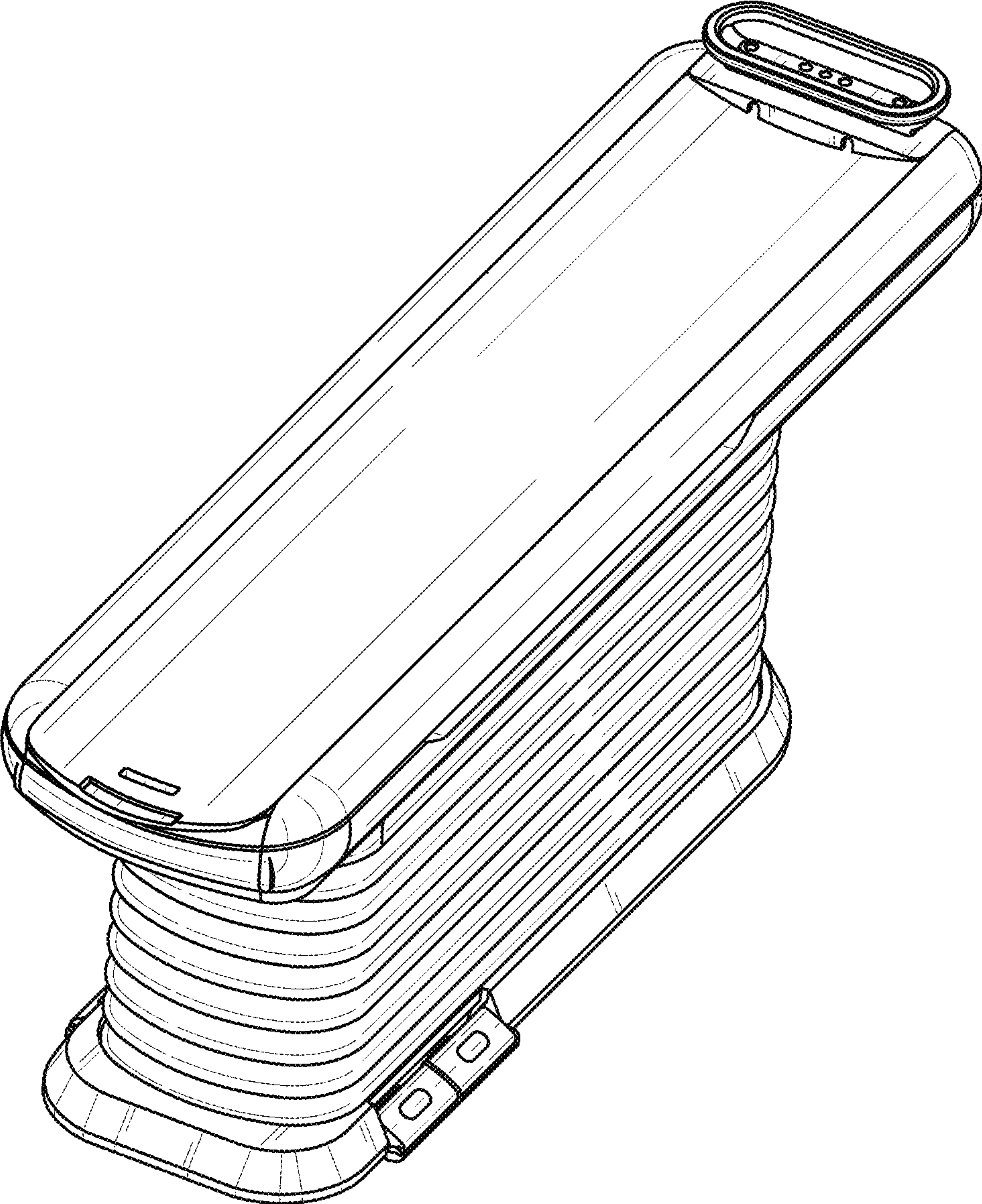


Fig. 3

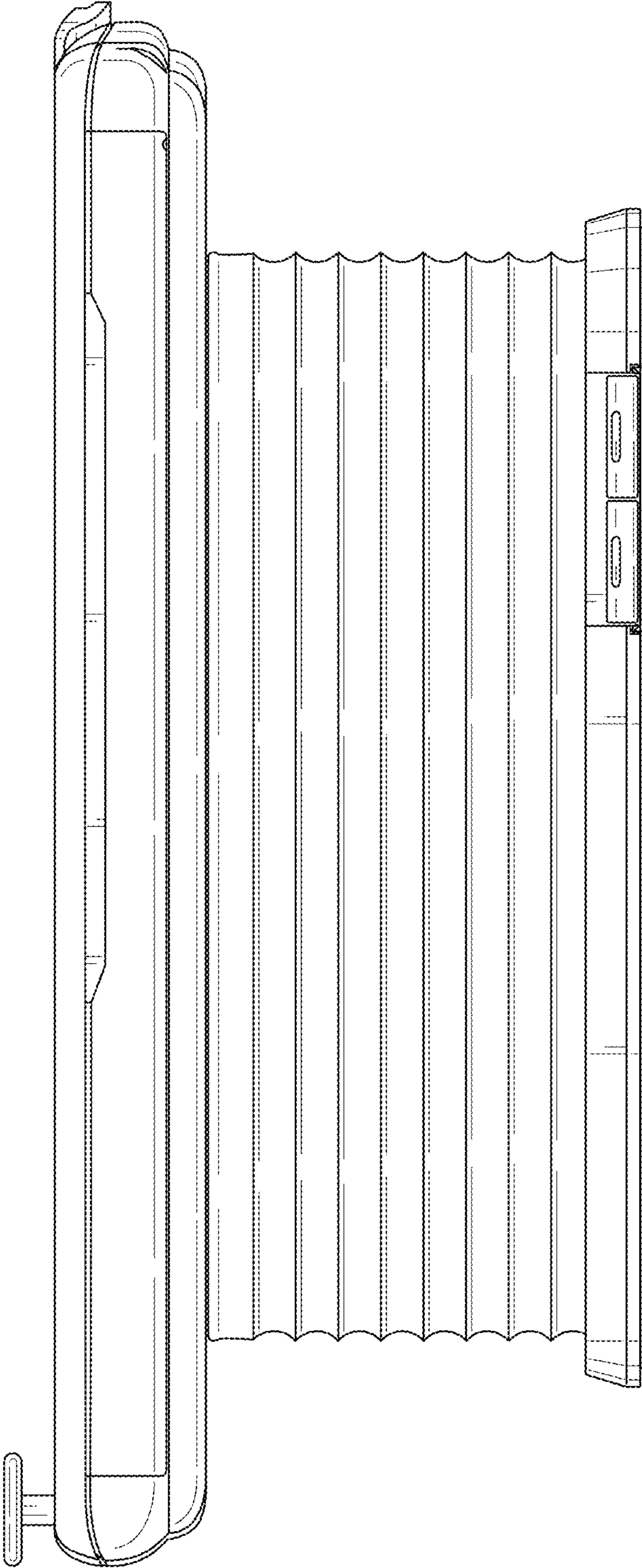


Fig. 4





Fig. 5

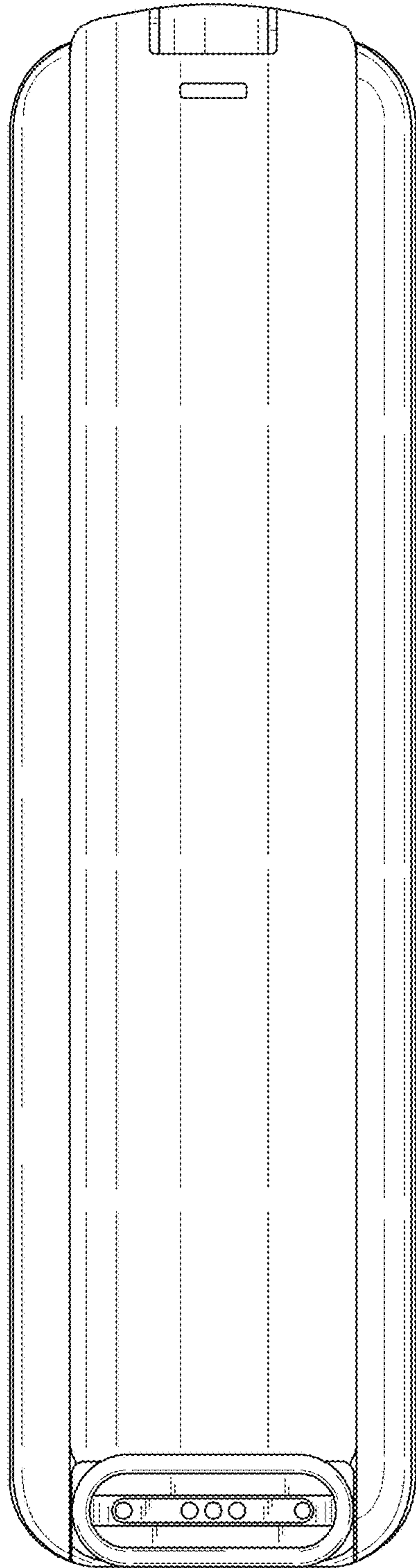


Fig. 6

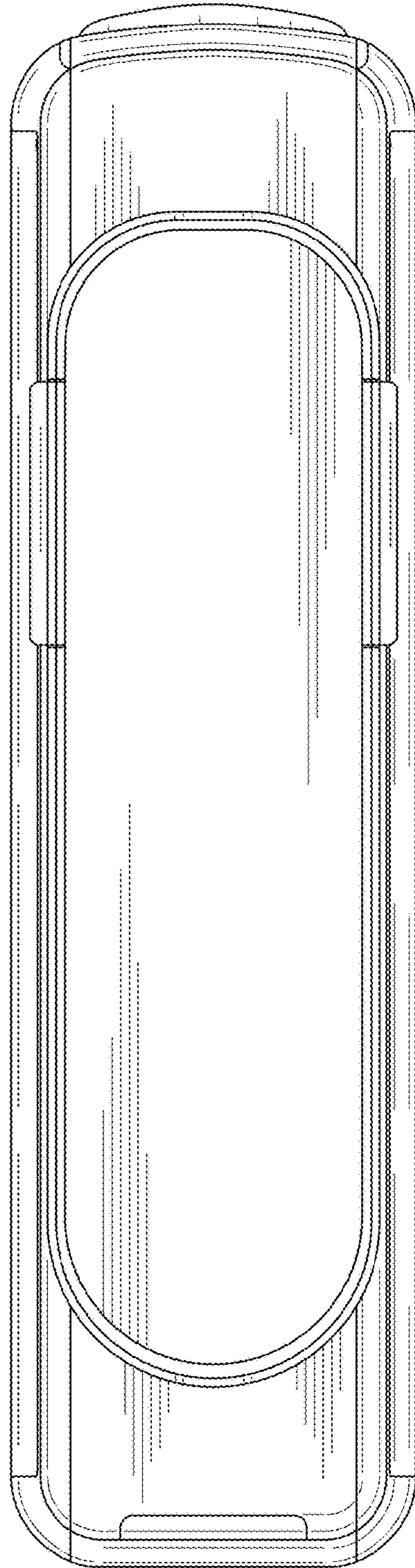


Fig. 7

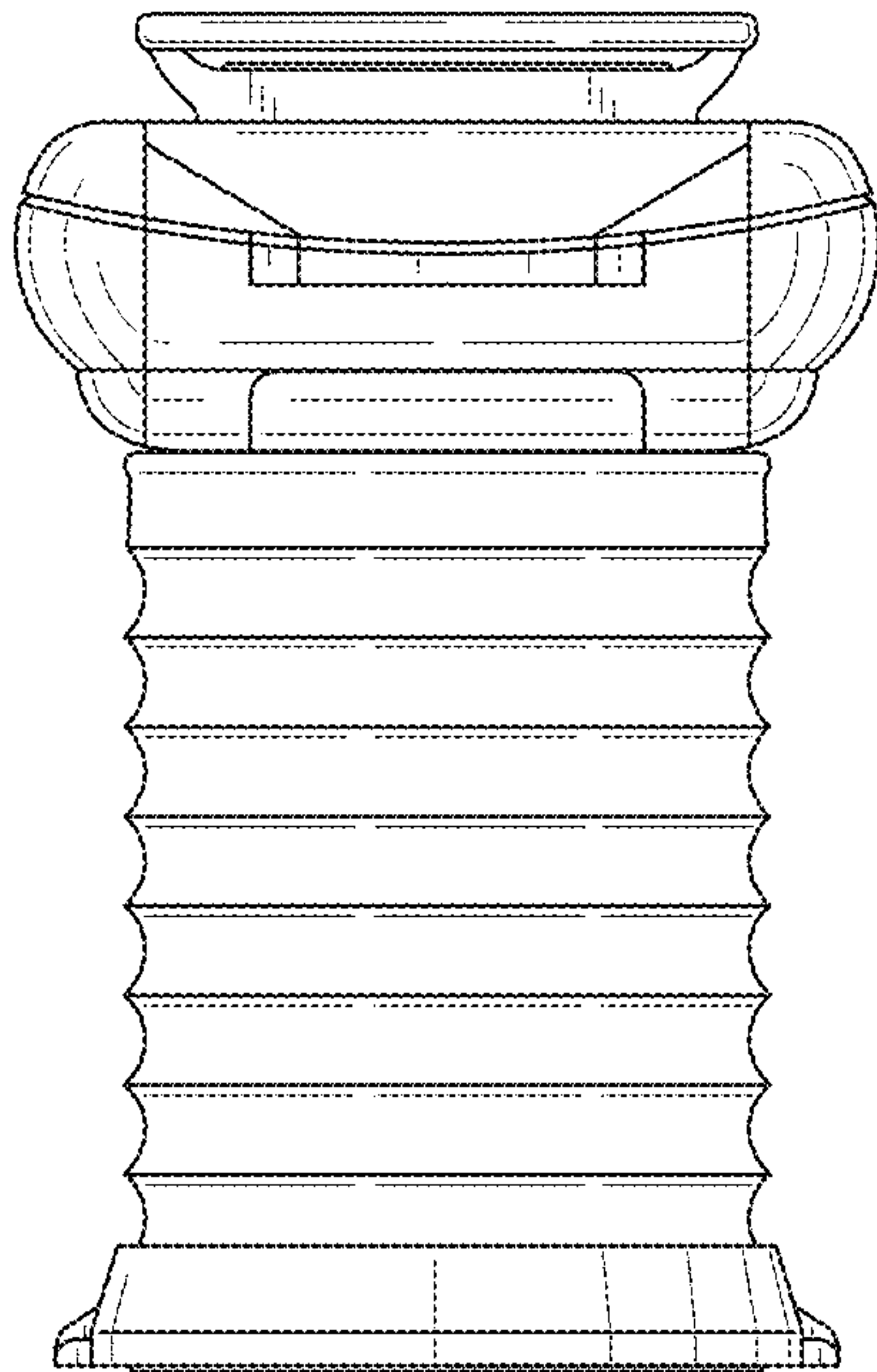


Fig. 8

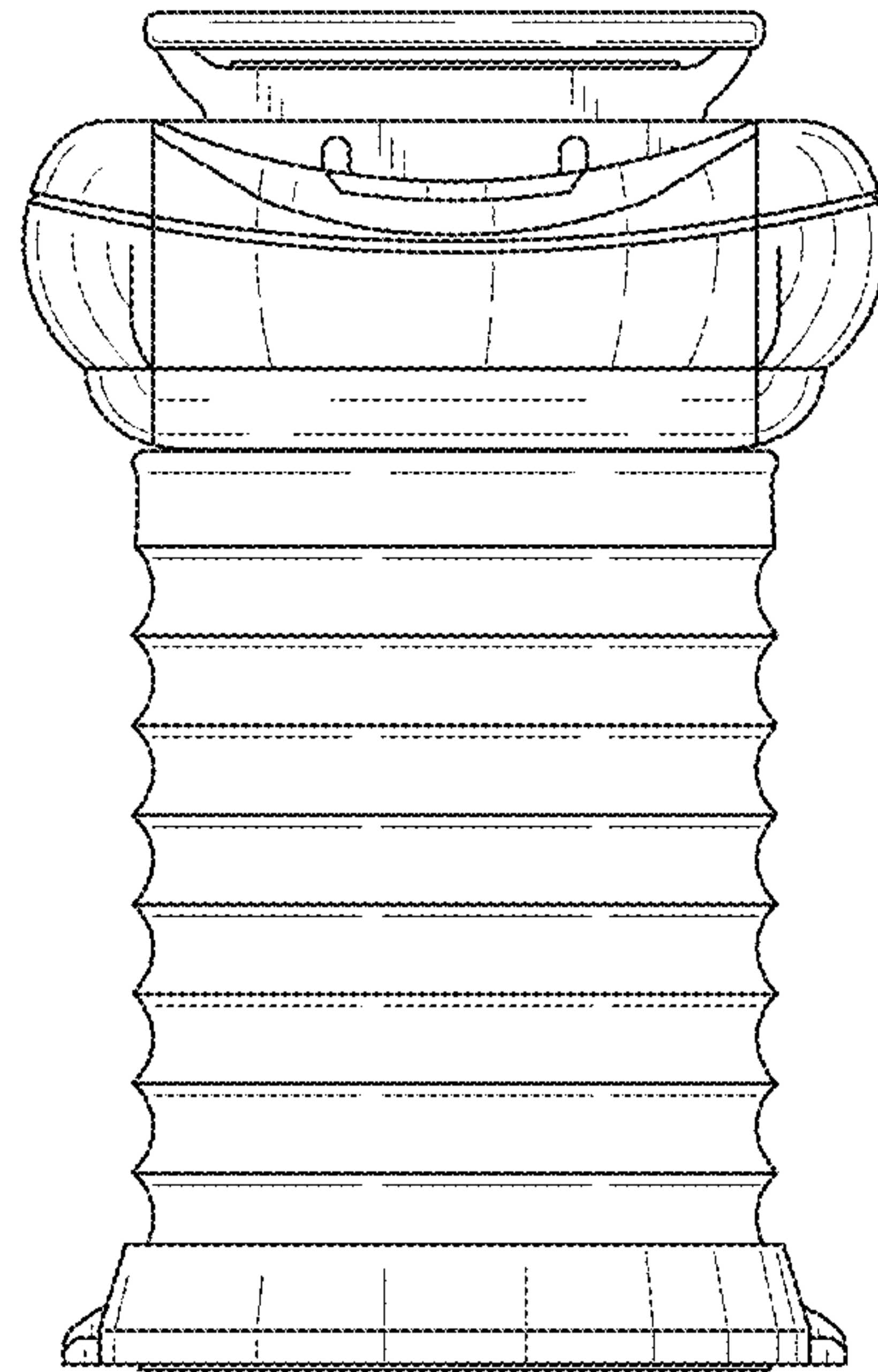


Fig. 9

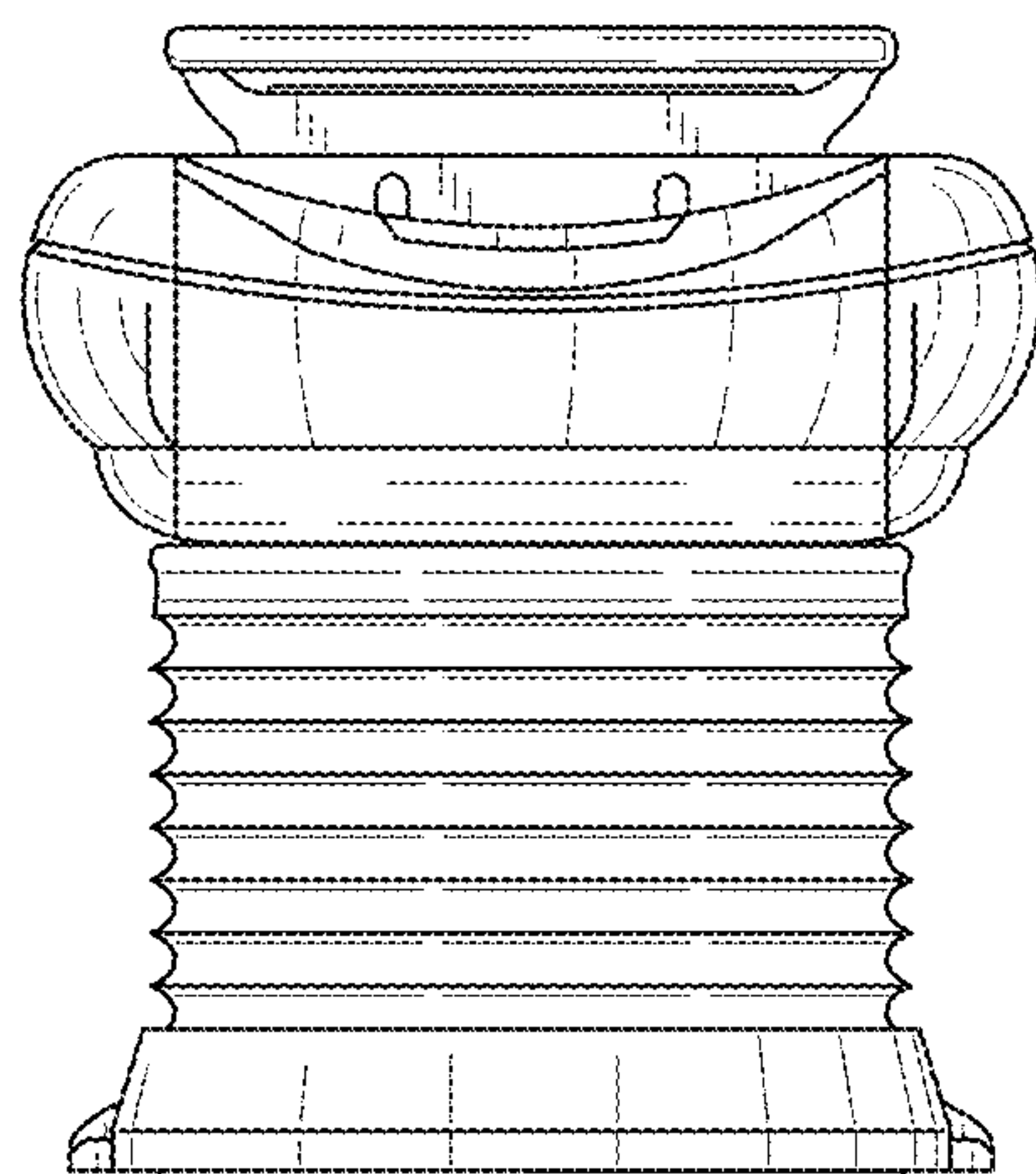


Fig. 10

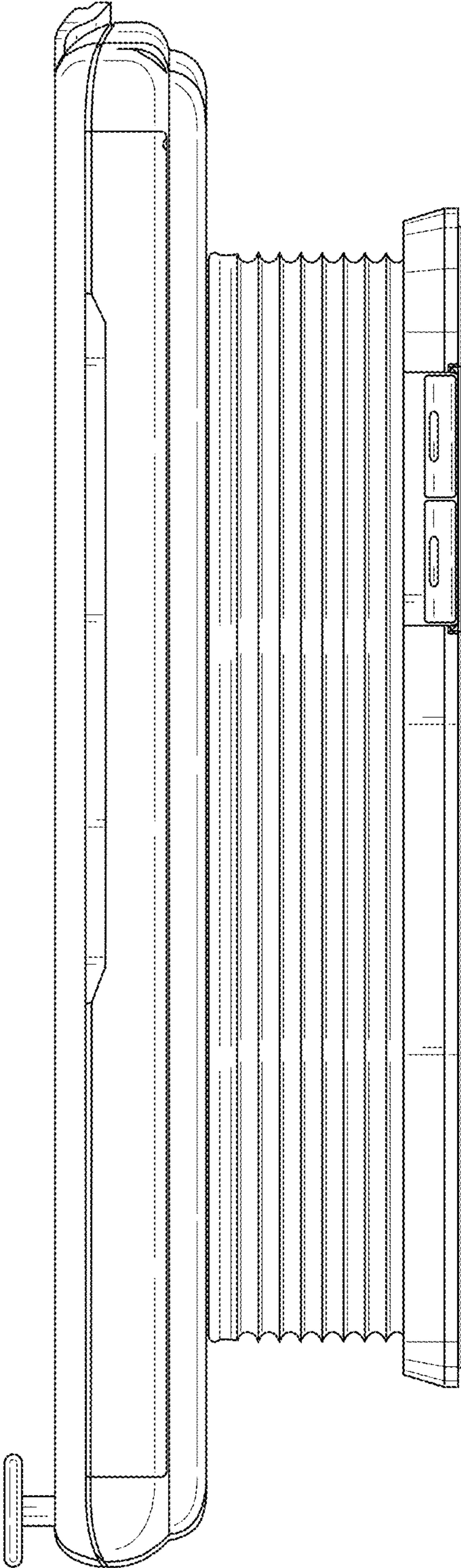




Fig. 11

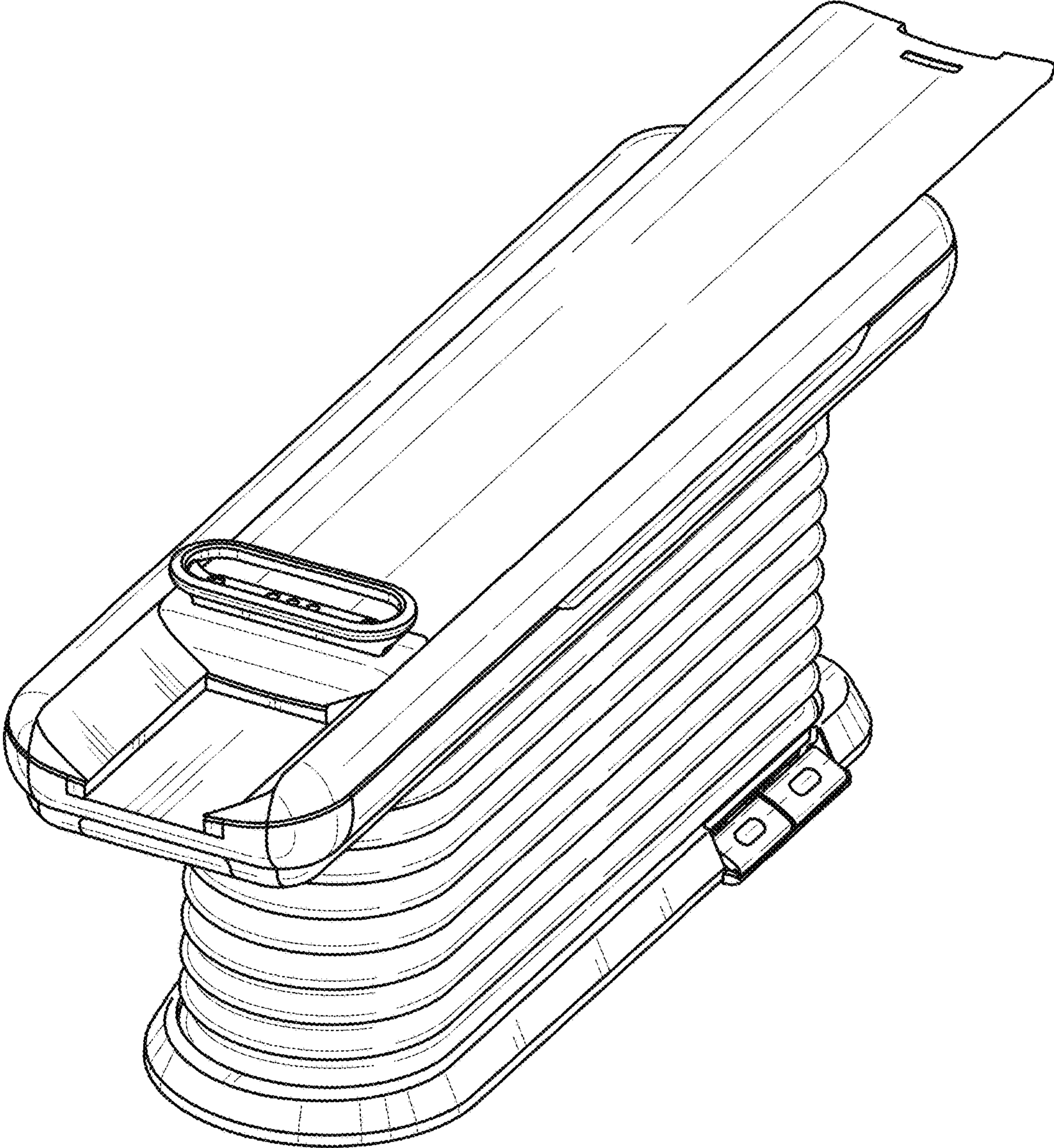


Fig. 12

