



US00D829912S

(12) **United States Design Patent** (10) **Patent No.:** **US D829,912 S**
Tran et al. (45) **Date of Patent:** **** Oct. 2, 2018**

(54) **X-RAY SCREENER**
(71) Applicant: **L-3 Communications Security and Detection Systems, Inc.**, Woburn, MA (US)

7,072,434 B1 7/2006 Tybinkowski et al.
7,418,077 B2 8/2008 Gray
7,440,544 B2 10/2008 Scheinman et al.
7,706,507 B2 4/2010 Williamson et al.
(Continued)

(72) Inventors: **Hiep Tran**, Peabody, MA (US);
Thomas Warnick, Lowell, MA (US);
Sandra Hiltz, Salem, MA (US);
Michael Lanzaro, North Reading, MA (US);
Gregory Tobin, Southborough, MA (US)

OTHER PUBLICATIONS

Analogic Corporation, Cobra Product Sheet, print out of <http://www.analogic.com/Collateral/Documents/English-US/Analogic%20COBRA%20Brochure.pdf>, 2013.
(Continued)

(73) Assignee: **L-3 COMMUNICATIONS SECURITY AND DETECTION SYSTEMS, INC.**, Woburn, MA (US)

Primary Examiner — Anhdao Doan
(74) *Attorney, Agent, or Firm* — McCarter & English, LLP

(**) Term: **15 Years**

(57) **CLAIM**

(21) Appl. No.: **29/610,619**

The ornamental design for an x-ray screener, as shown and described.

(22) Filed: **Jul. 13, 2017**

DESCRIPTION

Related U.S. Application Data

(62) Division of application No. 29/539,541, filed on Sep. 15, 2015, now Pat. No. Des. 794,797.

(51) **LOC (11) Cl.** **24-01**

(52) **U.S. Cl.**
USPC **D24/158**

(58) **Field of Classification Search**
USPC D24/158-161, 185, 186; D14/420, 421
CPC G01N 23/046; G01N 2223/419; G01V 5/0016; G01V 5/005; G01V 5/0025; G01V 5/0041

See application file for complete search history.

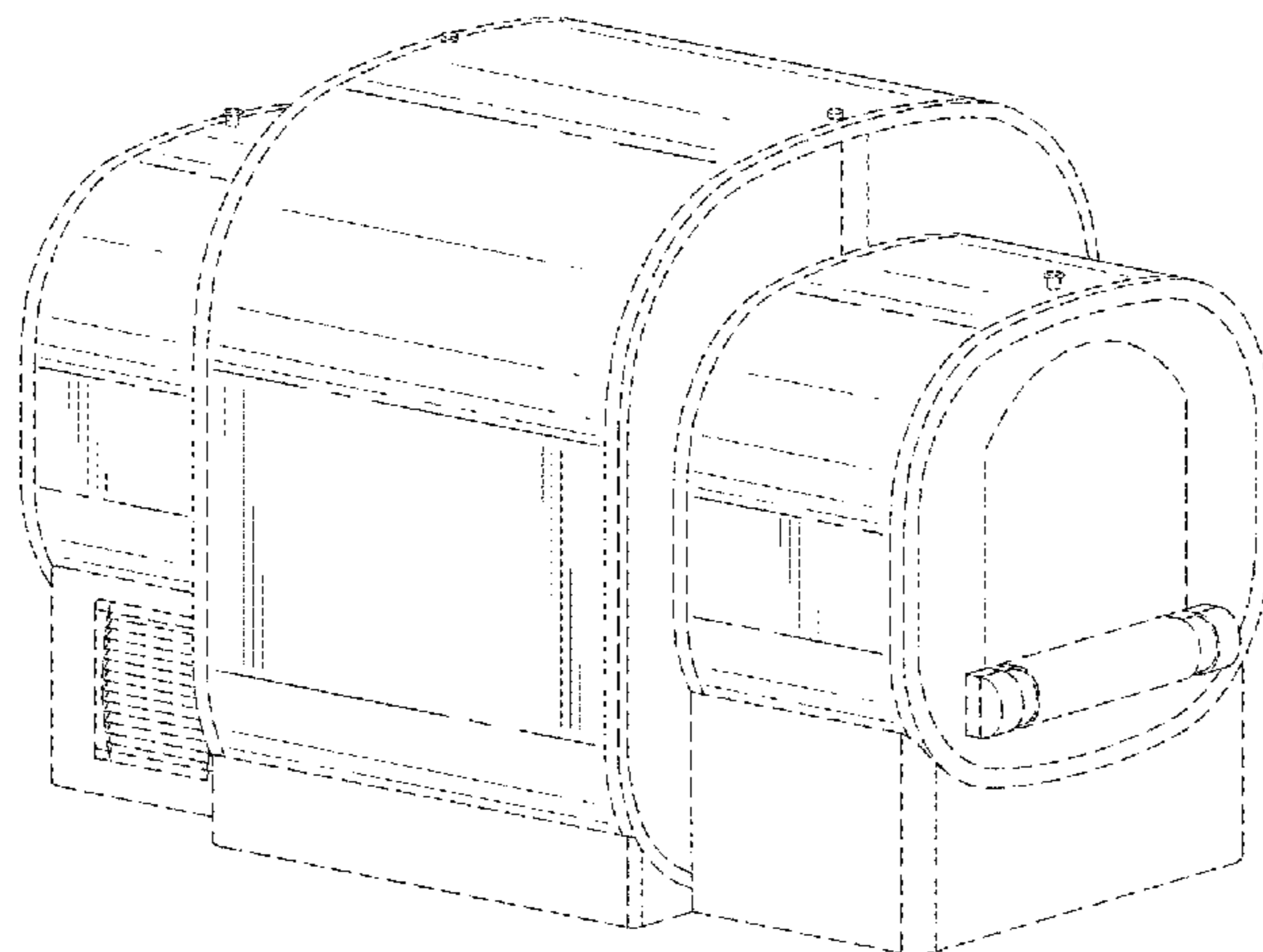
(56) **References Cited**

U.S. PATENT DOCUMENTS

5,661,774 A 8/1997 Gordon et al.
5,754,617 A 5/1998 Itoh
7,039,154 B1 5/2006 Ellenbogen et al.

FIG. 1 is a front perspective view of an x-ray screener showing our design;
FIG. 2 is a front elevational view of the x-ray screener of FIG. 1;
FIG. 3 is a rear elevational view of the x-ray screener of FIG. 1;
FIG. 4 is a left side elevational view of the x-ray screener of FIG. 1;
FIG. 5 is a right side elevational view of the x-ray screener of FIG. 1;
FIG. 6 is a top plan view of the x-ray screener of FIG. 1; and, FIG. 7 is a bottom plan view of the x-ray screener of FIG. 1.
The broken lines immediately adjacent the shaded areas represent the bounds of the claim, while all other broken lines are directed to environment and are for illustrative purposes only. The broken lines form no part of the claimed design.

1 Claim, 3 Drawing Sheets



(56)

References Cited

U.S. PATENT DOCUMENTS

D658,294	S	4/2012	Awad	
8,270,565	B2	9/2012	Oreper	
D700,339	S	2/2014	Tan	
D705,931	S	5/2014	Wilden	
D705,935	S	5/2014	Matuschek et al.	
D770,624	S	11/2016	Yao et al.	
D817,494	S *	5/2018	Apetauer D24/158
2004/0096030	A1	5/2004	Banchieri	
2010/0246754	A1	9/2010	Morton	
2011/0019797	A1	1/2011	Morton	
2015/0030125	A1 *	1/2015	Pfander G01N 23/04 378/57
2016/0187503	A1	6/2016	Basu	
2016/0372223	A1 *	12/2016	Splinter G01N 23/04

OTHER PUBLICATIONS

Shenzhen Security Electronic Equipment Co., print out of http://www.xraysecuscan.com/products_list/&pmcl=21&pageNo_FrontProducts_list01-1433231436497=1&pageSize_FrontProducts_list01-1433231436497=17.html, 2015.
 Eastimage, print out of [http://www.eastimagesecurity.com/CompanyNews/Exciting-news-for-you-Eastimage-launched-EI-](http://www.eastimagesecurity.com/CompanyNews/Exciting-news-for-you-Eastimage-launched-EI-6550DV-dual-view-x-ray-security-inspection-equipment.shtml)

6550DV-dual-view-x-ray-security-inspection-equipment.shtml, dated Jul. 4, 2014.
 Eastimage, print out of <http://www.eastimagesecurity.com/CompanyNews/Eastimage-EI-6550G-and-EI-10080G-New-Product-Launch.shtml>, dated May 12, 2014.
 Eastimage, print out of <http://www.eastimagesecurity.com/CompanyNews/New-design-of-Eastimage-equipment.shtml>, dated Apr. 30, 2015.
 Safran Morpho, HRX 700 Product Sheet, print out of http://www.morpho.com/sites/morpho/files/morpho_hrx_700.pdf, 2012.
 Safran Morpho, HRX 500 Product Sheet, print out of http://www.morpho.com/sites/morpho/files/morpho_hrx_500.pdf, 2012.
 Safran Morpho, XDI Brochure, print out of http://www.morpho.com/sites/morpho/files/morpho_xdi_brochure_en.pdf, 2015.
 Smiths Detection, Hi-SCAN5180si Product Sheet, [http://www.smithsdetection.com/index.php?option=com_scio&task=downloadProductPdf&assetId=558&productName=HI-SCAN 5180si](http://www.smithsdetection.com/index.php?option=com_scio&task=downloadProductPdf&assetId=558&productName=HI-SCAN%205180si), dated May 20, 2015.
 Smiths Detection, Hi-Scan 7555 Atix Product Sheet, [http://www.smithsdetection.com/index.php?option=com_scio&task=downloadProductPdf&assetId=5427&productName=HI-SCAN 7555aTiX](http://www.smithsdetection.com/index.php?option=com_scio&task=downloadProductPdf&assetId=5427&productName=HI-SCAN%207555aTiX), Aug. 2015.
 Rapiscan, Rapiscan 624XR Product Sheet, <http://pg-co.com/wp-content/uploads/2014/11/Rapiscan-624XR.pdf>, Nov. 2014.
 Rapiscan, RTT Product Sheet, http://www.htds.fr/en/files/downloads/2012/10/security_hold-bagage-scanner_RTT_uk.pdf, Oct. 2012.

* cited by examiner

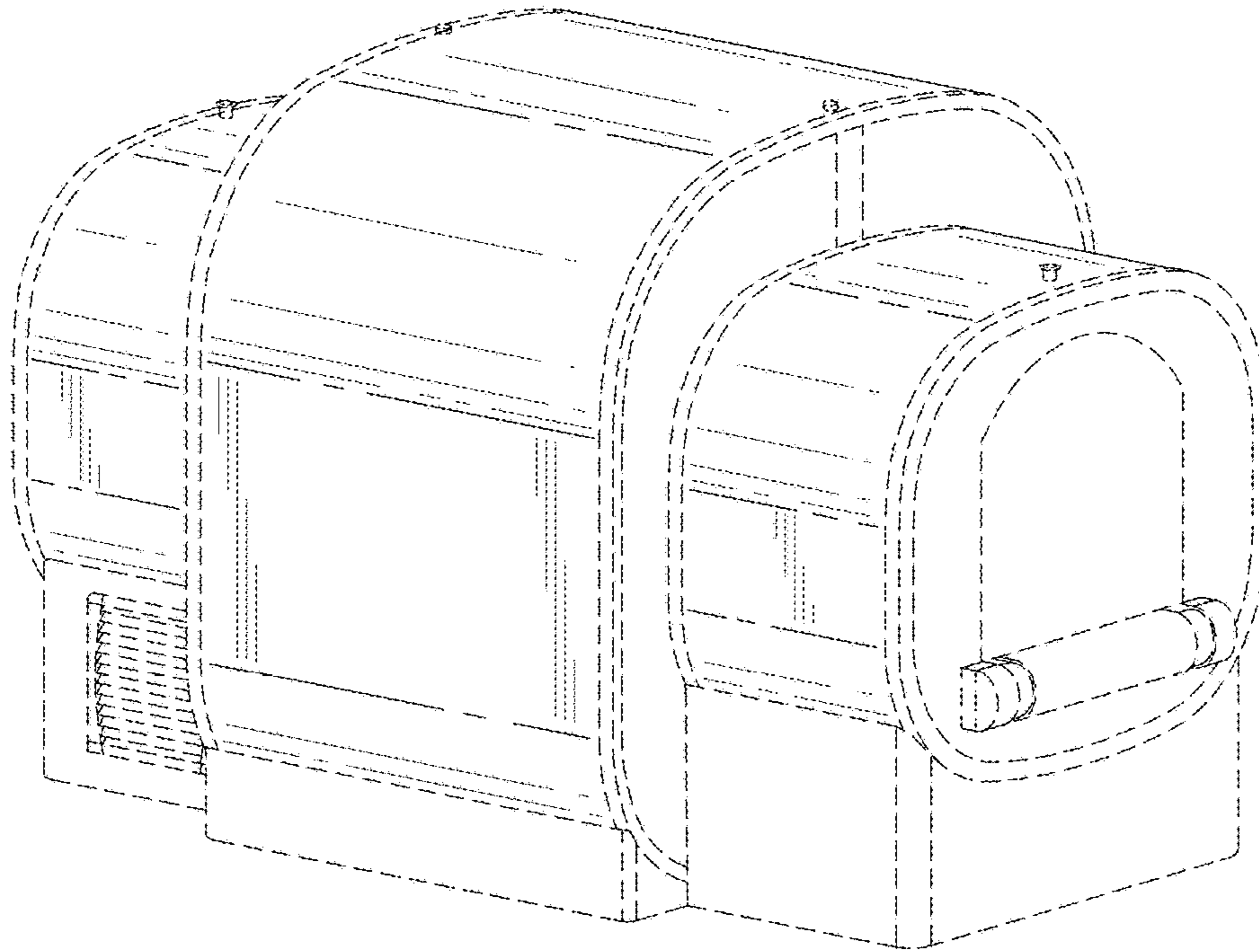


FIG. 1

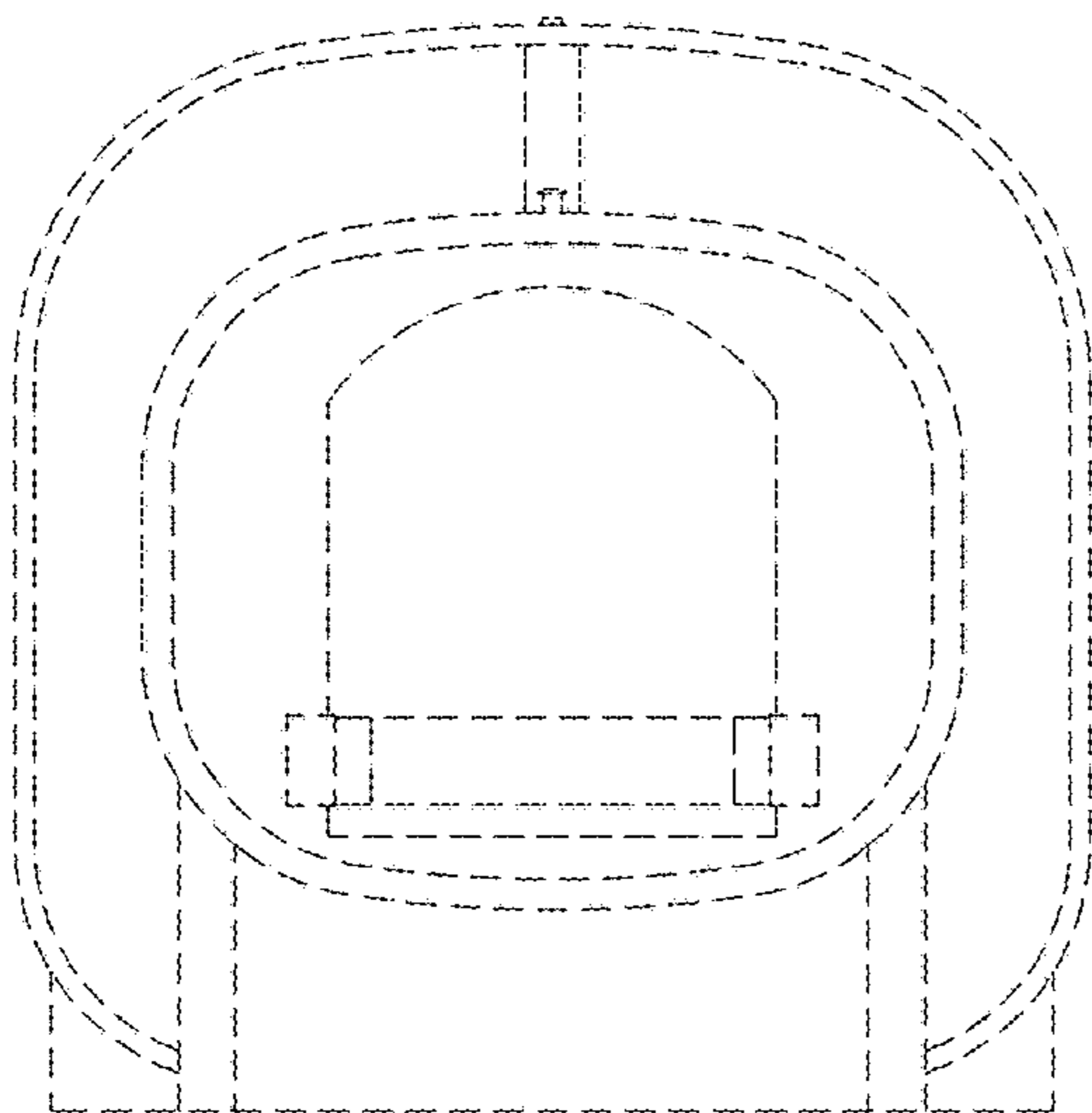


FIG. 2

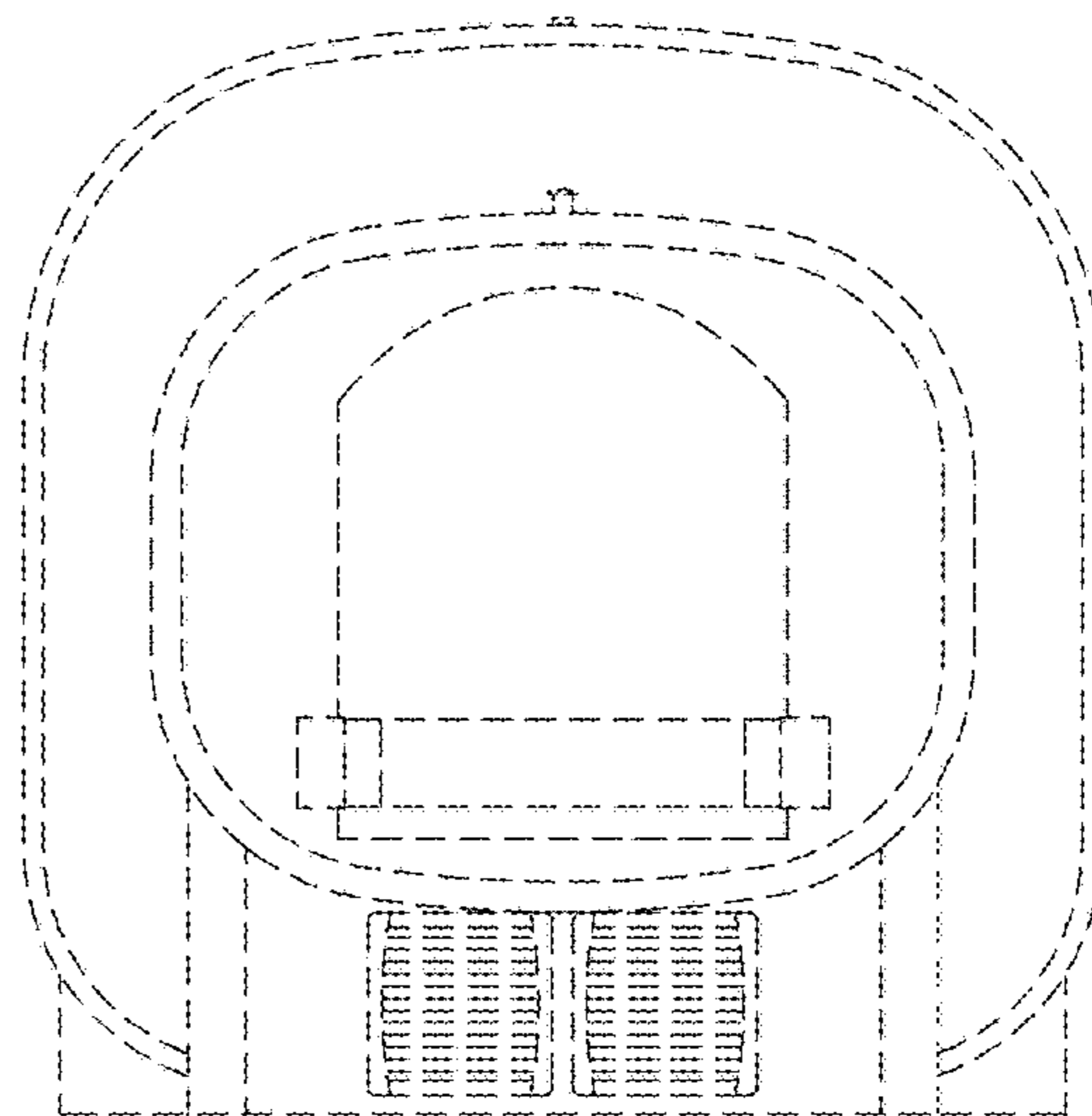


FIG. 3

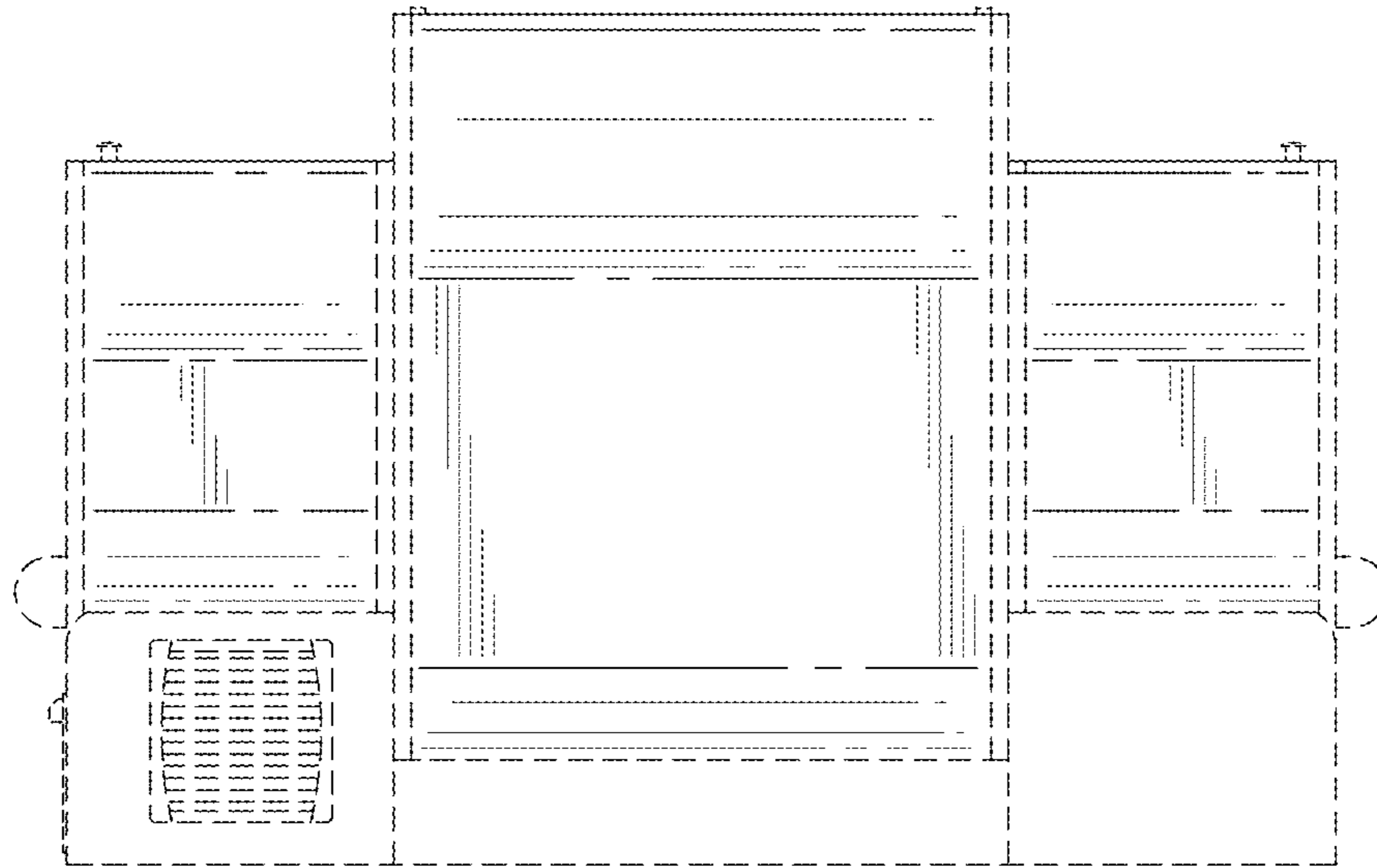


FIG. 4

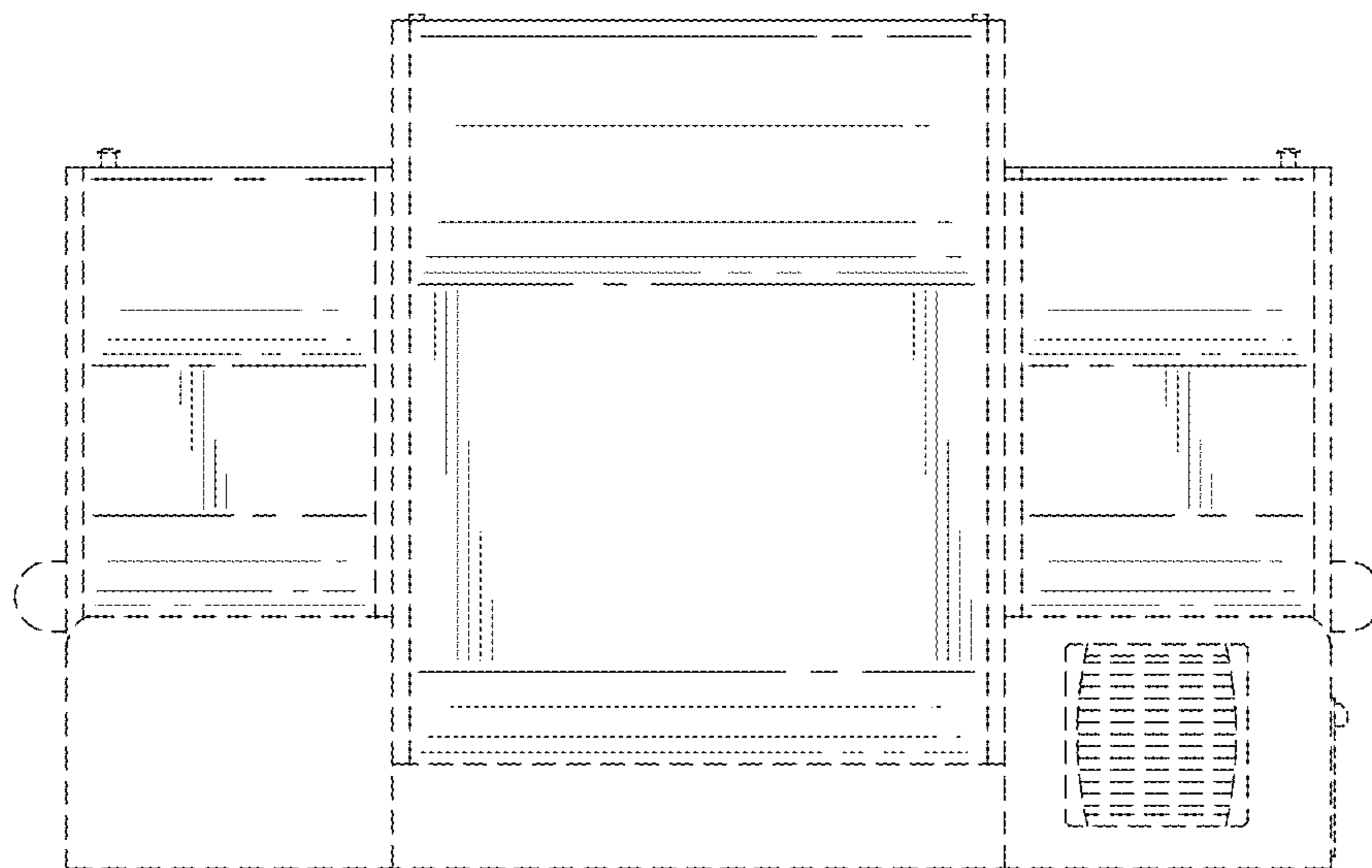


FIG. 5

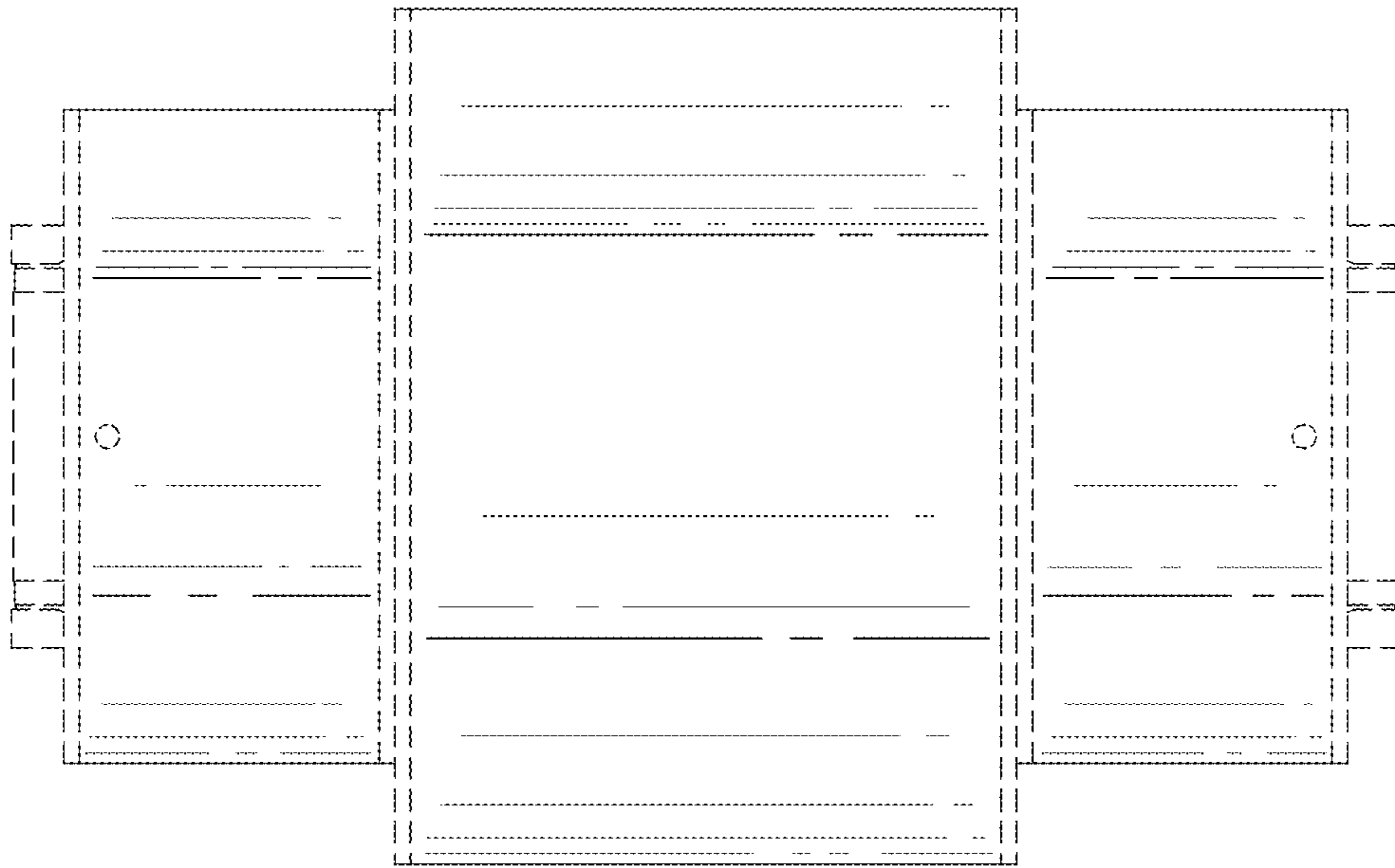


FIG. 6

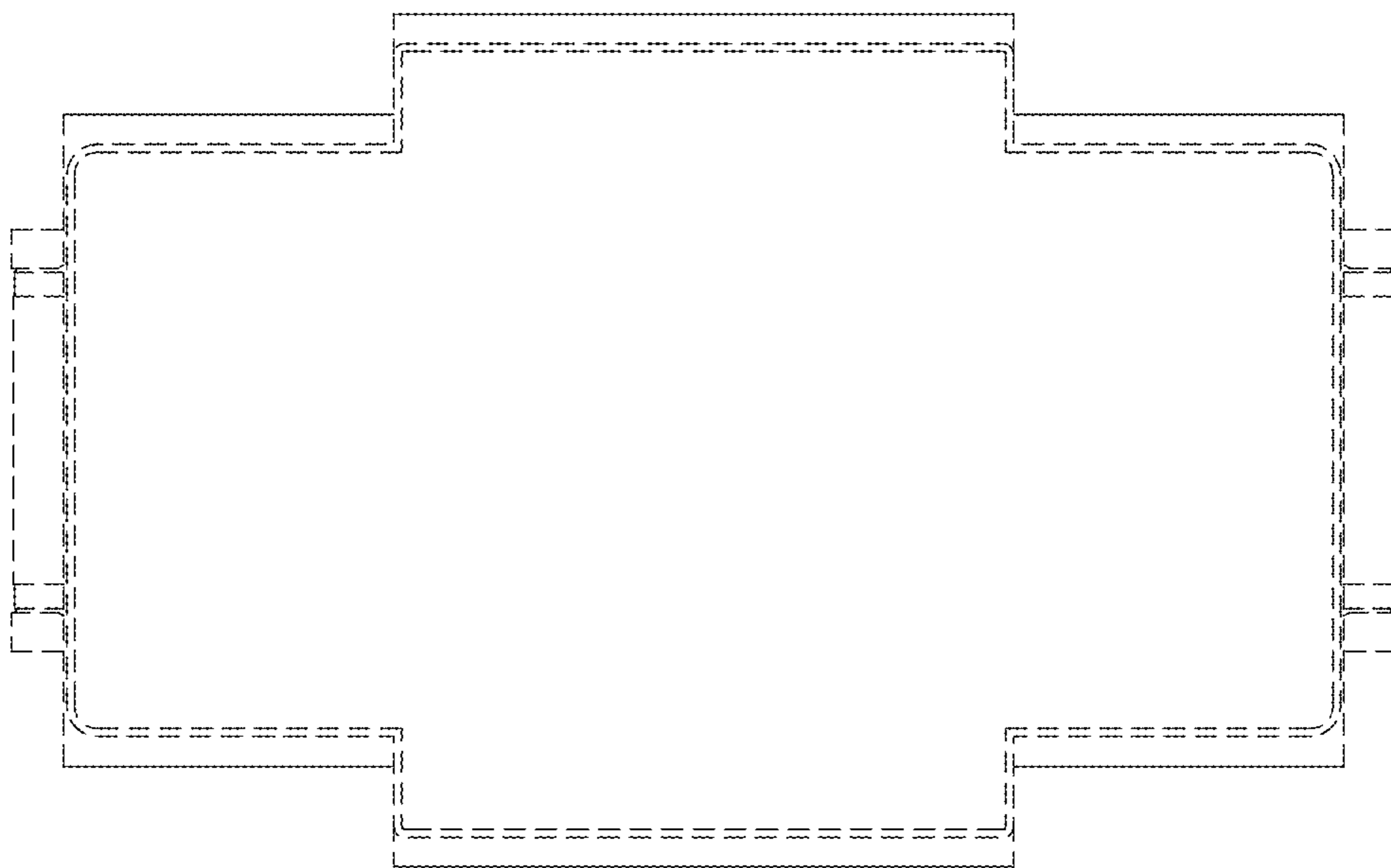


FIG. 7