



US00D829911S

(12) **United States Design Patent**
Horton

(10) **Patent No.:** **US D829,911 S**

(45) **Date of Patent:** **** Oct. 2, 2018**

(54) **CERVICAL BUTTRESS PLATE IMPLANT**

(71) Applicant: **NuTech Spine, Inc.**, Birmingham, AL (US)

(72) Inventor: **Kenneth L. Horton**, Watersound, FL (US)

(73) Assignee: **NUTECH SPINE, INC.**, Birmingham, AL (US)

(**) Term: **15 Years**

(21) Appl. No.: **29/617,182**

(22) Filed: **Sep. 12, 2017**

(51) **LOC (11) Cl.** **24-02**

(52) **U.S. Cl.**
USPC **D24/155**

(58) **Field of Classification Search**
USPC D24/155
CPC .. A61F 2310/00023; A61F 2310/00017; A61F 2/4611; A61F 2/442; A61F 2/447; A61F 2220/0025; A61F 2002/4475; A61F 2002/30841; A61F 2002/2835; A61F 2002/30904; A61F 2002/30785; A61F 2002/443; A61F 2002/30578
See application file for complete search history.

(56) **References Cited**

U.S. PATENT DOCUMENTS

6,287,309 B1 * 9/2001 Baccelli A61B 17/7007
606/292
6,776,781 B1 * 8/2004 Uwaydah A61B 17/7059
606/279

D623,745 S * 9/2010 Kay D24/155
8,491,643 B2 * 7/2013 Laurysen A61B 17/7059
606/280
D691,722 S * 10/2013 Cheney D24/155
D813,395 S * 3/2018 Senior D24/155
9,987,052 B2 * 6/2018 Kirschman A61B 17/7068
2003/0036759 A1 * 2/2003 Musso A61B 17/7044
606/282

* cited by examiner

Primary Examiner — Charles D Hanson

(74) *Attorney, Agent, or Firm* — C. Brandon Browning; Maynard, Cooper & Gale

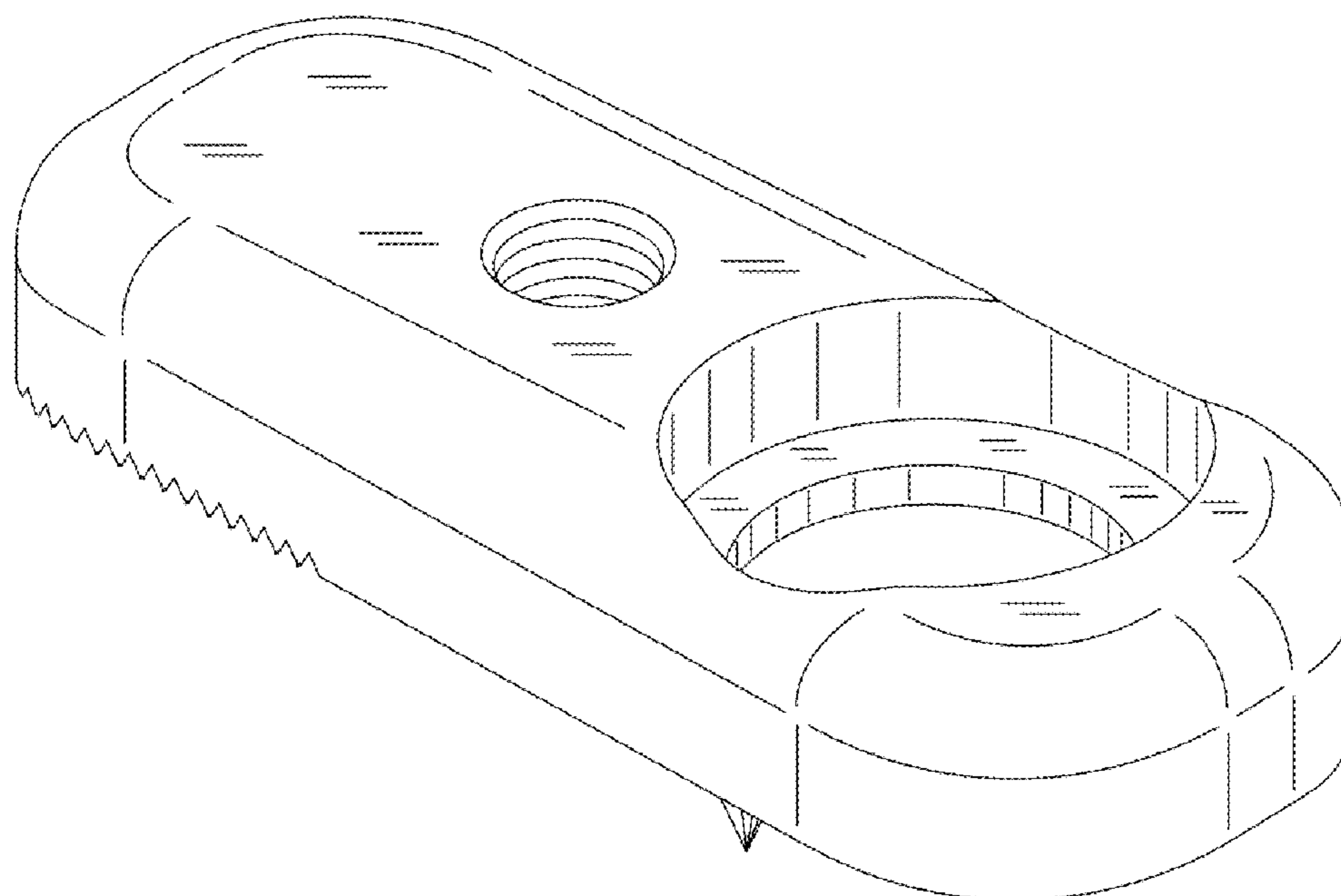
(57) **CLAIM**

The ornamental design for a cervical buttress plate implant, as shown and described herein.

DESCRIPTION

FIG. 1 is a top perspective view of a cervical buttress plate implant showing my new design;
FIG. 2 is a bottom perspective view thereof;
FIG. 3 is a side elevation view thereof;
FIG. 4 is other side elevation view of the opposite side thereof;
FIG. 5 is a front elevational view thereof;
FIG. 6 is a rear elevational view thereof;
FIG. 7 is a top plan view thereof; and,
FIG. 8 is a bottom plan view thereof.

1 Claim, 3 Drawing Sheets



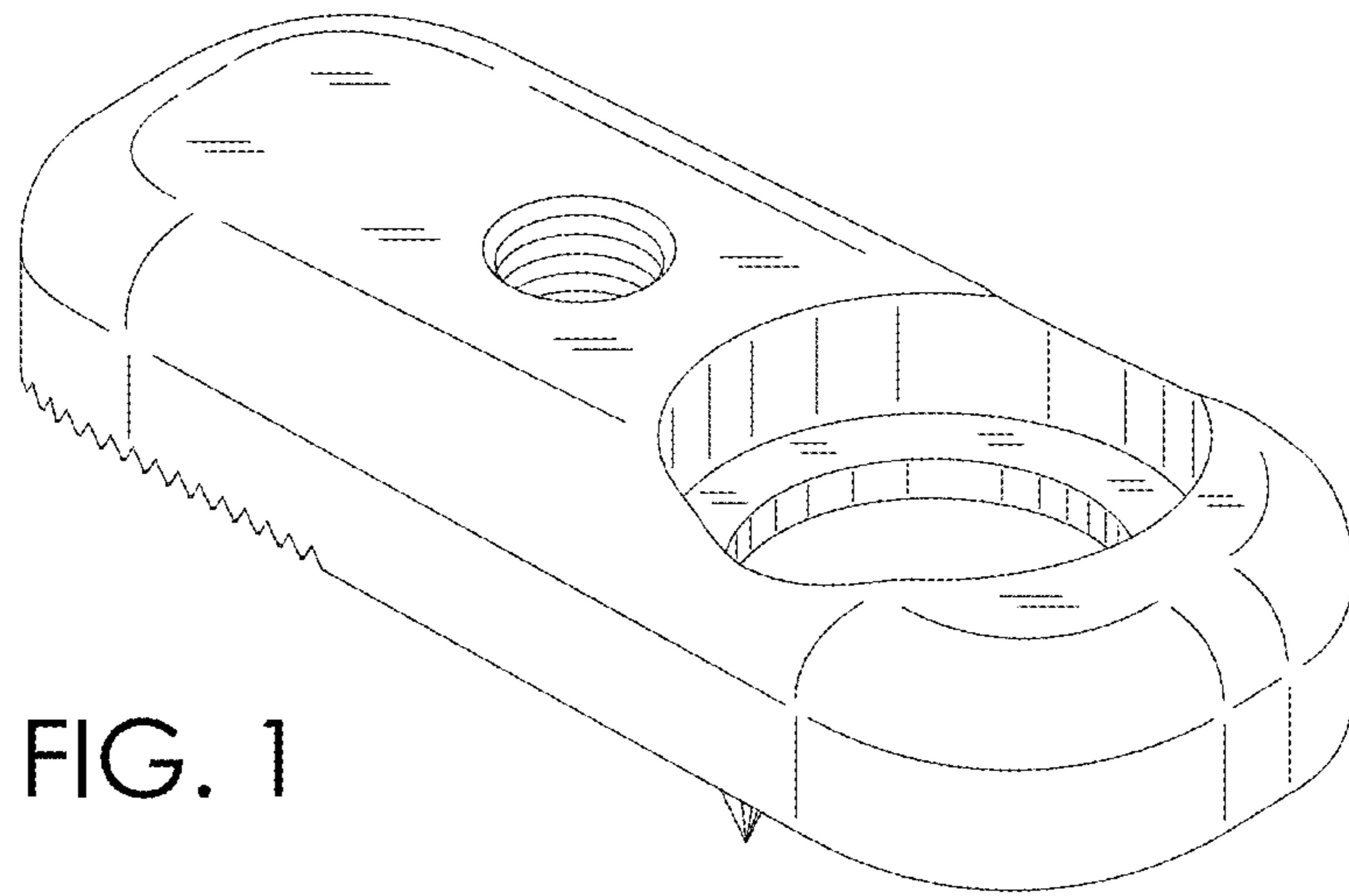


FIG. 1

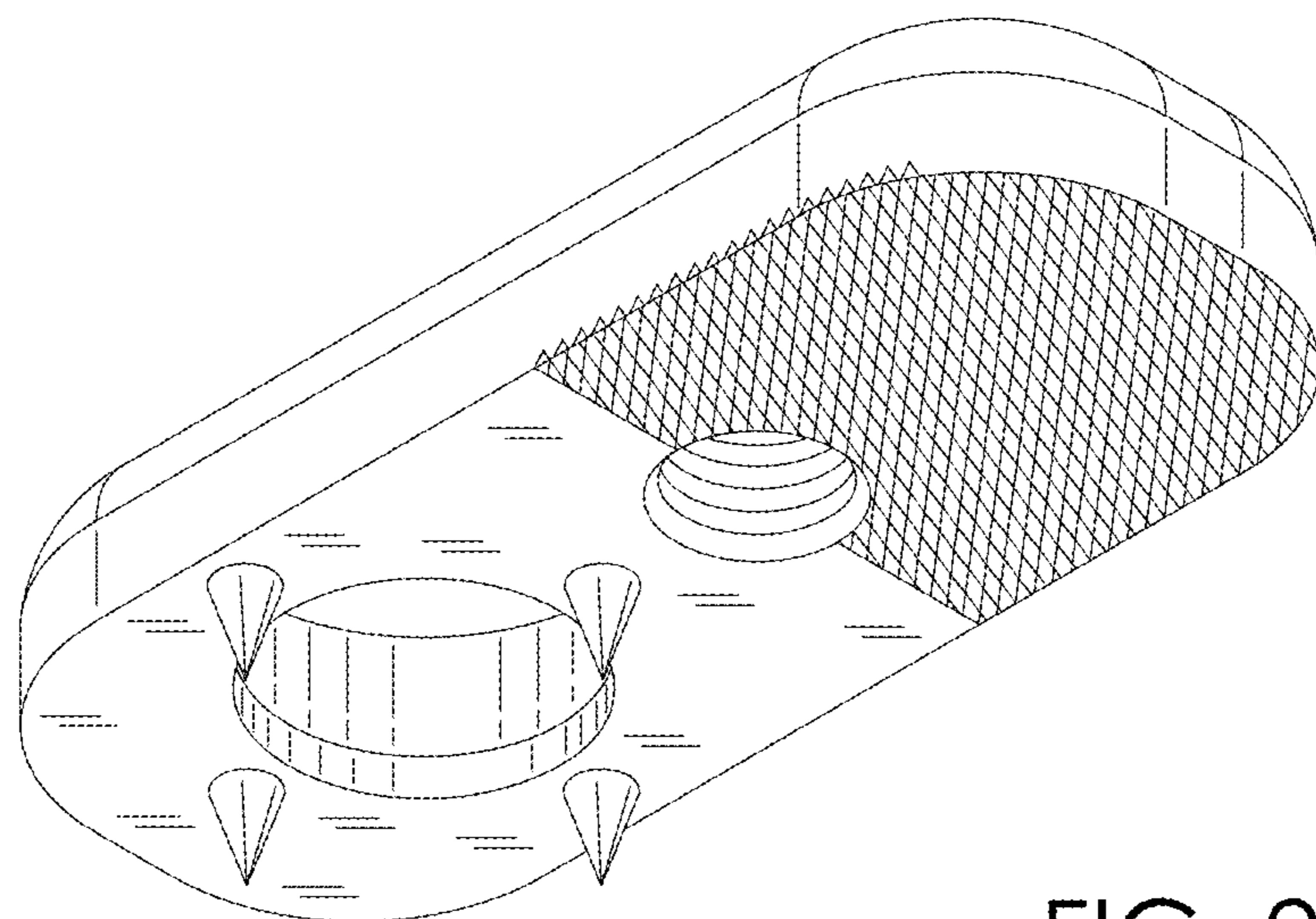


FIG. 2

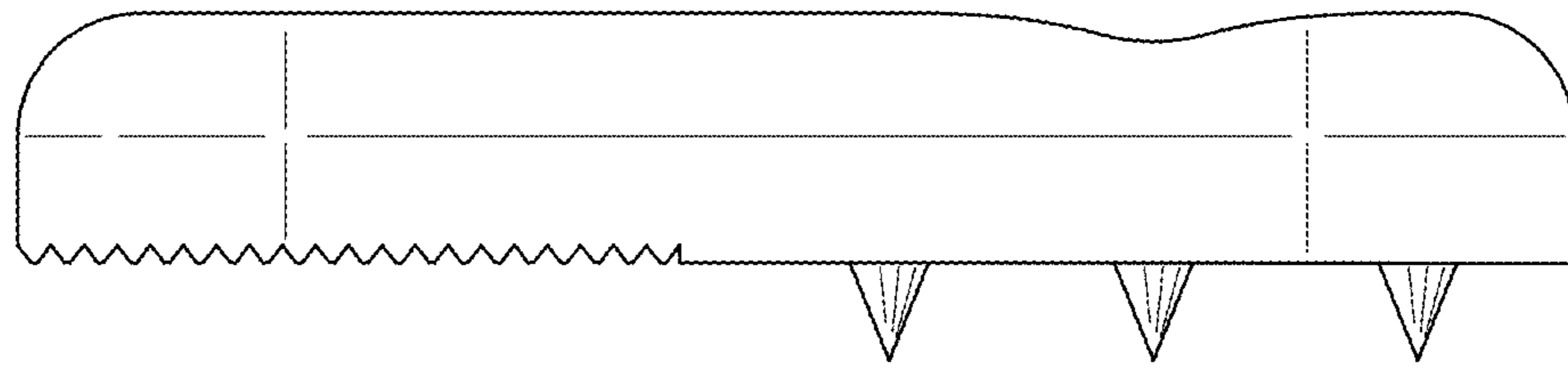


FIG. 3

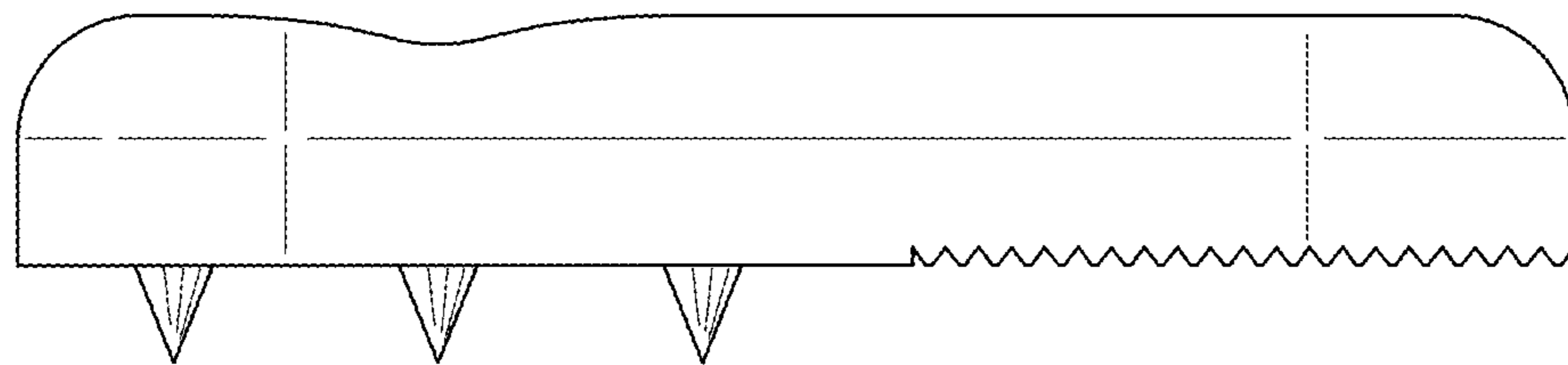


FIG. 4

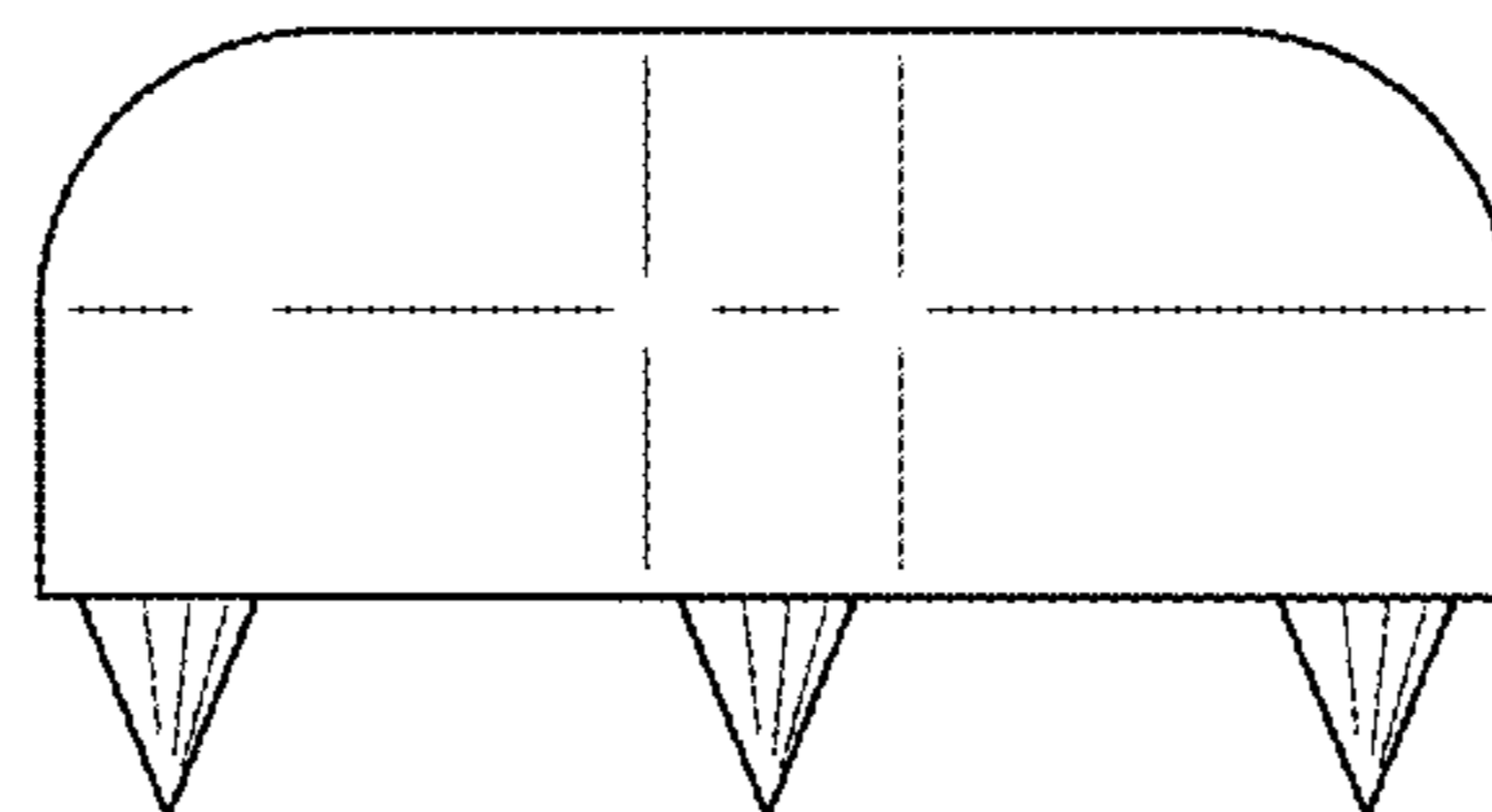


FIG. 5

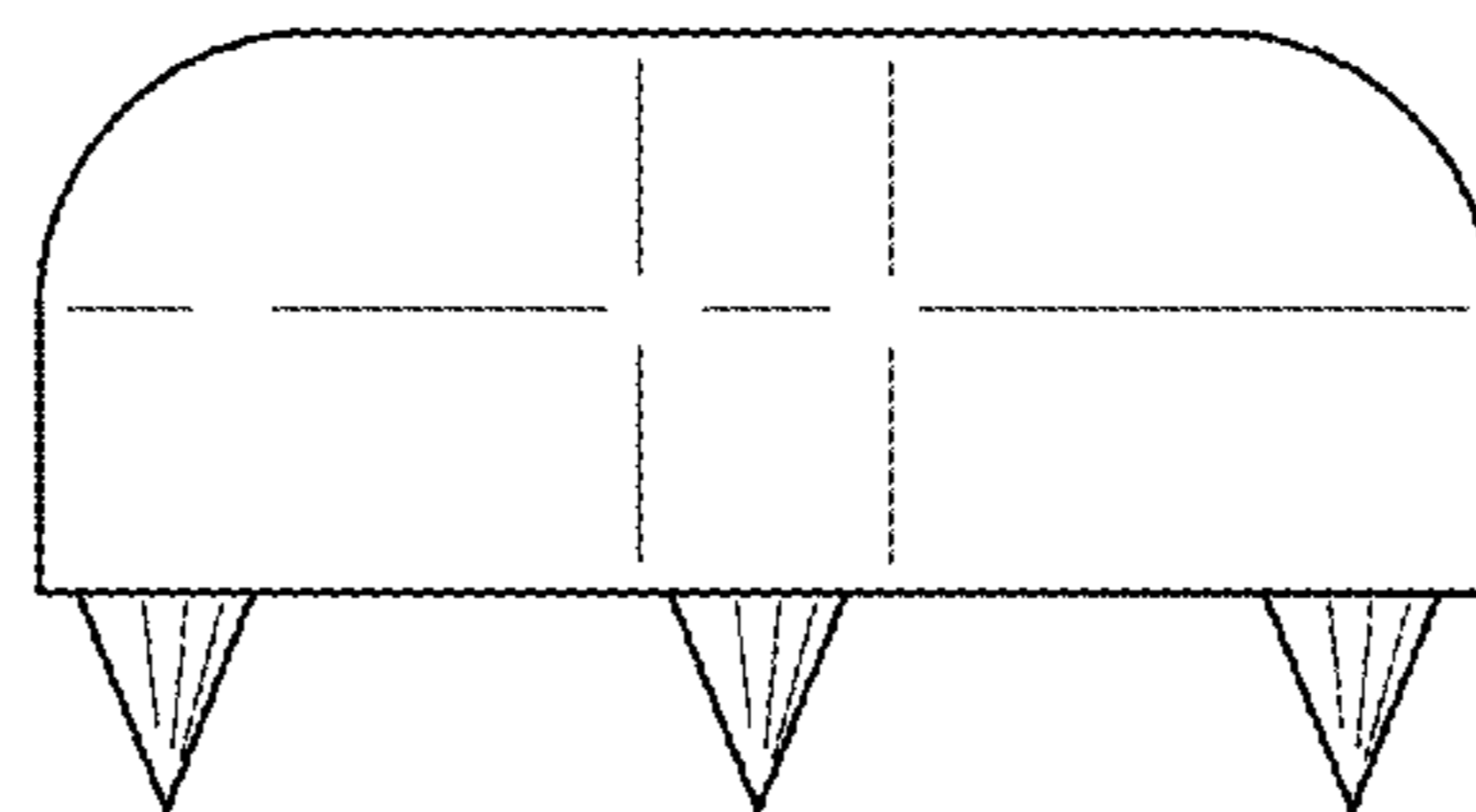


FIG. 6

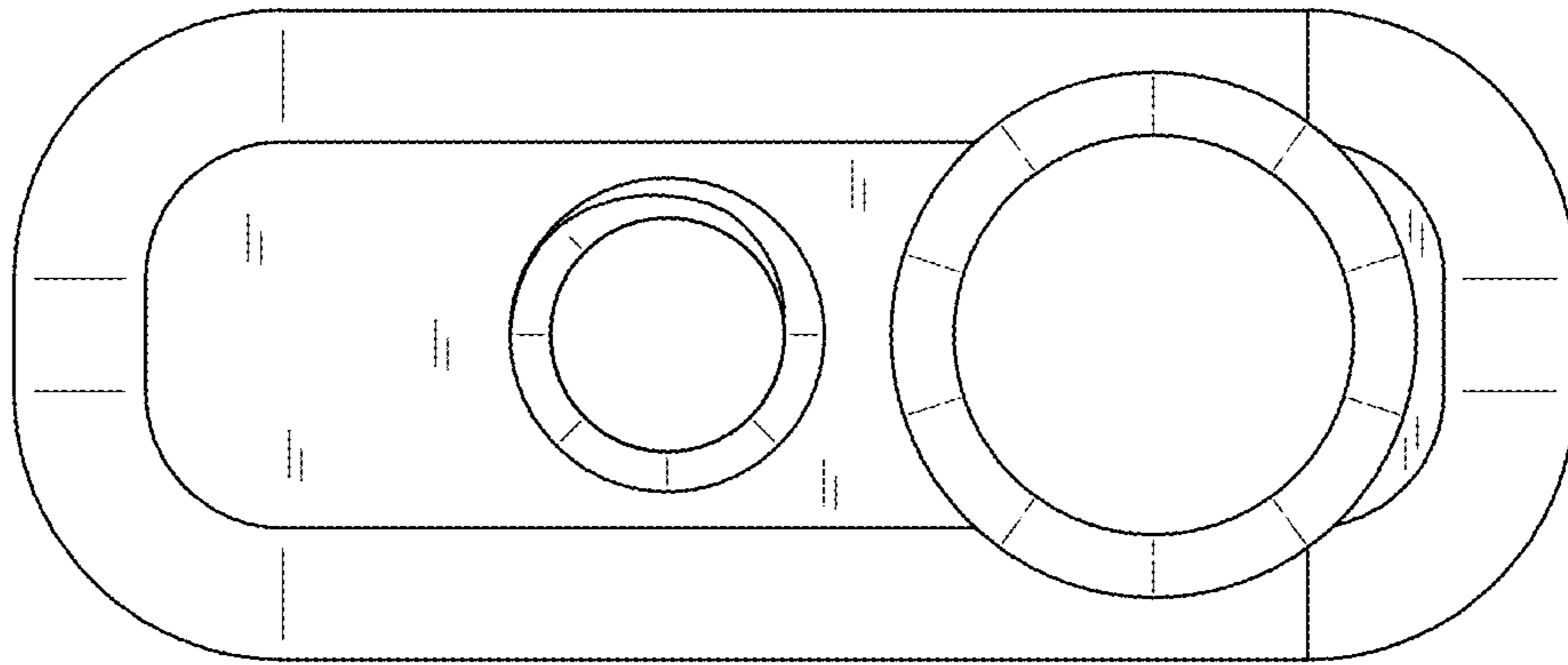


FIG. 7

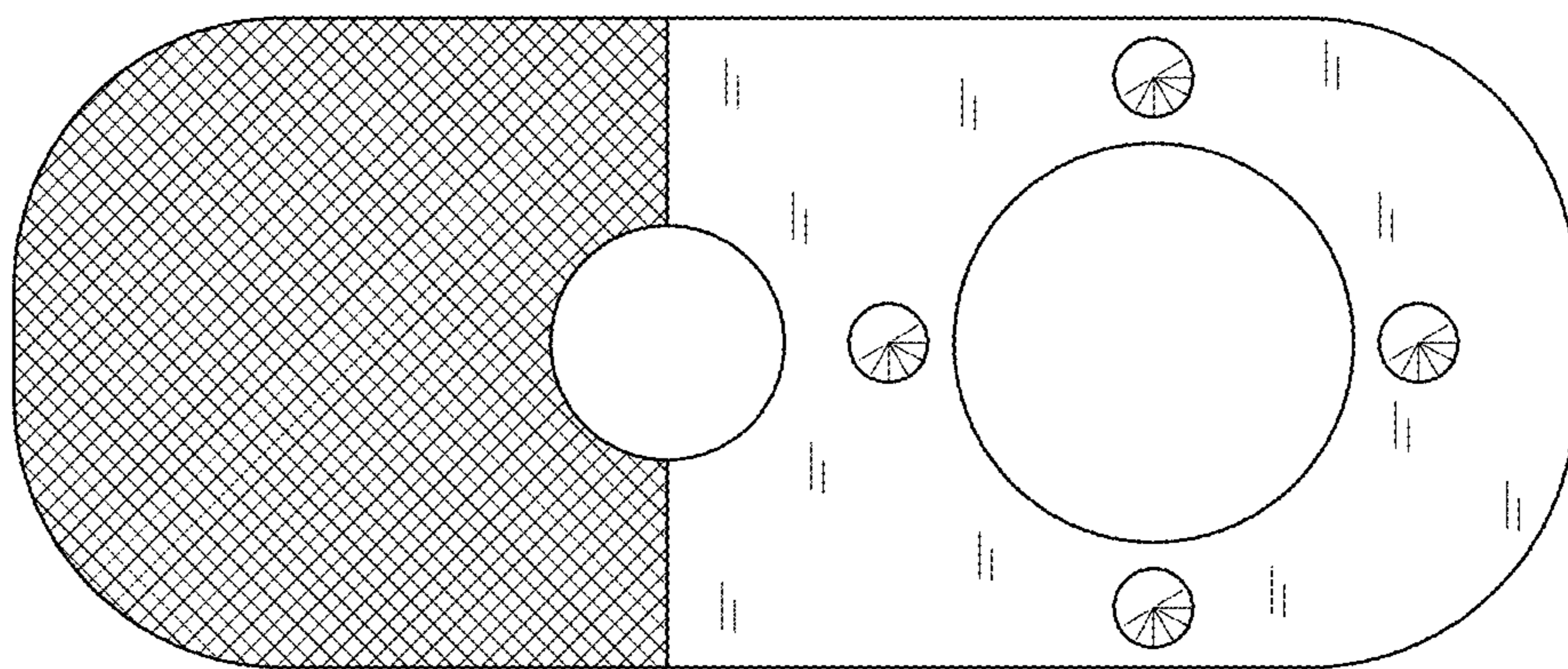


FIG. 8