



US00D829910S

(12) **United States Design Patent**  
**Horton**

(10) **Patent No.:** **US D829,910 S**  
(45) **Date of Patent:** **\*\* Oct. 2, 2018**

- (54) **CERVICAL PLATE IMPLANT**
- (71) Applicant: **NuTech Spine, Inc.**, Birmingham, AL (US)
- (72) Inventor: **Kenneth L. Horton**, Watersound, FL (US)
- (73) Assignee: **NUTECH SPINE, INC.**, Birmingham, AL (US)
- (\*\*) Term: **15 Years**
- (21) Appl. No.: **29/617,177**
- (22) Filed: **Sep. 12, 2017**
- (51) **LOC (11) Cl.** ..... **24-02**
- (52) **U.S. Cl.**  
USPC ..... **D24/155**
- (58) **Field of Classification Search**  
USPC ..... D24/155  
CPC ..... A61F 2/4611; A61F 2/442; A61F 2/447;  
A61F 2220/0025; A61F 2310/00023;  
A61F 2310/00017; A61F 2002/4475;  
A61F 2002/30841; A61F 2002/2835;  
A61F 2002/30904; A61F 2002/30785;  
A61F 2002/443; A61F 2002/30578  
See application file for complete search history.

- 8,834,484 B2 \* 9/2014 Kehres ..... A61B 17/00  
606/104
- 8,974,504 B2 \* 3/2015 Hess ..... A61B 17/8009  
606/282
- 9,044,275 B2 \* 6/2015 Weiman ..... A61B 17/1728
- 9,668,795 B1 \* 6/2017 Youssef ..... A61B 17/809

\* cited by examiner

*Primary Examiner* — Charles D Hanson

(74) *Attorney, Agent, or Firm* — C. Brandon Browning;  
Maynard, Cooper & Gale

(56) **References Cited**

**U.S. PATENT DOCUMENTS**

- 7,118,573 B2 \* 10/2006 Michelson ..... A61B 17/7059  
606/71
- 7,740,630 B2 \* 6/2010 Michelson ..... A61B 17/7058  
606/71

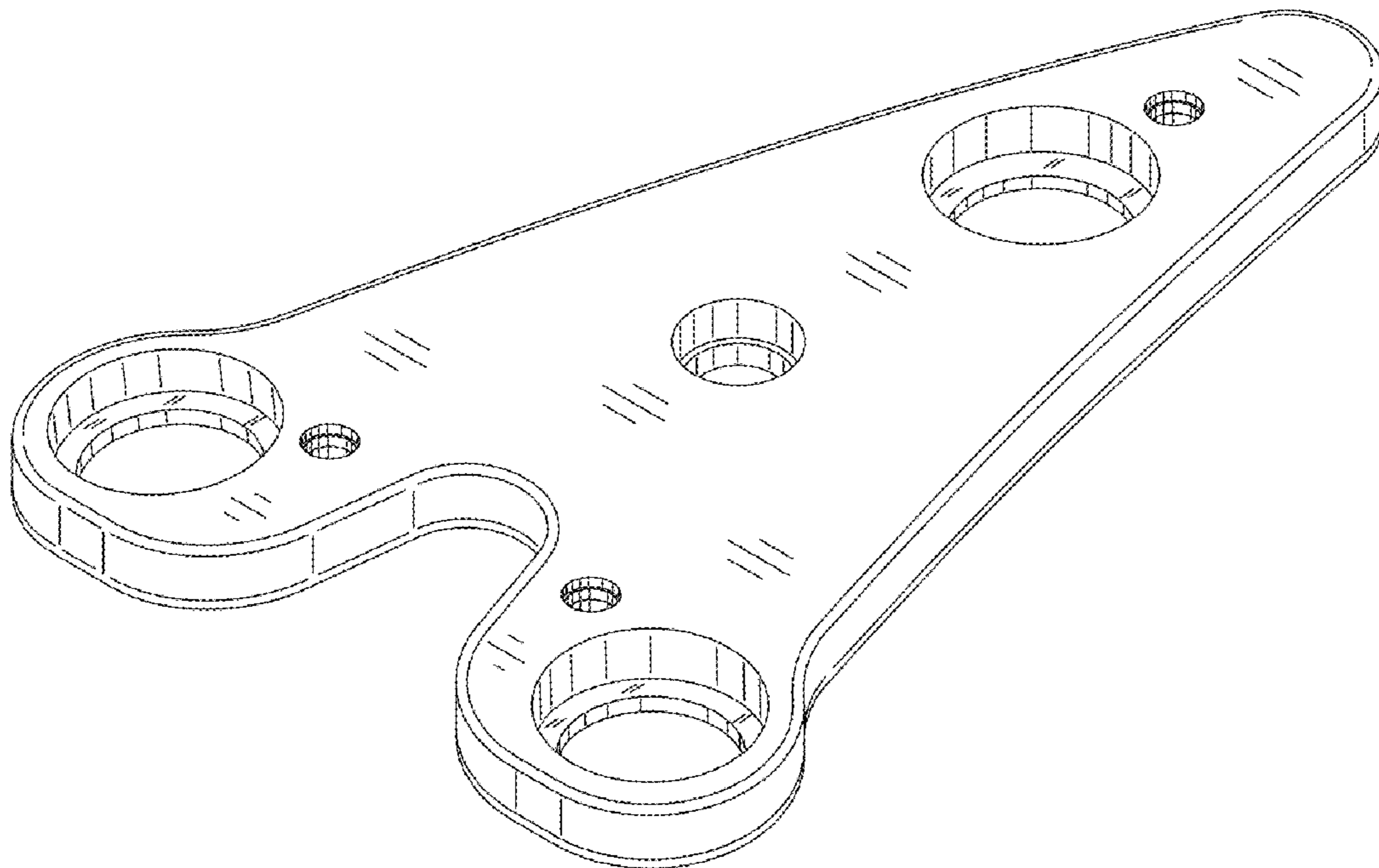
(57) **CLAIM**

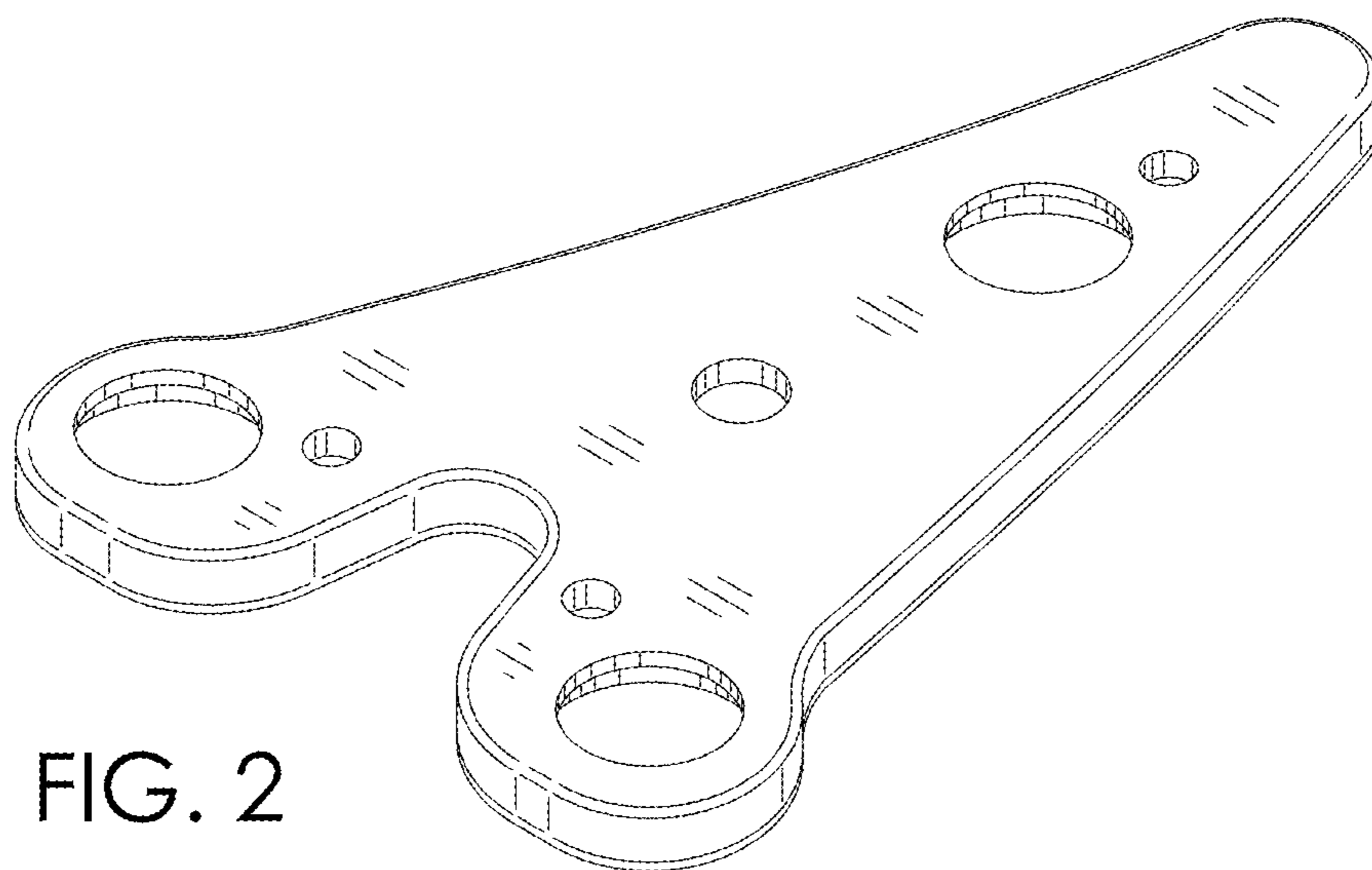
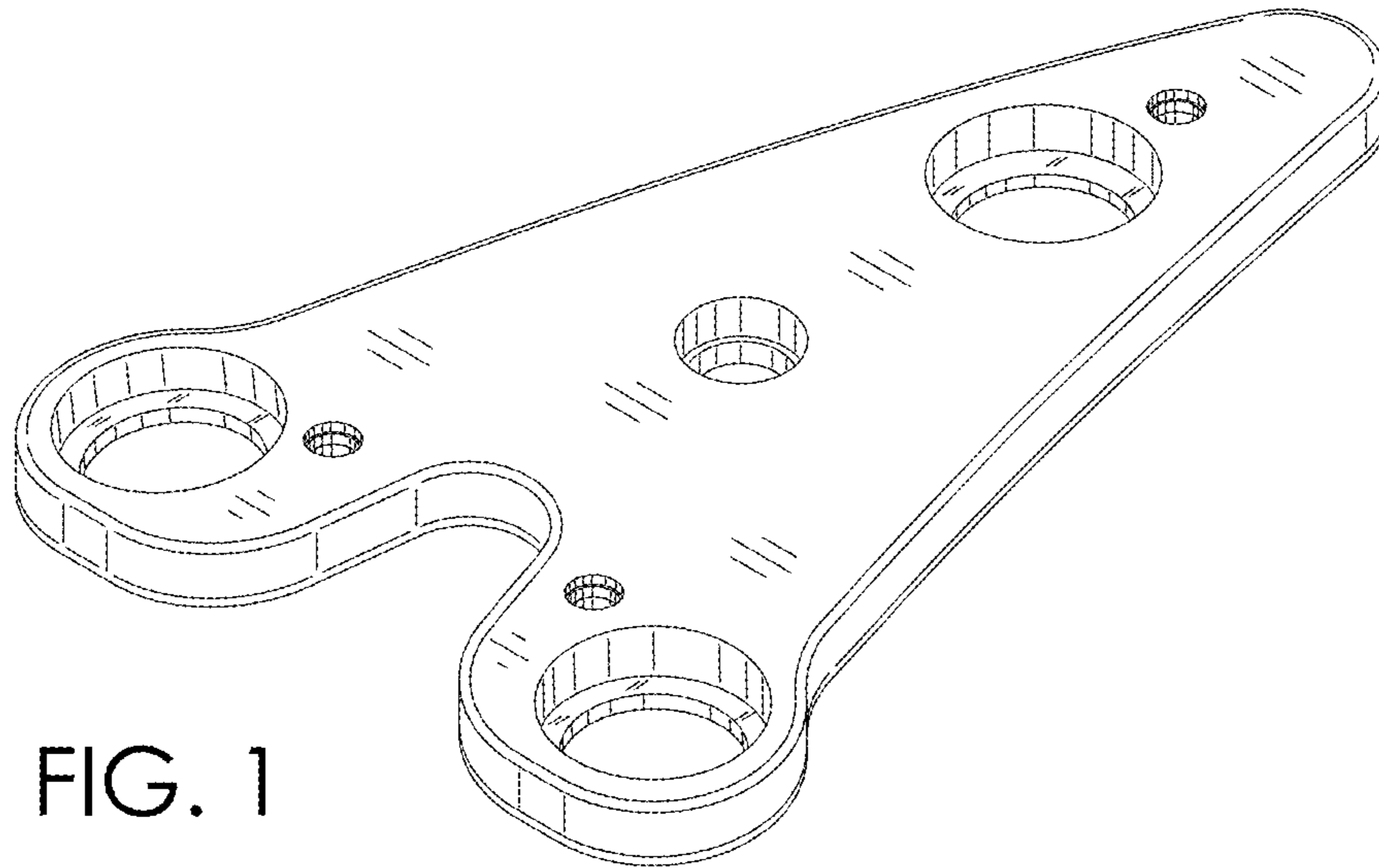
The ornamental design for a cervical plate implant, as shown and described herein.

**DESCRIPTION**

FIG. 1 is a top perspective view of a cervical plate implant showing my new design;  
 FIG. 2 is a bottom perspective view thereof;  
 FIG. 3 is a side elevation view thereof;  
 FIG. 4 is a side elevation view of the opposite side thereof;  
 FIG. 5 is a front elevational view thereof;  
 FIG. 6 is a rear elevational view thereof;  
 FIG. 7 is a top plan view thereof; and,  
 FIG. 8 is a bottom plan view thereof.

**1 Claim, 3 Drawing Sheets**





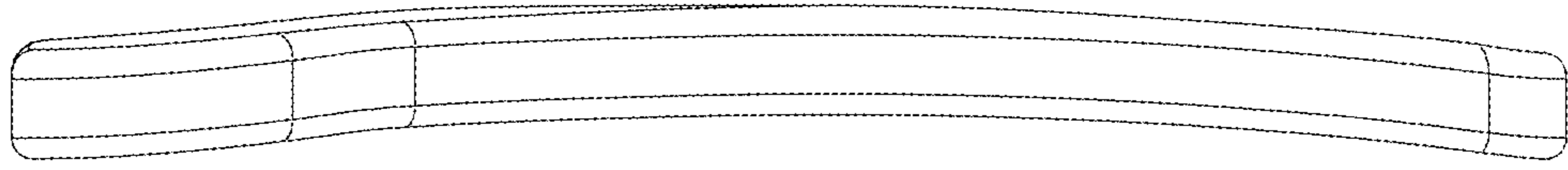


FIG. 3

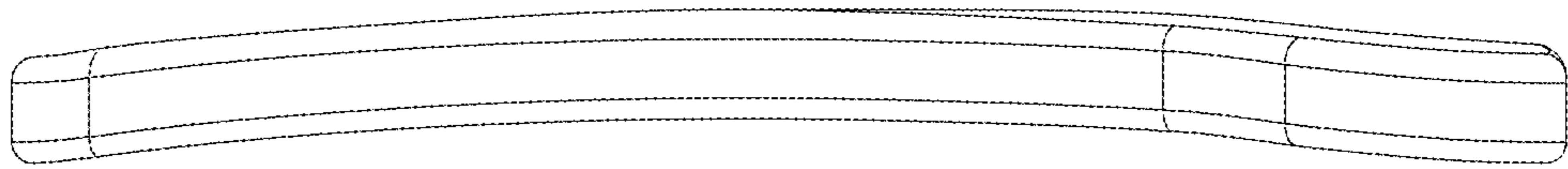


FIG. 4

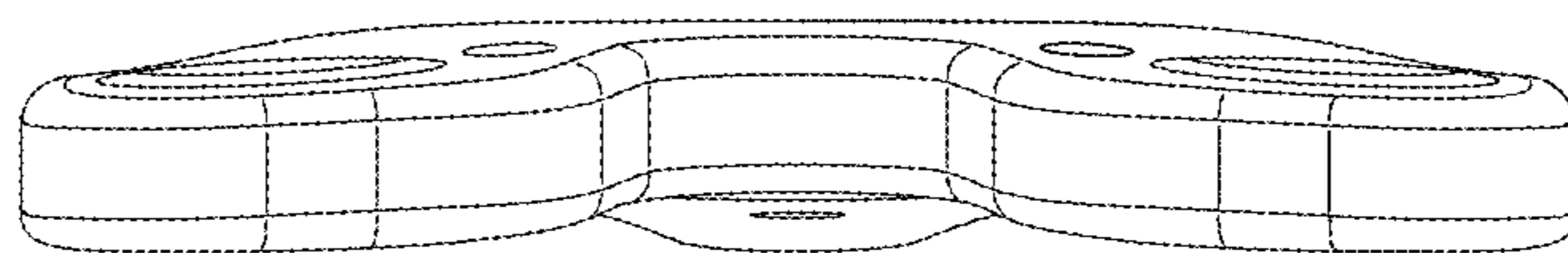


FIG. 5

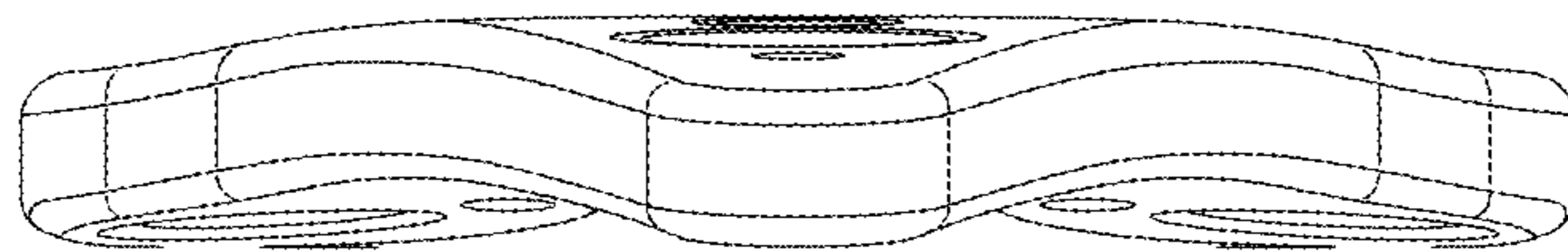


FIG. 6

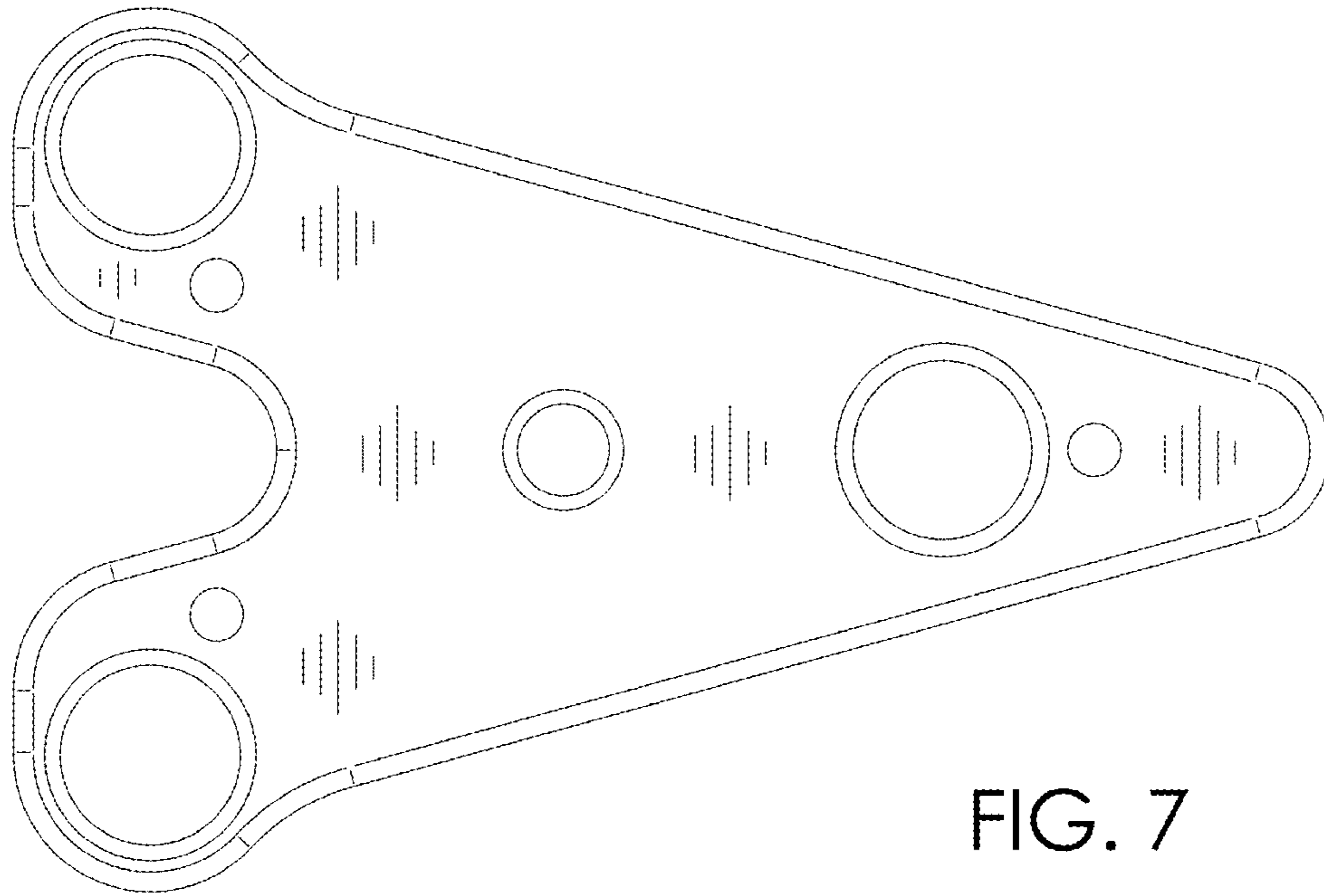


FIG. 7

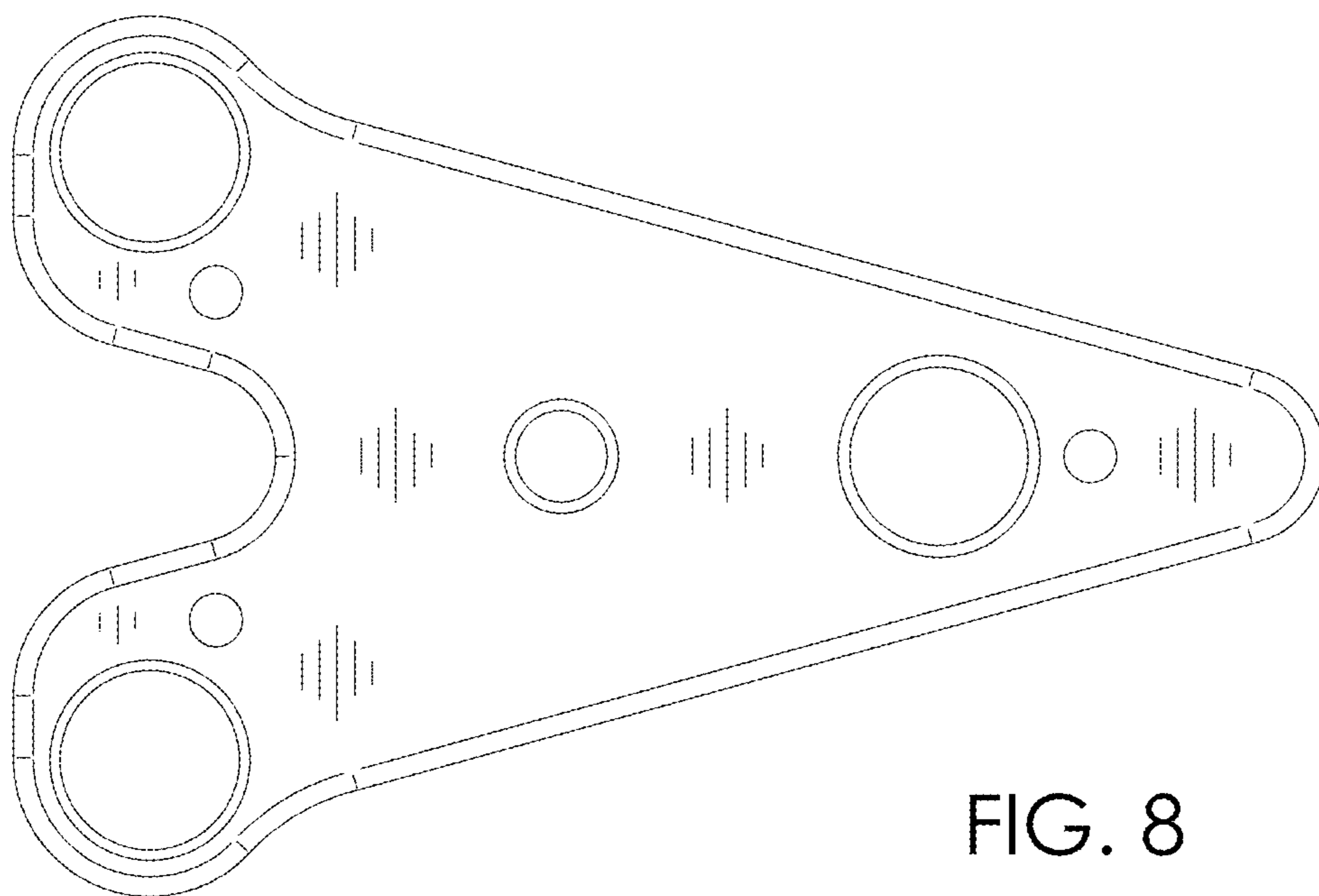


FIG. 8