



US00D829909S

(12) **United States Design Patent**
Horton

(10) **Patent No.:** **US D829,909 S**

(45) **Date of Patent:** **** Oct. 2, 2018**

- (54) **SPINAL IMPLANT**
- (71) Applicant: **NuTech Spine, Inc.**, Birmingham, AL (US)
- (72) Inventor: **Kenneth L. Horton**, Watersound, FL (US)
- (73) Assignee: **NUTECH SPINE, INC.**, Birmingham, AL (US)
- (**) Term: **15 Years**
- (21) Appl. No.: **29/617,124**
- (22) Filed: **Sep. 12, 2017**
- (51) **LOC (11) Cl.** **24-02**
- (52) **U.S. Cl.**
USPC **D24/155**
- (58) **Field of Classification Search**
USPC D24/155
See application file for complete search history.

- 8,021,430 B2 * 9/2011 Michelson A61F 2/30744
623/17.16
- D653,757 S * 2/2012 Binder A61F 2/446
D24/155
- D682,427 S * 5/2013 Farris A61F 2/447
D24/155
- D692,136 S * 10/2013 Tyber D24/155
- D708,747 S * 7/2014 Curran D24/155

* cited by examiner

Primary Examiner — Charles D Hanson

(74) *Attorney, Agent, or Firm* — C. Brandon Browning; Maynard, Cooper & Gale

(57) **CLAIM**

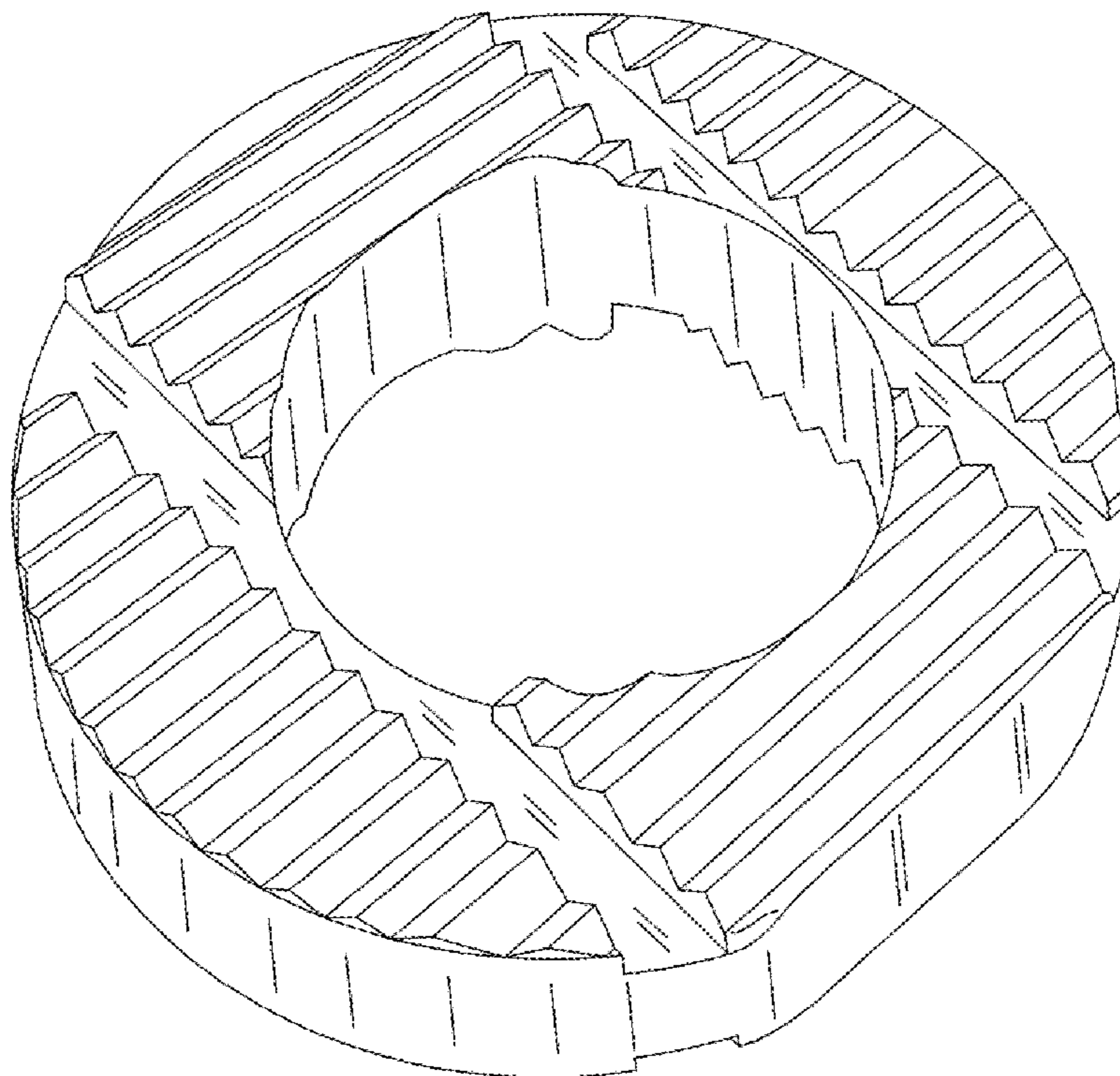
The ornamental design for a spinal implant, as shown and described herein.

DESCRIPTION

FIG. 1 is a top perspective view of a spinal implant showing my new design;
 FIG. 2 is a bottom perspective view thereof;
 FIG. 3 is a side elevation view thereof;
 FIG. 4 is a side elevation view of the opposite side thereof;
 FIG. 5 is a front elevational view thereof;
 FIG. 6 is a rear elevational view thereof;
 FIG. 7 is a top plan view thereof; and,
 FIG. 8 is a bottom plan view thereof.

1 Claim, 4 Drawing Sheets

- (56) **References Cited**
U.S. PATENT DOCUMENTS
D595,853 S * 7/2009 Hanson A61F 2/447
D24/155
D623,747 S * 9/2010 Horton A61F 2/442
D24/155
D623,750 S * 9/2010 Duffield D24/155
D631,967 S * 2/2011 Horton D24/155



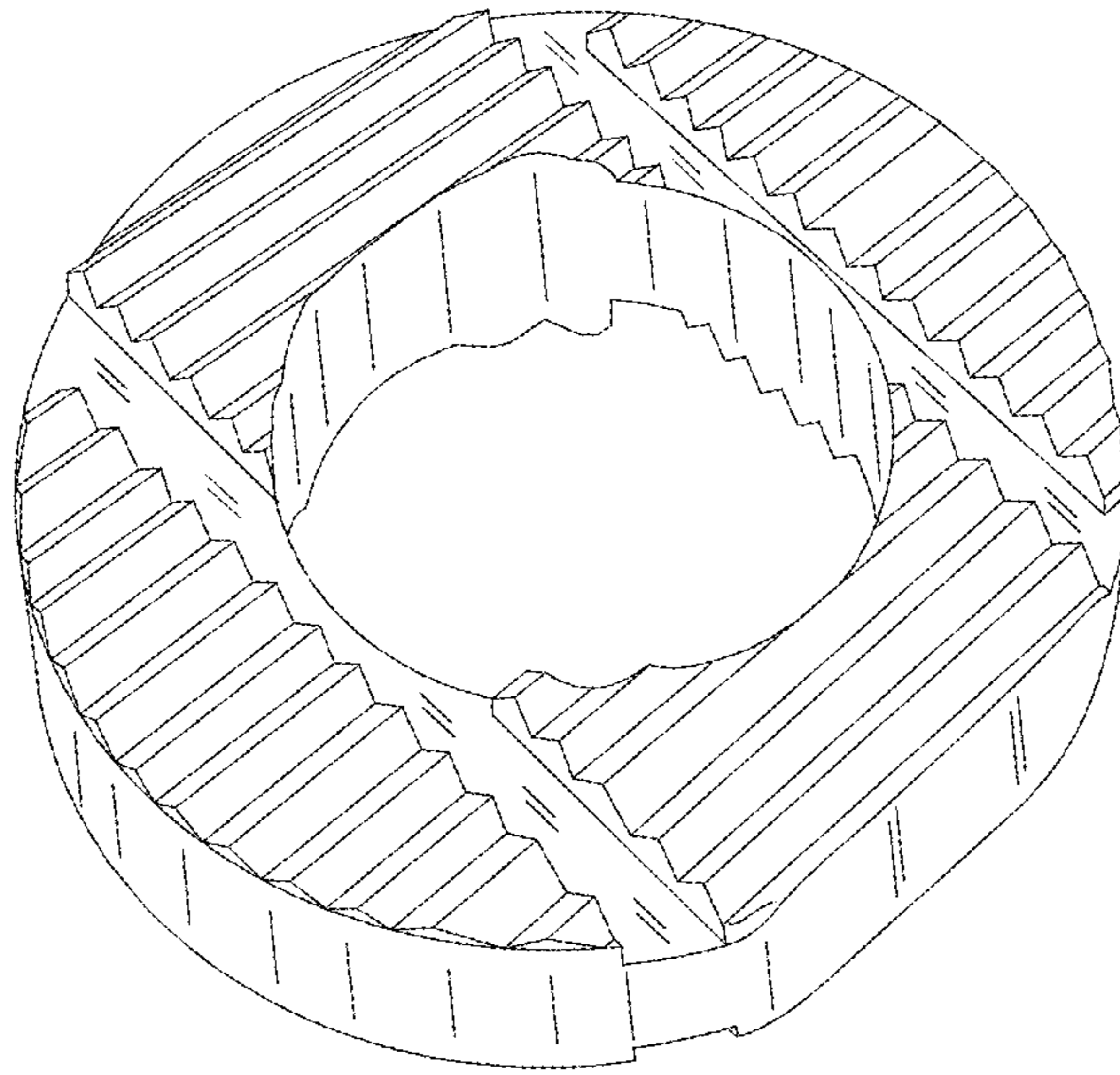


FIG. 1

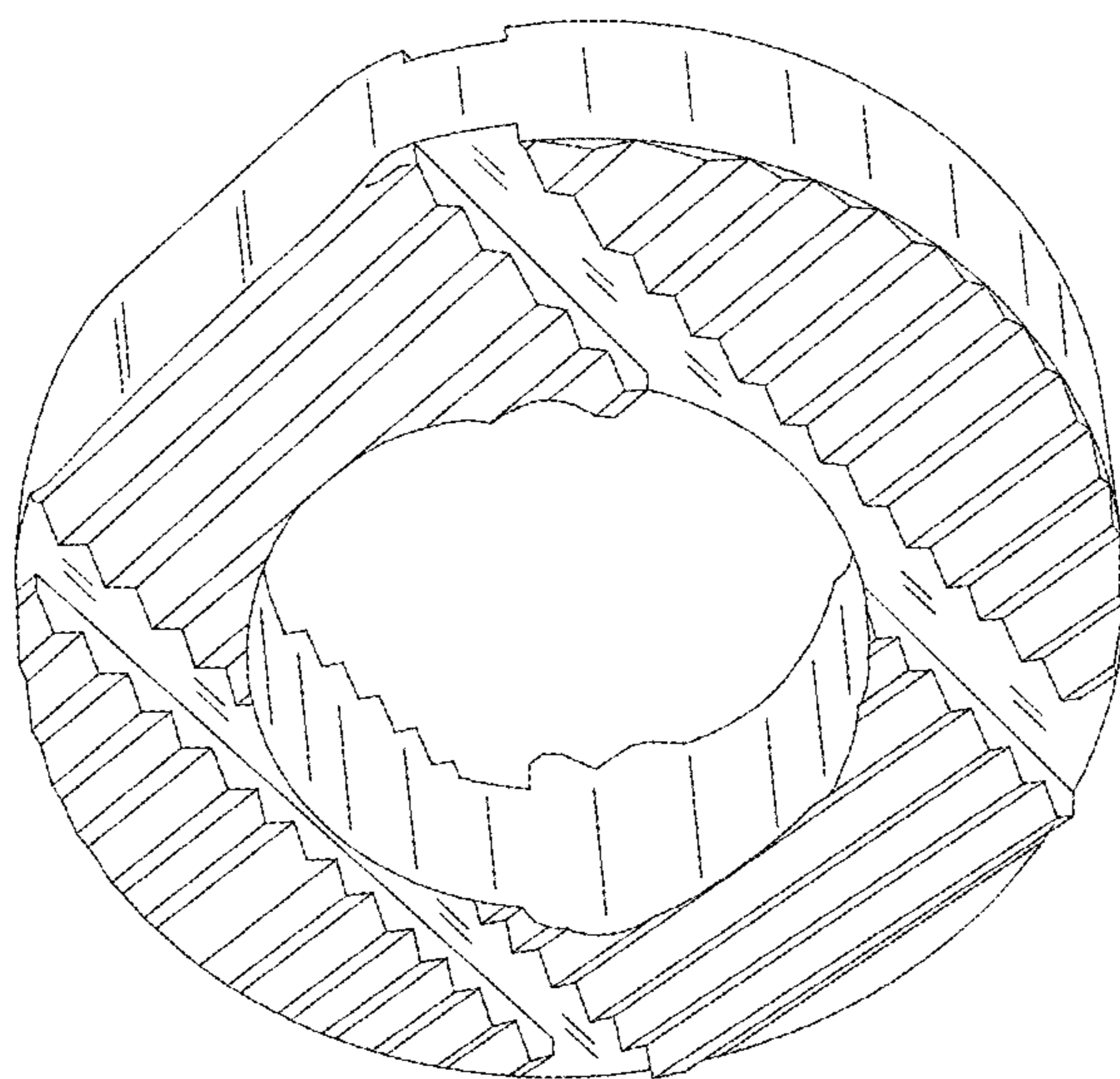


FIG. 2

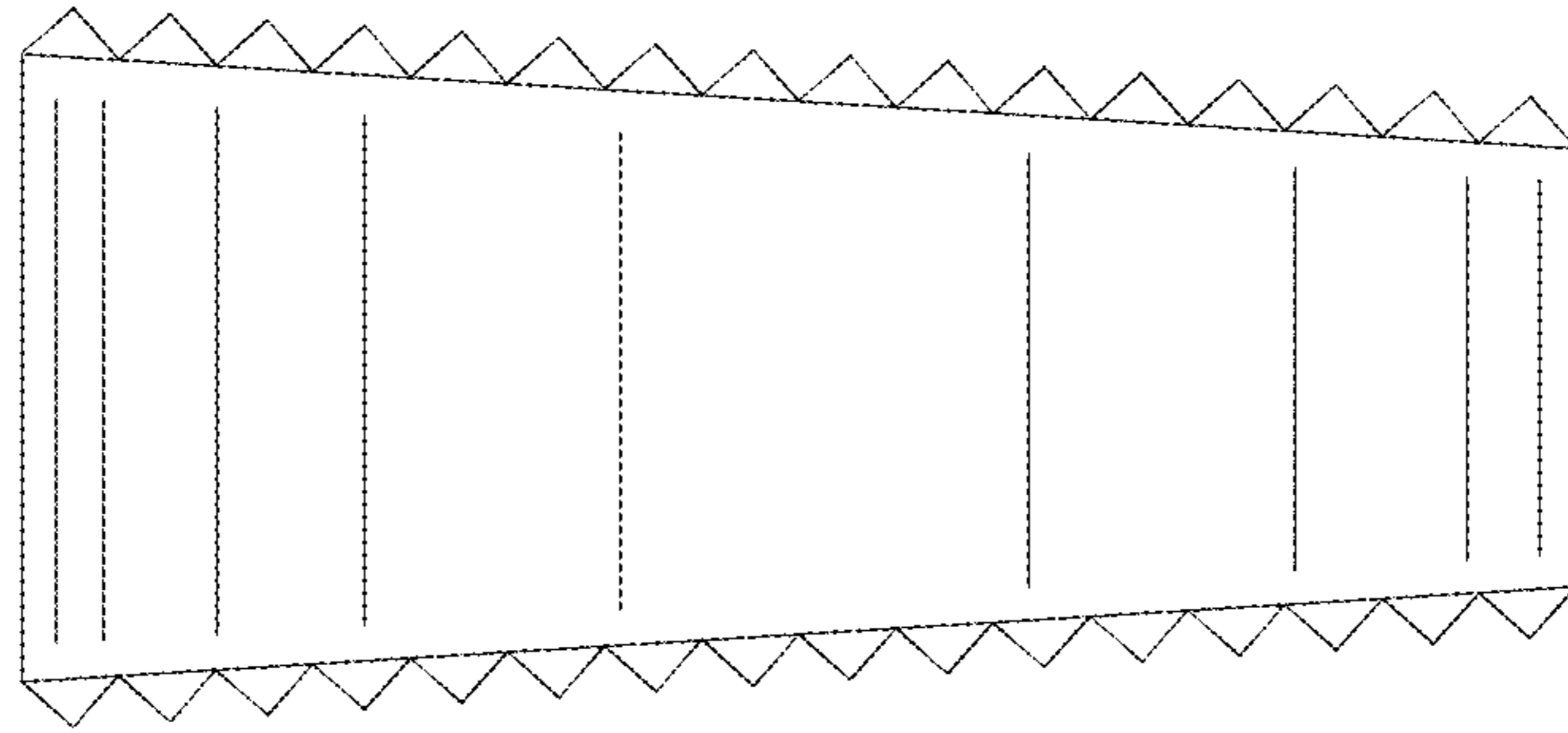


FIG. 3

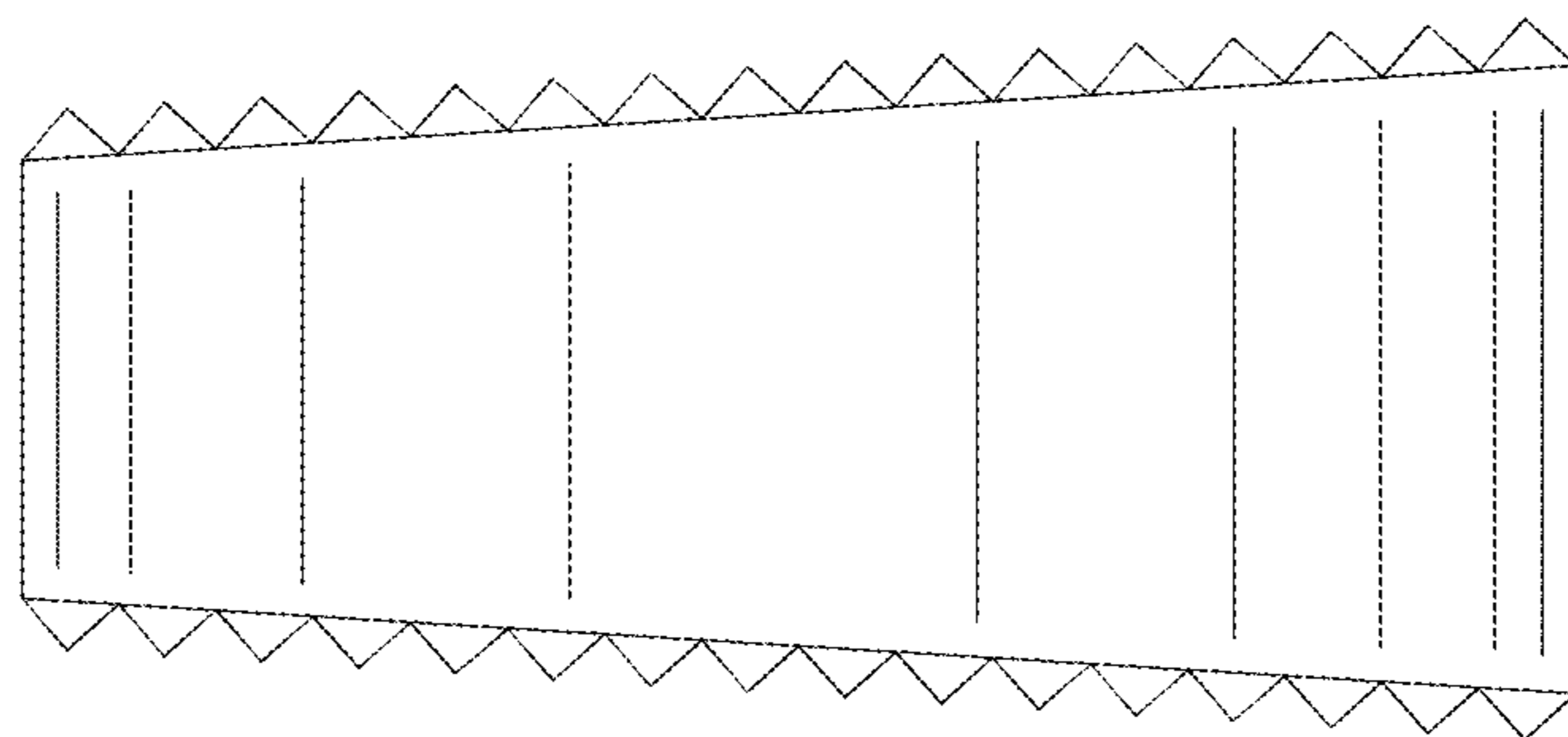


FIG. 4

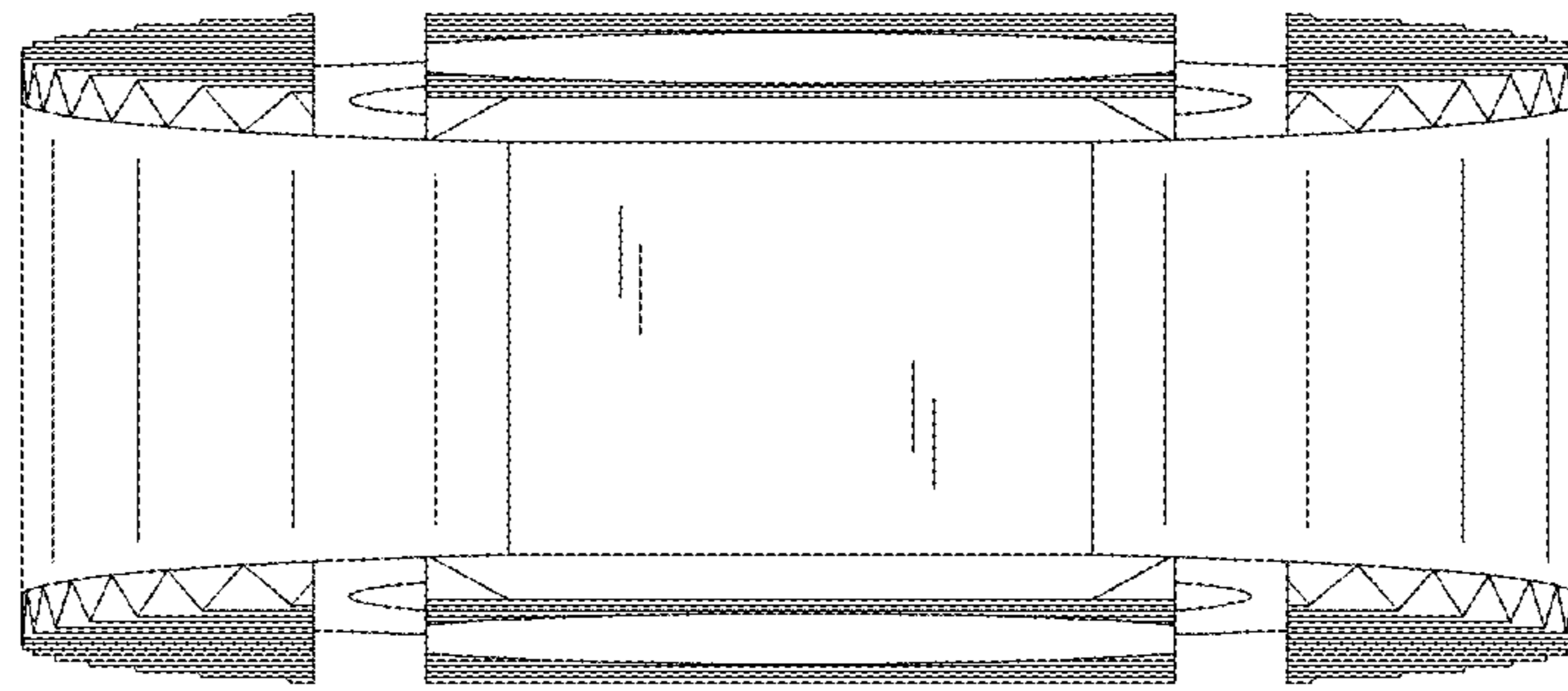


FIG. 5

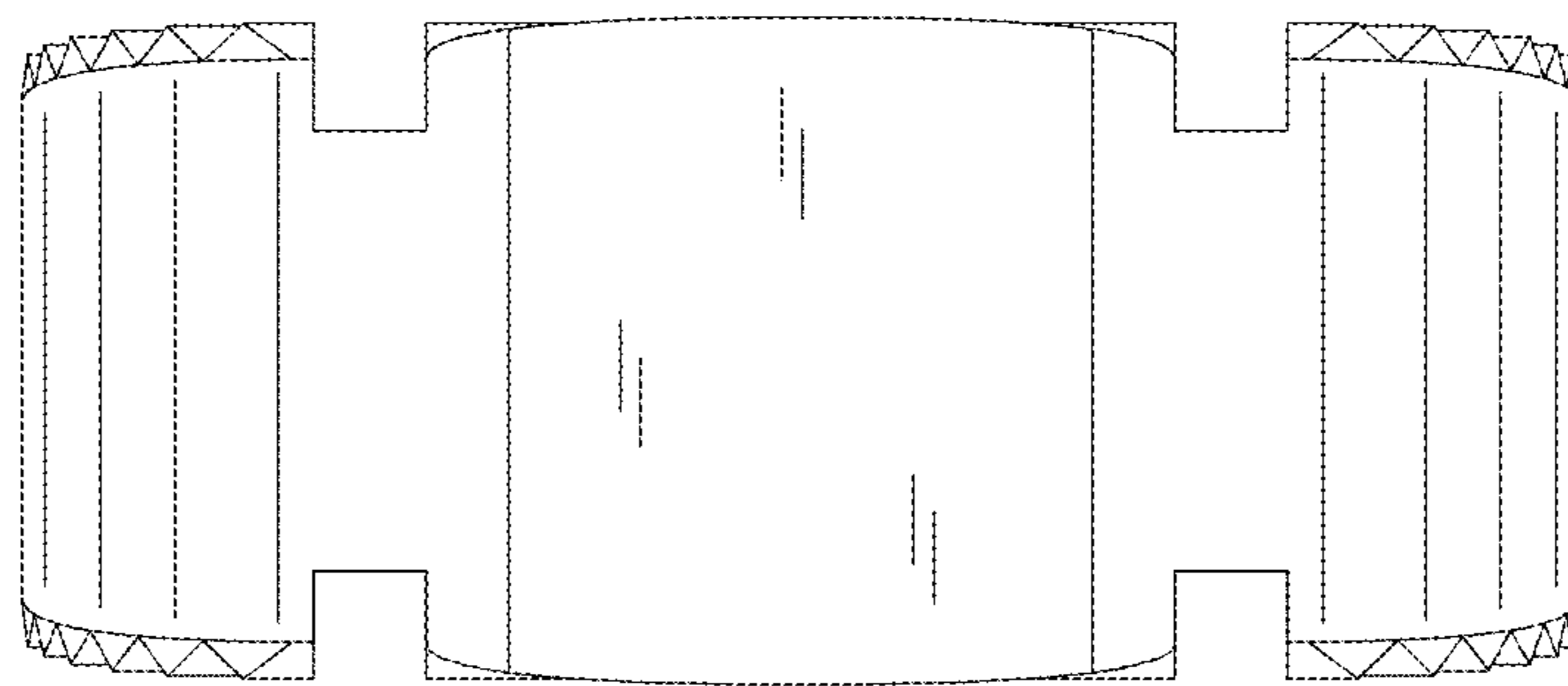


FIG. 6

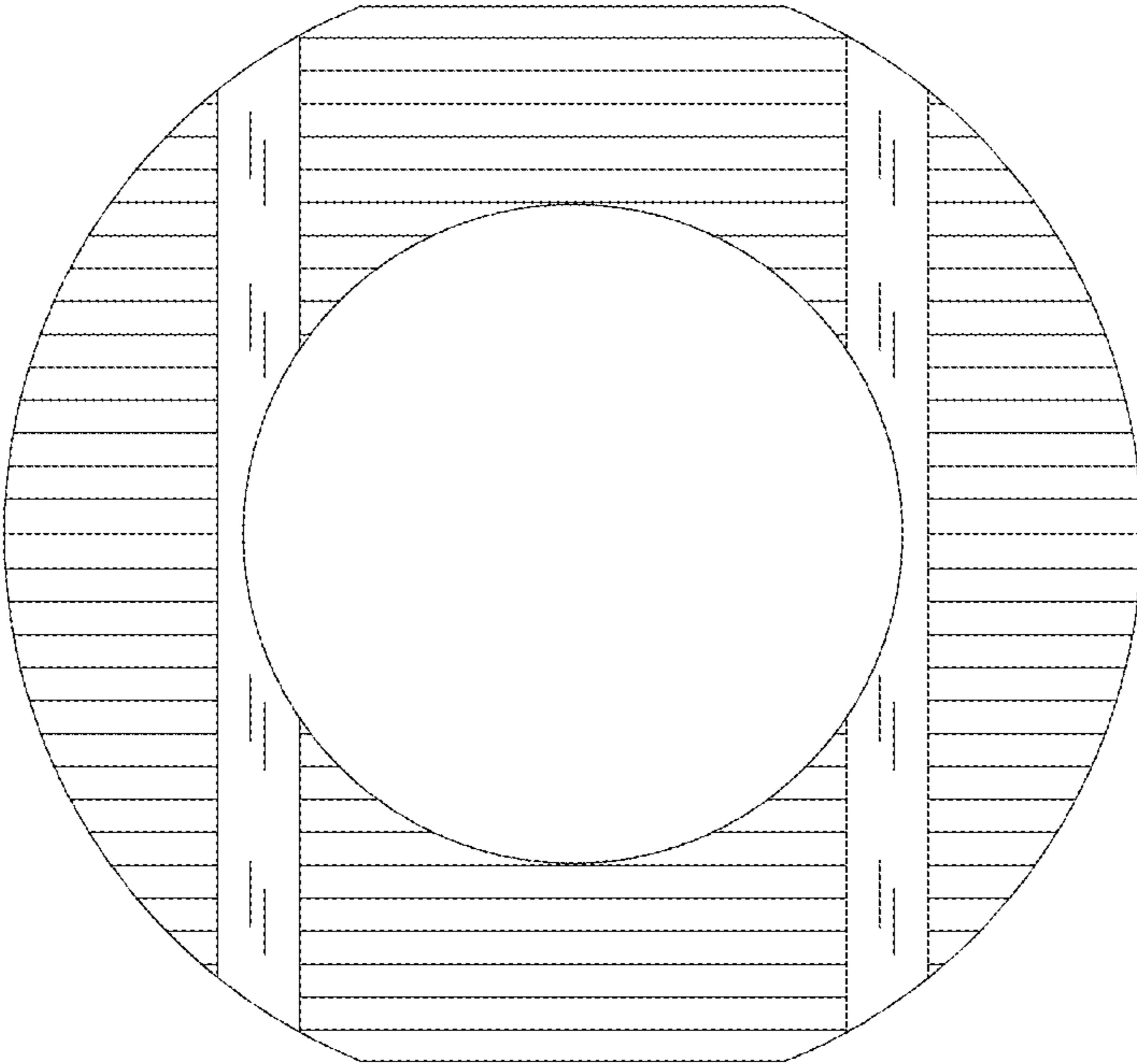


FIG. 7

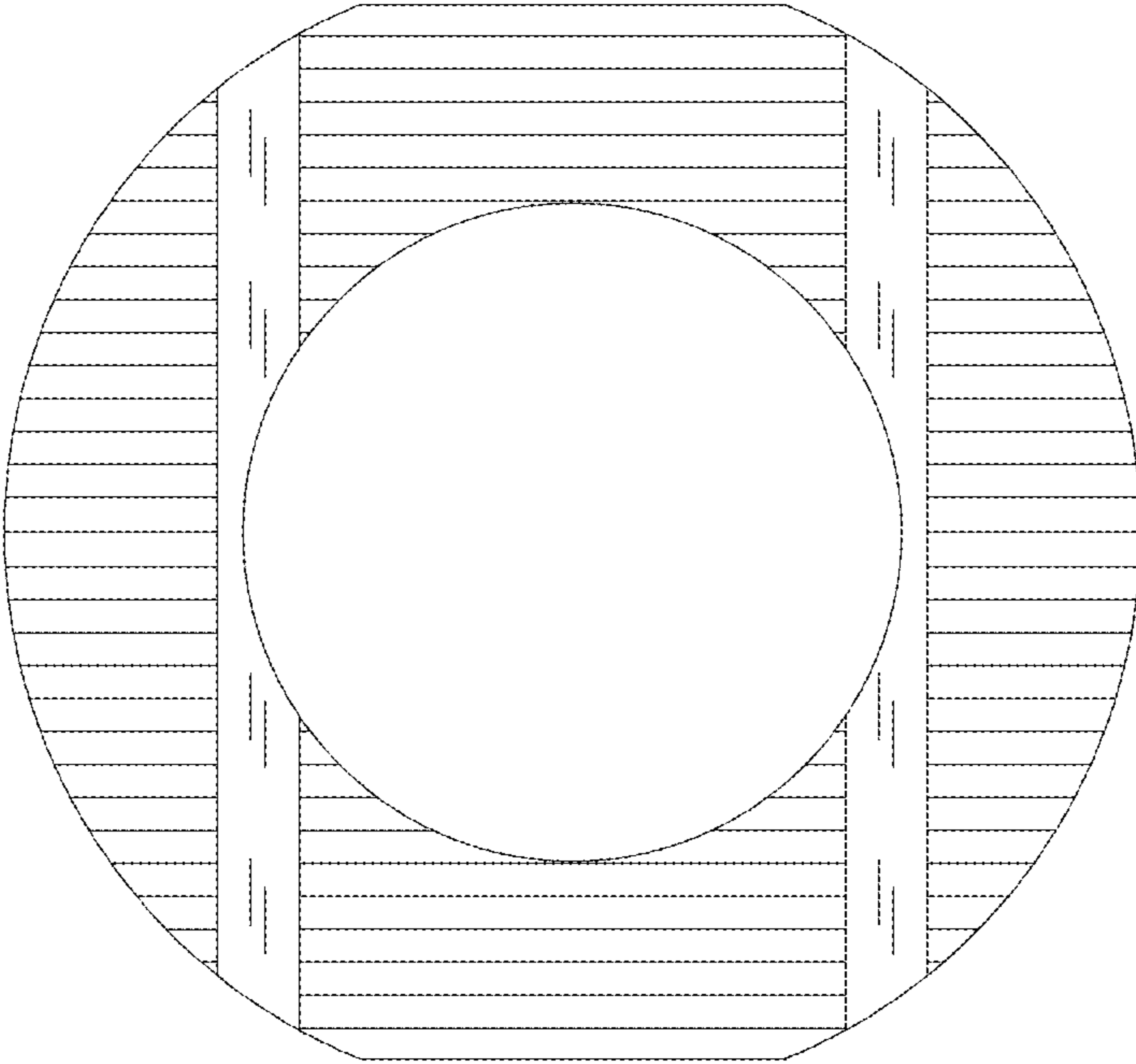


FIG. 8