



US00D829908S

(12) **United States Design Patent** (10) **Patent No.:** **US D829,908 S**
Wonderley (45) **Date of Patent:** **** Oct. 2, 2018**

- (54) **GRIP FOR A DERMA BLADE**
- (71) Applicant: **ACCUTECH BLADES, INC.**, Verona, VA (US)
- (72) Inventor: **Jeffrey Wonderley**, Fort Defiance, VA (US)
- (73) Assignee: **ACCUTECH BLADES, INC.**, Verona, VA (US)
- (**) Term: **15 Years**
- (21) Appl. No.: **29/595,741**
- (22) Filed: **Mar. 1, 2017**
- (51) **LOC (11) Cl.** **24-02**
- (52) **U.S. Cl.**
USPC **D24/147; D24/133**
- (58) **Field of Classification Search**
USPC D24/112-114, 146, 147, 133; D28/58, D28/59, 62, 57; D8/14, 107, 300, 301, D8/302, 303, 307, 311, 312, 315, 321; D9/434; D7/393, 394, 395; 30/287
CPC A61B 17/322; A61B 2017/00761; A61B 2017/0042; A61B 10/0233; A61B 2017/320004; A61B 2017/320008; A61B 17/3205; A61B 10/0266; A61B 2017/00424; B26B 21/56; B26B 5/006
See application file for complete search history.

D404,486 S *	1/1999	McCool	D24/146
D467,387 S *	12/2002	Wonderley	D28/45
D552,795 S *	10/2007	Wonderley	D24/133
D778,706 S *	2/2017	Atkins	D8/303
D807,146 S *	1/2018	Werdowatz	D8/107
D814,264 S *	4/2018	Werdowatz	D8/303

OTHER PUBLICATIONS

https://www.pfmmedical.com/en/productcatalogue/kai_biopsyblades/biopsiblade_bb_01/index.html. Date of search, Jun. 15, 2017.

* cited by examiner

Primary Examiner — Thomas J Johannes
Assistant Examiner — Samantha Q. Lawrence
(74) *Attorney, Agent, or Firm* — McGuireWoods LLP

(57) **CLAIM**

I claim the ornamental design for a grip for a derma blade, as shown and described.

DESCRIPTION

FIG. 1 is an isometric front view of a grip for a derma blade; FIG. 2 is a front view of the grip of FIG. 1; FIG. 3 is a rear view of the grip of FIG. 1; FIG. 4 is a left side view of the grip of FIG. 1; FIG. 5 is a right side view of the grip of FIG. 1; FIG. 6 is a top view of the grip of FIG. 1; FIG. 7 is a bottom view of the grip of FIG. 1; FIG. 8 is an isometric rear view of the grip of FIG. 1; and, FIG. 9 is a perspective view of the grip of FIG. 1 shown with the derma blade.

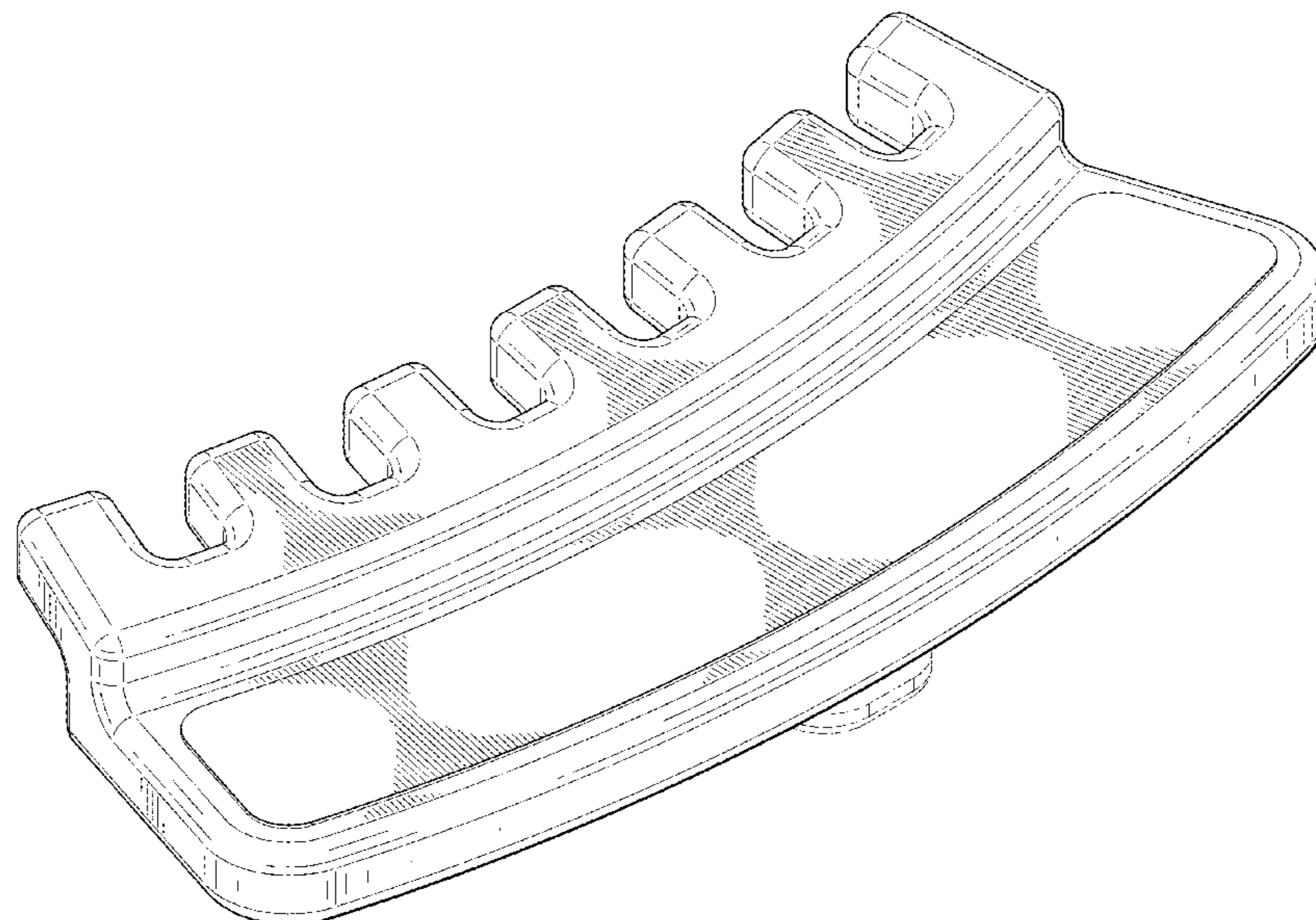
The broken lines shown in FIGS. 1-5, 7 and 8 illustrate portions of the grip for derma blade that form no part of the claimed design. The remaining broken lines shown in FIG. 9 illustrate environment and form no part of the claimed design.

1 Claim, 7 Drawing Sheets

(56) **References Cited**

U.S. PATENT DOCUMENTS

5,674,234 A *	10/1997	McCool	A61B 17/32093
				30/32
D402,367 S *	12/1998	McCool	D24/146
D403,035 S *	12/1998	MacPherson	D21/684



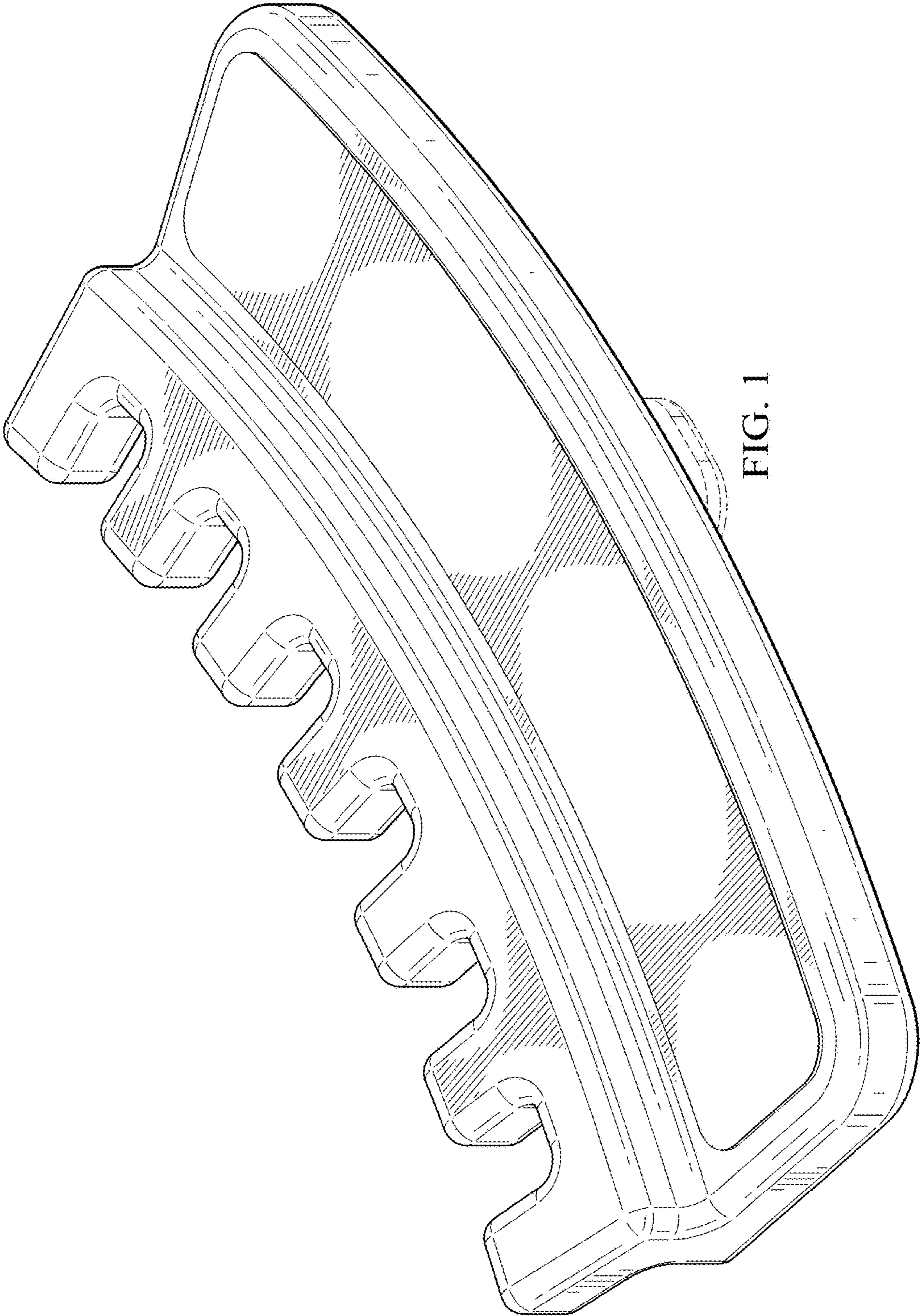


FIG. 1

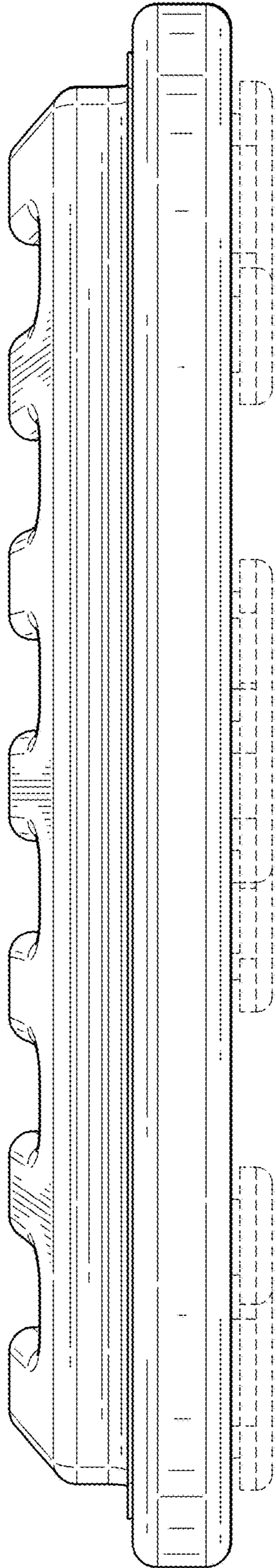


FIG. 2

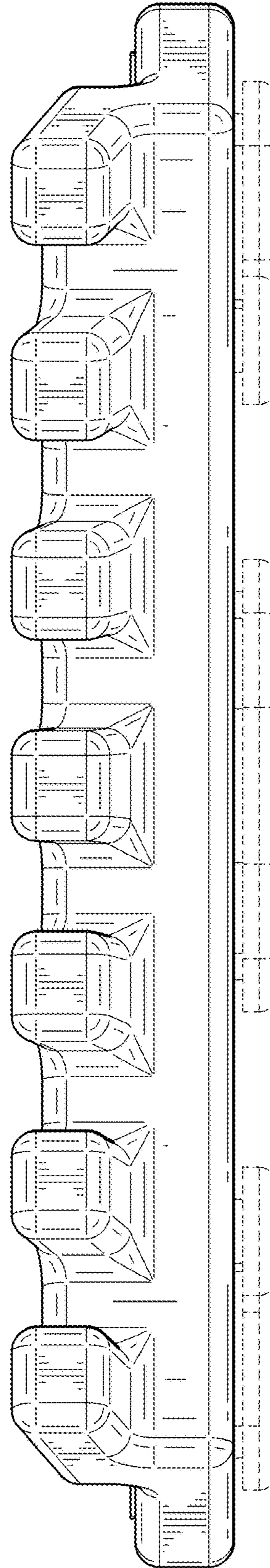


FIG. 3

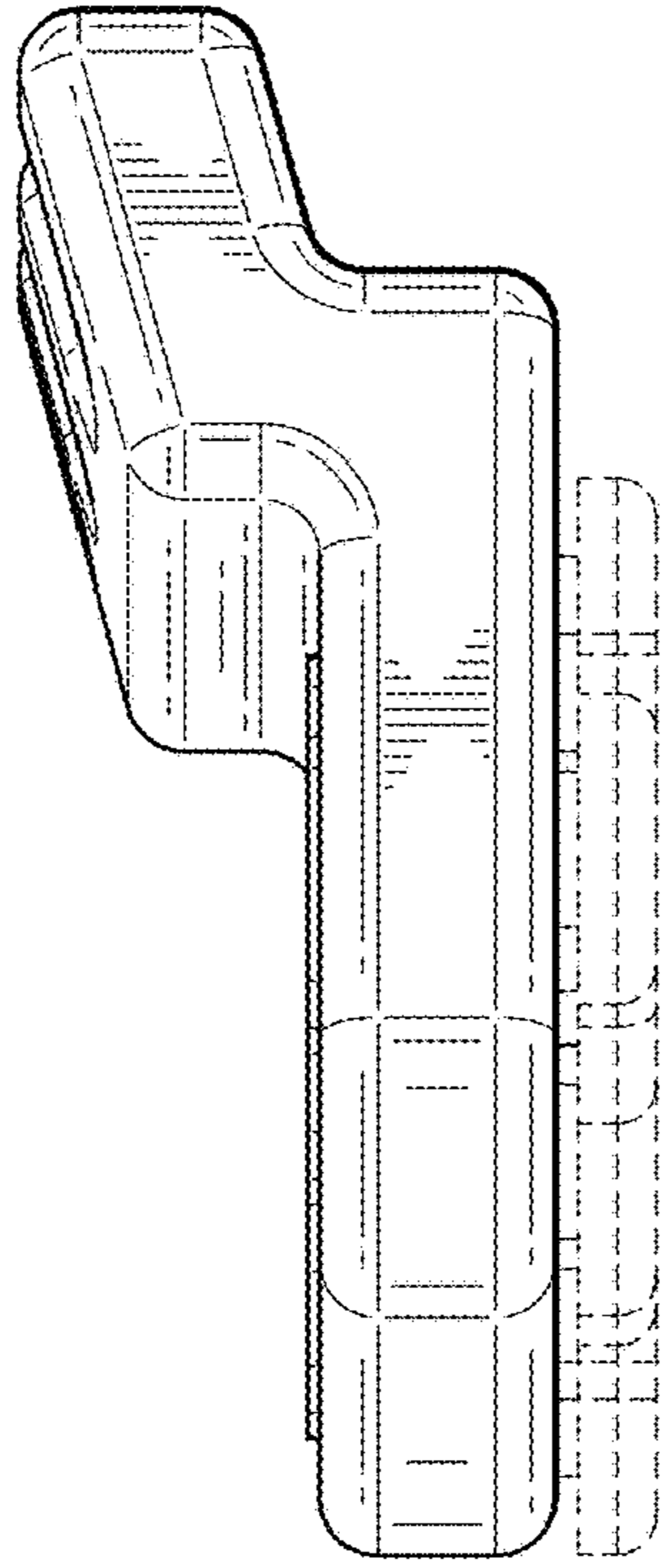


FIG. 5

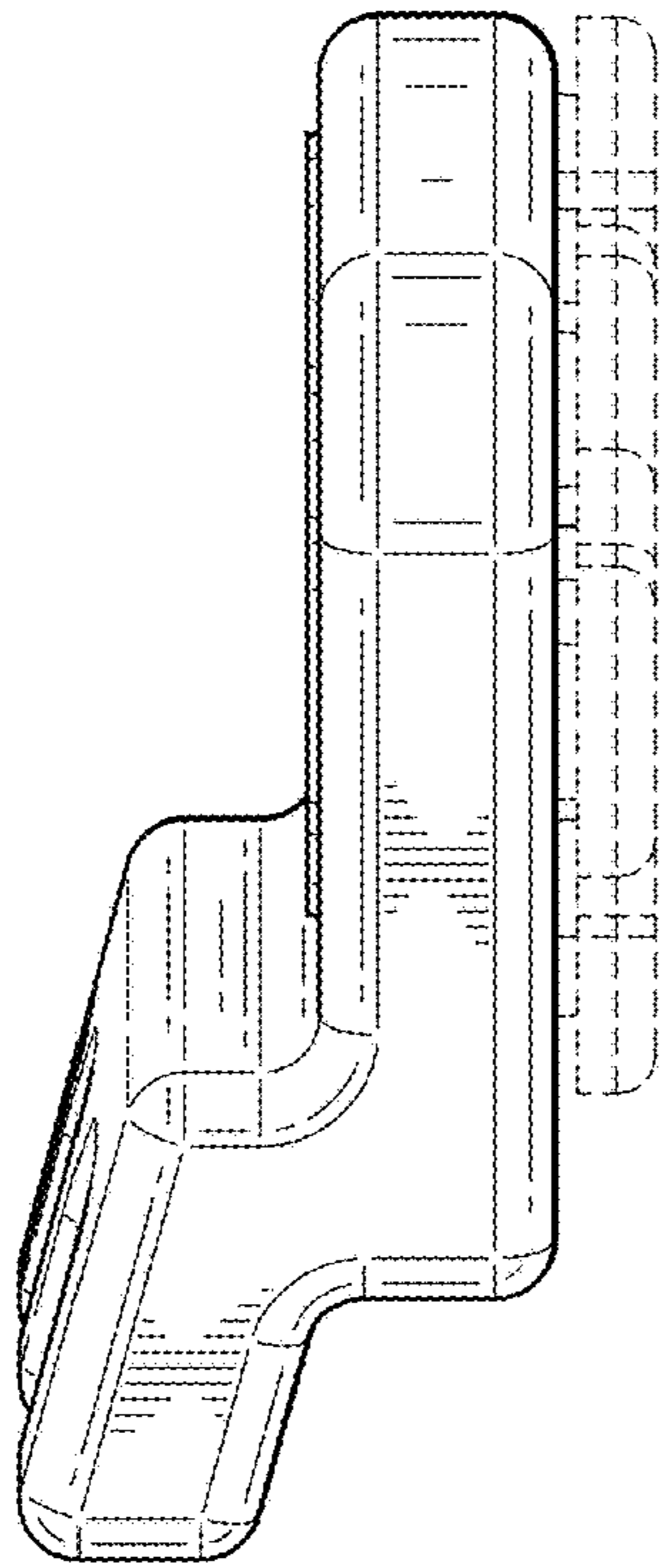


FIG. 4

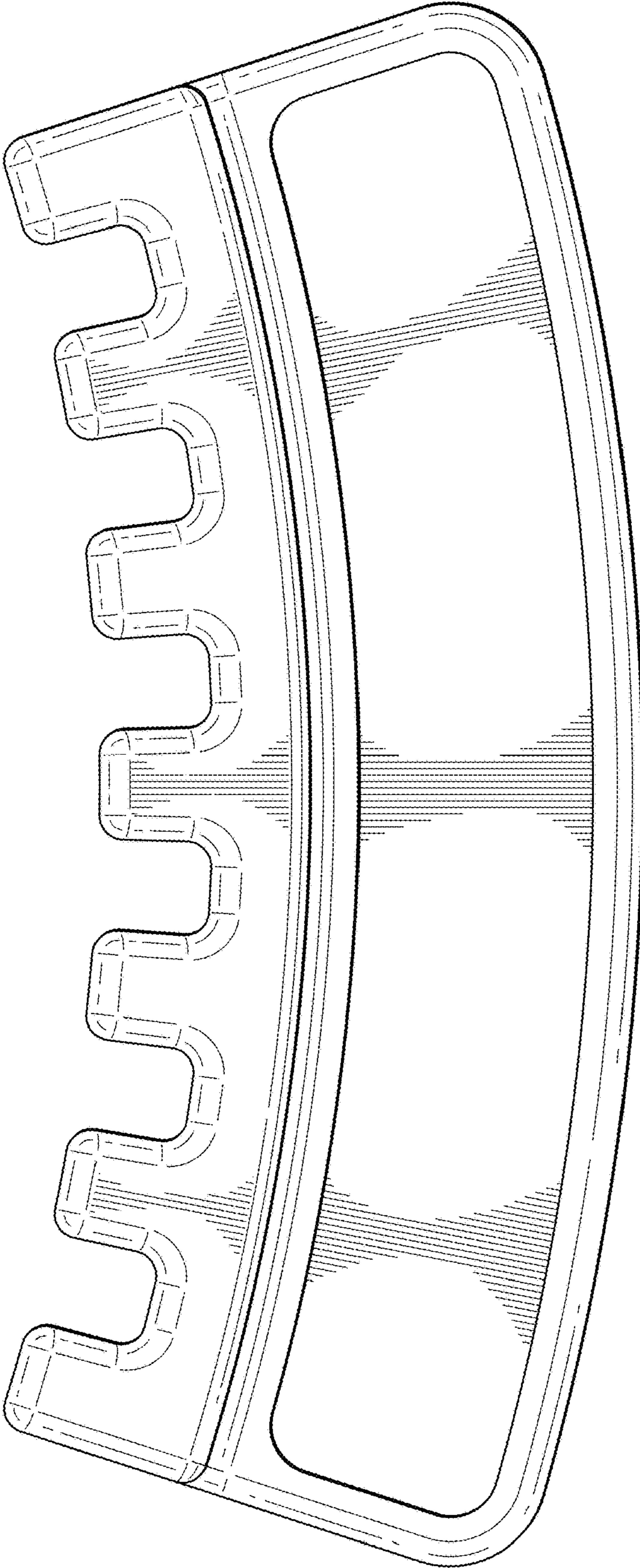


FIG. 6

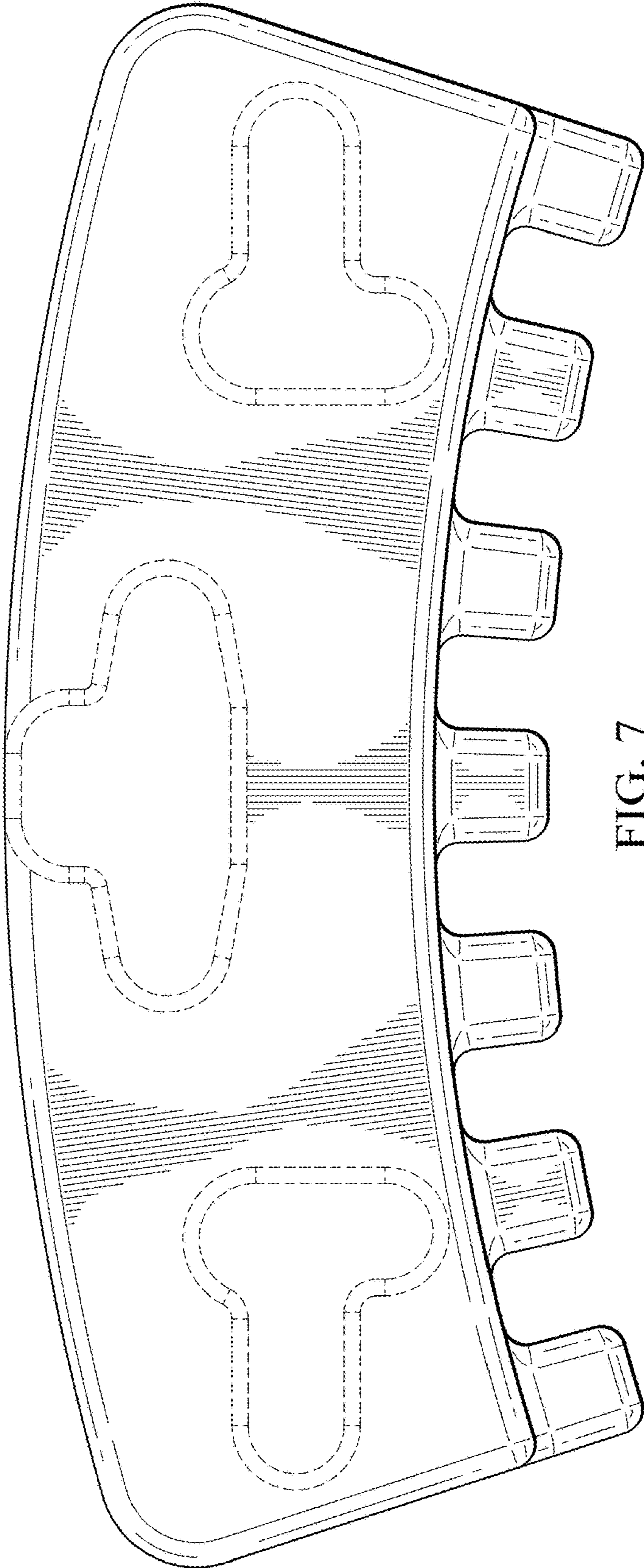


FIG. 7

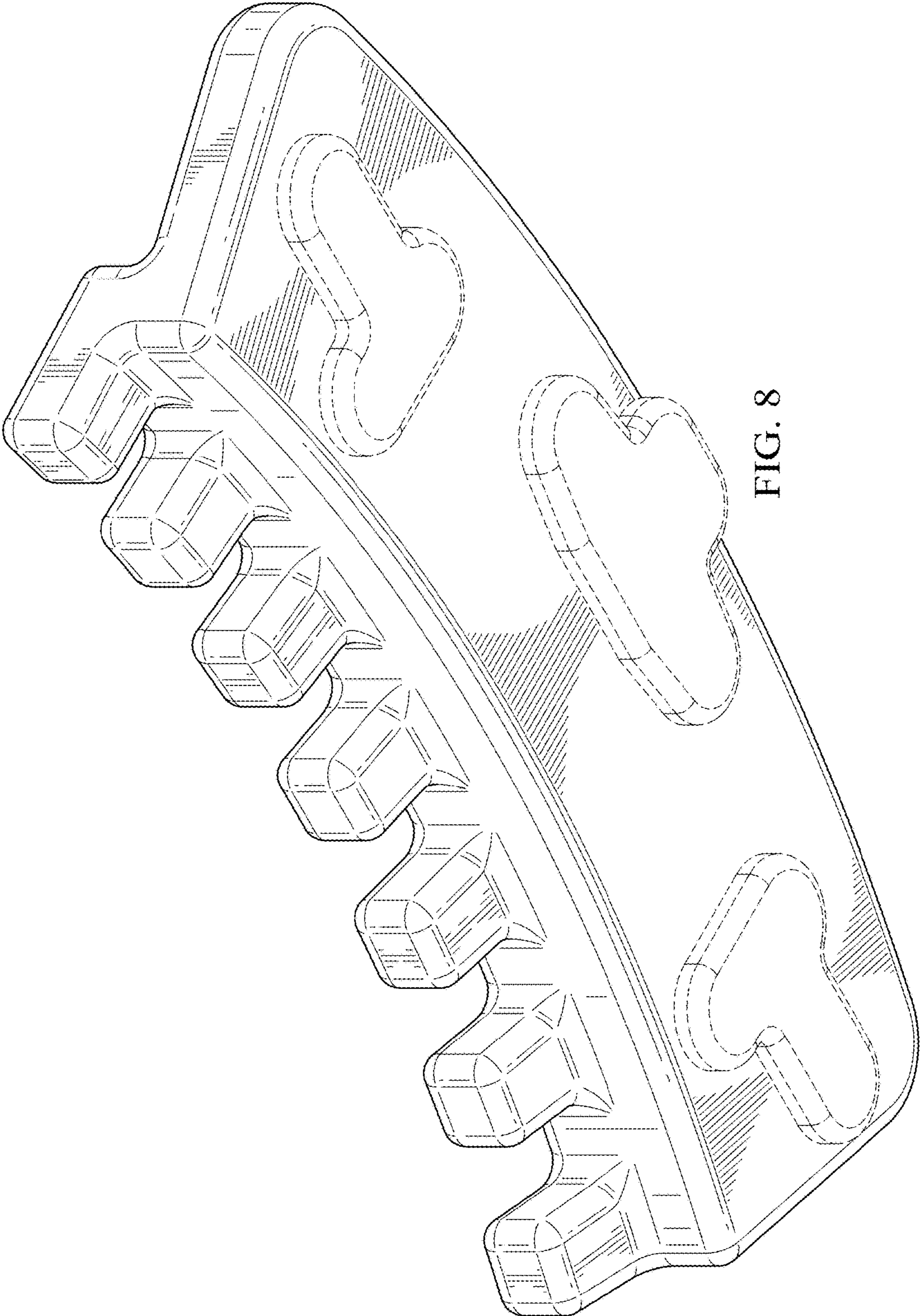


FIG. 8

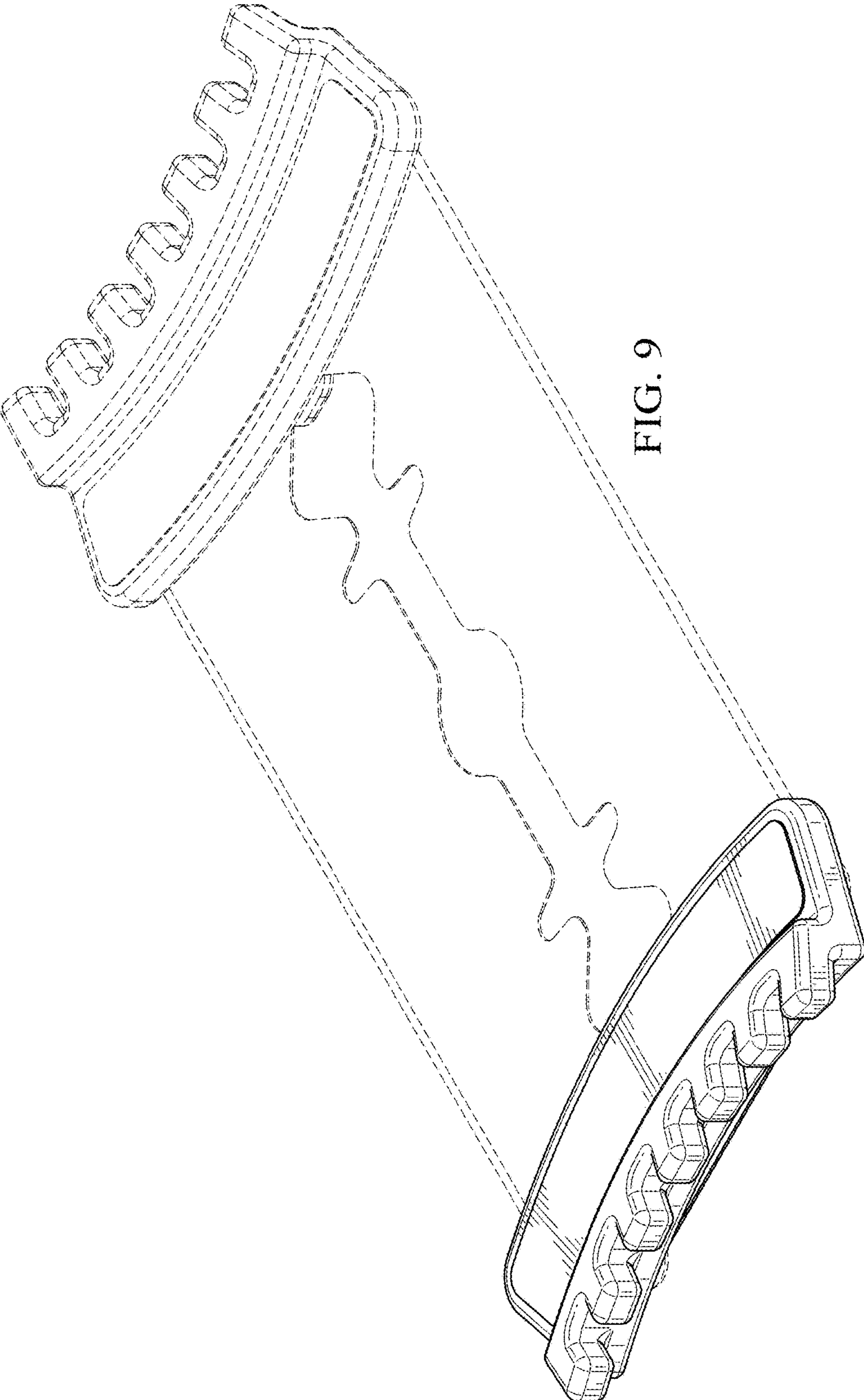


FIG. 9