



US00D829904S

(12) **United States Design Patent**
Piferi et al.

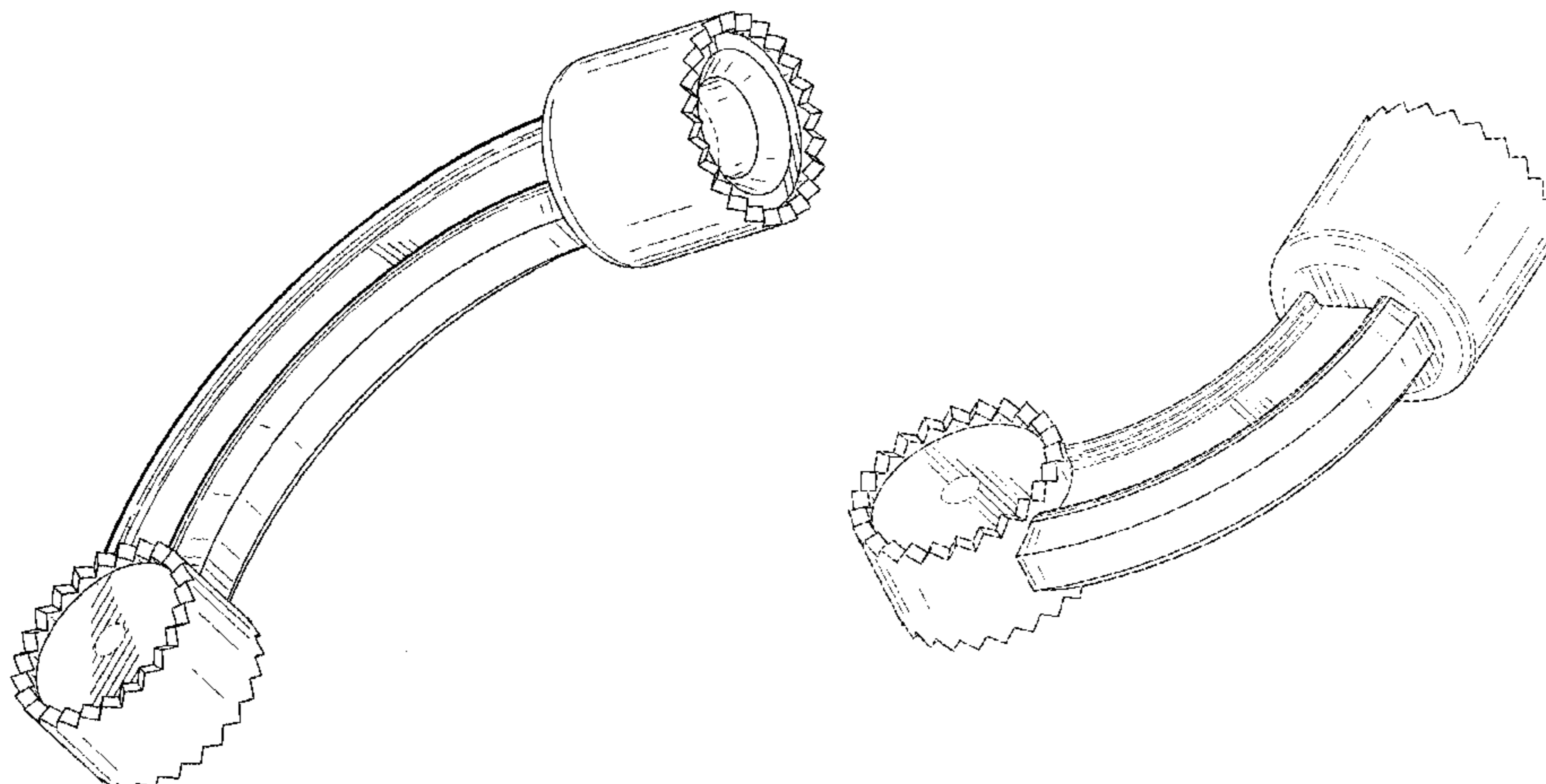
(10) **Patent No.:** **US D829,904 S**
(45) **Date of Patent:** **** Oct. 2, 2018**

- (54) **CURVED BRACKET FOR SURGICAL NAVIGATION SYSTEMS**
- (71) Applicant: **MRI Interventions, Inc.**, Irvine, CA (US)
- (72) Inventors: **Peter G. Piferi**, Orange, CA (US);
Maxwell Jerad Daly, Redlands, CA (US)
- (73) Assignee: **MRI Interventions, Inc.**, Irvine, CA (US)
- (**) Term: **15 Years**
- (21) Appl. No.: **29/551,409**
- (22) Filed: **Jan. 13, 2016**
- (51) **LOC (11) Cl.** **24-02**
- (52) **U.S. Cl.**
USPC **D24/140; D24/133**
- (58) **Field of Classification Search**
USPC D24/133, 140, 127, 128, 158, 160;
D8/363, 364, 380, 381; 600/417, 424,
600/429; 248/304
CPC A61B 90/10; A61B 90/11; A61B 90/13;
A61B 90/14; A61B 5/055; A61B 5/0555;
A61B 5/00
See application file for complete search history.

D378,133	S *	2/1997	Murakami	D24/158
D378,233	S *	2/1997	Warner	D24/130
5,913,820	A	6/1999	Bladen et al.		
6,050,992	A	4/2000	Nichols		
6,167,311	A	12/2000	Rezai		
D444,233	S *	6/2001	Bohanan	D24/133
D453,143	S *	1/2002	Jones	D13/122
6,356,786	B1	3/2002	Rezai et al.		
6,405,079	B1	6/2002	Ansarinia		
6,438,423	B1	8/2002	Rezai et al.		
6,526,318	B1	2/2003	Ansarinia		
6,539,263	B1	3/2003	Schiff et al.		
6,609,030	B1	8/2003	Rezai et al.		
6,675,037	B1	1/2004	Tsekos		
6,708,064	B2	3/2004	Rezai		
D490,698	S *	6/2004	Graves	D8/367
6,799,074	B1	9/2004	Thomas et al.		
6,920,347	B2	7/2005	Simon et al.		
6,940,941	B2	9/2005	Gregerson et al.		
6,949,106	B2	9/2005	Brock et al.		
7,001,045	B2	2/2006	Gregerson et al.		
7,106,825	B2	9/2006	Gregerson et al.		
7,108,421	B2	9/2006	Gregerson et al.		
7,188,998	B2	3/2007	Gregerson et al.		
7,219,665	B1 *	5/2007	Braithwaite	A61M 15/0045 128/203.12
7,491,198	B2	2/2009	Kockro		
7,658,879	B2	2/2010	Solar		
7,706,600	B2	4/2010	Kreeger et al.		
7,720,522	B2	5/2010	Solar et al.		
7,730,563	B1	6/2010	Sklar et al.		
7,751,865	B2	7/2010	Jacob et al.		
D621,244	S *	8/2010	Kundinger, Jr.	D8/381
8,073,530	B2	12/2011	Solar et al.		
8,150,494	B2	4/2012	Simon et al.		
8,175,677	B2	5/2012	Sayler et al.		
8,195,272	B2	6/2012	Piferi et al.		
8,238,631	B2	8/2012	Hartmann et al.		
8,315,689	B2	11/2012	Jenkins et al.		
8,340,743	B2	12/2012	Jenkins et al.		
8,374,677	B2	2/2013	Piferi et al.		
8,543,189	B2	9/2013	Paitel et al.		
D699,544	S *	2/2014	Lin	E05B 73/0082 D8/343
9,192,446	B2 *	11/2015	Piferi	A61B 90/11
D751,699	S *	3/2016	Mills	D24/127
9,387,010	B2 *	7/2016	Mark	A61B 17/320016
D772,041	S *	11/2016	Miner	D8/356
9,694,158	B2 *	7/2017	Slim	A61M 25/0113
9,857,733	B2 *	1/2018	Matsuzaki	G03G 15/0817
2001/0018584	A1	8/2001	Bays		
2003/0181810	A1	9/2003	Murphy et al.		
2004/0075768	A1	4/2004	Law et al.		

(56) **References Cited**
U.S. PATENT DOCUMENTS

D216,458	S *	1/1970	Nestrock	D25/43
D261,175	S *	10/1981	O'Day	D24/128
D266,142	S *	9/1982	Sikstrom	D8/356
4,819,521	A *	4/1989	Lang	B25B 13/463 81/177.1
5,116,345	A *	5/1992	Jewell	A61B 90/11 606/130
D330,154	S *	10/1992	Wagner	D13/122
D356,460	S *	3/1995	Vogels	D8/363
5,507,742	A	4/1996	Long et al.		
5,582,488	A *	12/1996	Dudley	A63H 33/042 16/367
5,592,939	A	1/1997	Martinelli et al.		



2004/0215071	A1	10/2004	Frank et al.	
2005/0242055	A1	11/2005	Oh	
2006/0053922	A1*	3/2006	Laabs	F16H 57/0431 74/467
2006/0282044	A1	12/2006	Mohammed	
2007/0129629	A1	6/2007	Beauregard et al.	
2007/0221218	A1*	9/2007	Warden	A61M 15/0045 128/203.15
2008/0097193	A1	4/2008	Karmarkar	
2008/0214922	A1	9/2008	Hartmann et al.	
2008/0275466	A1	11/2008	Skakoon	
2009/0112084	A1	4/2009	Piferi et al.	
2010/0125240	A1	5/2010	Spedden et al.	
2010/0229414	A1	9/2010	Nonni et al.	
2011/0083672	A1	4/2011	Webster et al.	
2011/0152860	A1	6/2011	Morejohn et al.	
2012/0046542	A1	2/2012	Casavoy et al.	
2012/0330135	A1	12/2012	Millahn et al.	
2013/0060146	A1	3/2013	Yang et al.	
2015/0031982	A1	1/2015	Piferi et al.	
2016/0324592	A1*	11/2016	Schuele	A61B 90/14
2017/0202631	A1	7/2017	Piferi et al.	

OTHER PUBLICATIONS

YouTube—Clearpoint Demonstration Video, announced Sep. 15, 2015 [online], [site visited Mar. 16, 2018]. Available from internet, URL: <https://www.youtube.com/watch?v=IA45R_kvBR8>.*

Brainlab Airo® Mobile Intraoperative CT, Brochure, 10 pages, 2014.

Brainlab Buzz™ Digital O.R., Brochure, 12 pages, 2012.

Brainlab Curve™ Image Guided Surgery, 2012, Brochure, 18 pages.

Brainlab Kick® Purely Navigation Using Optical Tracking, 4 pages, Retrieved from the internet on Jan. 16, 2015 at URL <https://www.brainlab.com/en/surgery-products/overview-platform-products/kick-navigation/>.

Brainlab, Image-Guided Surgery Platforms, 2 Pages, Retrieved from the internet on Oct. 1, 2014 at URL <https://www.brainlab.com/surgery-products/overview-platform-products/>.

Medtronic Framelink™, Simplified Planning and Navigation for DBS Procedures, 2009, 2 pages.

Medtronic Nexframe Stereotactic Image Guided System, 2 pages, Retrieved from the internet on Jan. 16, 2015 at URL <http://professional.medtronic.com/pt/neuro/dbs-md/prod/procedure-solutions/features-specifications/#.VLk0N9LF> To.

Medtronic Stealth Station® Surgical Navigation Systems, Dec. 11, 2014, 2 pages, Retrieved from the internet at URL <http://www.medtronic.com/for-healthcare-professionals/products-therapies/spinal/surgical-navigation-imaging/surgical-navigation-systems/>.

Medtronic, Deep Brain Stimulation for Movement Disorders, 2 pages, Retrieved from the internet on Sep. 22, 2014 at URL <http://professional.medtronic.com/pt/neuro/dbs-md/prod/procedure-solutions/index.htm>.

Northern Digital Inc., NDI, Disposable Reflective Marker Spheres for Brainlab IGS Systems, 4 pages, Retrieved from the internet on Jan. 16, 2015 at URL <http://spheres.ndigital.com/>.

Northern Digital Inc., The Original IGS Sphere, 7 Pages, Retrieved from the internet on Sep. 22, 2014 at URL <http://spheres.ndigital.com/ndi-passive-spheres/>.

Stryker eNlite Navigation System, 1 page, Retrieved from the internet on Jan. 16, 2015 from URL <http://www.stryker.com/latm/products/OREquipmentConnectivity/SurgicalNavigation/SurgicalNavigationSystems/EnliteLaptop/index.htm>.

Stryker Integrated NavSuite Operating Room, 2008, Brochure, 3 pages.

Stryker System II Navigation System, 2006, Brochure, 2 pages.

Photographs obtained of commercial probe tracking devices, date photographs on internet first available unknown, but prior to filing the pending application on Oct. 15, 2014, 1 page.

International Search Report and Written Opinion for related PCT Application No. PCT/US2014/060644, dated Jan. 26, 2015, 14 pages.

* cited by examiner

Primary Examiner — Keli L Hill
Assistant Examiner — Karra S Johnson
(74) *Attorney, Agent, or Firm* — Myers Bigel, P.A.

(57) CLAIM

The ornamental design for a curved bracket for surgical navigation systems, as shown and described.

DESCRIPTION

FIG. 1 is a side perspective view of a curved bracket for surgical navigation systems showing our design with first and second connectors;
FIG. 2 is a front view of with the first connector above the second connector and facing outward;
FIG. 3 is a rear view of the orientation shown in FIG. 2 with the first connector facing inward;
FIG. 4 is a side view with a primary surface of the second connector below the first connector and facing outward;
FIG. 5 is an opposing side view of the orientation shown in FIG. 4;
FIG. 6 is a front view with the second connector above the first connector;
FIG. 7 is a rear view with the first connector above the second connector;
FIG. 8 is an exemplary environmental view illustrating the curved bracket for surgical navigation systems attached to a trajectory frame and holding a reference frame with fiducials according to embodiments of the present invention;
FIG. 9 is a side perspective view of a curved bracket for surgical navigation systems showing another embodiment of our design with the first and second connectors;
FIG. 10 is a front view of with the first connector above the second connector and facing outward;
FIG. 11 is a rear view of the orientation shown in FIG. 10 with the first connector facing inward;
FIG. 12 is a side view with a primary surface of the second connector below the first connector and facing outward;
FIG. 13 is an opposing side view of the orientation shown in FIG. 12;
FIG. 14 is a front view with the second connector above the first connector;
FIG. 15 is a rear view and with the first connector above the second connector; and,
FIG. 16 is an exemplary environmental view illustrating the curved bracket for surgical navigation systems attached to a trajectory frame and holding a reference frame with fiducials according to embodiments of the present invention.
The broken lines shown are included for the purpose of illustrating unclaimed background articles and portions of the curved bracket for surgical navigation systems that form no part of the claim.

1 Claim, 12 Drawing Sheets

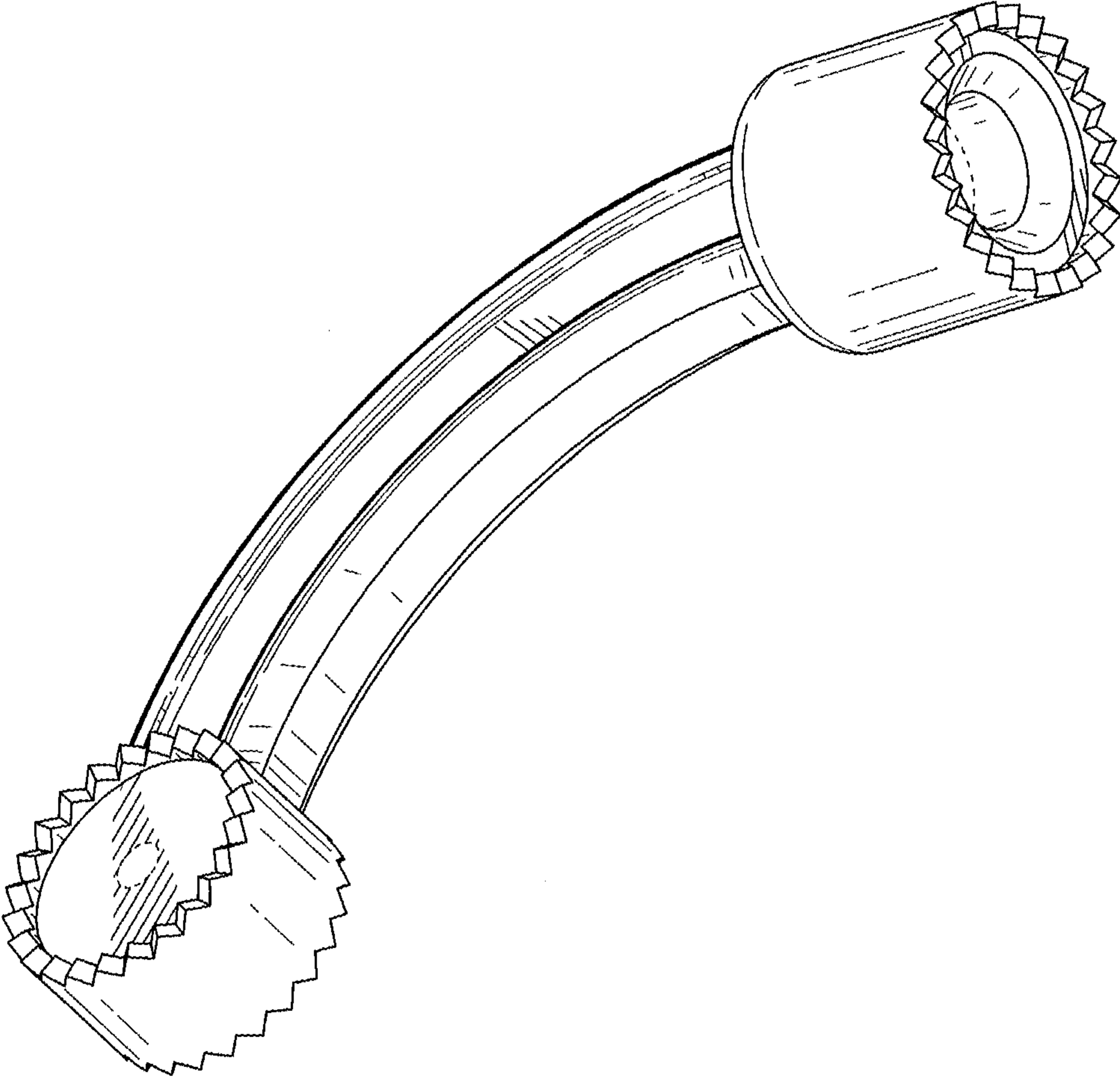


FIG. 1

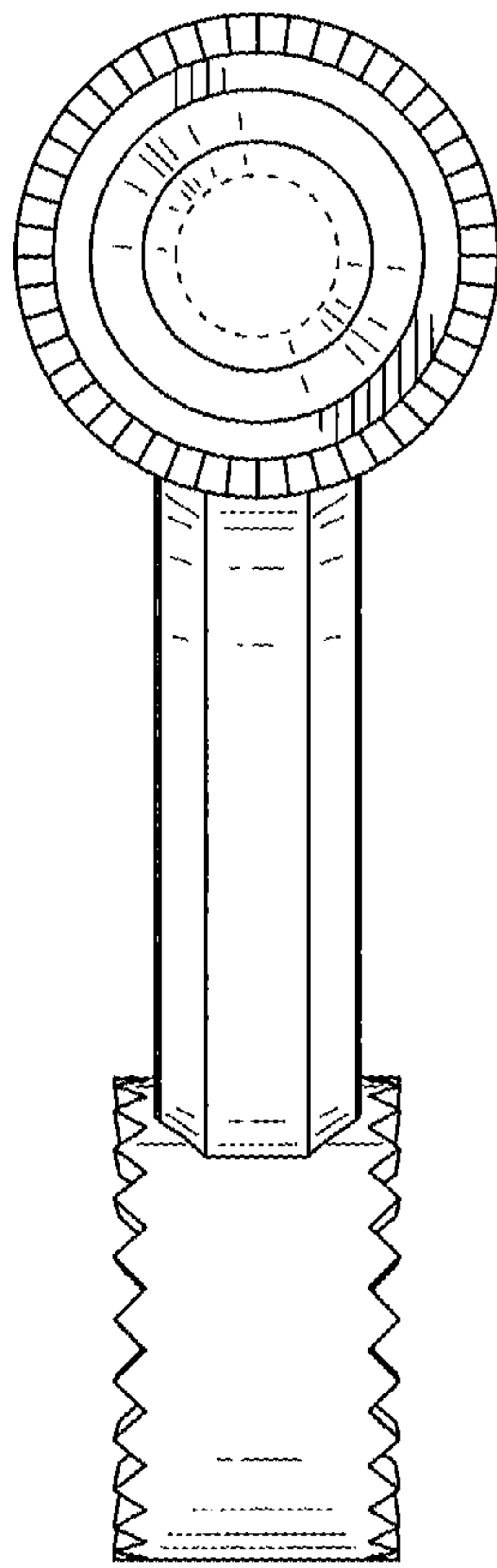


FIG. 2

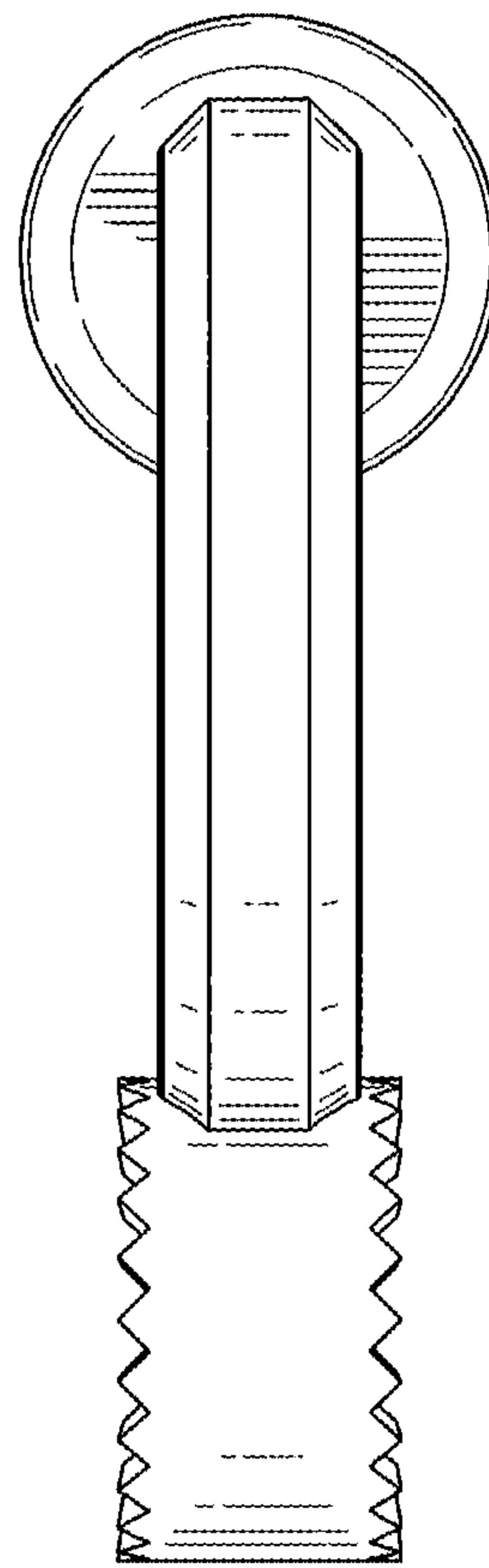


FIG. 3

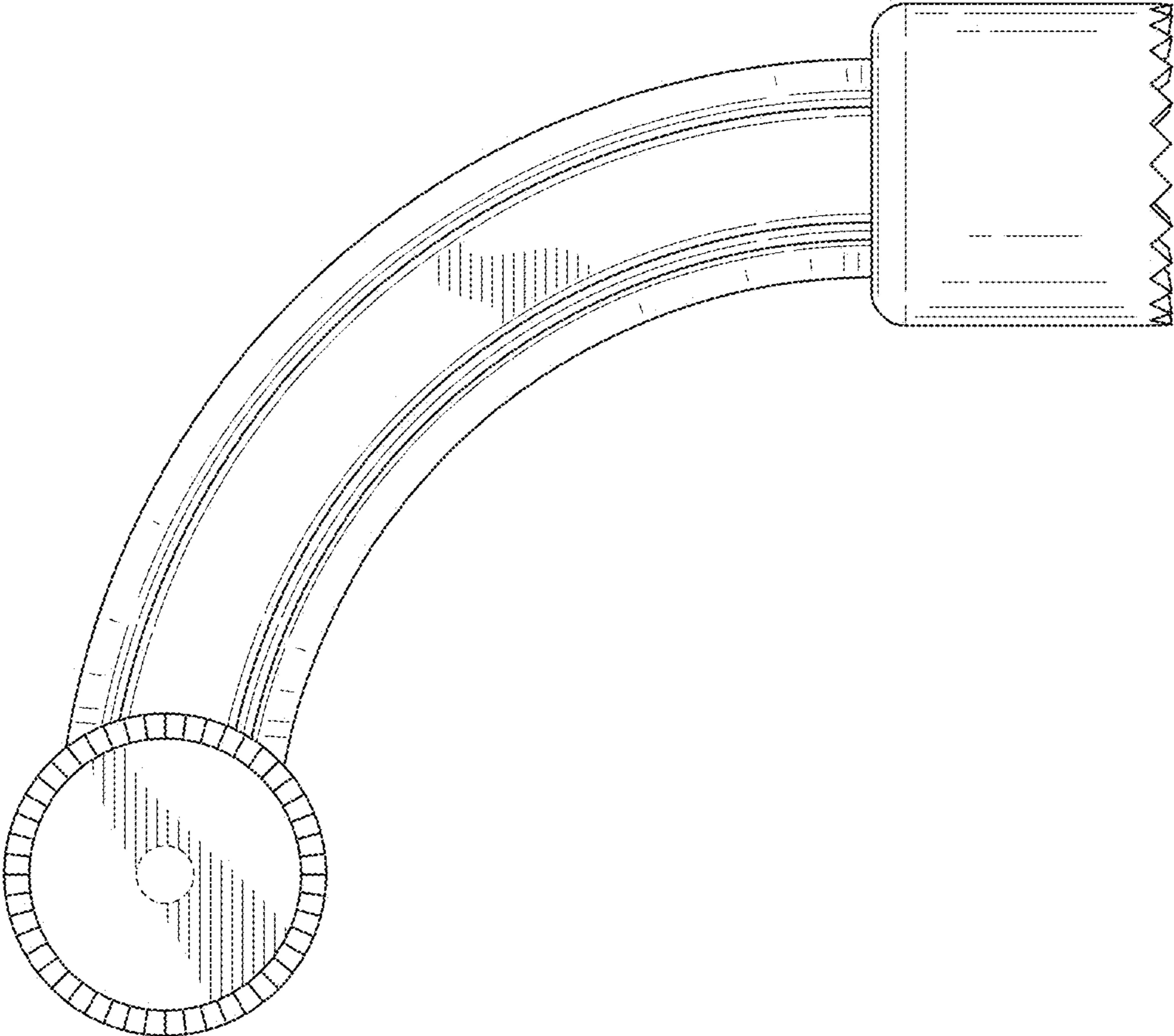


FIG. 4

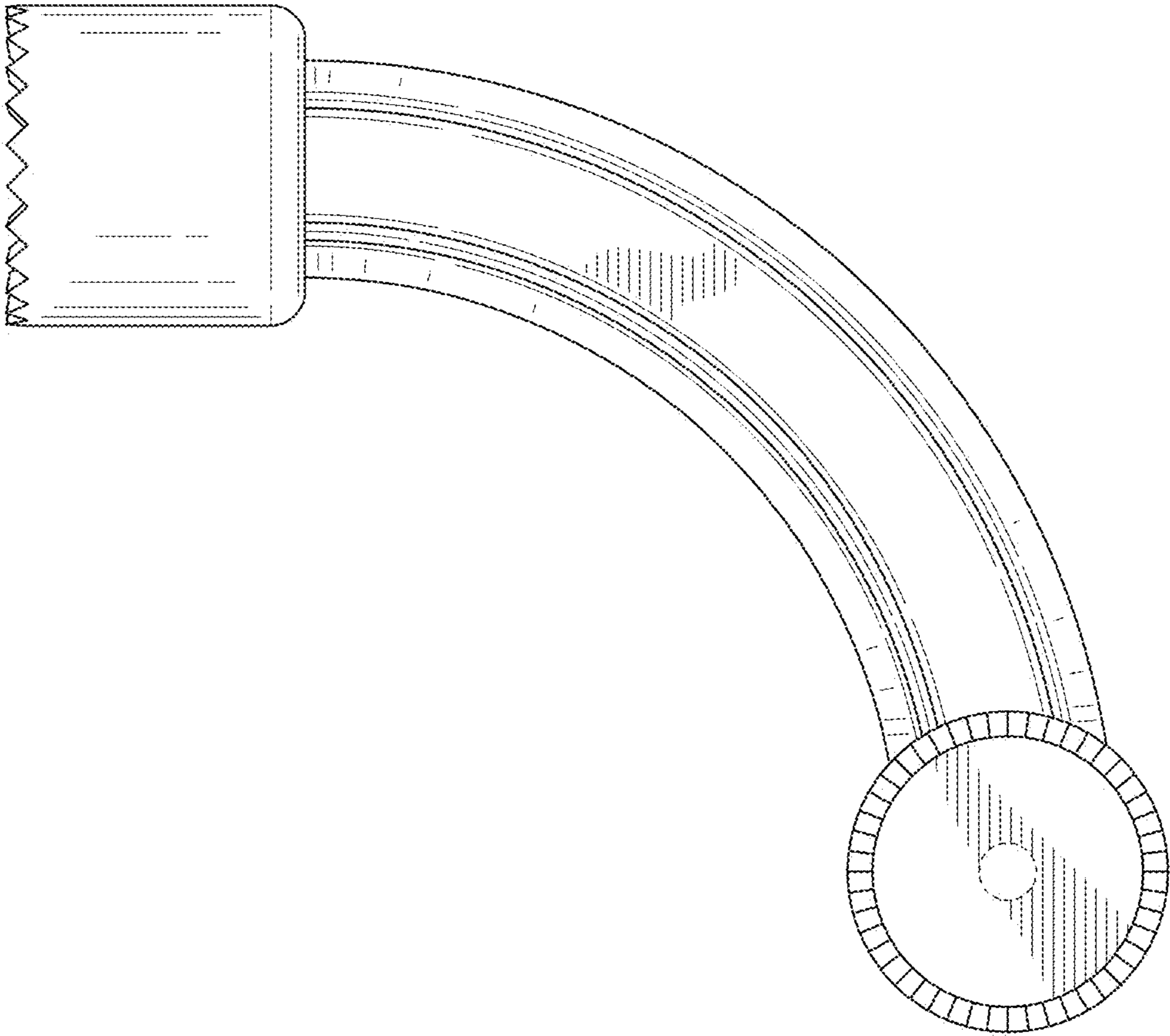


FIG. 5

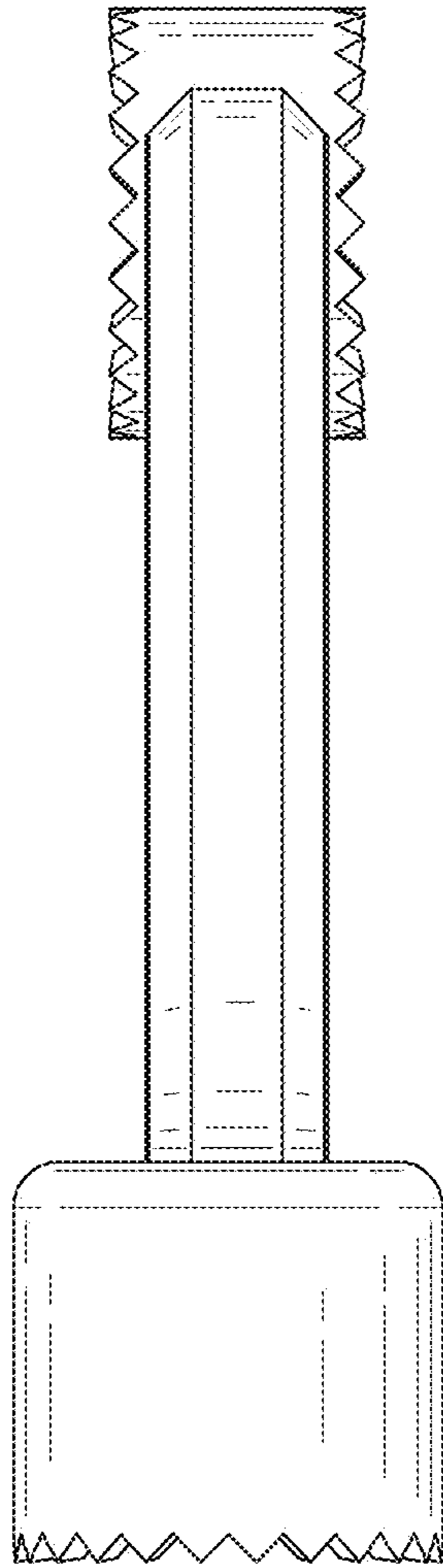


FIG. 6

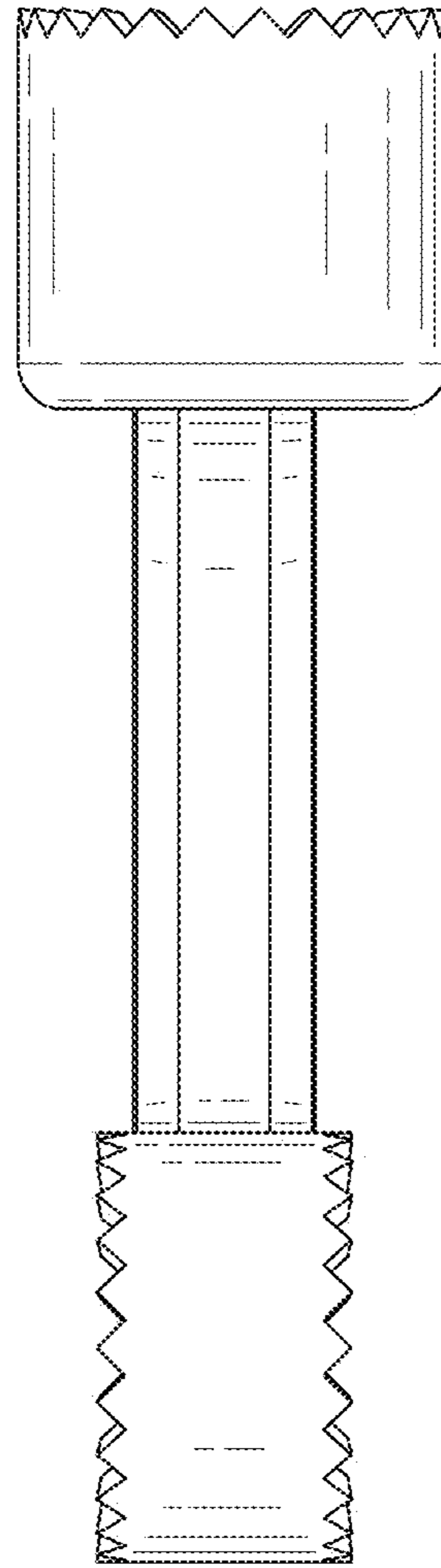


FIG. 7

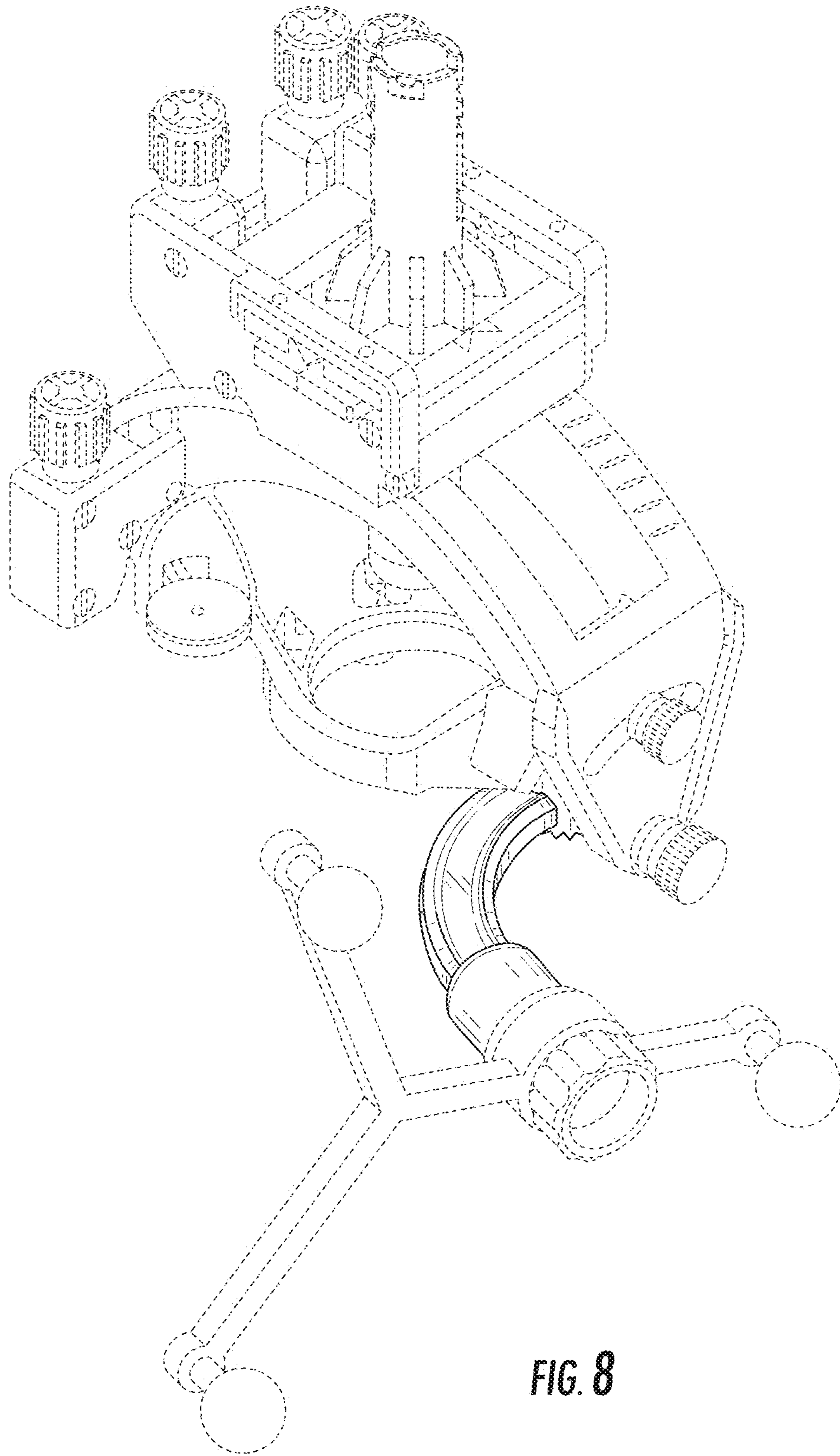


FIG. 8

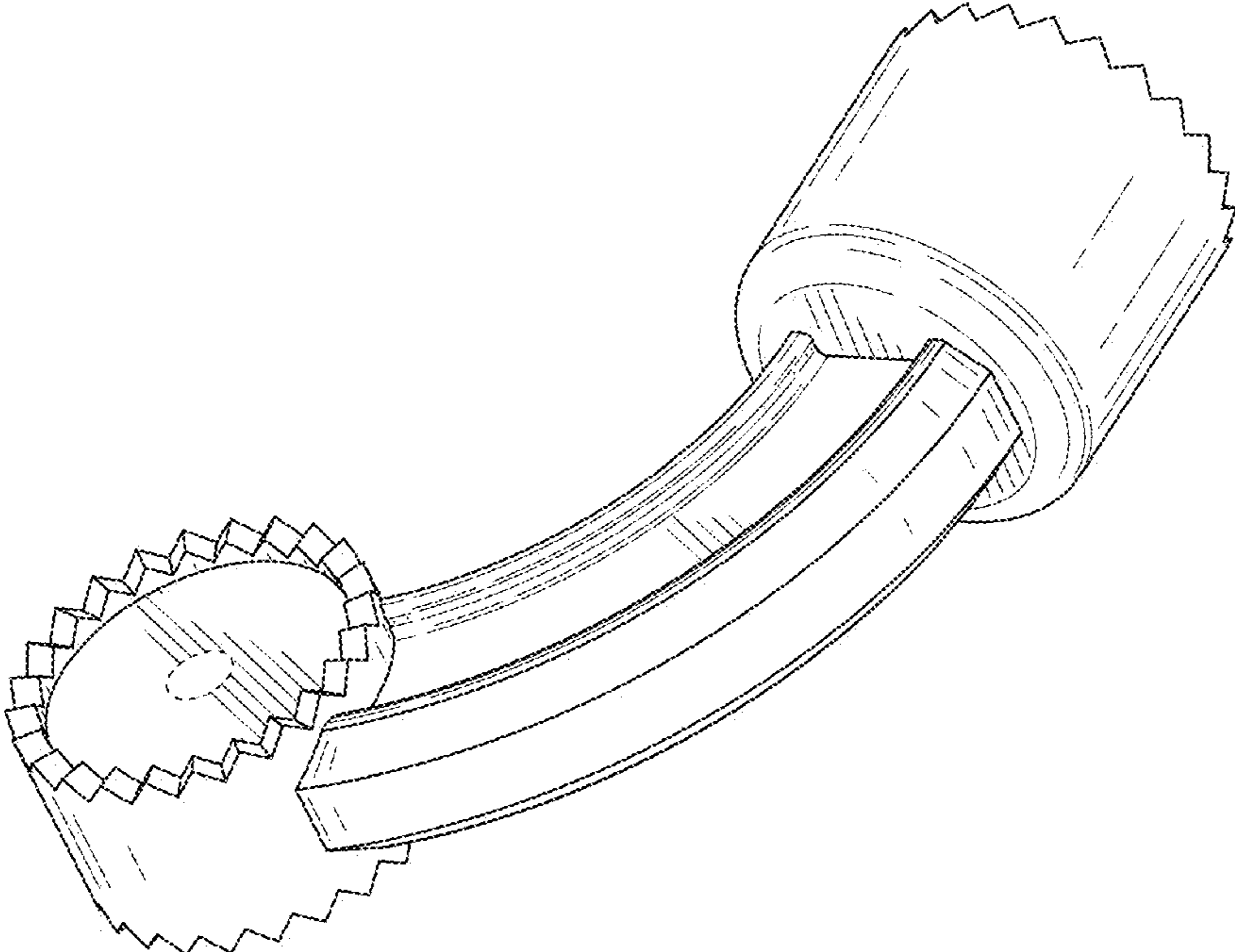


FIG. 9

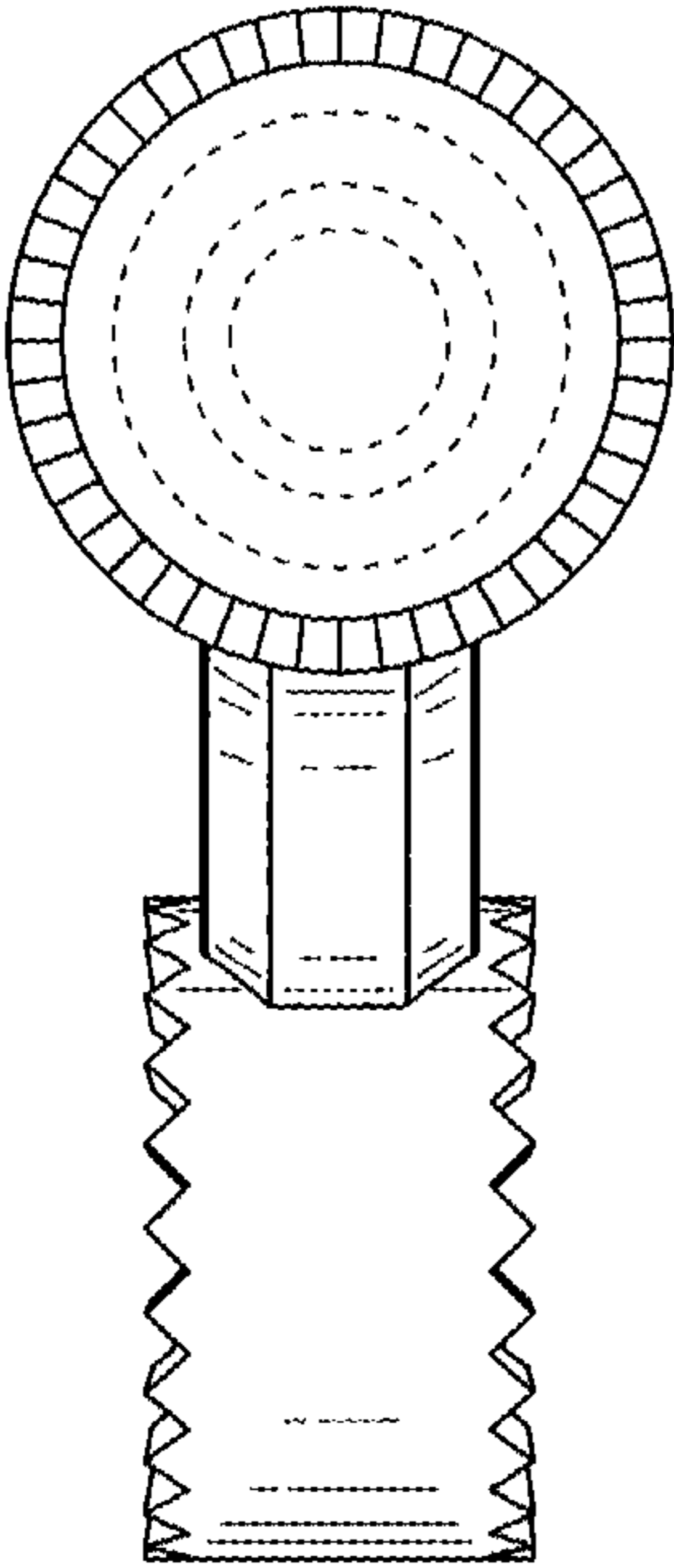


FIG. 10

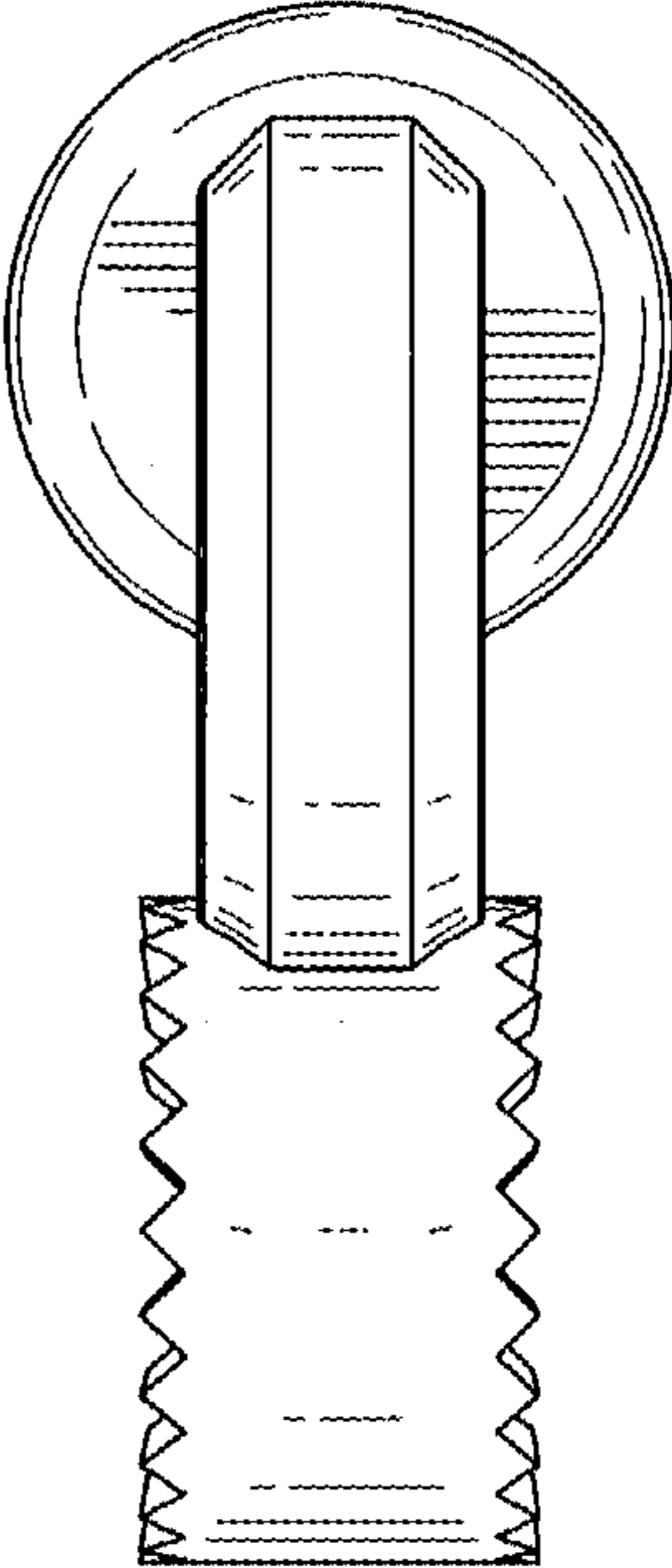


FIG. 11

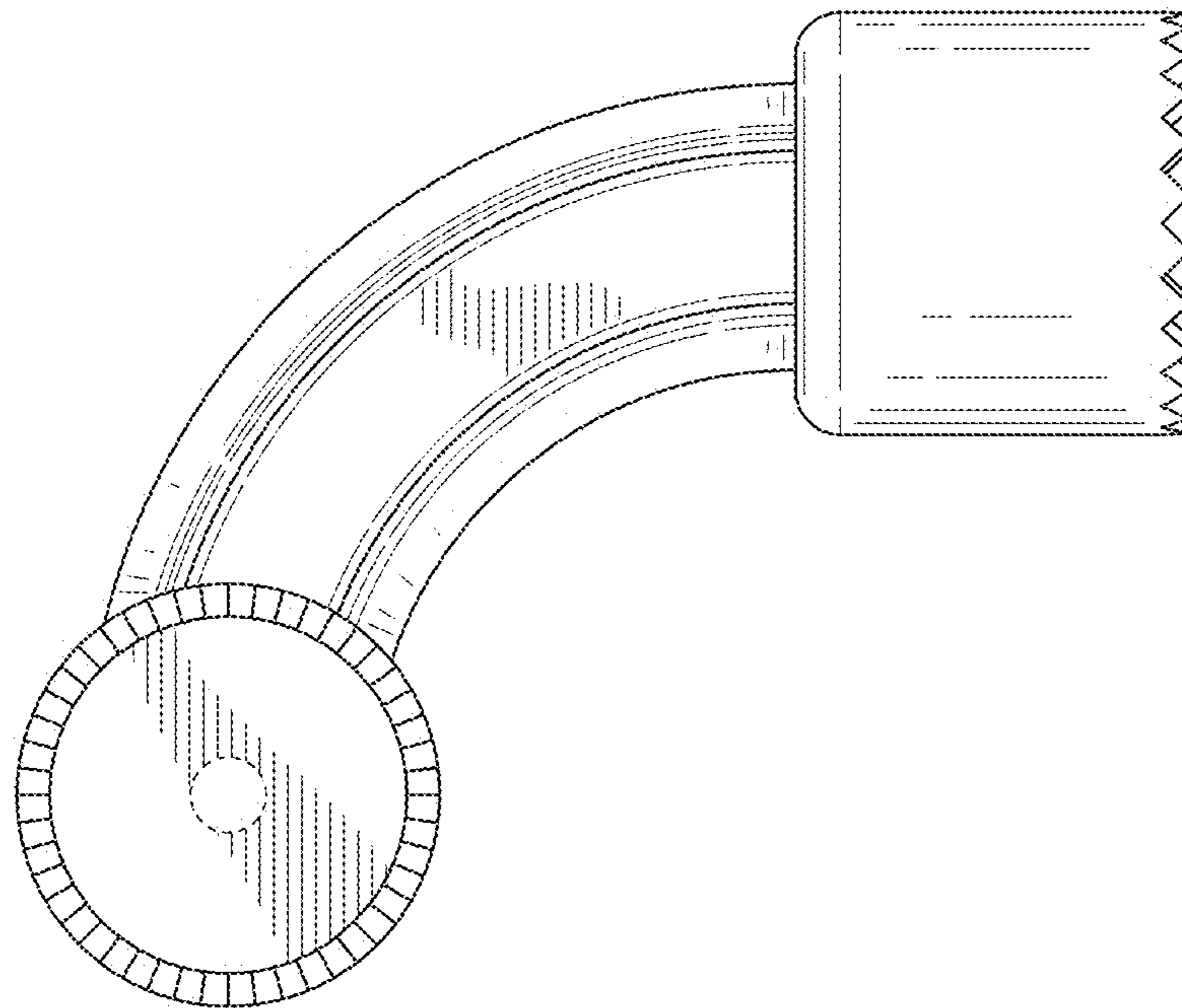


FIG. 12

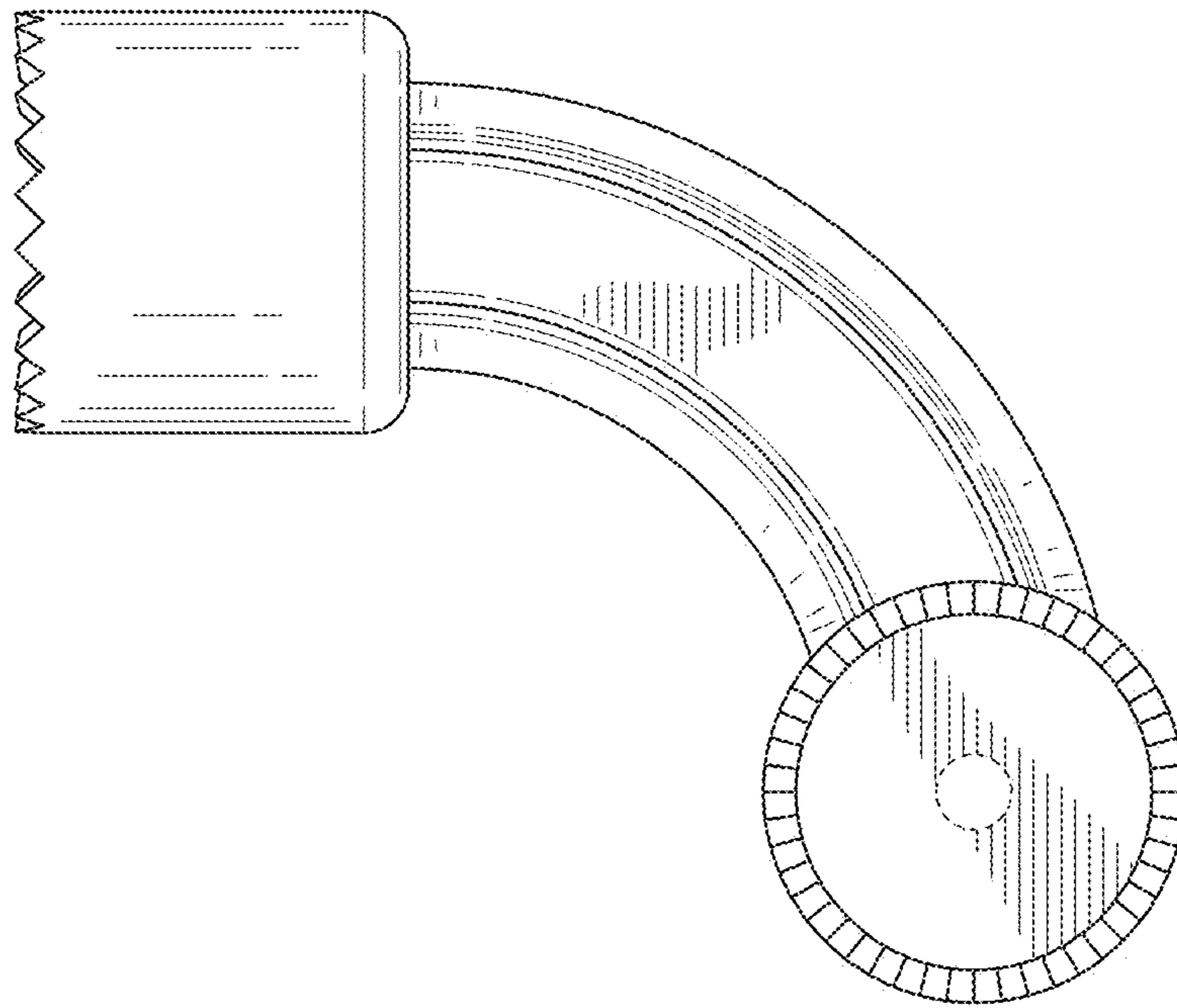


FIG. 13

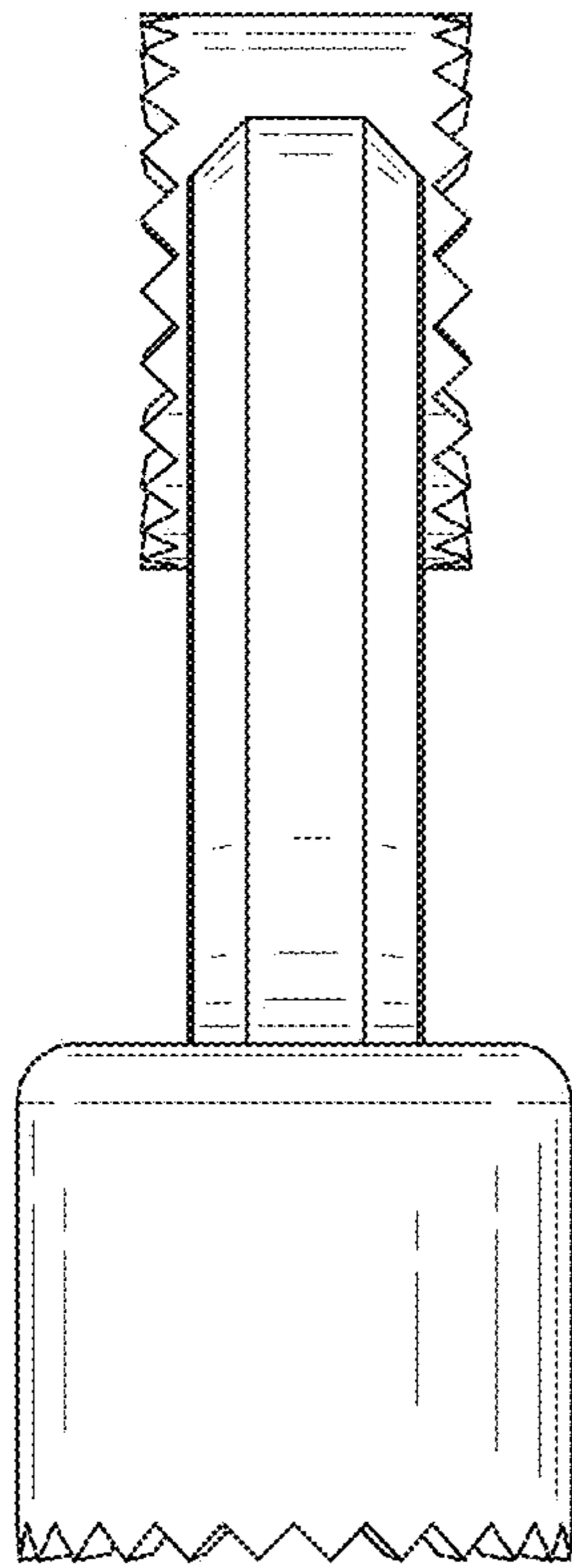


FIG. 14

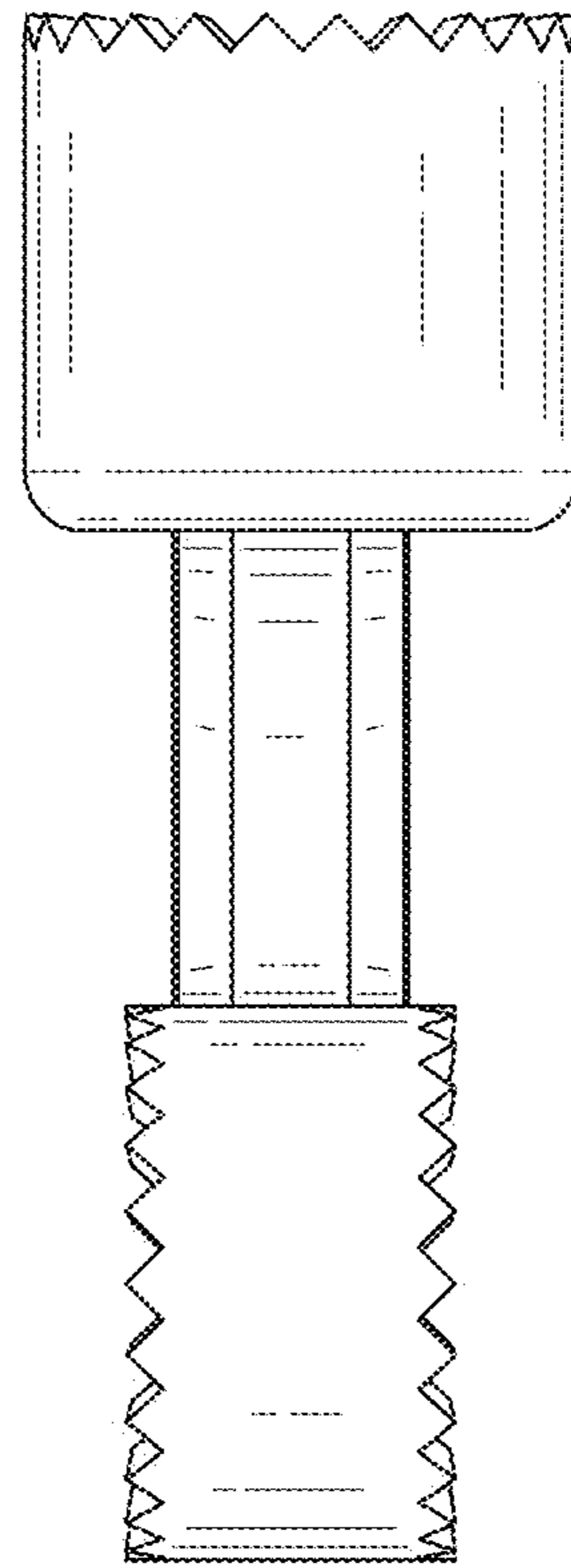


FIG. 15

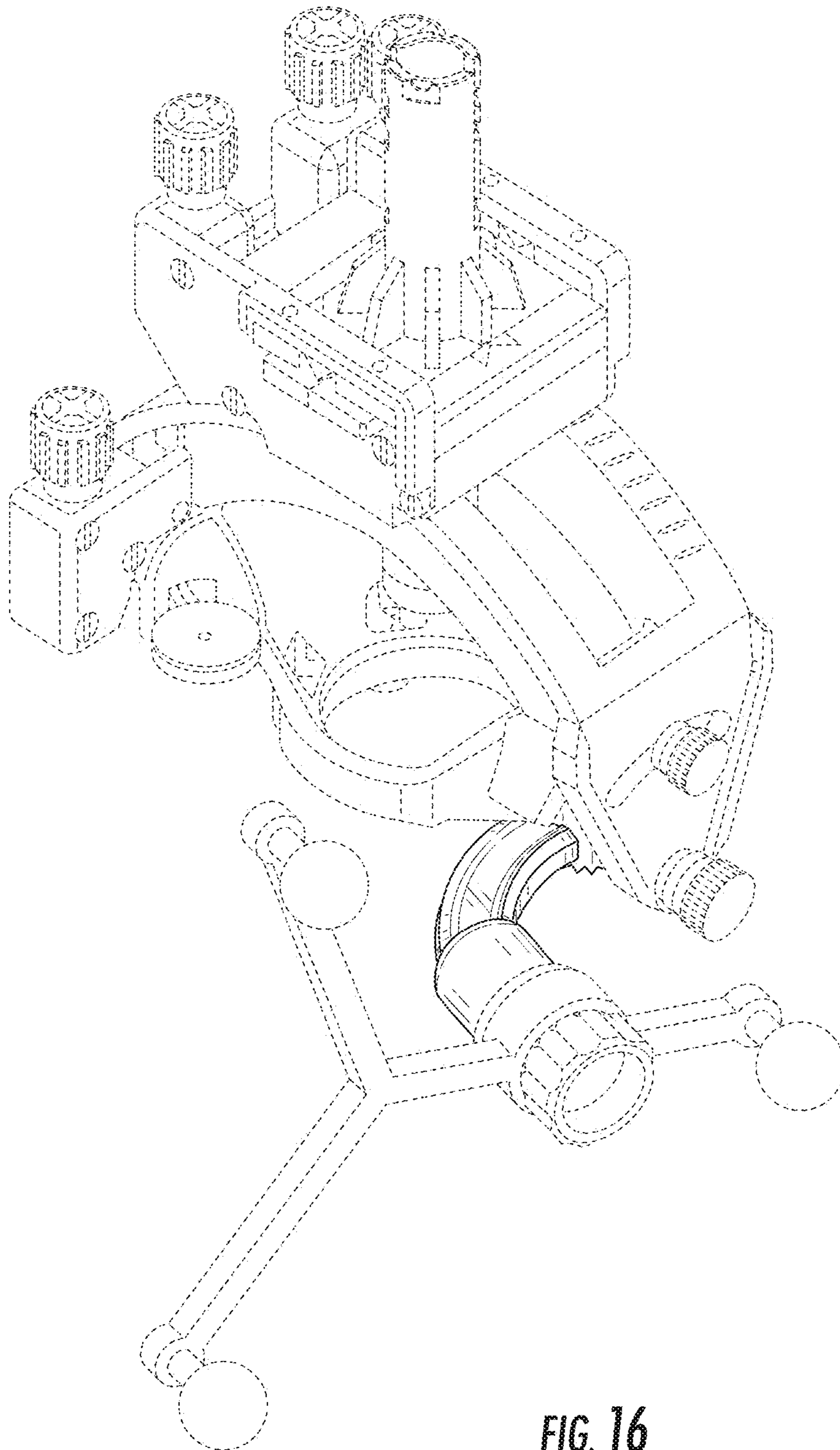


FIG. 16