

US00D829898S

(12) **United States Design Patent**
Schaer et al.

(10) **Patent No.:** **US D829,898 S**
(45) **Date of Patent:** **** Oct. 2, 2018**

(54) **SACROCOLPOPEXY MANIPULATOR**

(71) Applicants: **KARL STORZ GmbH & Co. KG**,
Tuttlingen (DE); **Kantonsspital Aarau**
AG, Aarau (CH)

(72) Inventors: **Gabriel Schaer**, Aarau (CH);
Franziska Wirth, Tuttlingen (DE)

(73) Assignees: **KARL STORZ GMBH & CO. KG**,
Tuttlingen (DE); **KANTONSSPITAL**
AARAU AG, Aarau (CH)

(**) Term: **15 Years**

(21) Appl. No.: **29/580,989**

(22) Filed: **Oct. 14, 2016**

(30) **Foreign Application Priority Data**

Apr. 14, 2016 (EM) 003069509-0003
Apr. 14, 2016 (EM) 003069509-0004

(51) **LOC (11) Cl.** **24-02**
(52) **U.S. Cl.**
USPC **D24/133**

(58) **Field of Classification Search**
USPC D24/133, 137, 138, 141, 146, 149, 187;
606/205, 119

(Continued)

(56) **References Cited**

U.S. PATENT DOCUMENTS

5,100,410 A * 3/1992 Dulebohn A61F 2/1664
206/5.1
D504,176 S * 4/2005 Vijfvinkel D24/133
(Continued)

Primary Examiner — Manpreet Matharu
Assistant Examiner — Yolanda Robinson
(74) *Attorney, Agent, or Firm* — Muncy, Geissler, Olds &
Lowe, P.C.

(57) **CLAIM**

The ornamental design for a sacrocolpopexy manipulator, as shown and described.

DESCRIPTION

FIG. 1 is a front perspective view of a sacrocolpopexy manipulator according to the present invention.

FIG. 2 is a front view of the sacrocolpopexy manipulator of FIG. 1.

FIG. 3 is a rear view of the sacrocolpopexy manipulator of FIG. 1.

FIG. 4 is a left side view of the sacrocolpopexy manipulator of FIG. 1.

FIG. 5 is a right side view of the sacrocolpopexy manipulator of FIG. 1.

FIG. 6 is a top view of the sacrocolpopexy manipulator of FIG. 1.

FIG. 7 is a bottom view of the sacrocolpopexy manipulator of FIG. 1.

FIG. 8 is a front perspective view of the sacrocolpopexy manipulator according to the present invention in a retracted position.

FIG. 9 is a front view of the sacrocolpopexy manipulator of FIG. 8.

FIG. 10 is a rear view of the sacrocolpopexy manipulator of FIG. 8.

FIG. 11 is a left side view of the sacrocolpopexy manipulator of FIG. 8.

FIG. 12 is a right side view of the sacrocolpopexy manipulator of FIG. 8.

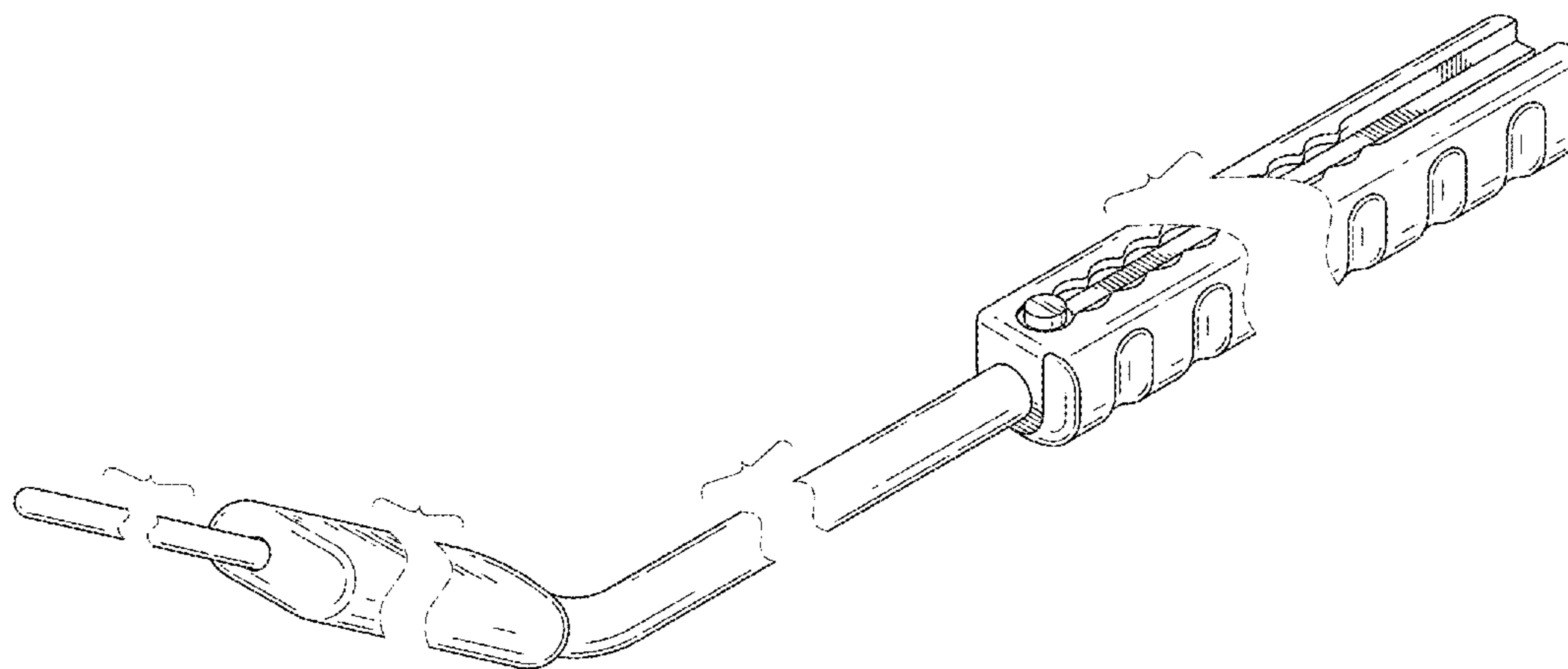
FIG. 13 is a top view of the sacrocolpopexy manipulator of FIG. 8; and,

FIG. 14 is a bottom view of the sacrocolpopexy manipulator of FIG. 8.

The sacrocolpopexy manipulator is shown with a symbolic break in its length. The appearance of any portion of the article between the break lines form no part of the claimed design.

The broken lines shown represent unclaimed subject matter and form no part of the claimed design.

(Continued)



The dashed lines illustrate environment that does not form a part of the present invention, and no claim is made to the material illustrated with dashed lines.

1 Claim, 14 Drawing Sheets

(58) Field of Classification Search

CPC A61B 17/4241; A61B 1/00066; A61B 1/00179; A61B 17/0401; A61B 17/7074; A61B 17/320068; A61B 1/0011; A61B 1/00181; A61B 17/42

See application file for complete search history.

(56) References Cited

U.S. PATENT DOCUMENTS

D583,472 S * 12/2008 Koh D24/143
 D585,989 S * 2/2009 Leroy D24/146
 D605,288 S * 12/2009 Brostoff D24/133

D718,441 S * 11/2014 Carus D24/133
 D724,211 S * 3/2015 Peschke D24/149
 D728,802 S * 5/2015 Matsumura D24/187
 D748,784 S * 2/2016 Weitkamp D24/133
 9,445,806 B2 * 9/2016 Hart A61B 17/0401
 9,675,374 B2 * 6/2017 Stulen A61B 17/32006
 D791,318 S * 7/2017 Jutila D24/141
 D798,351 S * 9/2017 Whited D15/144
 D798,446 S * 9/2017 Nino D24/133
 9,763,563 B2 * 9/2017 Hoeg A61B 1/00181
 2014/0052144 A1 * 2/2014 Singh A61B 17/42
 606/119
 2015/0012009 A1 * 1/2015 Singh A61B 17/4241
 606/119
 2016/0081717 A1 * 3/2016 Singh A61B 17/4241
 606/119
 2016/0278810 A1 * 9/2016 Richey A61B 17/4241
 2016/0324570 A1 * 11/2016 Ehsani-Nia A61B 18/1477
 2016/0325077 A1 * 11/2016 Yamanaka A61B 1/0011
 2017/0135727 A1 * 5/2017 Singh A61B 17/4241
 2017/0202578 A1 * 7/2017 Richey A61B 17/4241
 2017/0325844 A1 * 11/2017 Prior A61B 1/0676
 2017/0340368 A1 * 11/2017 Anderson A61B 17/7074

* cited by examiner

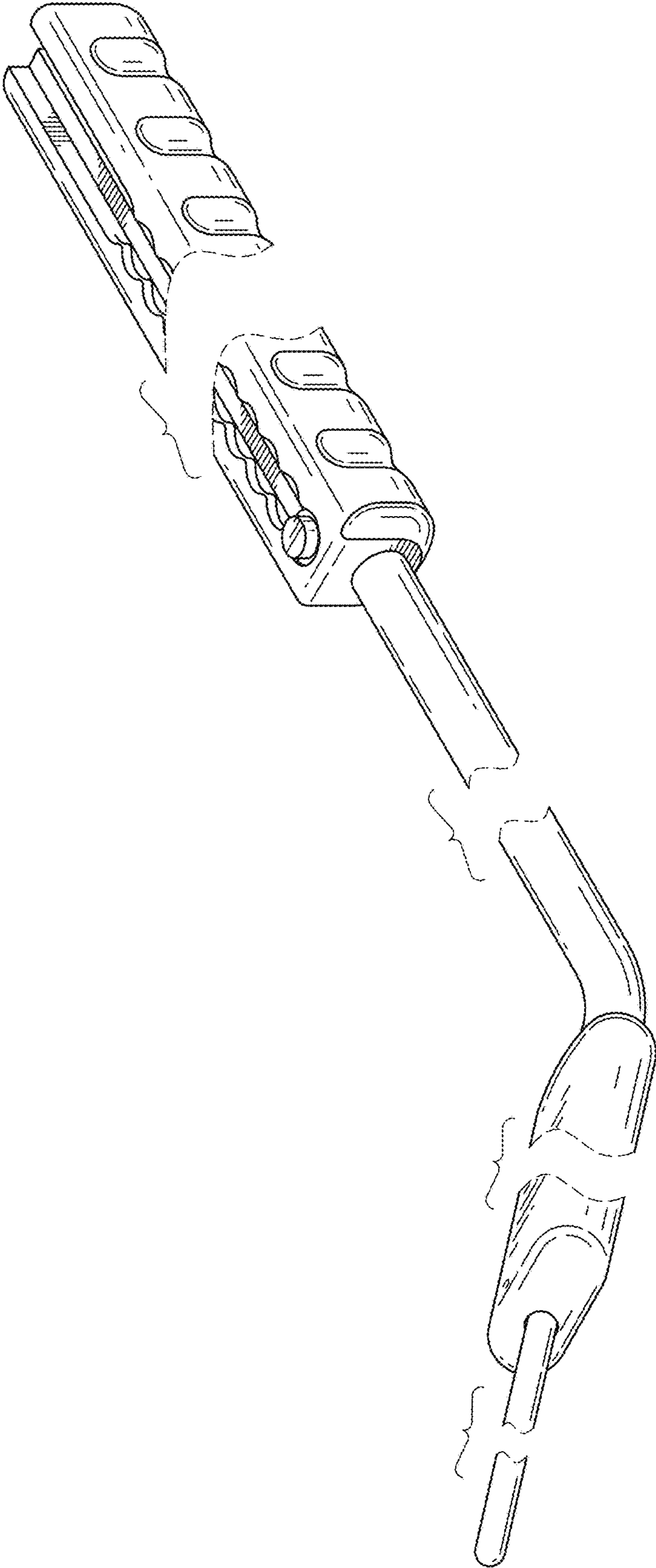


FIG.1

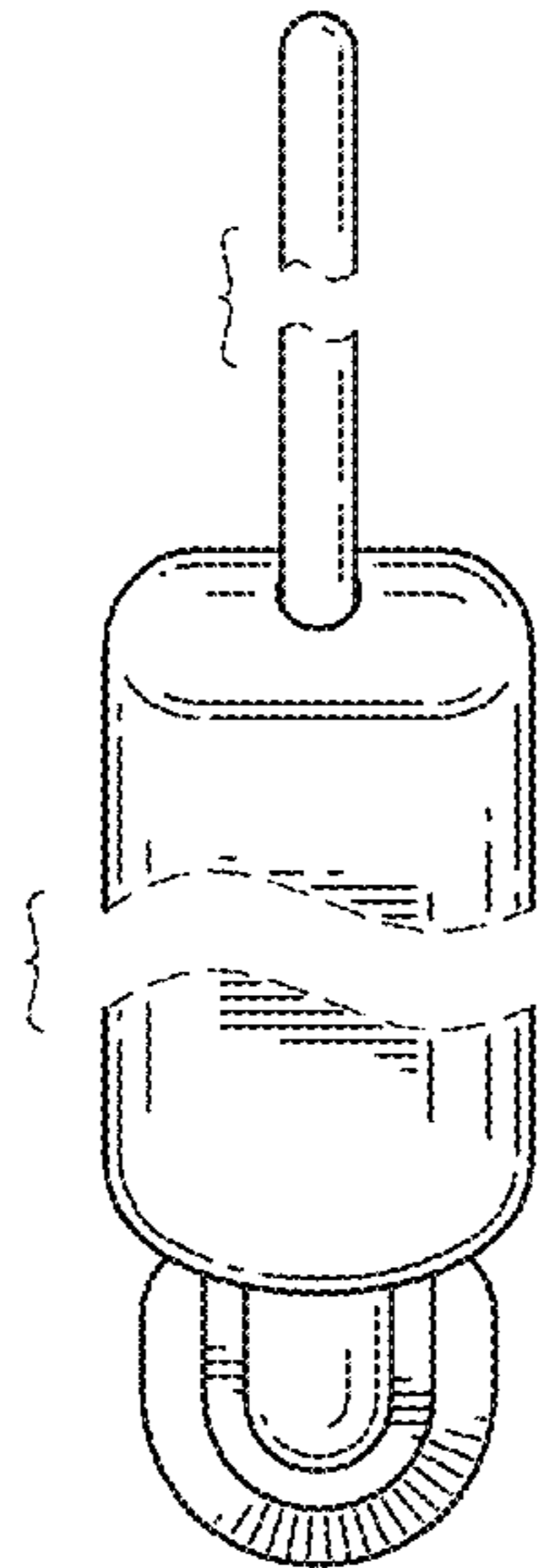


FIG.2

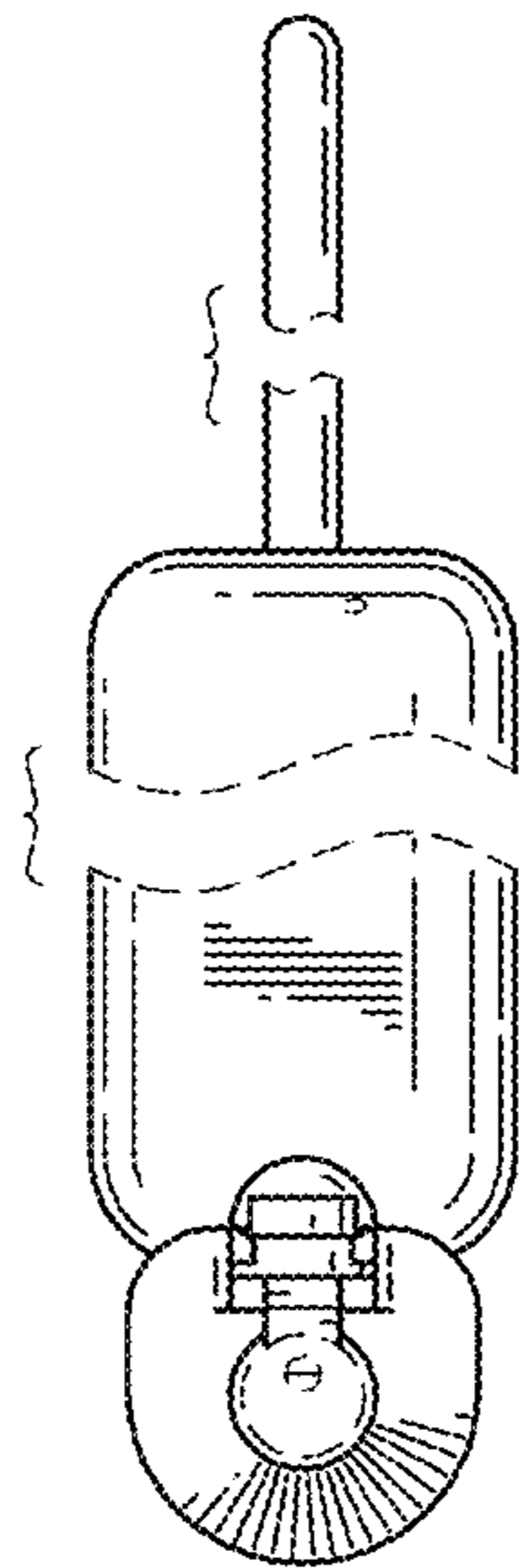


FIG.3

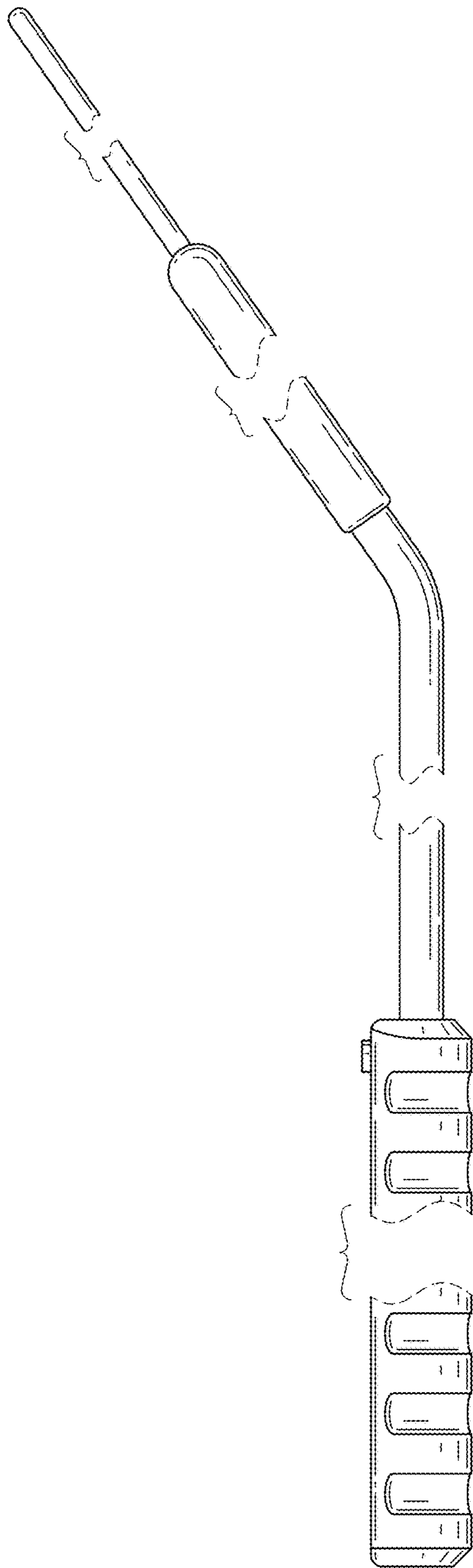


FIG.4

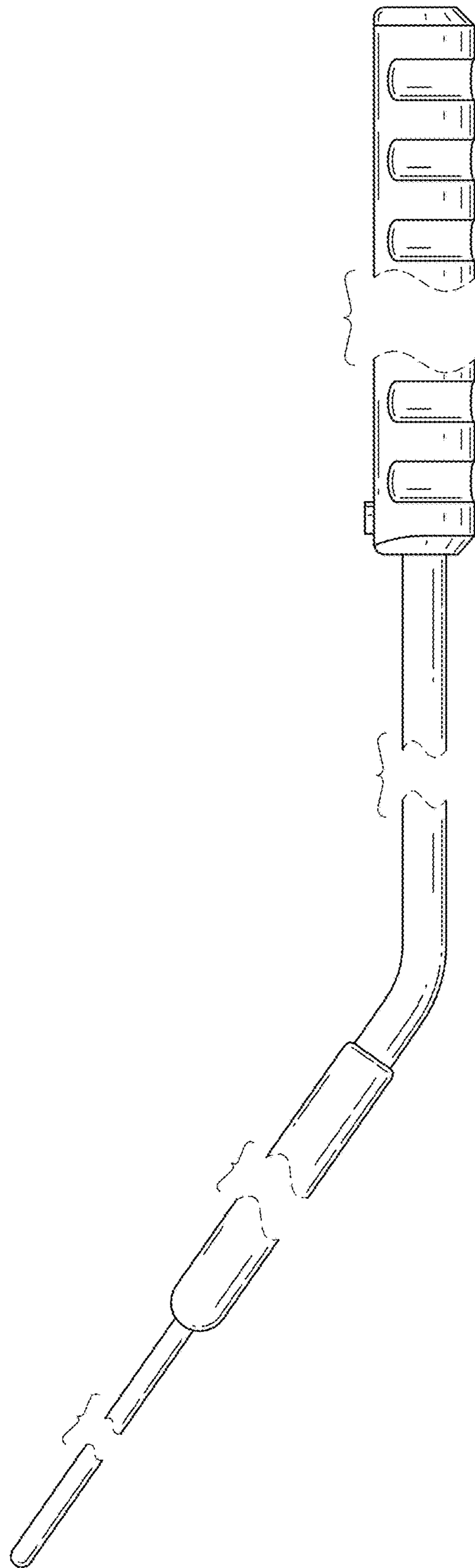


FIG.5

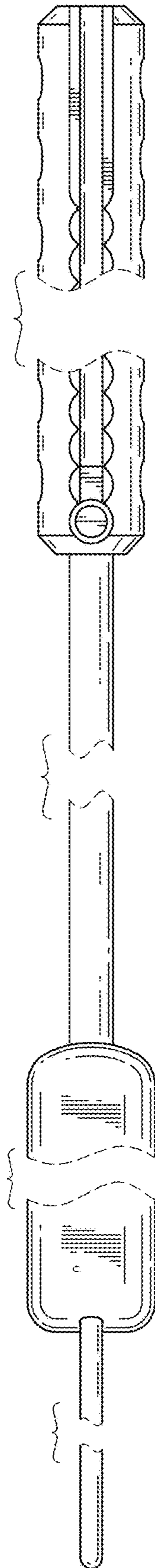


FIG.6

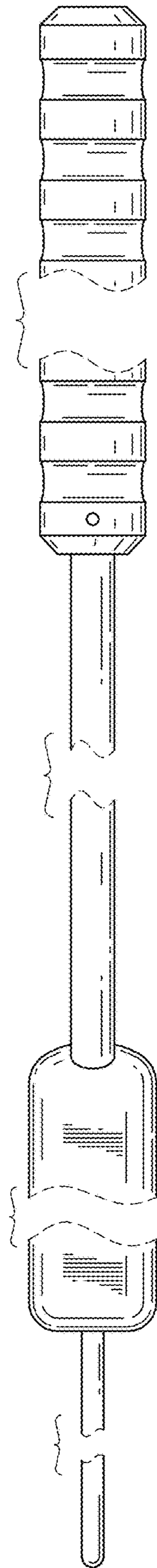


FIG.7

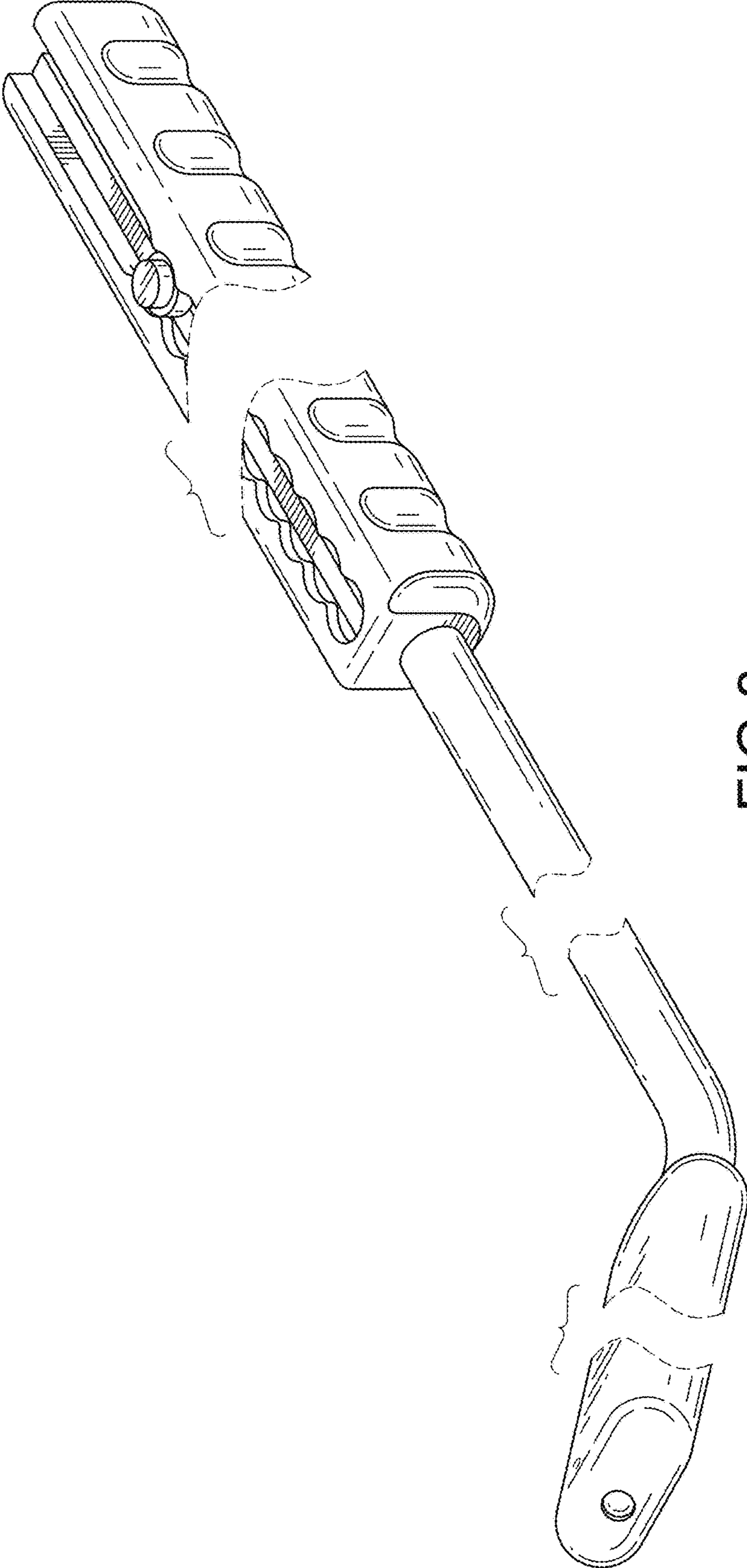


FIG.8

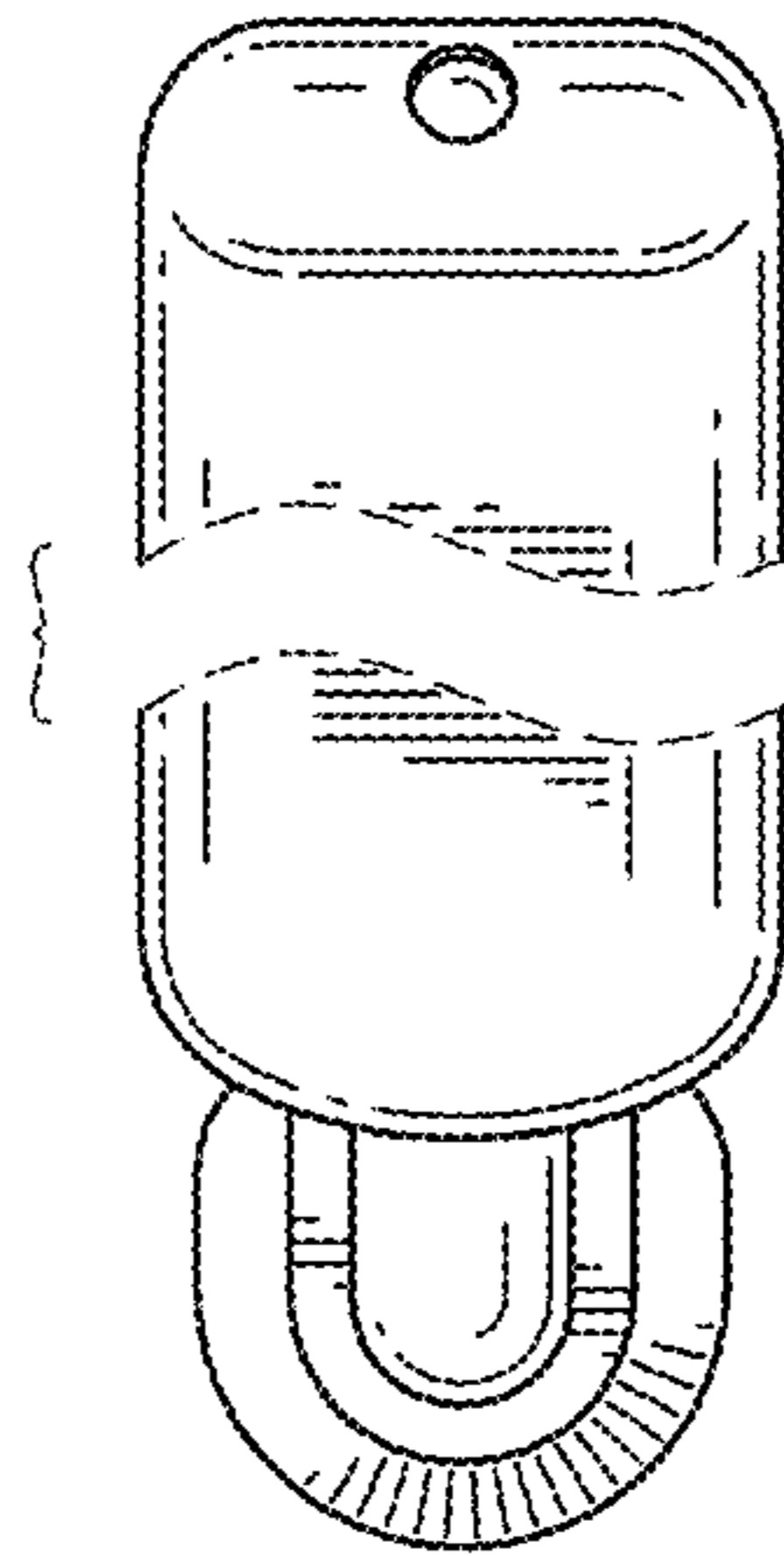


FIG.9

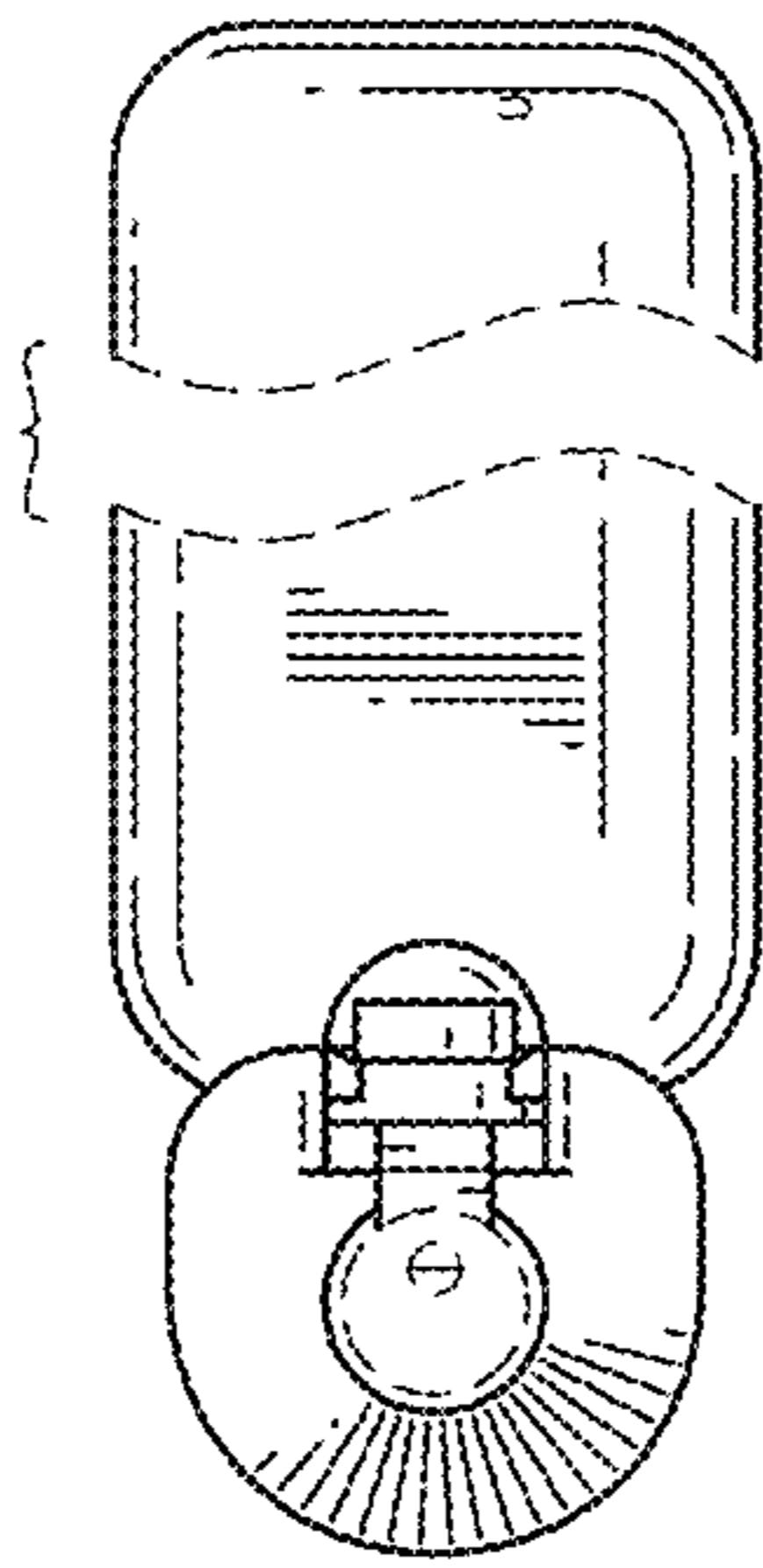


FIG.10

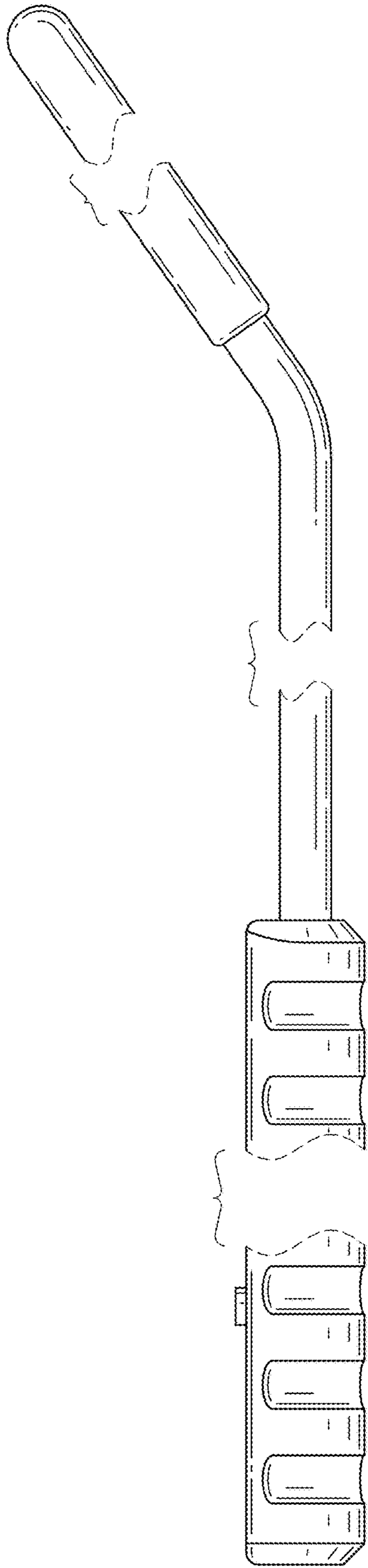


FIG.11

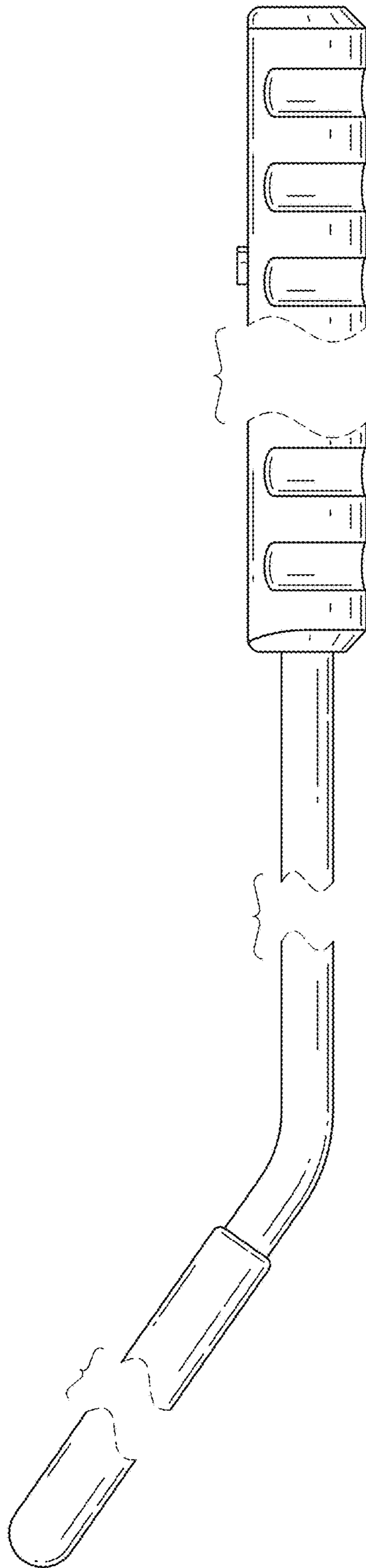


FIG.12

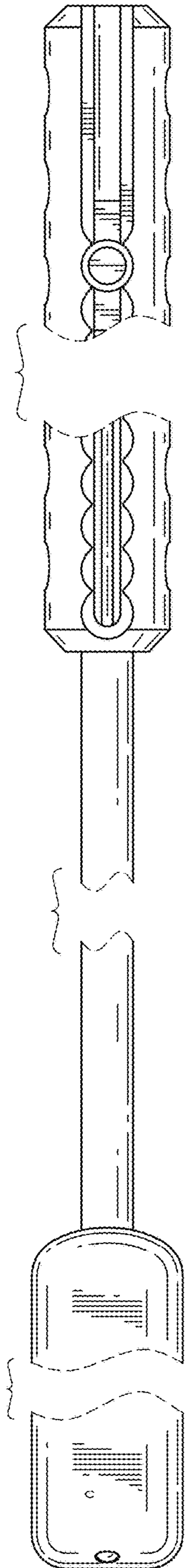


FIG.13

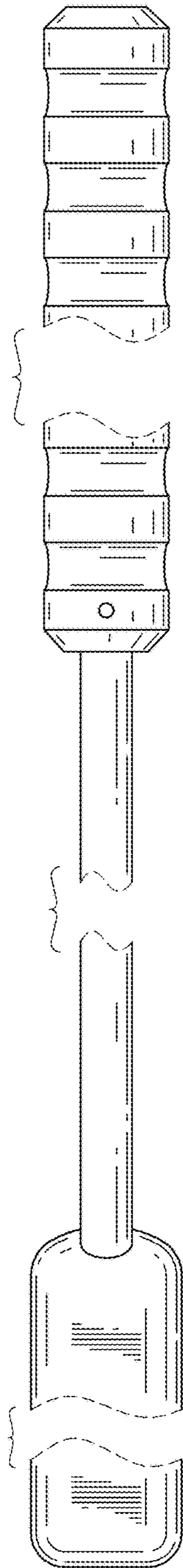


FIG.14