



US00D829897S

(12) **United States Design Patent** (10) **Patent No.:** **US D829,897 S**
Iida (45) **Date of Patent:** **** Oct. 2, 2018**

(54) **MEDICAL CONNECTOR**
(71) Applicant: **ASAHI INTECC CO., LTD.**,
Nagoya-shi, Aichi (JP)
(72) Inventor: **Keiji Iida**, Nagoya (JP)
(73) Assignee: **ASAHI INTECC CO., LTD.**,
Nagoya-shi (JP)

7,600,530 B2 * 10/2009 Truitt A61M 39/02
137/512
D673,673 S * 1/2013 Wang D24/129
D691,717 S * 10/2013 McLean D24/110.6
D712,027 S * 8/2014 Zerwic D24/129
D720,850 S * 1/2015 Hsia D24/130
D734,456 S * 7/2015 Cromett D24/129
9,259,666 B1 * 2/2016 Chavez-Gil B01D 3/40

(Continued)

(**) Term: **15 Years**
(21) Appl. No.: **29/606,265**
(22) Filed: **Jun. 2, 2017**

FOREIGN PATENT DOCUMENTS

JP 2005-261759 A 9/2005
JP D1468799 9/2013
JP D1480707 9/2013

(30) **Foreign Application Priority Data**

Mar. 22, 2017 (JP) 2017-005746

(51) **LOC (11) Cl.** **24-01**
(52) **U.S. Cl.**
USPC **D24/129**
(58) **Field of Classification Search**
USPC D24/155, 129, 130
CPC A61M 1/00
See application file for complete search history.

OTHER PUBLICATIONS

Sep. 6, 2017 Office Action issued in JP Design App. No. 2017-005746.

(Continued)

Primary Examiner — Charles D Hanson
(74) *Attorney, Agent, or Firm* — Oliff PLC

(56) **References Cited**

U.S. PATENT DOCUMENTS

4,677,143 A * 6/1987 Laurin A01N 25/10
424/618
4,946,448 A * 8/1990 Richmond A61M 39/24
137/493.9
5,195,980 A 3/1993 Catlin
5,676,346 A * 10/1997 Leinsing A61M 39/26
251/149.1
6,117,114 A * 9/2000 Paradis A61M 39/045
604/246
D492,030 S * 6/2004 Rani D24/129
D506,828 S * 6/2005 Layne D24/129
7,160,272 B1 * 1/2007 Eyal A61M 39/02
604/246

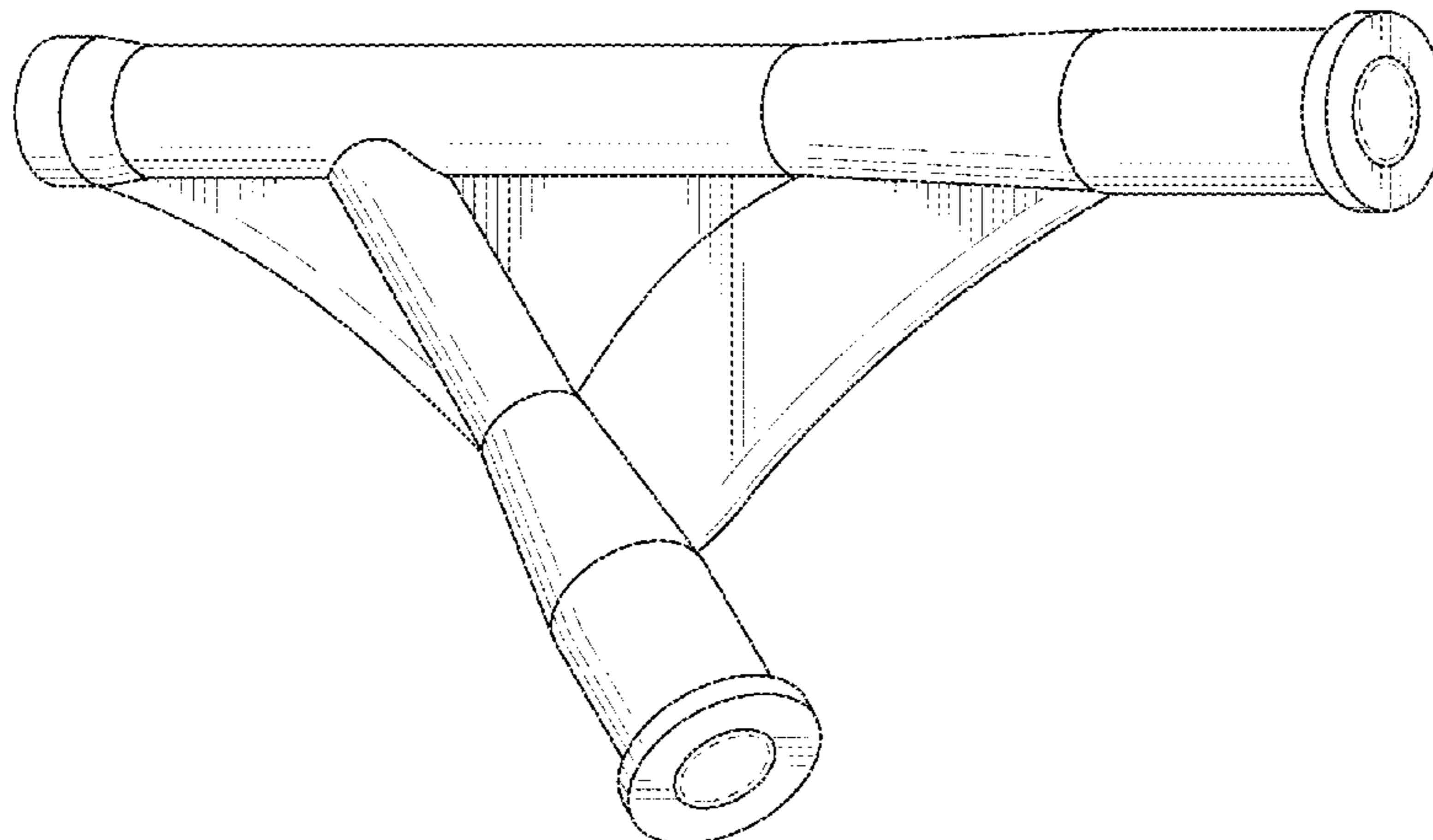
(57) **CLAIM**

The ornamental design for a medical connector, as shown and described.

DESCRIPTION

FIG. 1 is a perspective view of a medical connector;
FIG. 2 is a front view thereof, the rear view thereof (not included) being a mirror image thereof;
FIG. 3 is a top view thereof;
FIG. 4 is a right-side view thereof;
FIG. 5 is a left-side view thereof; and,
FIG. 6 is a bottom view thereof.
A rear view of the medical connector mirrors the front view. The broken lines depict unclaimed portions of the medical connector and form no part of the claimed design.

1 Claim, 4 Drawing Sheets



(56)

References Cited

U.S. PATENT DOCUMENTS

9,352,117 B2 * 5/2016 O'Day A61M 25/0015
9,675,735 B2 * 6/2017 Eddy A61M 1/285
D793,551 S * 8/2017 Nelson D24/129
D810,932 S * 2/2018 Coffman D24/130
9,980,818 B2 * 5/2018 Chau A61F 2/243

OTHER PUBLICATIONS

Nov. 9, 2017 Office Action issued in Korean Patent Application No. 30/2017-0020733.

May 10, 2017 Office Action issued in European Patent Application No. 003874841.

* cited by examiner

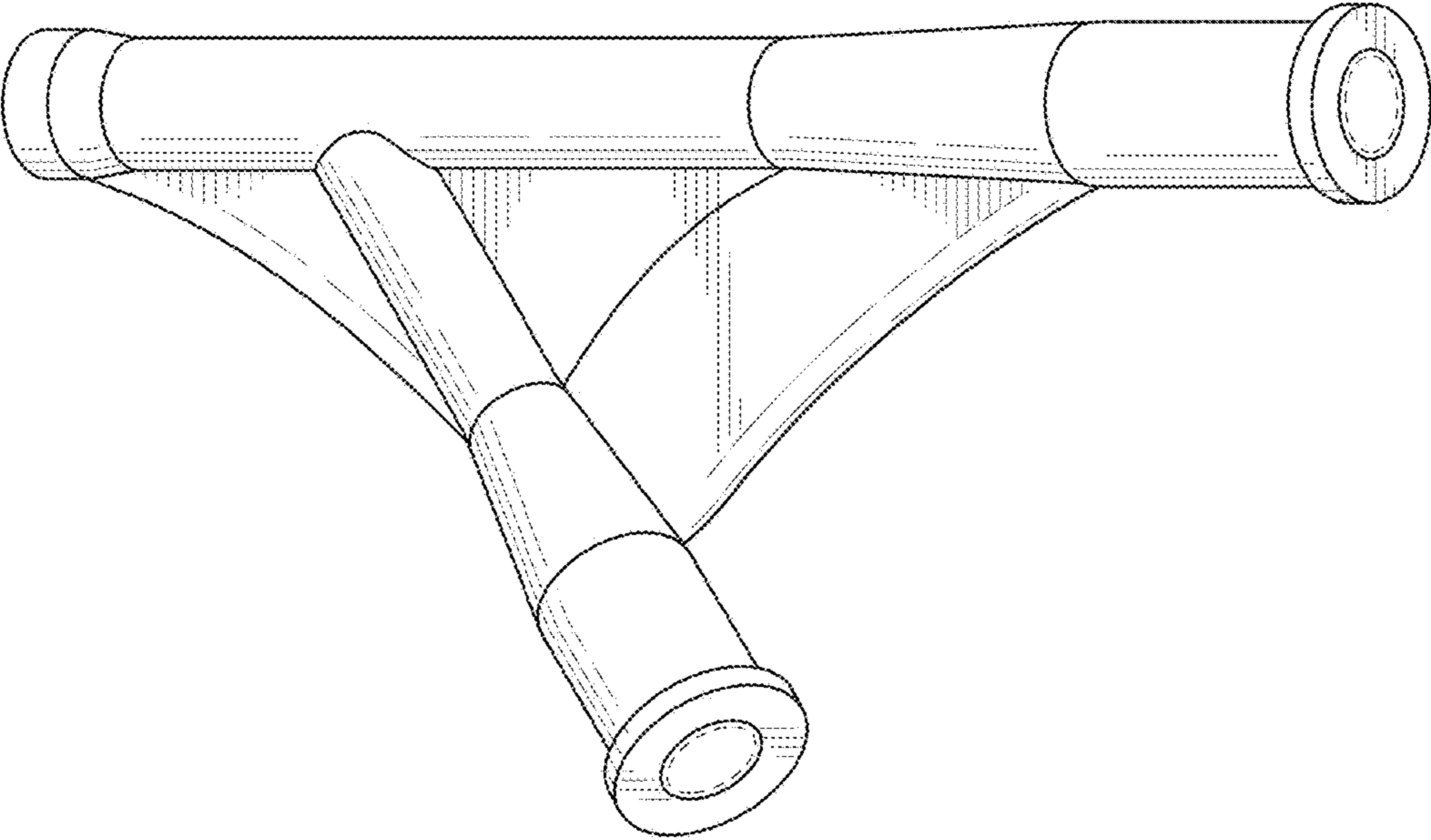


FIG. 1

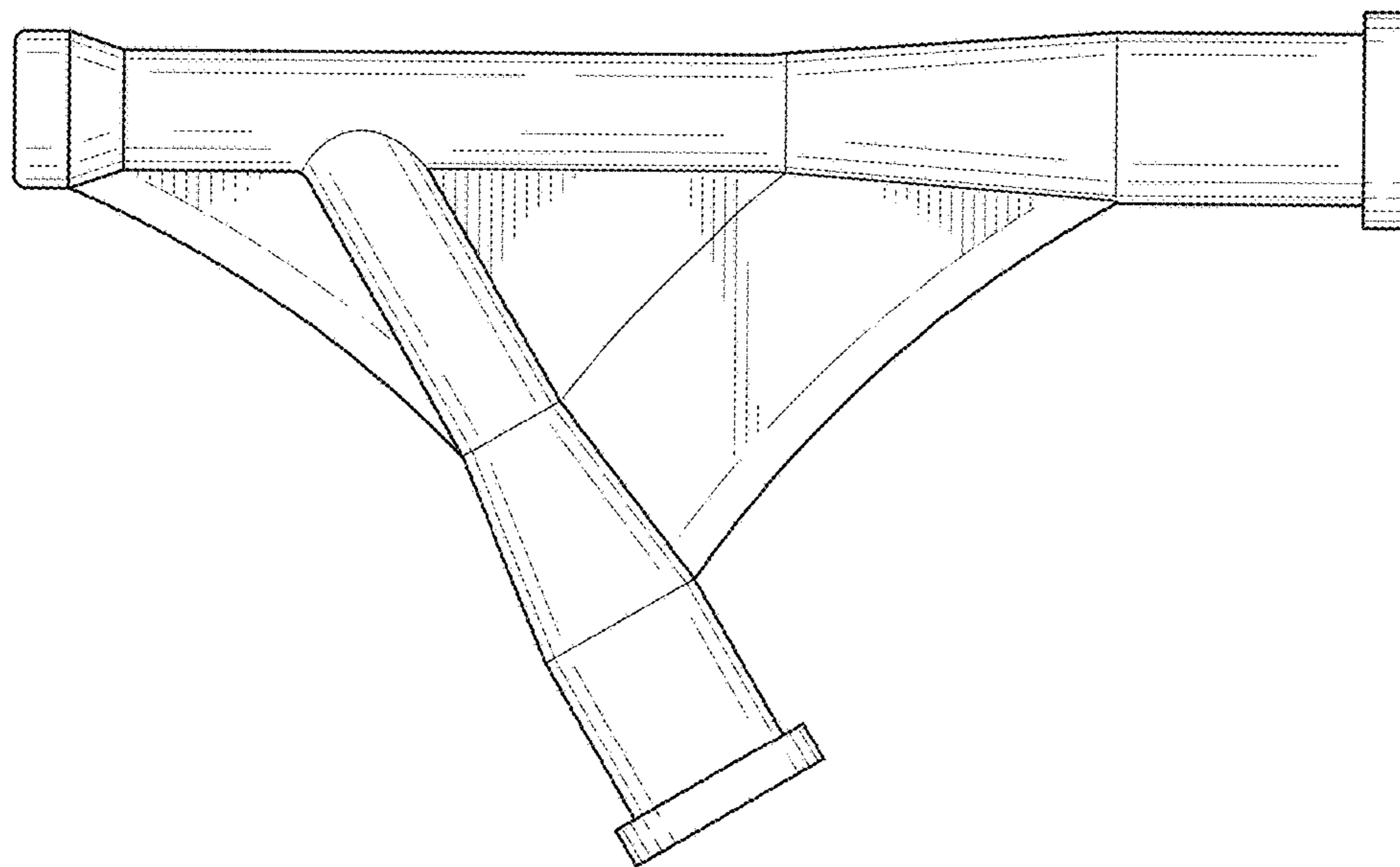


FIG. 2

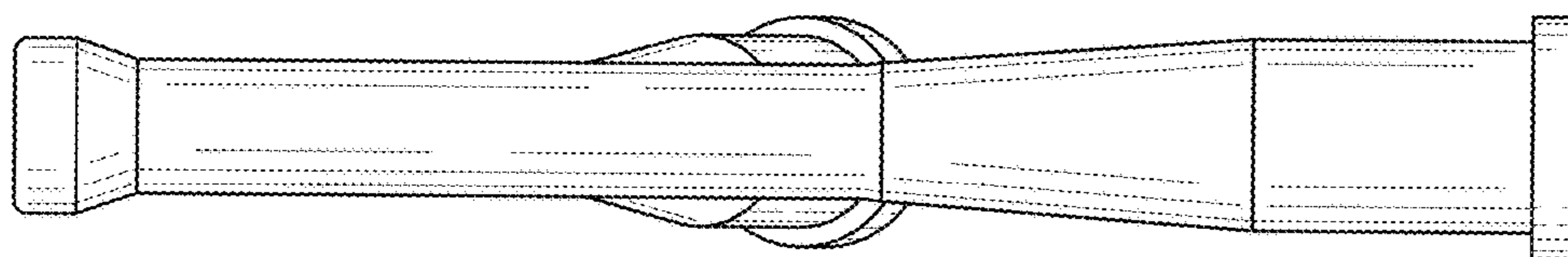


FIG. 3

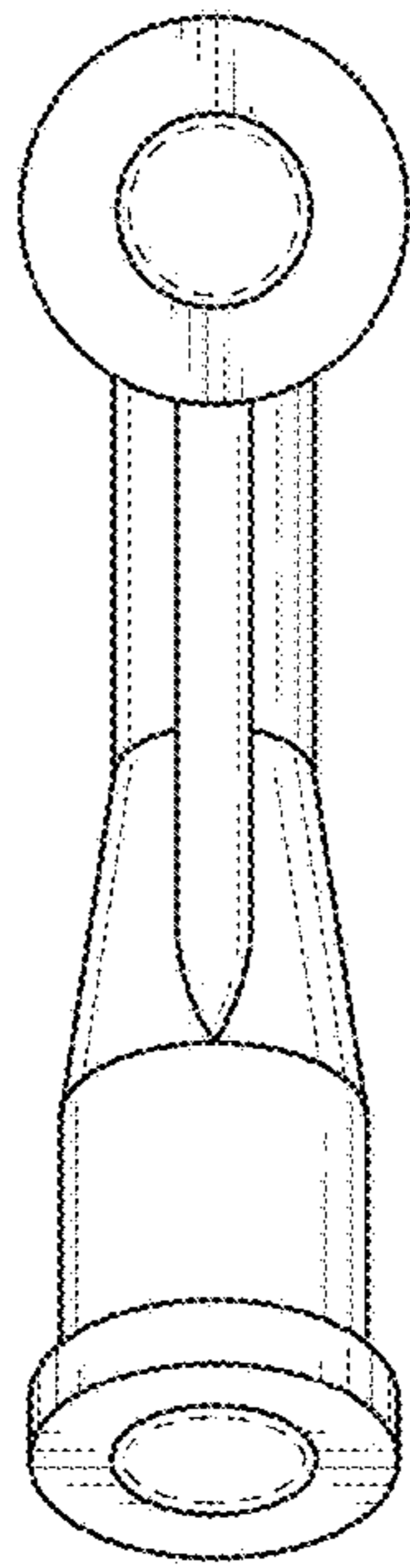


FIG. 4

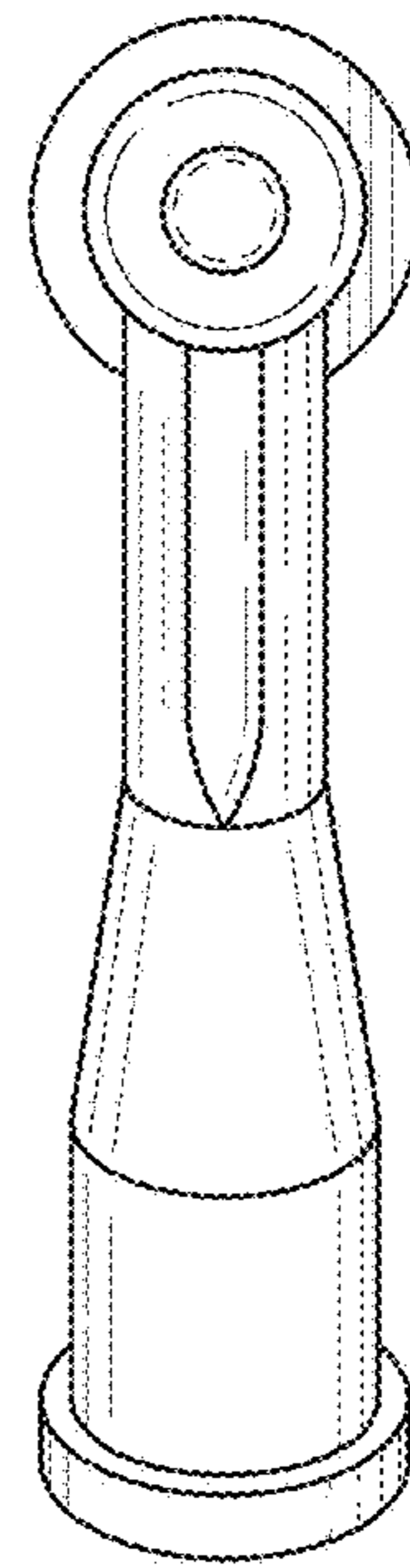


FIG. 5

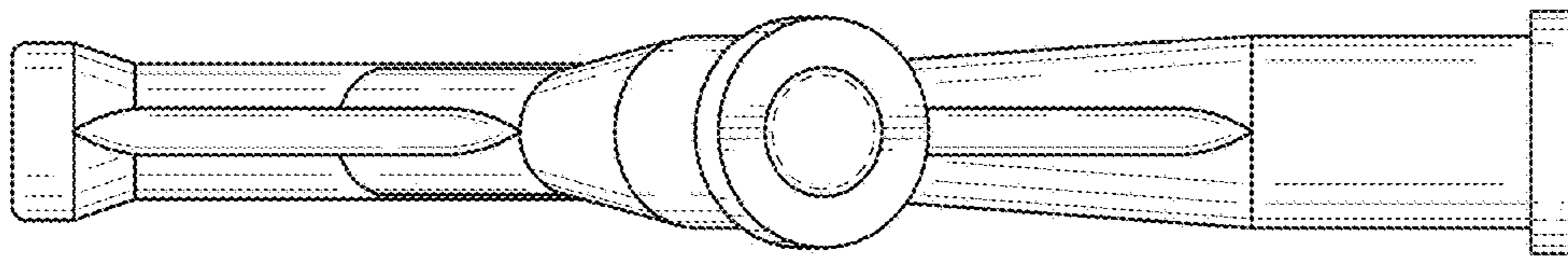


FIG. 6