



US00D829896S

(12) **United States Design Patent** (10) **Patent No.:** **US D829,896 S**  
**Py** (45) **Date of Patent:** **\*\* Oct. 2, 2018**

(54) **SEPTUM**  
(71) Applicant: **Dr. Py Institute LLC**, New Milford, CT (US)  
(72) Inventor: **Daniel Py**, Larchmont, NY (US)  
(73) Assignee: **DR. PY INSTITUTE LLC**, New Milford, CT (US)

5,632,396 A 5/1997 Burns  
5,656,035 A 8/1997 Avoy  
5,673,535 A 10/1997 Jagger  
5,679,399 A 10/1997 Shlenker et al.  
5,931,828 A 8/1999 Durkee  
6,145,688 A 11/2000 Smith  
6,387,078 B1 5/2002 Gillespie, III  
6,478,775 B1 11/2002 Galt et al.  
6,604,561 B2 8/2003 Py  
6,684,916 B2 2/2004 Py

(Continued)

(\*\*) Term: **15 Years**

FOREIGN PATENT DOCUMENTS

(21) Appl. No.: **29/539,571**

WO 2011006131 A1 1/2011  
WO 2011137413 11/2011

(22) Filed: **Sep. 15, 2015**

(Continued)

(51) **LOC (11) Cl.** ..... **24-02**

(52) **U.S. Cl.**  
USPC ..... **D24/129**

*Primary Examiner* — David Muller

(58) **Field of Classification Search**  
USPC ..... D24/127–131, 112–114, 133, 186;  
606/181, 185; 604/264, 523–528, 272,  
604/187, 158, 164.01–164.11, 181, 184,  
604/227; 600/101, 139, 143;  
128/200.24, 207.14, 207.15  
CPC ..... A61M 39/02; A61M 39/045; A61M  
2039/027; A61M 2039/0261; A61M  
2039/0273

(74) *Attorney, Agent, or Firm* — **McCarter & English, LLP**

See application file for complete search history.

(57) **CLAIM**

The ornamental design for a septum, as shown and described.

(56) **References Cited**

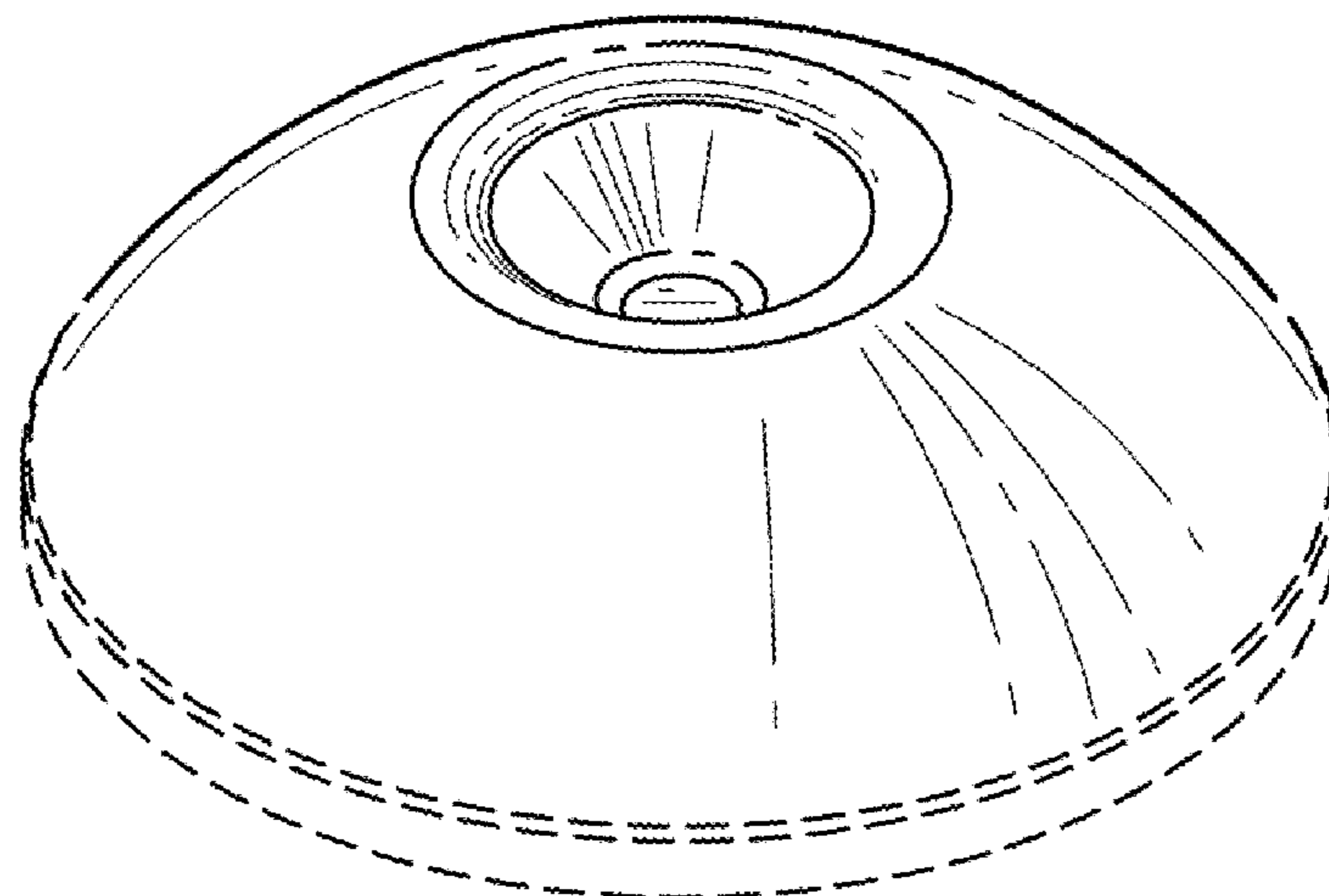
U.S. PATENT DOCUMENTS

2,364,126 A 12/1944 Cantor et al.  
2,395,149 A 2/1946 Shaw  
3,637,102 A 12/1972 Shaw  
4,190,048 A \* 2/1980 Sampson ..... A61M 5/14276  
604/175  
4,545,497 A 10/1985 Martha, Jr.  
4,671,331 A 6/1987 Pruden  
4,834,152 A 5/1989 Howson et al.  
4,954,149 A 9/1990 Fullemann  
5,584,850 A 12/1996 Hart et al.

**DESCRIPTION**

FIG. 1 is an upper perspective view of a septum and showing the design;  
FIG. 2 is a lower perspective view of the septum of FIG. 1;  
FIG. 3 is a top plan view of the septum of FIG. 1;  
FIG. 4 is a bottom plan view of the septum of FIG. 1; and,  
FIG. 5 is a side elevational view of the septum of FIG. 1.  
The broken lines in the figures immediately adjacent shaded areas represent boundaries of the claimed design; all other broken lines show structure that is not part of the claimed design, but rather show the environment in which the design is associated, or show portions of the article on which the design is applied, that are not considered part of the claimed design.

**1 Claim, 1 Drawing Sheet**



(56)

References Cited

U.S. PATENT DOCUMENTS

6,805,170 B2 10/2004 Py  
 6,902,207 B2 6/2005 Lickliter  
 6,929,040 B2 8/2005 Py  
 7,032,631 B2 4/2006 Py  
 7,096,896 B2 8/2006 Py  
 7,100,646 B2 9/2006 Py  
 7,111,649 B2 9/2006 Py  
 D533,660 S \* 12/2006 Persson ..... D24/128  
 7,243,689 B2 7/2007 Py  
 7,270,158 B2 9/2007 Py  
 7,322,491 B2 1/2008 Py  
 7,445,033 B2 11/2008 Py  
 D582,032 S \* 12/2008 Bizup ..... D24/129  
 7,490,639 B2 2/2009 Py  
 7,500,498 B2 3/2009 Py  
 7,556,066 B2 7/2009 Py  
 7,628,184 B2 12/2009 Py  
 7,648,491 B2 1/2010 Rogers  
 7,669,390 B2 3/2010 Py  
 7,707,807 B2 5/2010 Py  
 7,726,352 B2 6/2010 Py  
 7,726,357 B2 6/2010 Py et al.  
 7,736,333 B2 6/2010 Gillespie, III  
 7,780,023 B2 8/2010 Py  
 7,810,529 B2 10/2010 Py  
 7,905,527 B1 3/2011 Py  
 7,954,521 B2 6/2011 Py  
 7,967,034 B2 6/2011 Py  
 7,967,037 B2 6/2011 Py  
 7,975,453 B2 7/2011 Py  
 7,980,276 B2 7/2011 Py  
 7,992,597 B2 8/2011 Py  
 8,002,130 B2 8/2011 Thilly  
 8,096,333 B2 1/2012 Py  
 8,112,972 B2 2/2012 Py  
 D665,498 S \* 8/2012 Tamura ..... D24/130  
 8,347,923 B2 1/2013 Py  
 8,376,003 B2 2/2013 Py  
 8,403,894 B2 3/2013 Lynn et al.  
 8,408,256 B2 4/2013 Py  
 D683,451 S \* 5/2013 Todd ..... D24/118  
 8,608,712 B2 \* 12/2013 Bizup ..... A61M 39/0208  
 604/288.02

8,631,838 B2 1/2014 Py  
 D699,839 S \* 2/2014 Voic ..... D24/127  
 8,646,243 B2 2/2014 Py  
 8,671,964 B2 3/2014 Py  
 8,739,838 B2 6/2014 Py  
 8,932,271 B2 \* 1/2015 Hamatake ..... A61M 39/0247  
 604/288.01  
 9,089,395 B2 \* 7/2015 Honaryar ..... A61F 5/0056  
 D738,210 S \* 9/2015 Tanner ..... D9/440  
 9,347,923 B1 5/2016 Allendorf et al.  
 D776,285 S \* 1/2017 Dinger ..... D24/186  
 9,579,496 B2 \* 2/2017 Evans ..... A61M 39/0208  
 9,833,603 B2 \* 12/2017 Nardone ..... A61M 39/02  
 2005/0261627 A1 11/2005 Shue et al.  
 2007/0180796 A1 8/2007 Wild et al.  
 2007/0197960 A1 8/2007 Ritscher et al.  
 2007/0225635 A1 9/2007 Lynn  
 2009/0054865 A1 2/2009 Brandenburger et al.  
 2009/0078337 A1 3/2009 Gustafsson et al.  
 2009/0098250 A1 4/2009 Py  
 2009/0134114 A1 5/2009 Thilly  
 2009/0139883 A1 6/2009 Py et al.  
 2009/0139953 A1 6/2009 Py  
 2010/0051575 A1 3/2010 Ou et al.  
 2010/0107784 A1 5/2010 Stein  
 2010/0236659 A1 9/2010 Py  
 2011/0277873 A1 11/2011 Py  
 2012/0152881 A1 6/2012 Py  
 2012/0261027 A1 10/2012 Py  
 2013/0008137 A1 1/2013 Py  
 2013/0190704 A1 7/2013 Py  
 2013/0270820 A1 10/2013 Py  
 2013/0292592 A1 11/2013 Py  
 2013/0333796 A1 12/2013 Py  
 2014/0311617 A1 10/2014 Py  
 2015/0122369 A1 5/2015 Py  
 2016/0000651 A1 1/2016 Carrel et al.  
 2016/0038373 A1 2/2016 Ohlin

FOREIGN PATENT DOCUMENTS

WO 2012013585 A1 2/2012  
 WO 2012177933 12/2012

\* cited by examiner

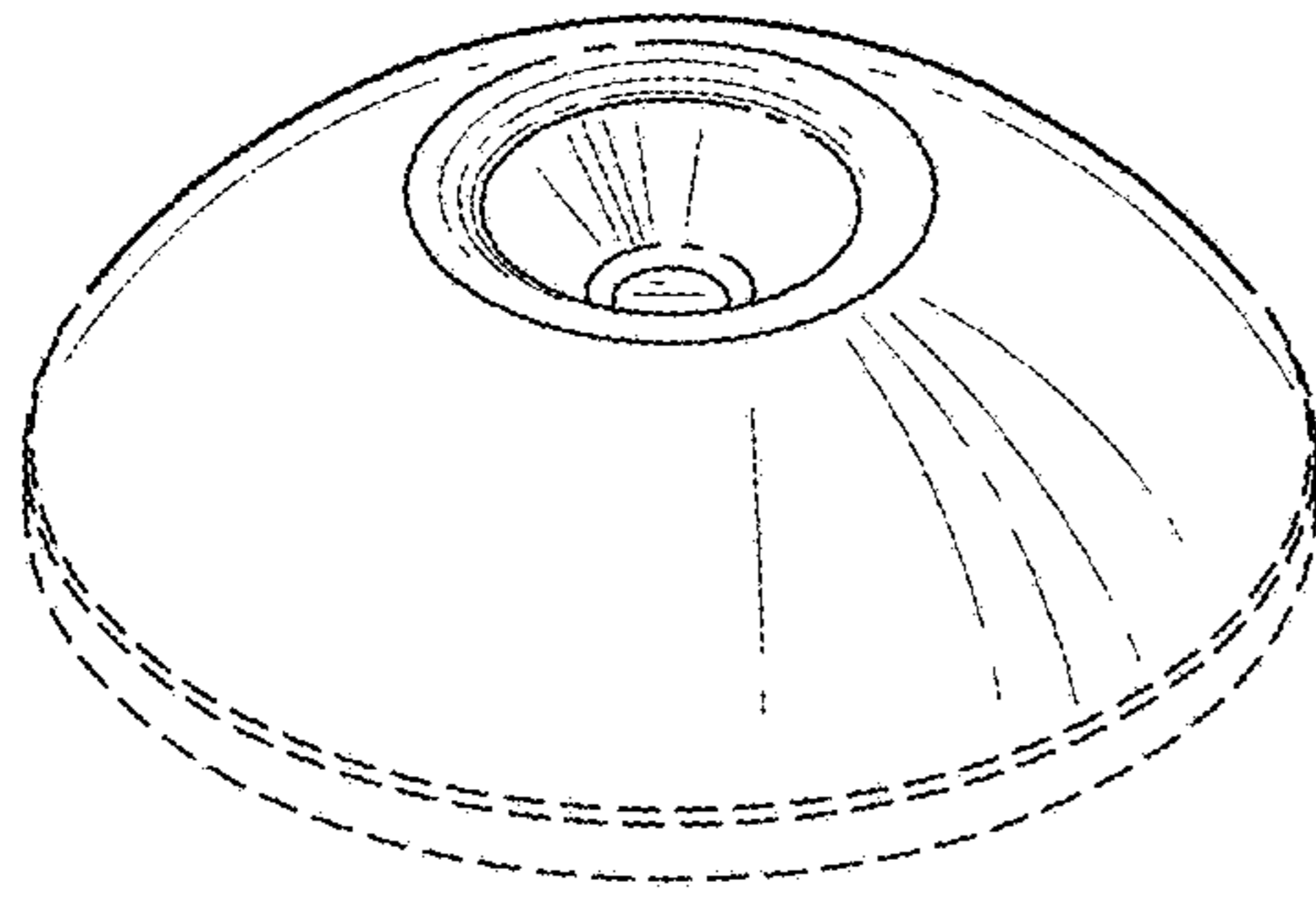


FIG. 1

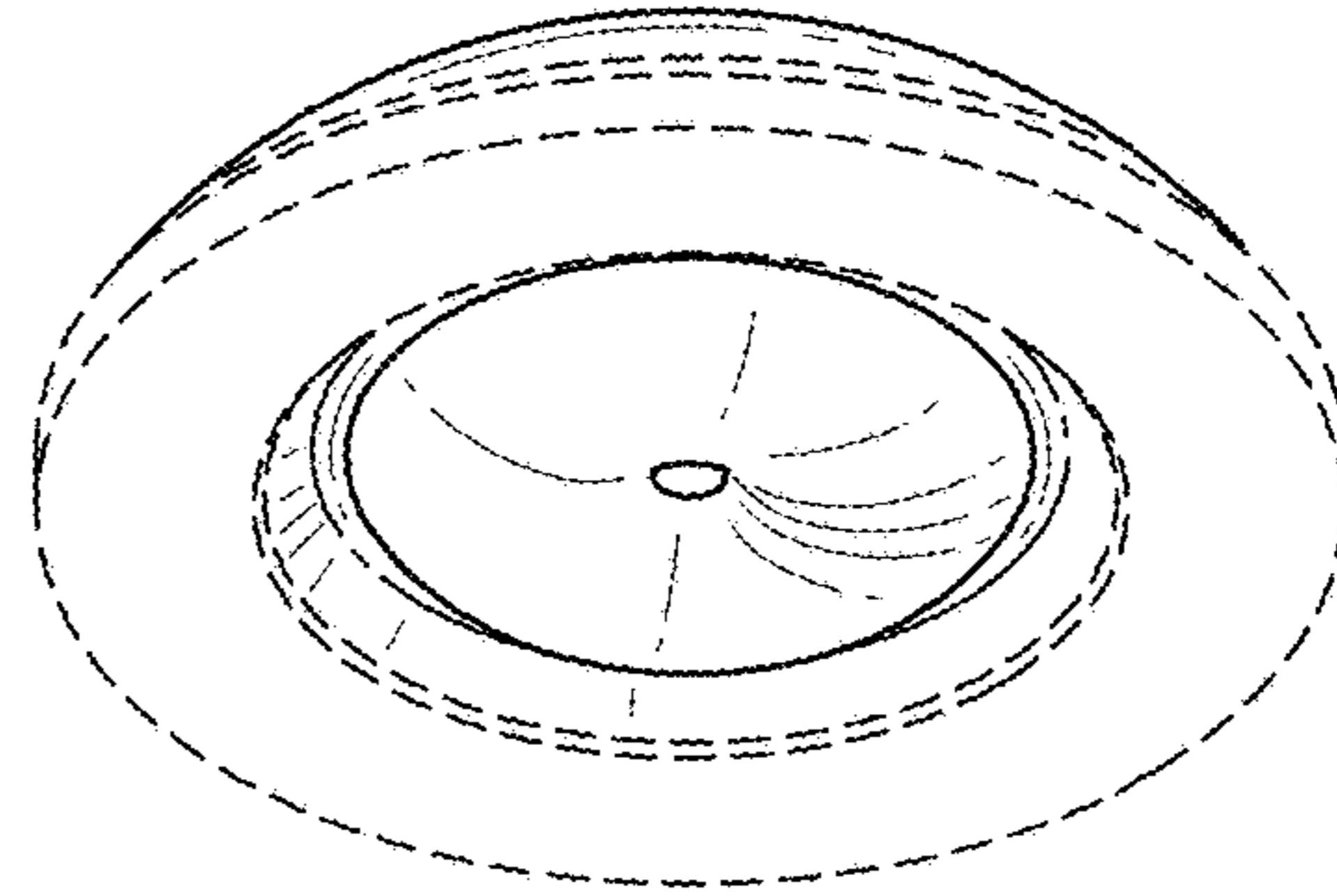


FIG. 2

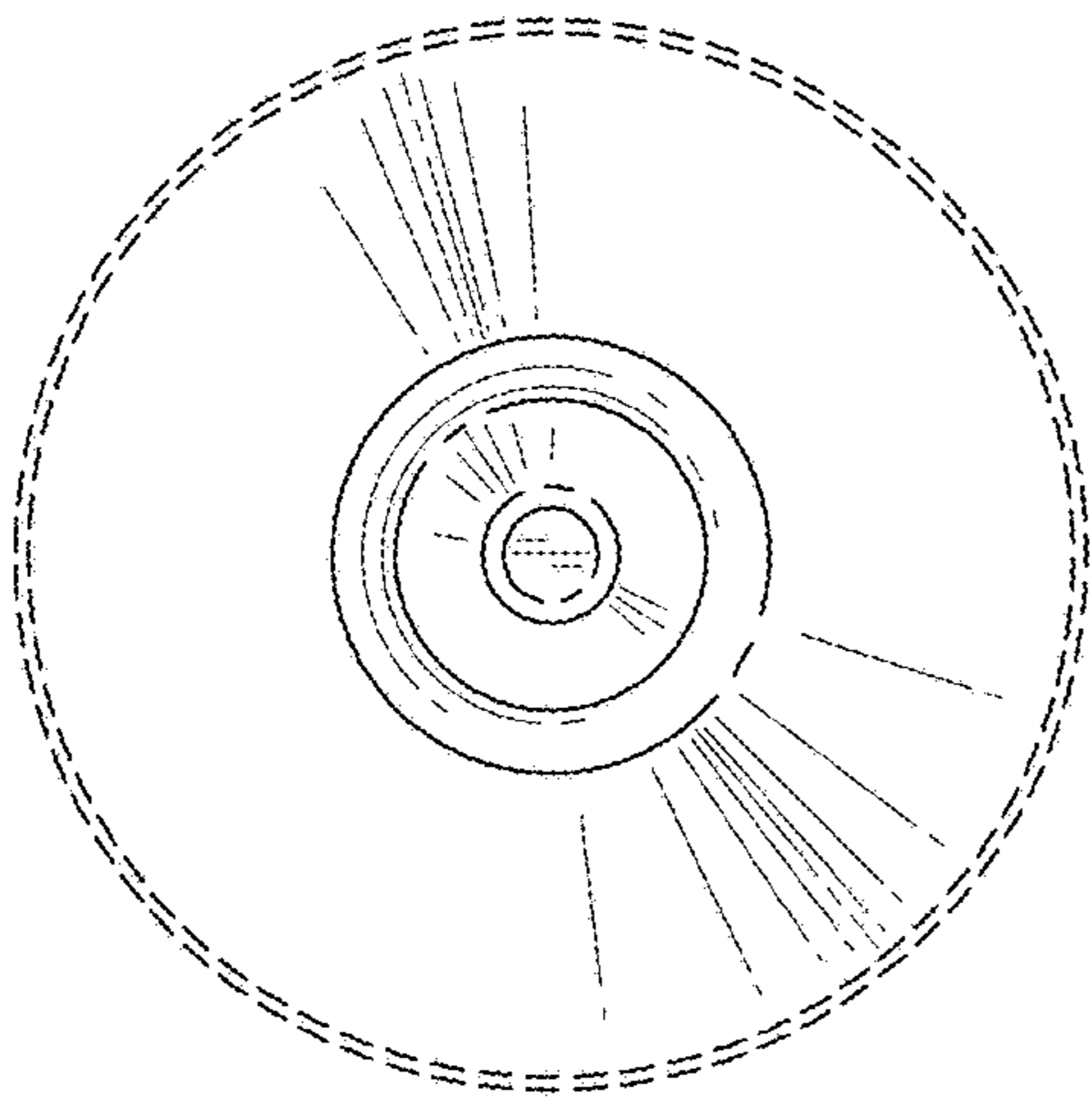


FIG. 3

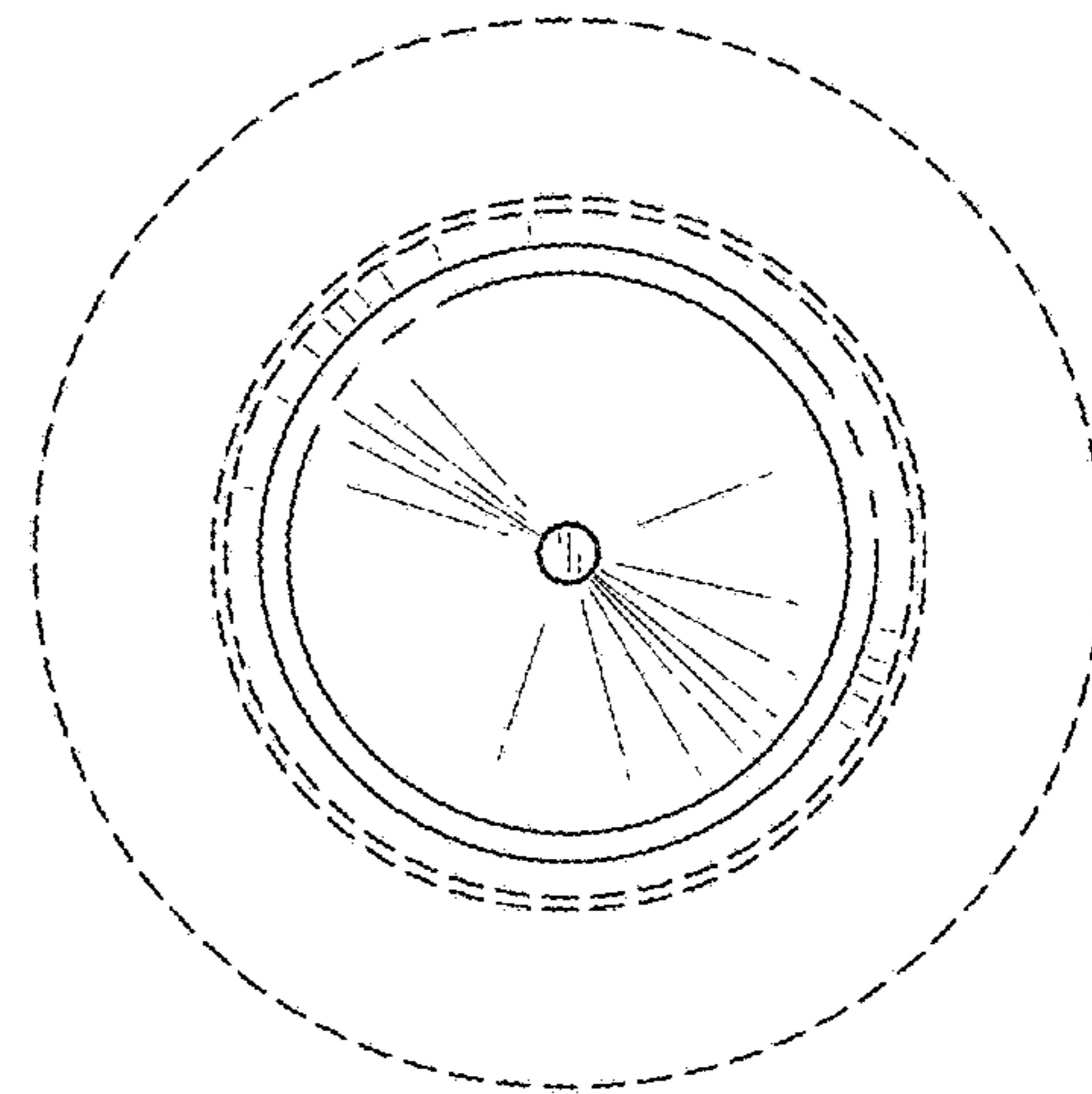


FIG. 4

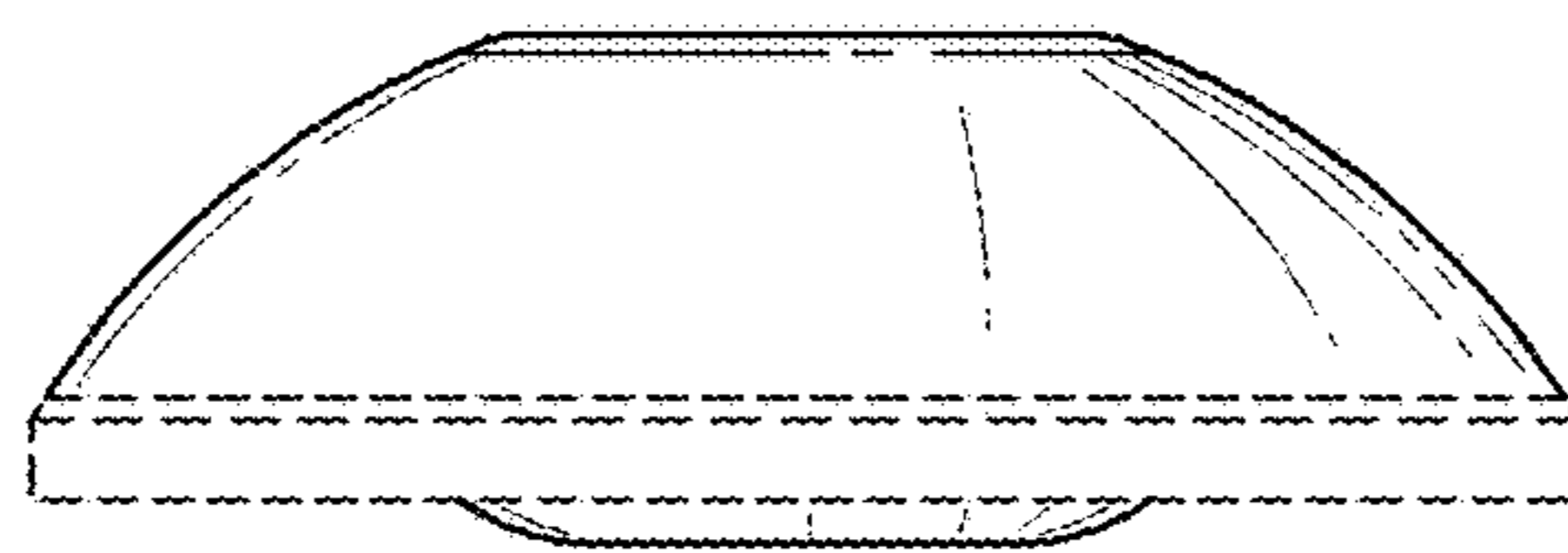


FIG. 5