



US00D829894S

(12) **United States Design Patent** (10) **Patent No.:** **US D829,894 S**  
**Hwang et al.** (45) **Date of Patent:** **\*\* Oct. 2, 2018**

(54) **WEARABLE DRUG DELIVERY DEVICE  
BASEPLATE**

FOREIGN PATENT DOCUMENTS

(71) Applicant: **Becton, Dickinson and Company,**  
Franklin Lakes, NJ (US)

CN 101801438 B 8/2013  
CN 103394143 A 11/2013

(Continued)

(72) Inventors: **Charles George Hwang,** Wellesley,  
MA (US); **John Prudden,** Manchester,  
MA (US); **Christopher Kovalchick,**  
Bedford, MA (US); **Russell Cole,** River  
Vale, NJ (US); **Nir Swenson,**  
Somerville, MA (US); **Gail Siewiorek,**  
Winchester, MA (US); **Joseph  
Iskandar,** Brighton, MA (US);  
**Alessandro Pizzochero,** Chelmsford,  
MA (US)

OTHER PUBLICATIONS

PAQ®, a Simple 3-Day Basal/Bolus Insulin Delivery Device, for  
People with Type 2 Diabetes, CeQur Corporation, Abstract from  
ATTD 2016, 9<sup>th</sup> International Conference on Advanced Technolo-  
gies & Treatments for Diabetes, Milan, Italy—Feb. 3-6, 2016, 1  
page.

(Continued)

(73) Assignee: **BECTON, DICKINSON AND  
COMPANY,** Franklin Lakes, NJ (US)

*Primary Examiner* — David Muller  
(74) *Attorney, Agent, or Firm* — Dickinson Wright PLLC

(57) **CLAIM**

The ornamental design for a wearable drug delivery device  
baseplate, as shown and described.

(\*\*) Term: **15 Years**

**DESCRIPTION**

(21) Appl. No.: **29/552,336**

FIG. 1 is a top perspective view of a wearable drug delivery  
device baseplate in accordance with an embodiment of the  
present invention;

(22) Filed: **Jan. 21, 2016**

FIG. 2 is a bottom perspective view of the drug delivery  
device baseplate;

(51) **LOC (11) Cl.** ..... **24-02**

(52) **U.S. Cl.**  
USPC ..... **D24/127**

FIG. 3 is a top plan view of the drug delivery device  
baseplate;

(58) **Field of Classification Search**  
USPC ..... D24/127–131, 112–114, 133, 186;  
606/181, 185, 264, 523–528, 272, 187,  
(Continued)

FIG. 4 is a left side elevational view of the drug delivery  
device baseplate;

(56) **References Cited**

U.S. PATENT DOCUMENTS

5,665,065 A 9/1997 Colman et al.  
5,816,779 A 10/1998 Lawless et al.

(Continued)

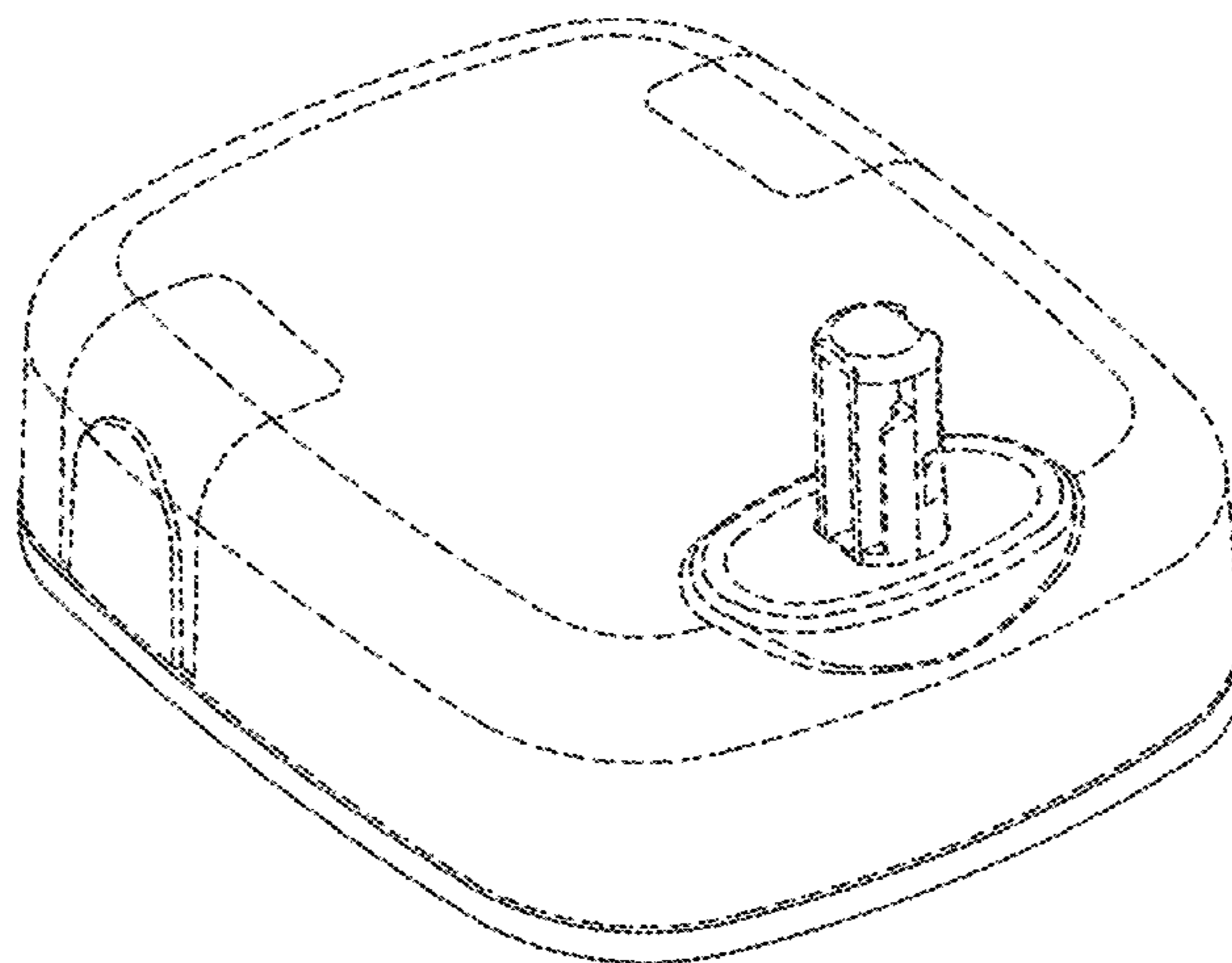
FIG. 5 is a right side elevational view of the drug delivery  
device baseplate;

FIG. 6 is a front elevational view of the drug delivery device  
baseplate;

FIG. 7 is a back elevational view of the drug delivery device  
baseplate; and,

FIG. 8 is a bottom plan view of the drug delivery device  
baseplate.

**1 Claim, 6 Drawing Sheets**



- (58) **Field of Classification Search**  
 USPC ..... 606/158, 164.01–164.11, 184, 227;  
                   604/264, 523–528, 272, 187, 158,  
                   604/164.01–164.11, 181, 184, 227;  
                   600/101, 139, 143; 128/200.24, 207.14,  
   128/207.15  
 CPC ..... A61M 5/14248; A61M 5/158; A61M  
                   2005/1585; A61M 2205/583; A61M  
   2209/045  
 See application file for complete search history.

(56) **References Cited**

U.S. PATENT DOCUMENTS

5,913,180	A	6/1999	Ryan	
6,006,239	A	12/1999	Bhansali et al.	
6,589,229	B1	7/2003	Connelly et al.	
6,656,147	B1	12/2003	Gertsek et al.	
6,656,148	B2	12/2003	Das et al.	
6,685,675	B1	2/2004	Hadvary et al.	
6,740,059	B2	5/2004	Flaherty	
6,824,529	B2	11/2004	Gross et al.	
6,843,782	B2	1/2005	Gross et al.	
7,052,251	B2	5/2006	Nason et al.	
D564,087	S	3/2008	Yodfat et al.	
D574,016	S	7/2008	Yodfat et al.	
D577,118	S	9/2008	Yodfat et al.	
7,517,440	B2	4/2009	Anex et al.	
7,648,494	B2	1/2010	Kornerup et al.	
7,660,615	B2*	2/2010	VanAntwerp ..... A61B 5/14532 439/834	
7,678,079	B2	3/2010	Shermer et al.	
7,708,717	B2	5/2010	Estes et al.	
D619,245	S*	7/2010	Moga ..... D24/113	
7,771,391	B2	8/2010	Carter	
7,802,923	B2	9/2010	Arnold et al.	
7,857,131	B2	12/2010	Vedrine	
7,922,708	B2	4/2011	Estes et al.	
7,927,306	B2	4/2011	Cross et al.	
7,927,325	B2*	4/2011	Bright ..... A61M 5/14276 604/523	
7,931,621	B2*	4/2011	Cross ..... A61M 5/1413 604/158	
D638,534	S*	5/2011	Moga ..... D24/113	
7,938,801	B2*	5/2011	Hawkins ..... A61M 5/14248 604/131	
7,976,500	B2	7/2011	Adams et al.	
8,062,253	B2	11/2011	Nielsen et al.	
8,062,256	B2	11/2011	Carter et al.	
8,114,064	B2	2/2012	Alferness et al.	
8,128,596	B2	3/2012	Carter	
8,128,597	B2	3/2012	Cross et al.	
8,162,923	B2	4/2012	Adams et al.	
8,226,606	B2	7/2012	Adams et al.	
8,226,607	B2	7/2012	Carter et al.	
8,231,572	B2	7/2012	Carter et al.	
8,231,577	B2	7/2012	Carter et al.	
8,267,921	B2	9/2012	Yodfat et al.	
8,337,486	B2	12/2012	Yodfat et al.	
8,352,041	B2	1/2013	Das et al.	
8,361,030	B2	1/2013	Carter	
8,409,151	B2	4/2013	Hawkins et al.	
8,414,563	B2	4/2013	Kamen et al.	
D681,830	S*	5/2013	Chung ..... D24/186	
8,449,504	B2	5/2013	Carter et al.	
D684,685	S	6/2013	Schneider et al.	
D684,686	S	6/2013	Cronenberg	
D685,083	S	6/2013	Schneider et al.	
D685,084	S	6/2013	Guarraia et al.	
8,469,920	B2	6/2013	Mernoe et al.	
D687,140	S	7/2013	Guarraia et al.	
D687,141	S	7/2013	Schneider et al.	
8,491,529	B2	7/2013	Yodfat et al.	
D687,536	S	8/2013	Guarraia et al.	
D688,784	S	8/2013	Schneider et al.	
8,500,692	B2	8/2013	Yodfat et al.	

8,512,287	B2	8/2013	Cindrich et al.	
8,613,719	B2	12/2013	Karratt et al.	
8,753,310	B2	6/2014	Sullivan et al.	
8,753,315	B2	6/2014	Alferness et al.	
8,758,308	B2	6/2014	Alferness et al.	
8,795,230	B2	8/2014	Schoonmaker et al.	
8,795,234	B2	8/2014	Kadamus et al.	
8,808,269	B2	8/2014	Bazargan et al.	
D744,095	S*	11/2015	Winter ..... D24/129	
D747,456	S	1/2016	Sonderegger et al.	
D747,457	S	1/2016	Glance et al.	
D747,458	S	1/2016	Sonderegger et al.	
D747,459	S	1/2016	Sonderegger et al.	
9,254,373	B2	2/2016	Hardum	
D754,842	S	4/2016	Sonderegger et al.	
D754,843	S	4/2016	Sonderegger et al.	
D756,504	S	5/2016	Sonderegger et al.	
9,364,606	B2	6/2016	Cindrich et al.	
9,433,757	B2	9/2016	Constantineau et al.	
9,480,792	B2	11/2016	Constantineau et al.	
9,522,229	B2	12/2016	Sonderegger et al.	
9,522,231	B2	12/2016	Schneider et al.	
D776,284	S*	1/2017	Ratto ..... D24/186	
D777,331	S*	1/2017	Jayalath ..... D14/344	
D778,434	S*	2/2017	Arami ..... D24/112	
D780,912	S*	3/2017	Babbs ..... D24/128	
2005/0238507	A1	10/2005	Dilanni et al.	
2006/0183984	A1	8/2006	Dobbles et al.	
2007/0282269	A1	12/2007	Carter et al.	
2007/0287960	A1	12/2007	Adams et al.	
2007/0299408	A1	12/2007	Alferness et al.	
2008/0119790	A1	5/2008	Hawkins et al.	
2008/0167641	A1	7/2008	Hansen et al.	
2008/0249473	A1	10/2008	Rutti et al.	
2009/0088692	A1	4/2009	Adams et al.	
2009/0182277	A1	7/2009	Carter	
2009/0240240	A1	9/2009	Hines et al.	
2009/0247982	A1	10/2009	Krulevitch et al.	
2009/0281497	A1	11/2009	Kamen et al.	
2010/0049128	A1	2/2010	McKenzie et al.	
2010/0167385	A1	7/2010	Celentano et al.	
2010/0204657	A1	8/2010	Yodfat et al.	
2010/0234805	A1	9/2010	Kaufmann et al.	
2011/0098652	A1	4/2011	Hasted et al.	
2011/0282293	A1	11/2011	Hordum	
2011/0306931	A1	12/2011	Kamen et al.	
2011/0319862	A1	12/2011	Friedman et al.	
2012/0053522	A1	3/2012	Yodfat et al.	
2012/0150115	A1	6/2012	Kamen et al.	
2012/0209241	A1	8/2012	Drew	
2012/0215175	A1	8/2012	Alferness et al.	
2013/0072872	A1	3/2013	Yodfat et al.	
2013/0226092	A1	8/2013	Hawkins et al.	
2014/0088504	A1	3/2014	King	
2014/0148756	A1	5/2014	Yodfat et al.	
2014/0236086	A1	8/2014	Levesque et al.	
2014/0236087	A1	8/2014	Alderete, Jr. et al.	
2015/0065959	A1	3/2015	Carter et al.	
2015/0292779	A1	10/2015	Chen	

FOREIGN PATENT DOCUMENTS

WO	WO-2009013736	A1	1/2009
WO	WO-2009045780	A2	4/2009
WO	WO-2009117466	A1	9/2009
WO	WO-2015199981	A1	12/2015

OTHER PUBLICATIONS

Human Factor Testing Provided Valuable Input into the Iterative Optimization of PAQ®, CeQur Corporation, Abstract from ATTD 2016, 9<sup>th</sup> International Conference on Advanced Technologies & Treatments for Diabetes, Milan, Italy—Feb. 3-6, 2016, 1 page.  
 Validation of Adhesive Tape Optimization of PAQ®, a Simple 3-Day Wearable Basal/Bolus Insulin Delivery Device, in Normal Volunteers, CeQur Corporation, Abstract from ATTD 2016, 9<sup>th</sup> International Conference on Advanced Technologies & Treatments for Diabetes, Milan, Italy—Feb. 3-6, 2016, 1 page.



(56)

**References Cited**

OTHER PUBLICATIONS

PAQ®, a Simple 3-Day Wearable Basal/Bolus Insulin Delivery Device, Designed for Discreet Diabetes Management, CeQur Corporation, Abstract from ATTD 2016, 9<sup>th</sup> International Conference on Advanced Technologies & Treatments for Diabetes, Milan, Italy—Feb. 3-6, 2016, 1 page.

\* cited by examiner

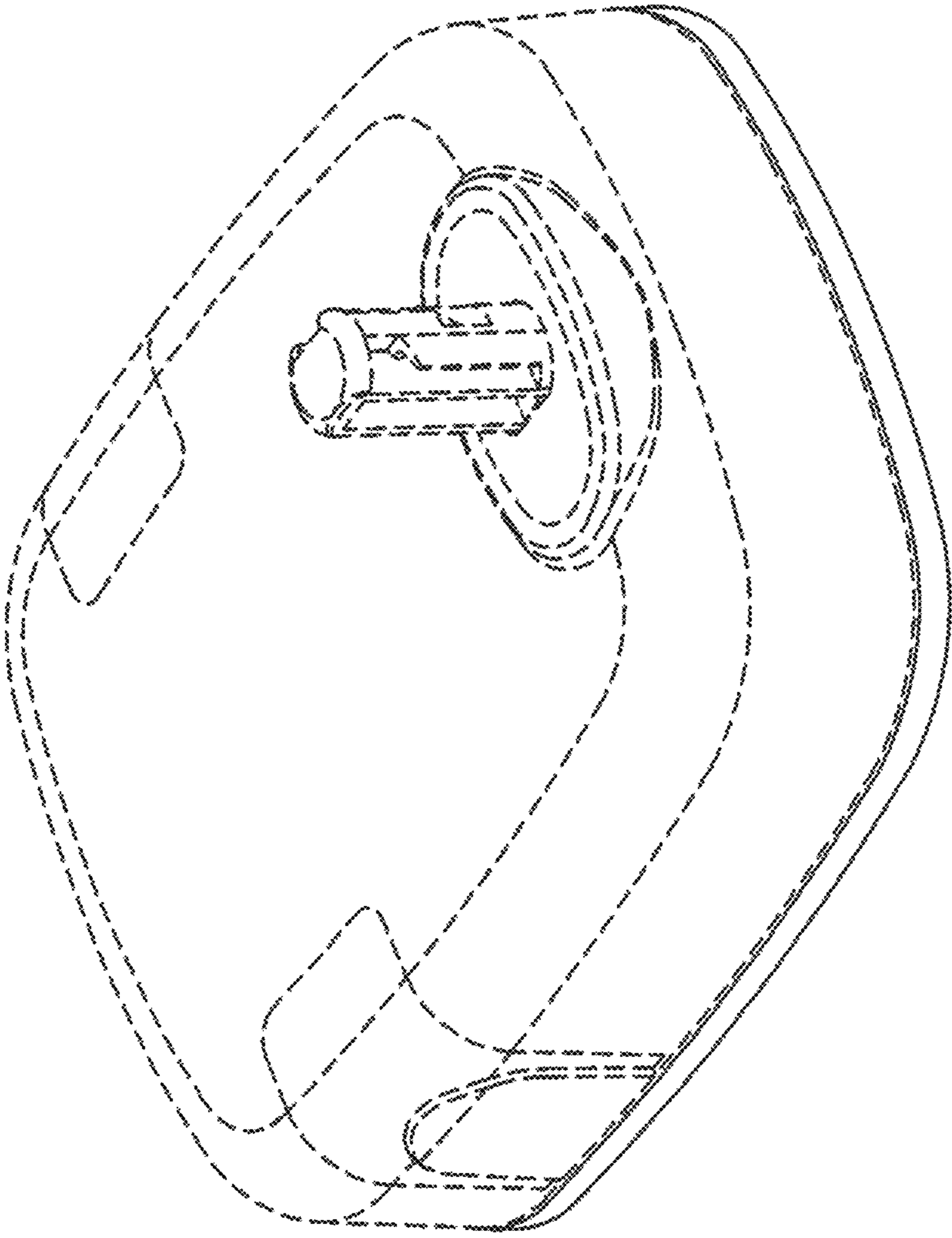


FIG. 1

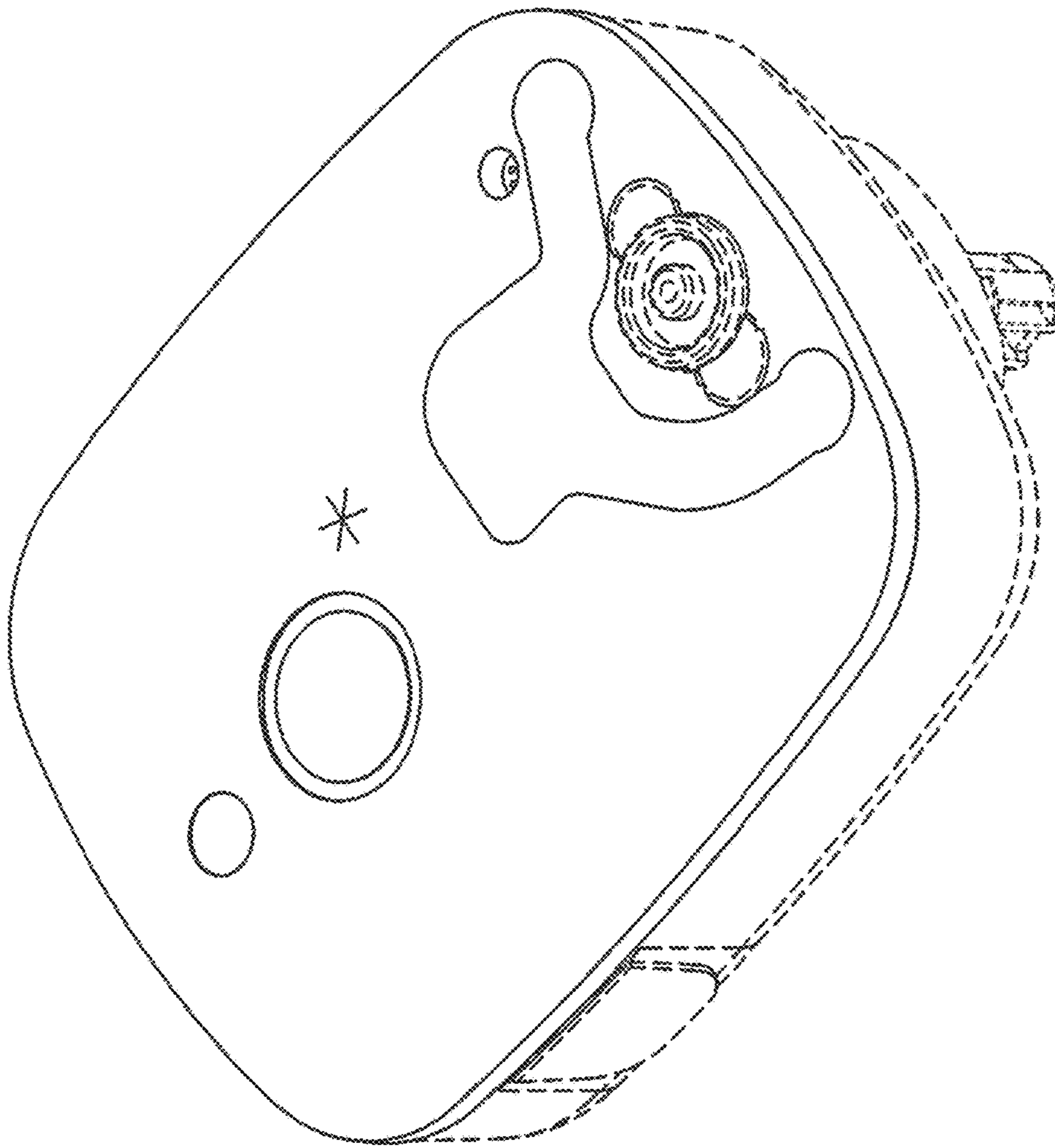


FIG.2

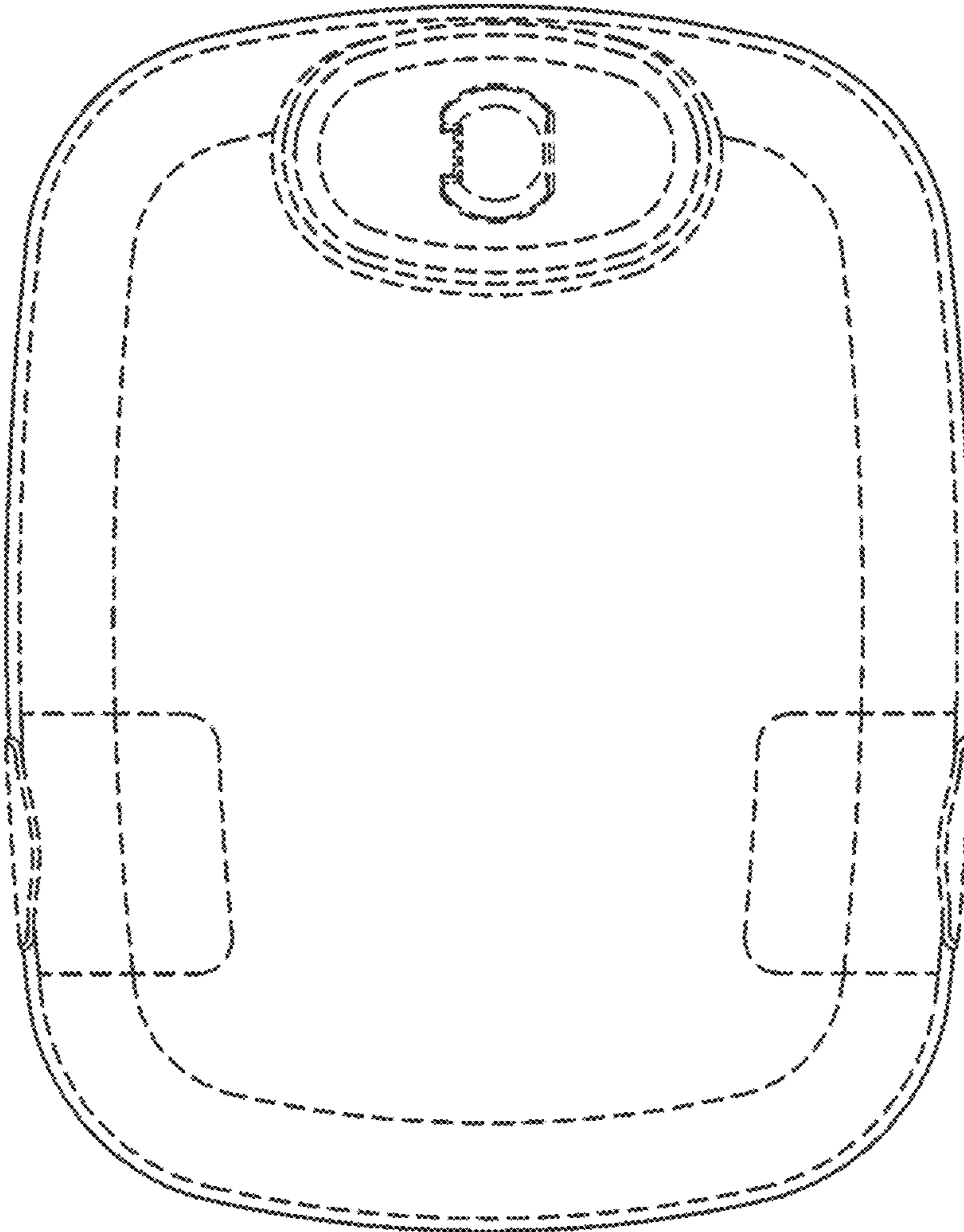


FIG. 3

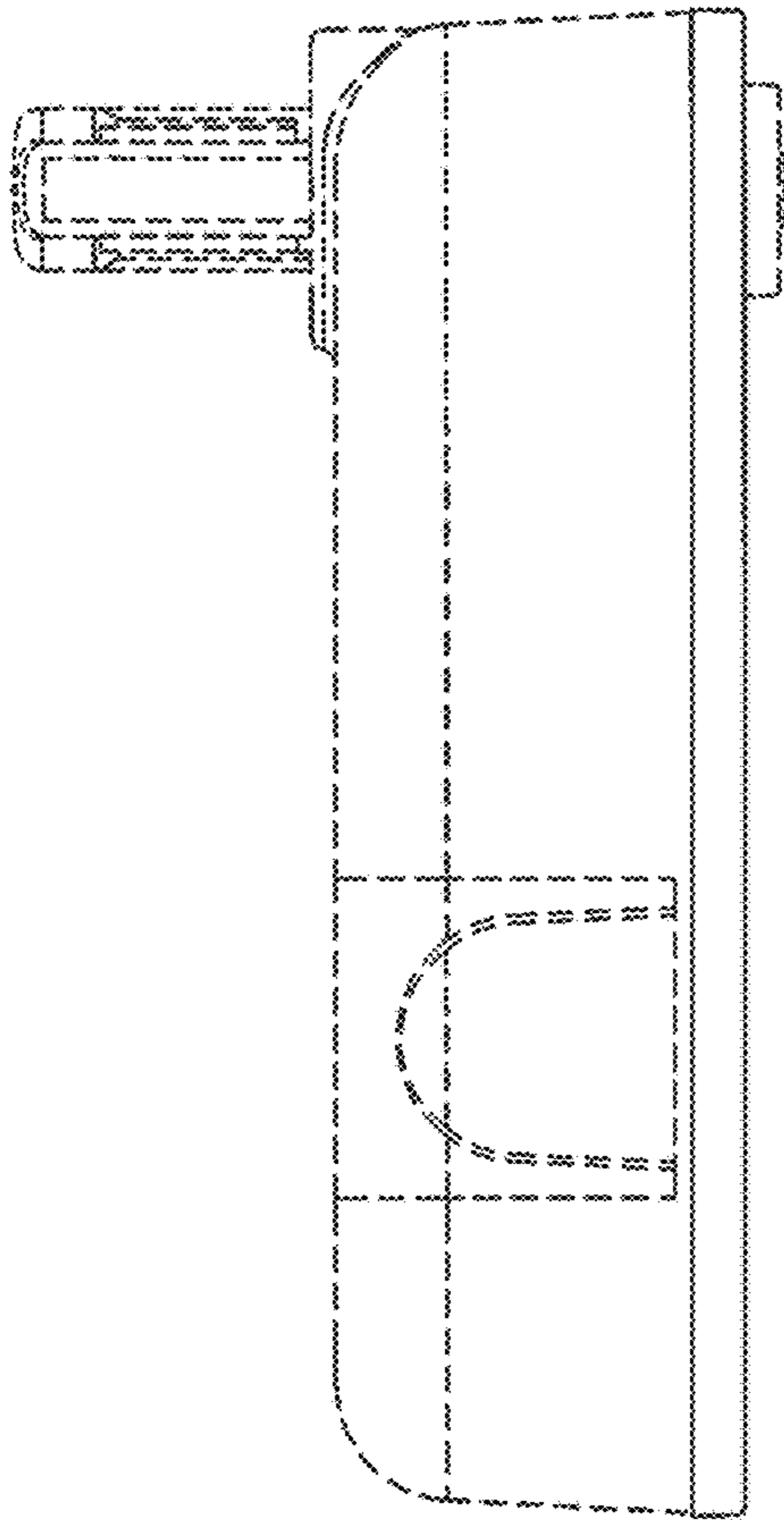


FIG. 4

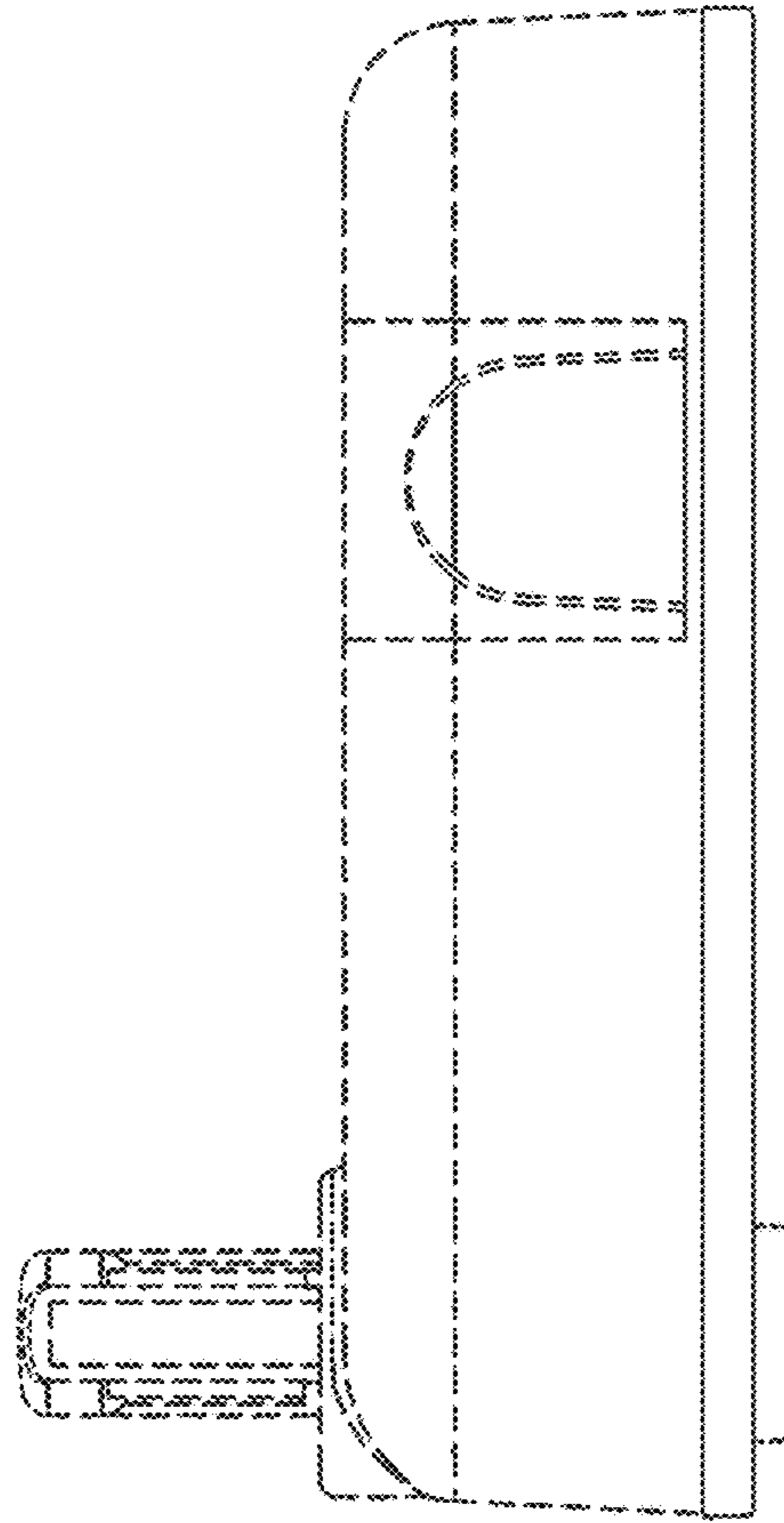


FIG. 5

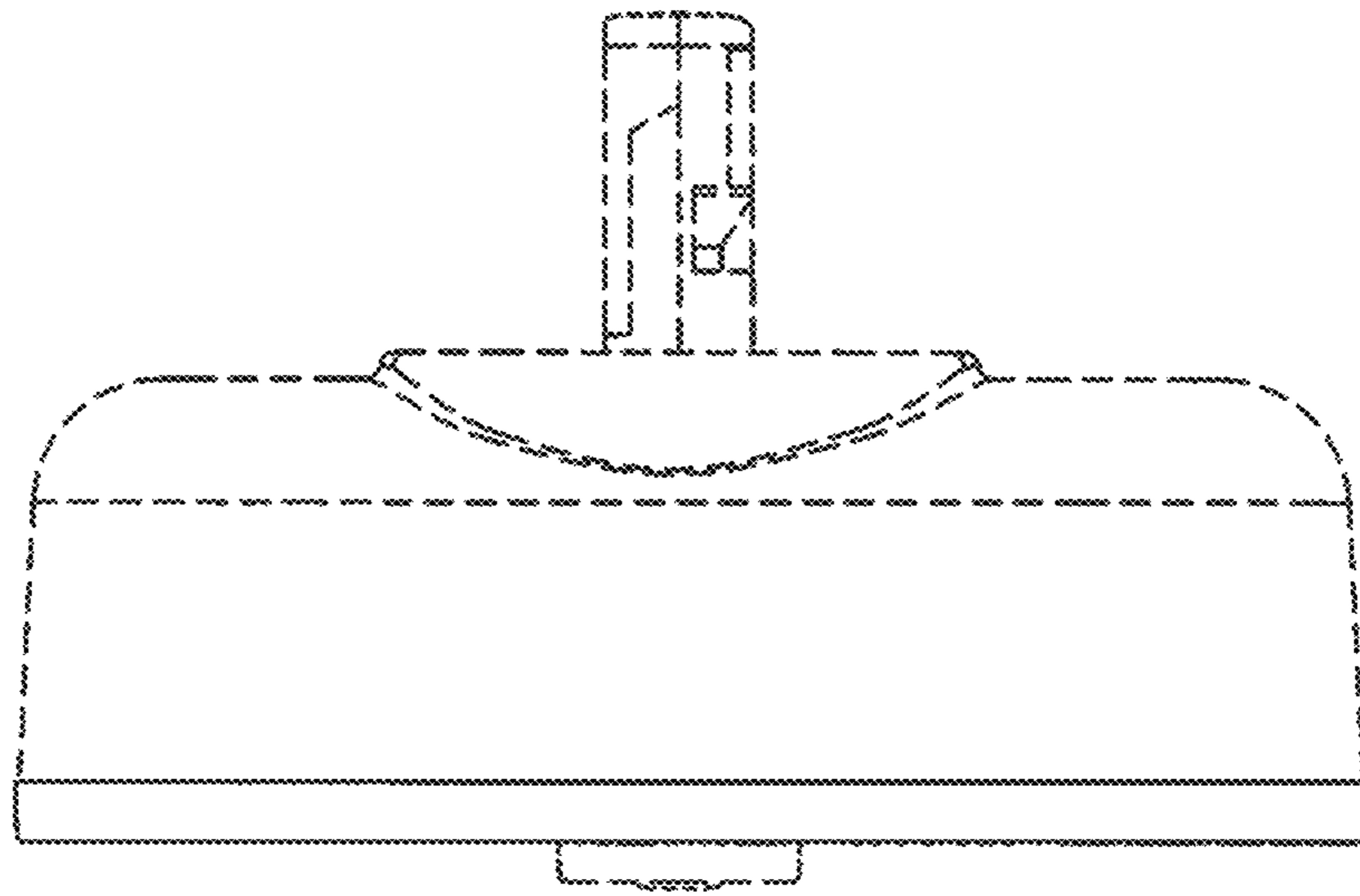


FIG. 6

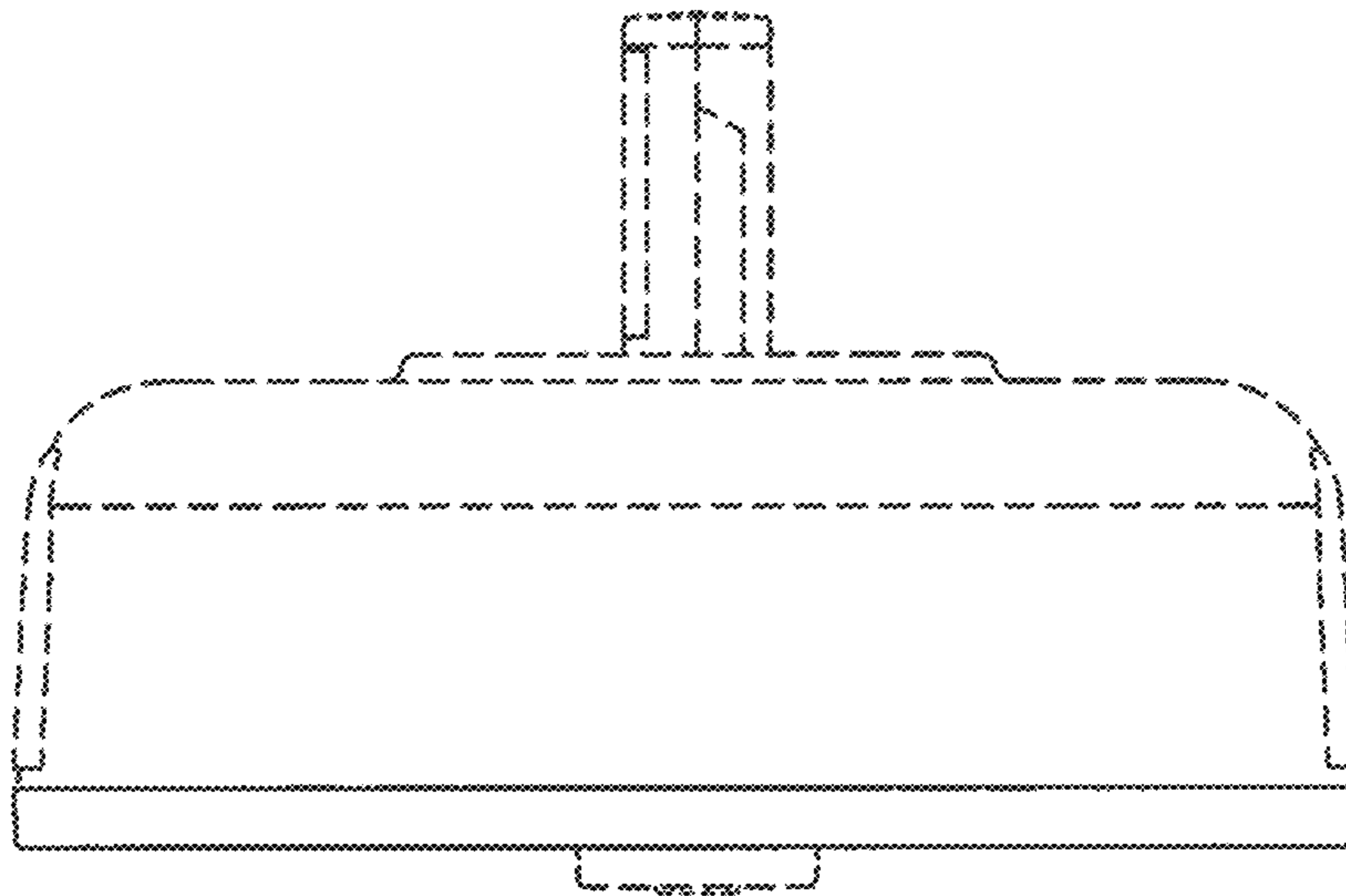


FIG. 7



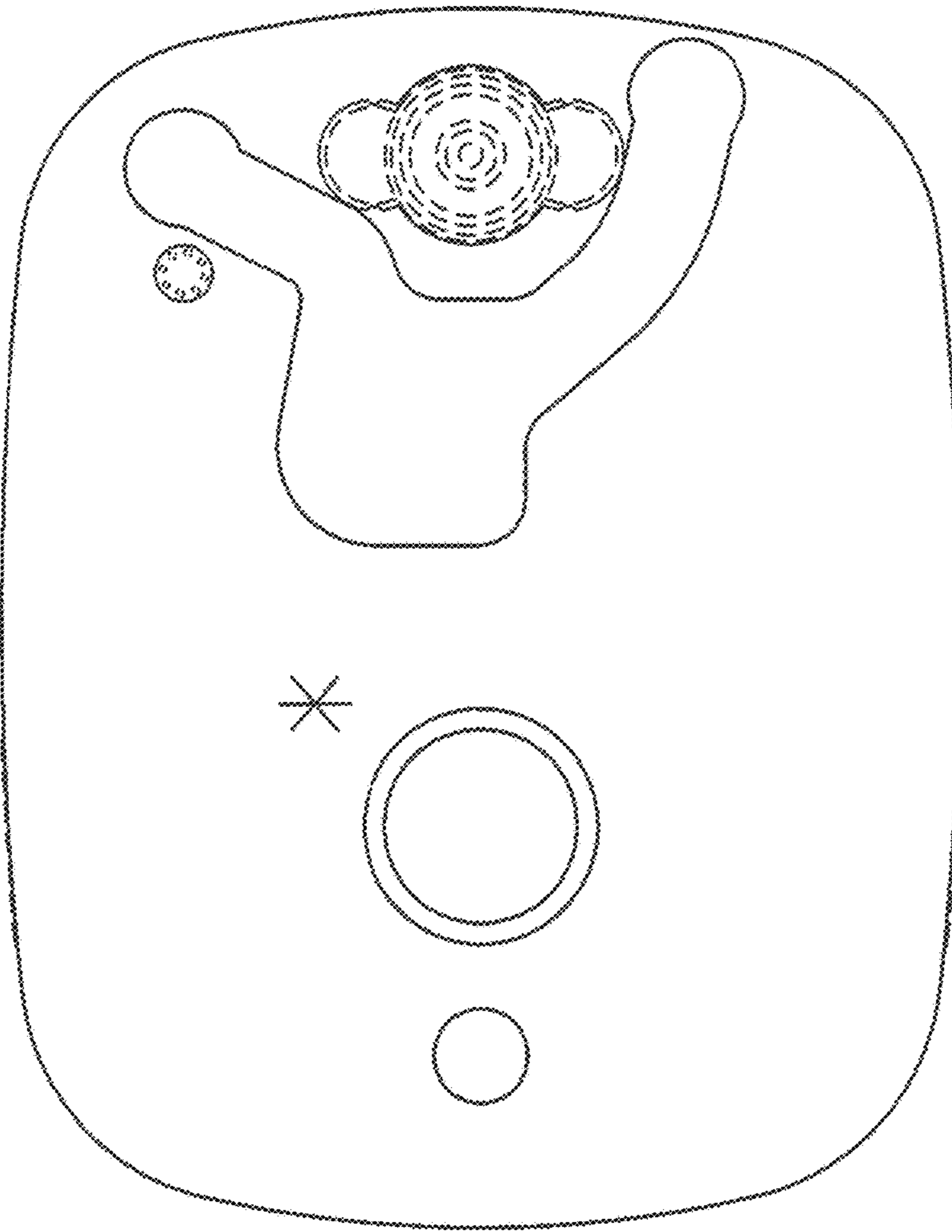


FIG. 8