



US00D829893S

(12) **United States Design Patent** (10) **Patent No.:** **US D829,893 S**
Kio (45) **Date of Patent:** **** Oct. 2, 2018**

(54) **BRIEF FOR CENTERING A CATHETER**

(71) Applicant: **Dustin Kio**, Genesee, PA (US)

(72) Inventor: **Dustin Kio**, Genesee, PA (US)

(**) Term: **15 Years**

(21) Appl. No.: **29/626,653**

(22) Filed: **Nov. 17, 2017**

(51) **LOC (11) Cl.** **24-04**

(52) **U.S. Cl.**
USPC **D24/126**

(58) **Field of Classification Search**
USPC D24/124, 125, 126; D2/6, 10, 11, 28, 29,
D2/34, 701; 604/347, 348, 354, 358-361,
604/378, 385.01, 385.201, 385.24,
604/385.25; 450/104, 105
CPC A61F 13/15; A61F 13/64; A61F 13/476;
A61F 13/5611; A61F 13/4704; A61F
13/535; A61F 13/539; A61F 13/47; A61F
13/531; A61F 13/505; A61F 13/491;
A61F 13/565; A61F 13/72; A41B 9/04
See application file for complete search history.

(56) **References Cited**

U.S. PATENT DOCUMENTS

D348,102 S * 6/1994 Gegelys D24/124
D383,207 S * 9/1997 Cassell D24/126
D398,055 S * 9/1998 Burden D24/124
D608,443 S * 1/2010 Thompson D24/126
D633,689 S * 3/2011 Hunt A61F 13/491
D2/712

D692,558 S * 10/2013 Cassano D24/126
D693,464 S * 11/2013 Neely D24/126
9,003,571 B1 * 4/2015 Lewis-Williams A41B 9/04
2/250
D760,993 S * 7/2016 Dawkins D2/712
D788,294 S * 5/2017 Cardenas D24/126
D800,301 S * 10/2017 Ort D24/126
9,833,023 B2 * 12/2017 Sabin A41B 9/04
9,987,173 B1 * 6/2018 Montgomery A61F 13/4915

* cited by examiner

Primary Examiner — Cathron C Brooks

Assistant Examiner — Samantha Q. Lawrence

(74) *Attorney, Agent, or Firm* — RG Patent Consulting,
LLC; Rachel Gilboy

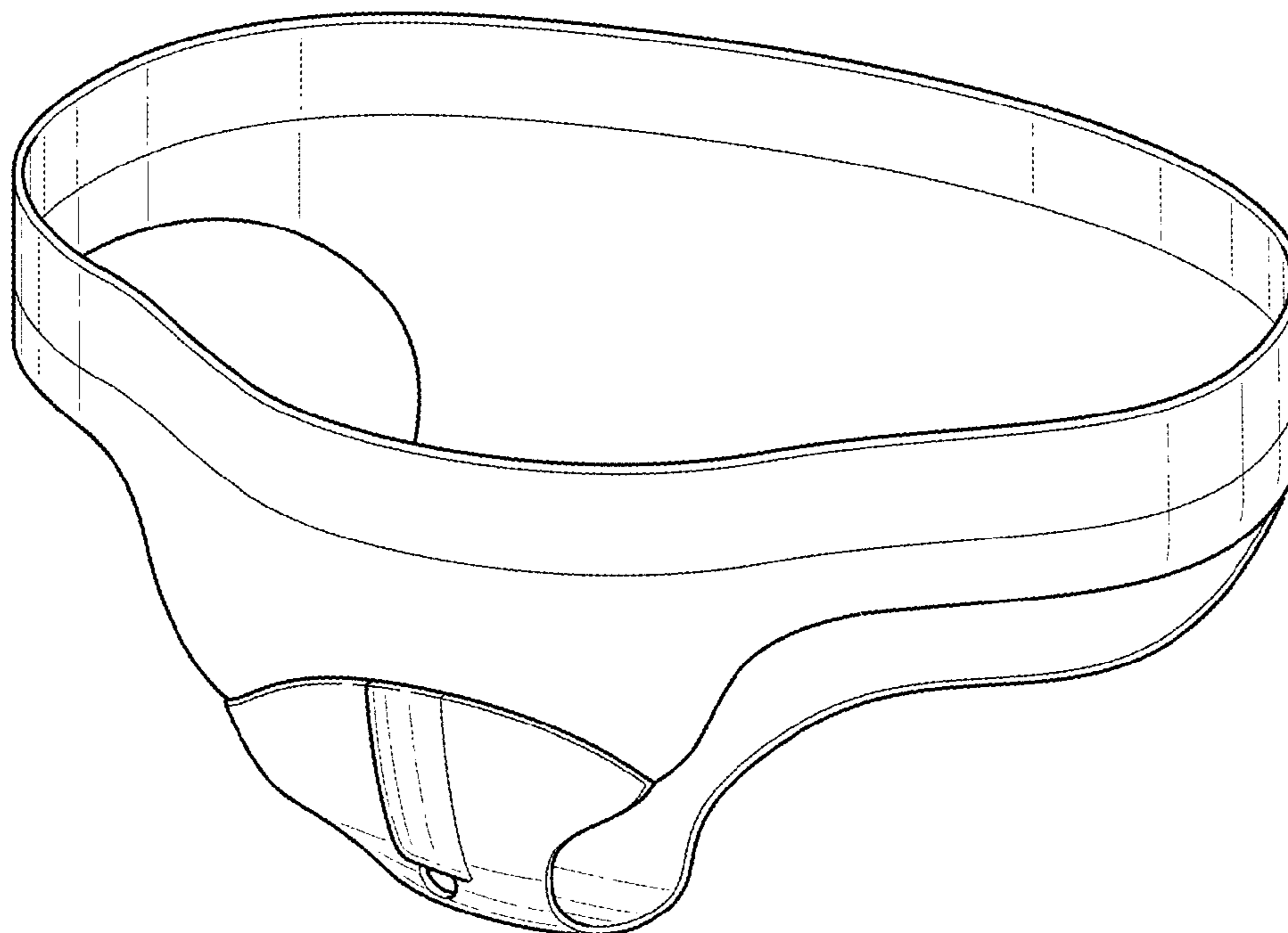
(57) **CLAIM**

The ornamental design for a brief for centering a catheter, as shown and described.

DESCRIPTION

FIG. 1 is a perspective view of the brief for centering a catheter showing my new design;
FIG. 2 is a perspective view thereof, with the center cloth in an alternate position;
FIG. 3 is a front elevation view thereof;
FIG. 4 is a rear elevation view thereof;
FIG. 5 is a right elevation view thereof;
FIG. 6 is a left elevation view thereof;
FIG. 7 is a top plan view thereof; and,
FIG. 8 is a bottom plan view thereof.

1 Claim, 4 Drawing Sheets



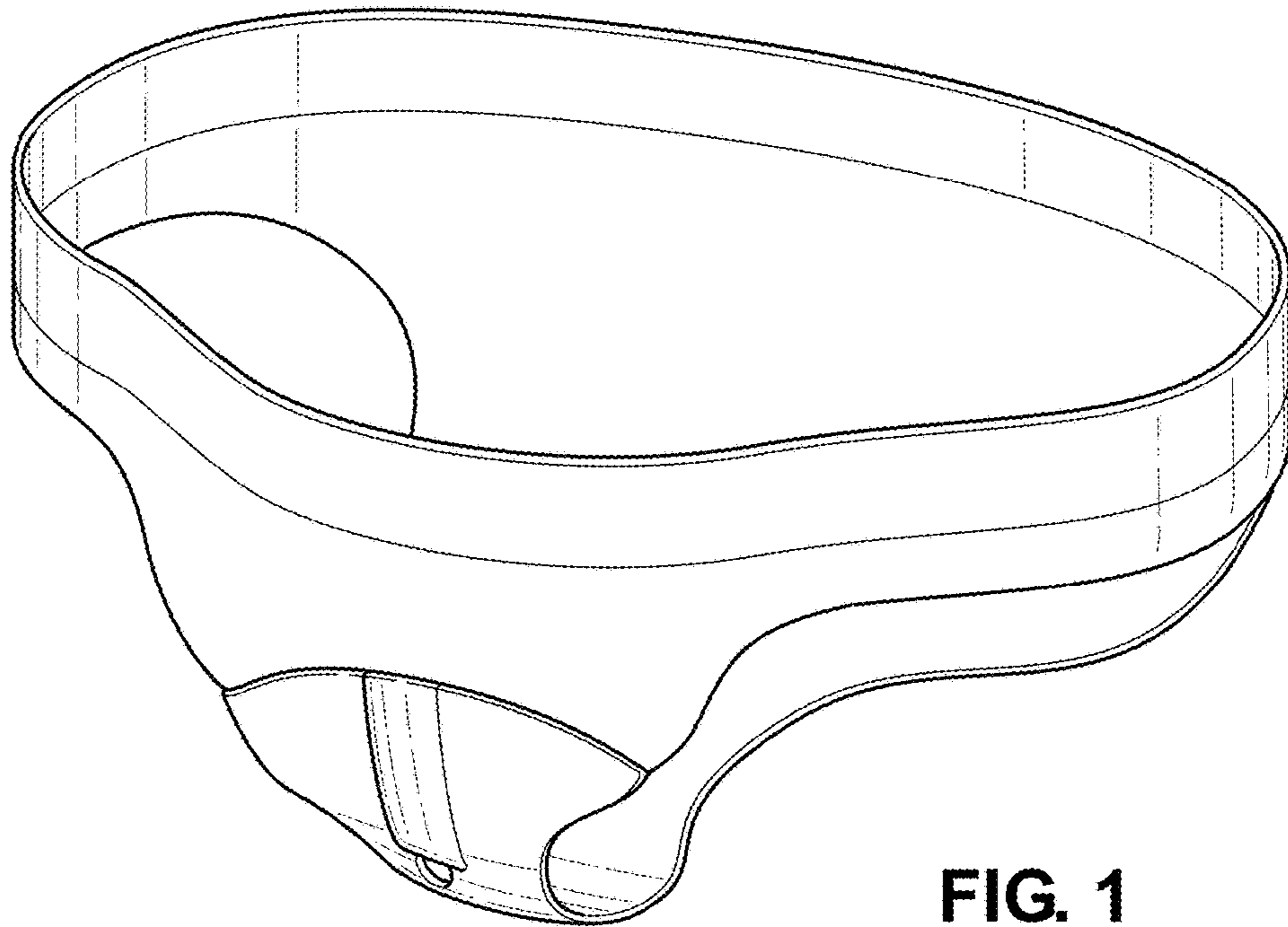


FIG. 1

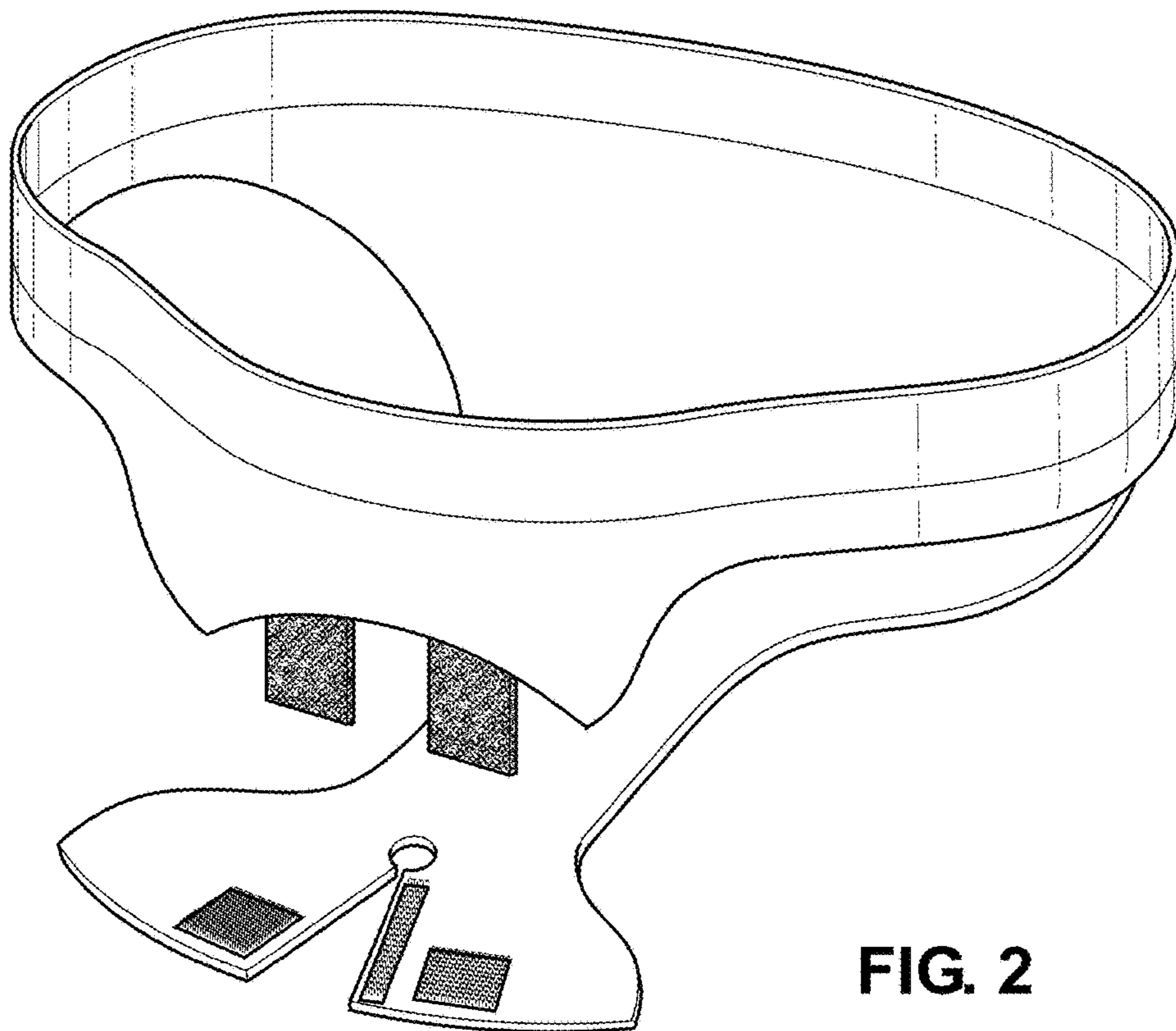


FIG. 2

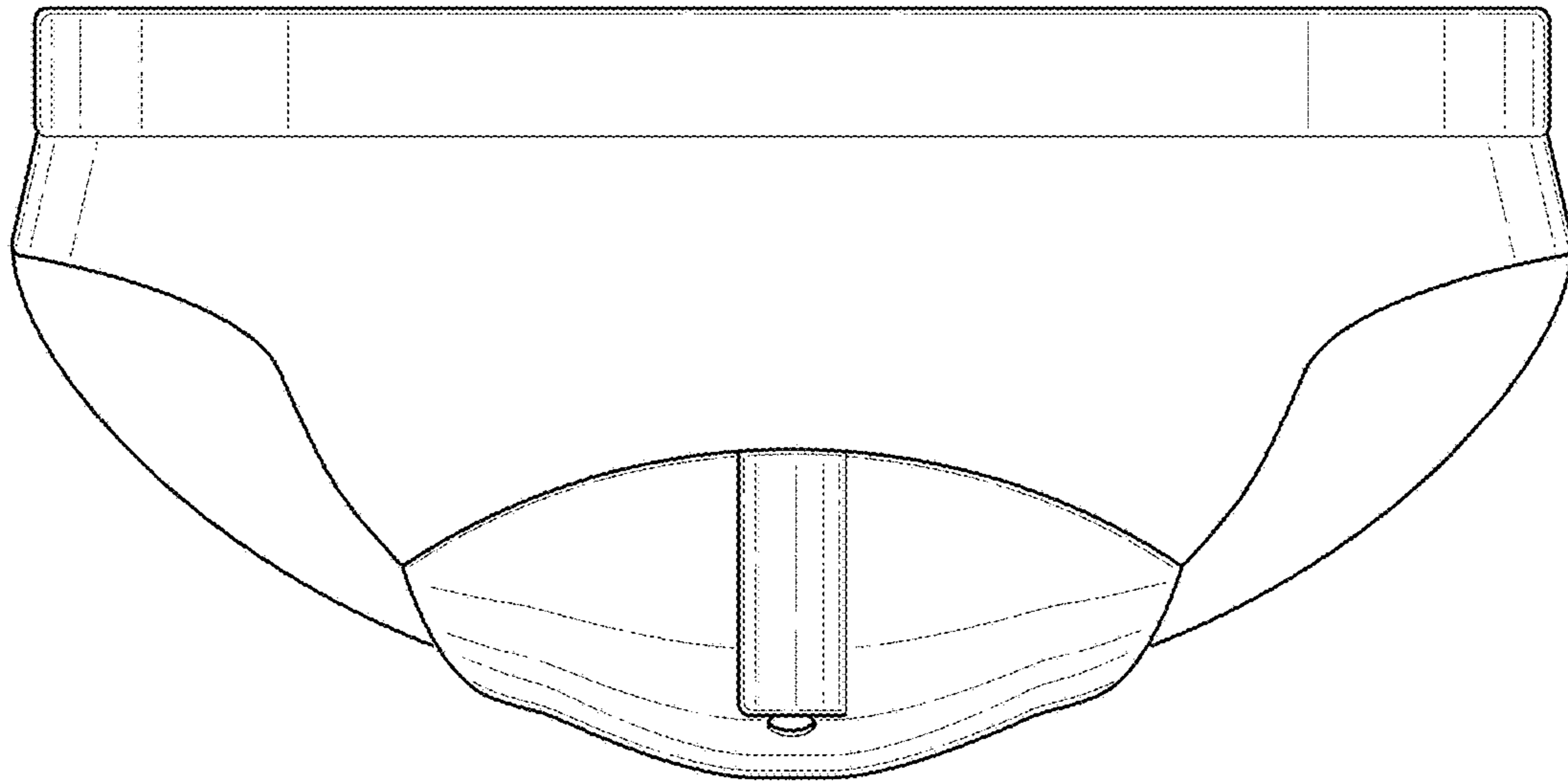


FIG. 3

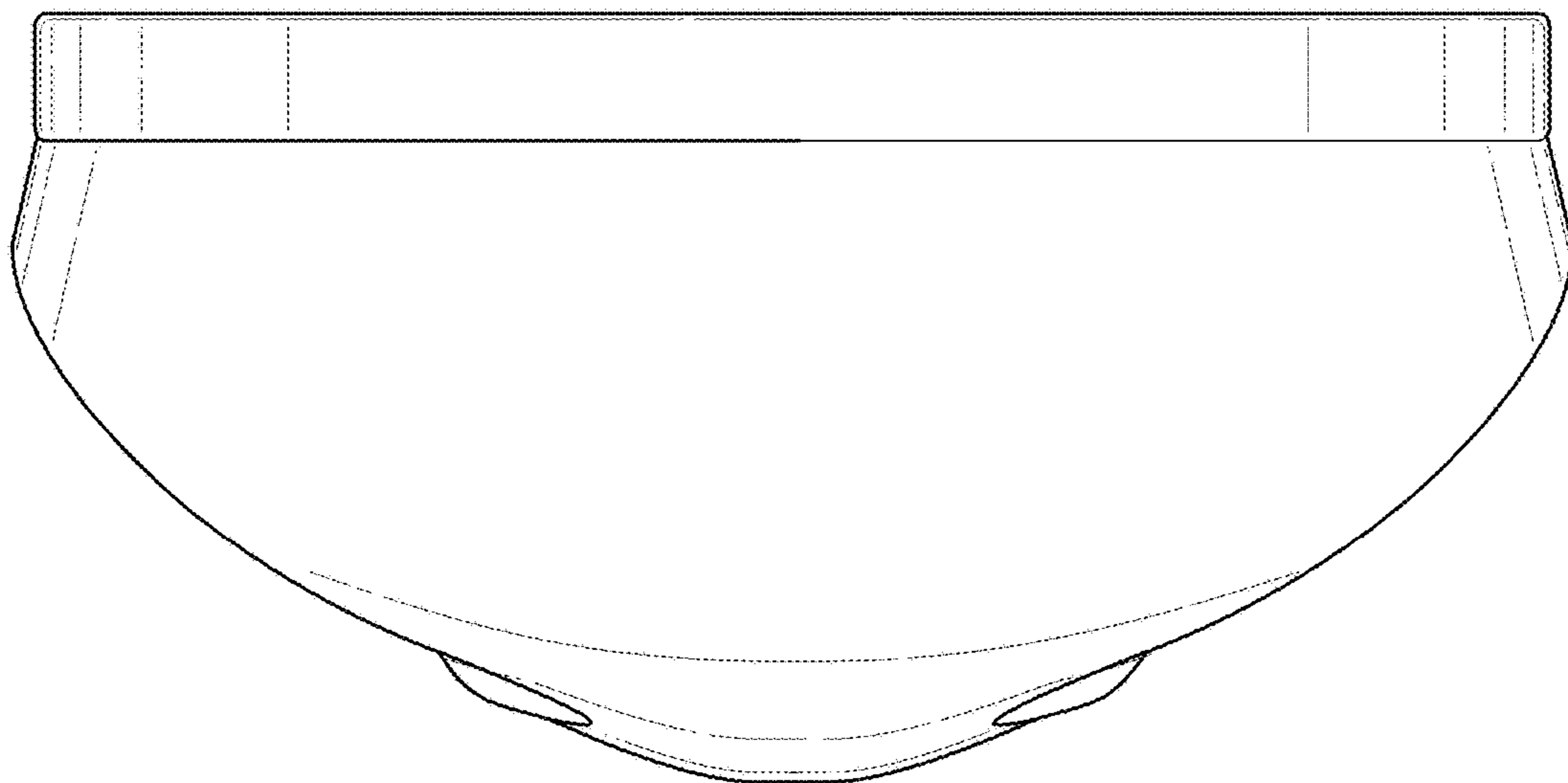


FIG. 4

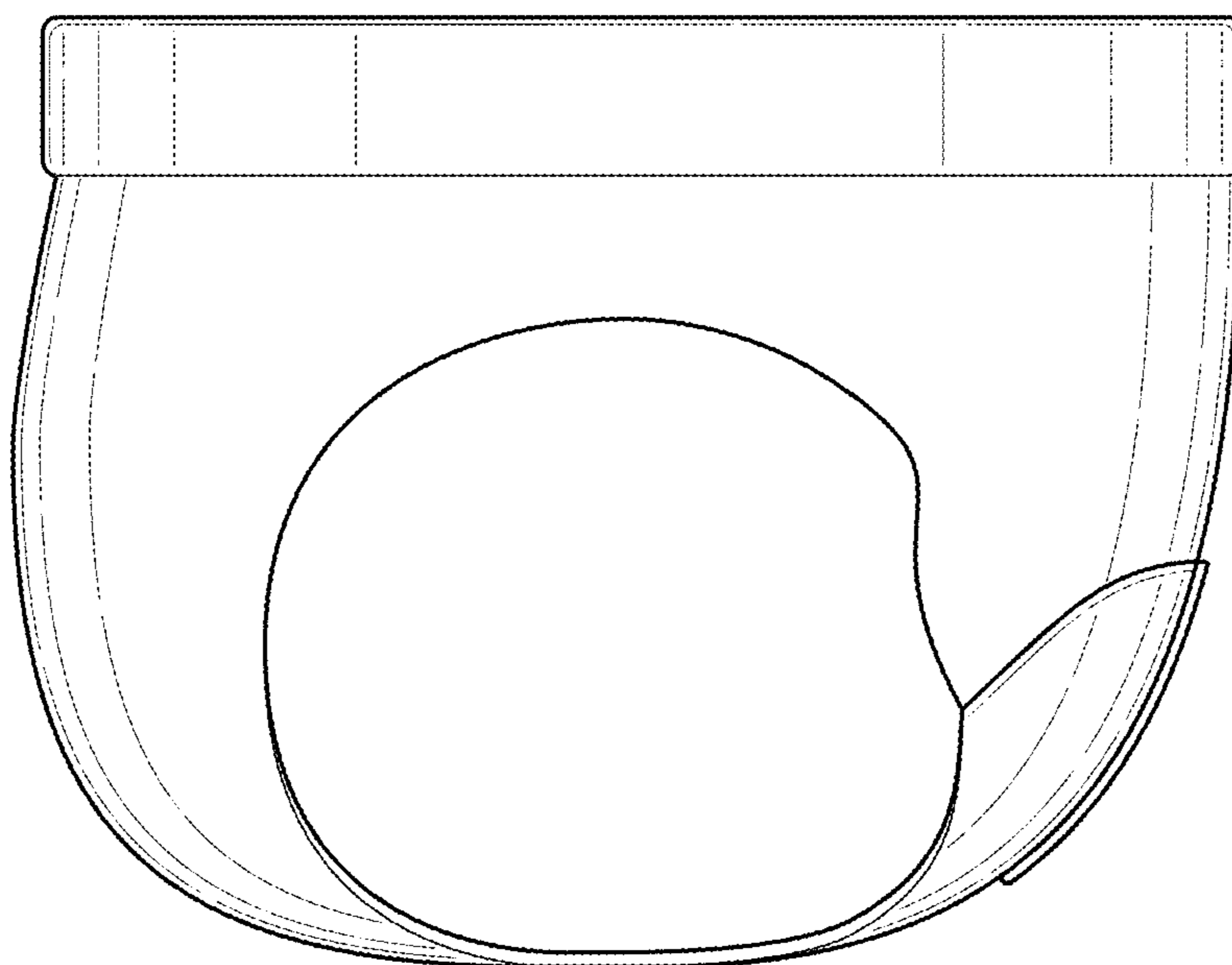


FIG. 5

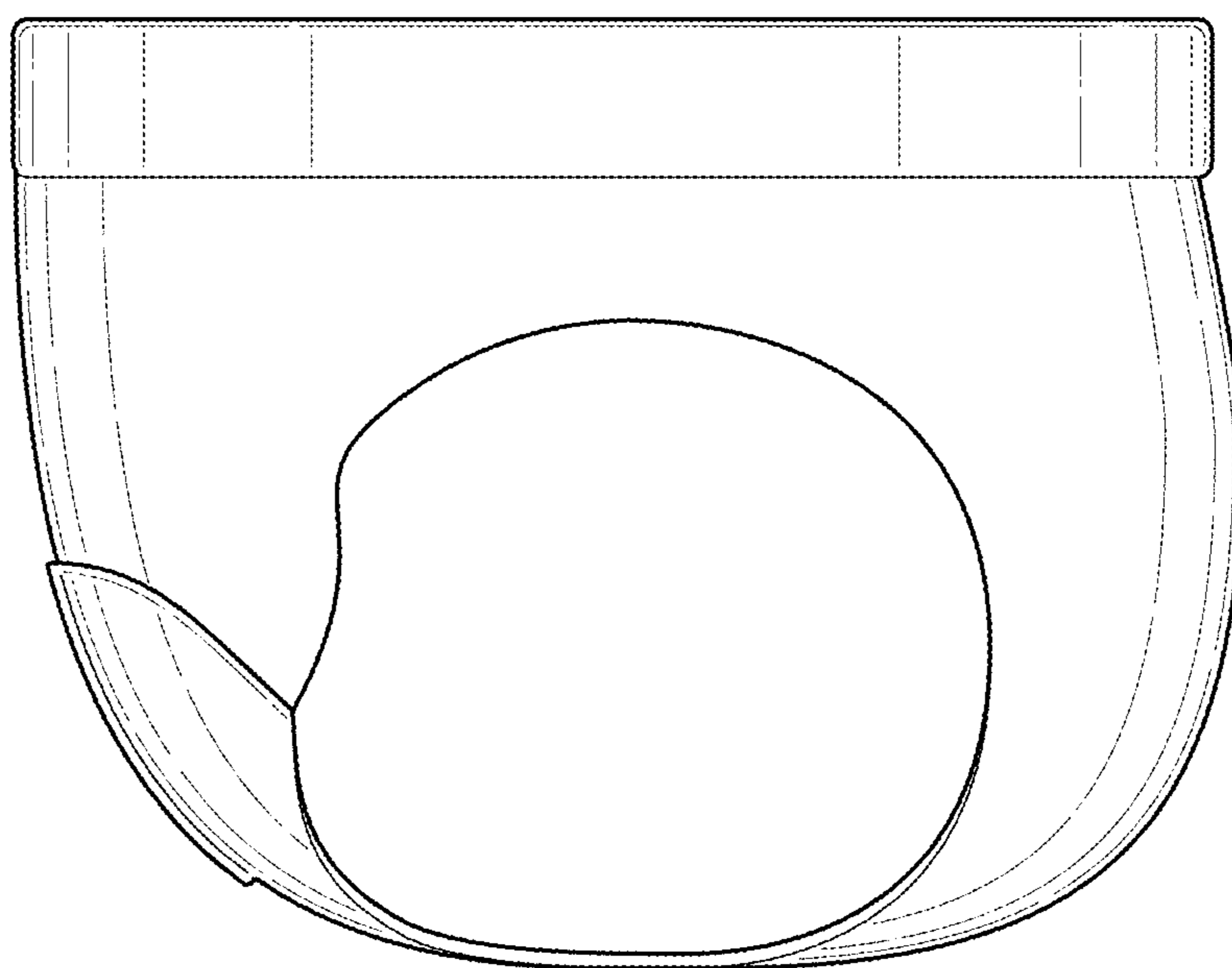


FIG. 6

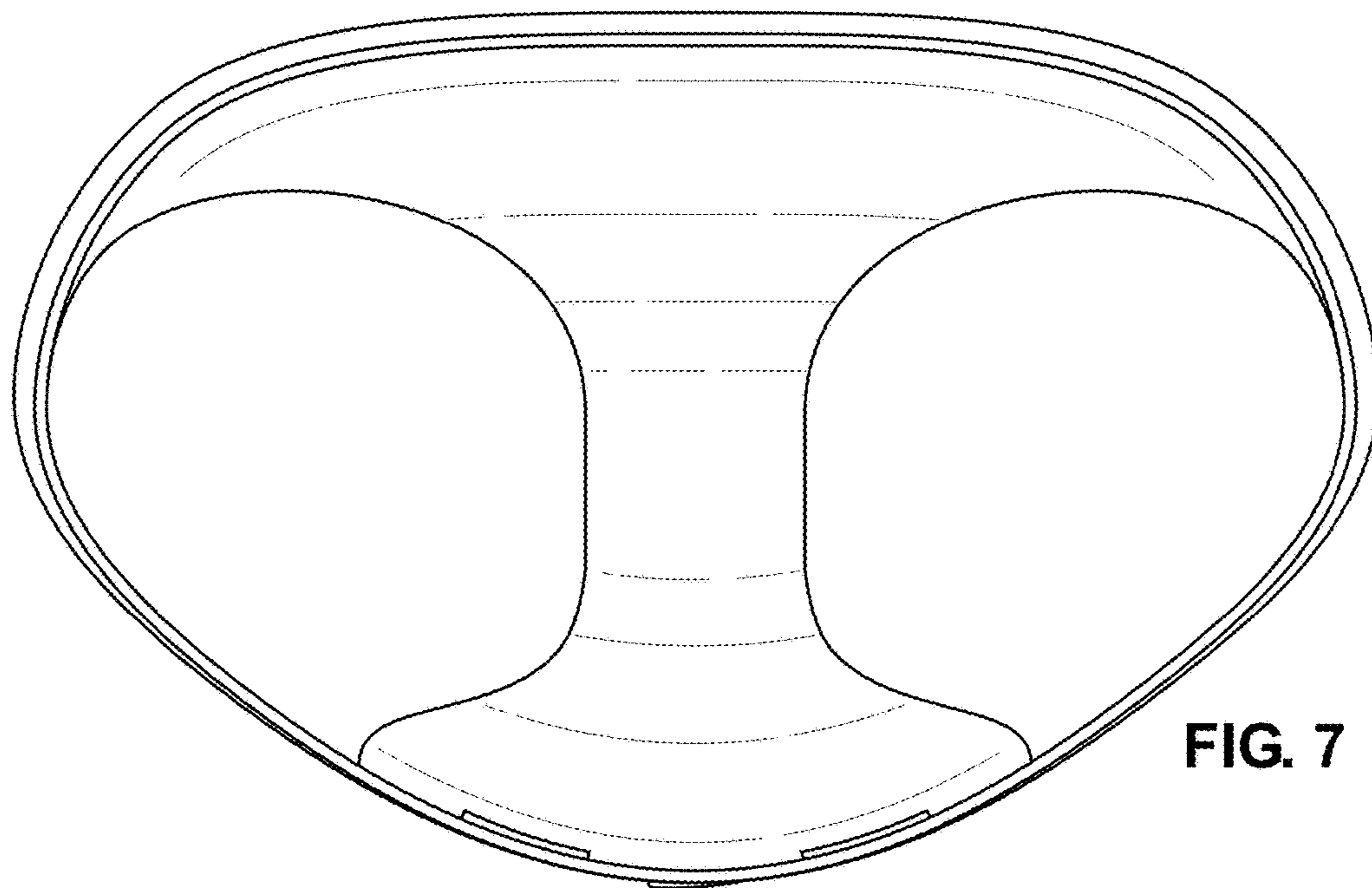


FIG. 7

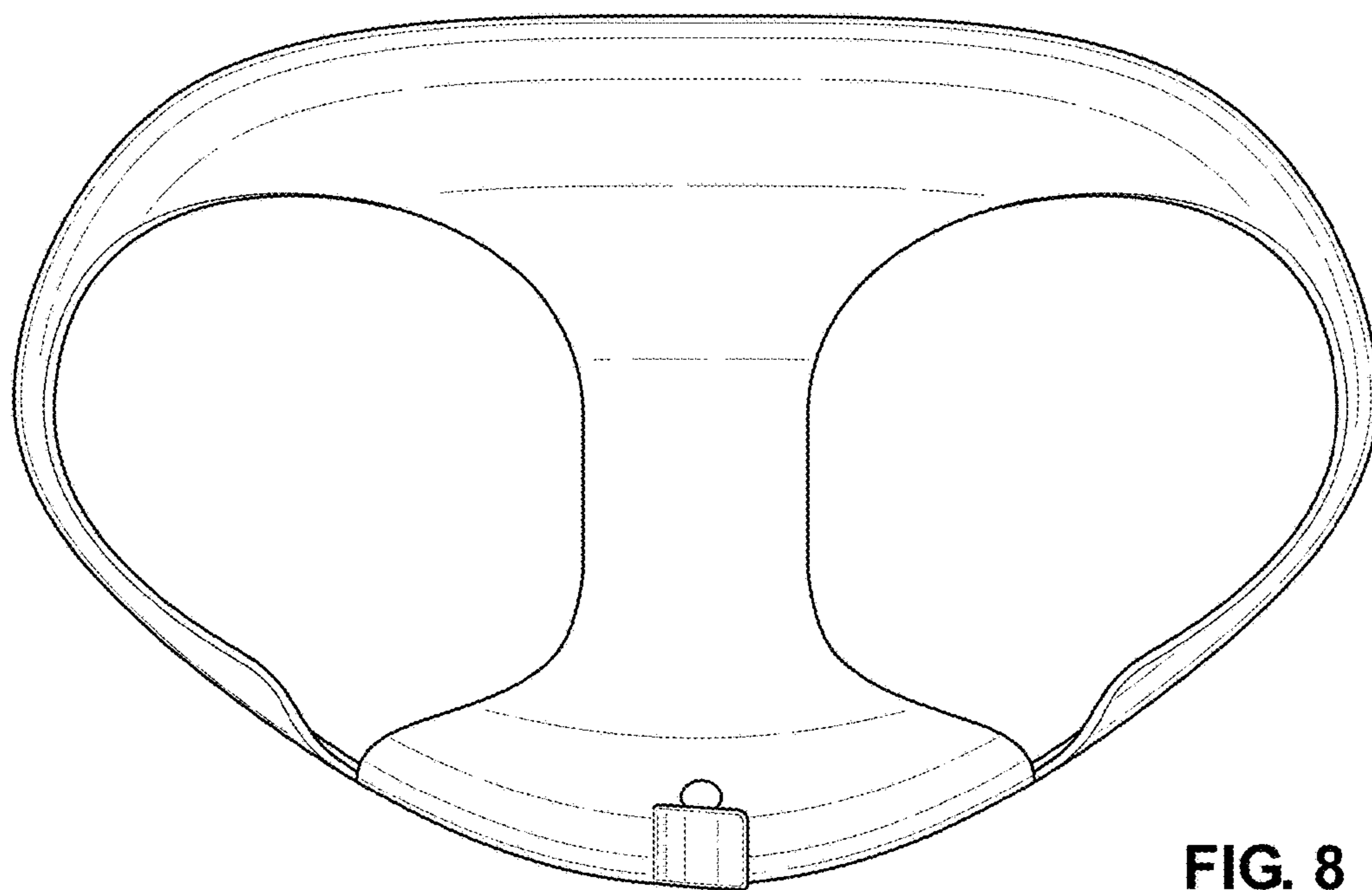


FIG. 8