



US00D829892S

(12) **United States Design Patent** (10) **Patent No.:** **US D829,892 S**
Brana (45) **Date of Patent:** **** Oct. 2, 2018**

(54) **EYEWASH ADAPTER**
(71) Applicant: **Jordan Brana**, Clearwater, FL (US)
(72) Inventor: **Jordan Brana**, Clearwater, FL (US)
(**) Term: **15 Years**
(21) Appl. No.: **29/586,858**
(22) Filed: **Dec. 7, 2016**
(51) **LOC (11) Cl.** **24-02**
(52) **U.S. Cl.**
USPC **D24/120**
(58) **Field of Classification Search**
USPC D24/110, 115, 116, 118, 121, 129, 120,
D24/127; D9/529, 435, 444, 558, 574,
D9/504, 516, 544, 549; 215/273, 283,
215/285, 329; 220/212
CPC A61F 9/0008; A61F 9/0026; A61F
2230/0091; A61F 2250/0004; B65D
47/18; A61H 35/025; A61M 35/003;
A61M 35/00
See application file for complete search history.

(56) **References Cited**
U.S. PATENT DOCUMENTS
D132,608 S * 6/1942 Steelman D24/120
D310,123 S * 8/1990 Carlson D23/200
D476,568 S * 7/2003 Mechtold D24/120
D694,402 S * 11/2013 Lensch D24/120
D694,403 S * 11/2013 Lensch D24/120
D809,656 S * 2/2018 Lau D24/129
D814,023 S * 3/2018 Burgman D24/120

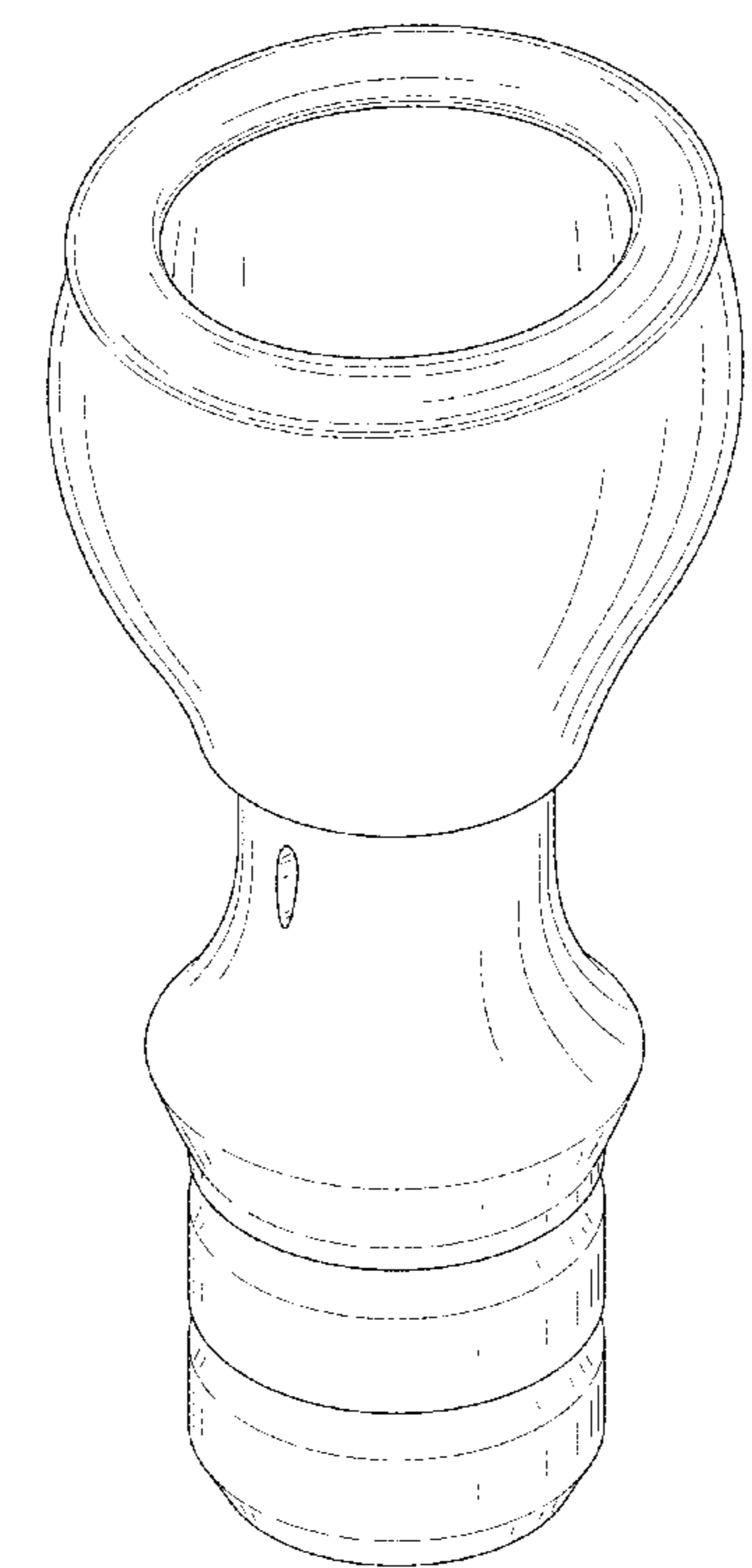
2006/0129113 A1* 6/2006 Merrick A61F 9/0026
604/294
2009/0218370 A1* 9/2009 Michels B67B 7/28
222/185.1
2013/0096517 A1* 4/2013 Leistner A61H 35/02
604/298

* cited by examiner
Primary Examiner — Cathron C Brooks
Assistant Examiner — Samantha Q. Lawrence
(74) *Attorney, Agent, or Firm* — Larson & Larson, P.A.;
Justin P. Miller; Frank Liebenow

(57) **CLAIM**
I claim the ornamental design for a eyewash adapter, as shown and described.

DESCRIPTION
FIG. 1 is a perspective view of an eyewash adapter showing my new design;
FIG. 2 is a left-side elevation view thereof; the right-side being a mirror image;
FIG. 3 is a front elevation view thereof, the rear elevation being a mirror image;
FIG. 4 is a top plan view thereof;
FIG. 5 is a bottom plan view thereof;
FIG. 6 is a cross-sectional view thereof taken along line 6-6 of FIG. 4; and,
FIG. 7 is a perspective view showing the design in use. The broken lines depicting a water bottle in FIG. 7 are for the purpose of illustrating environmental structure and form no part of the claimed design.

1 Claim, 6 Drawing Sheets



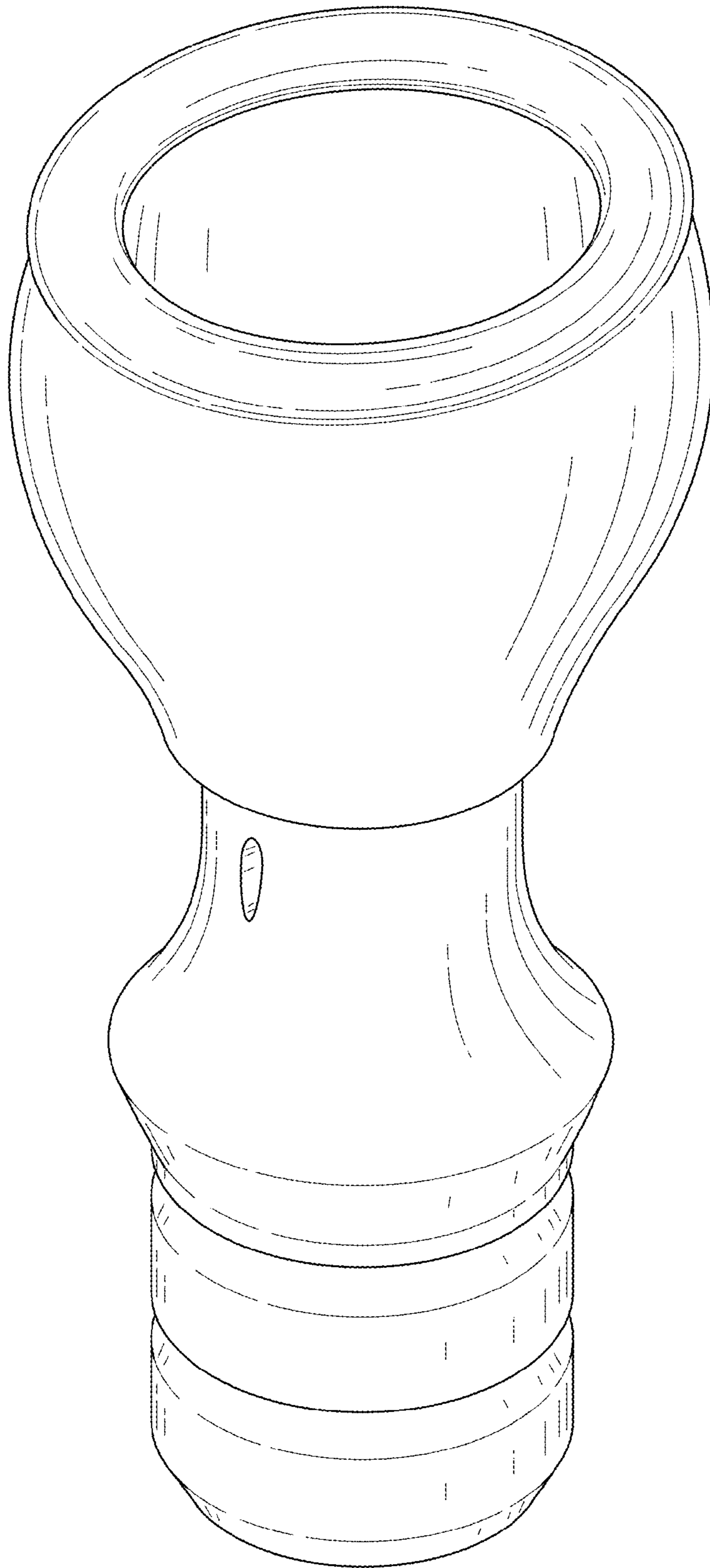


FIG. 1

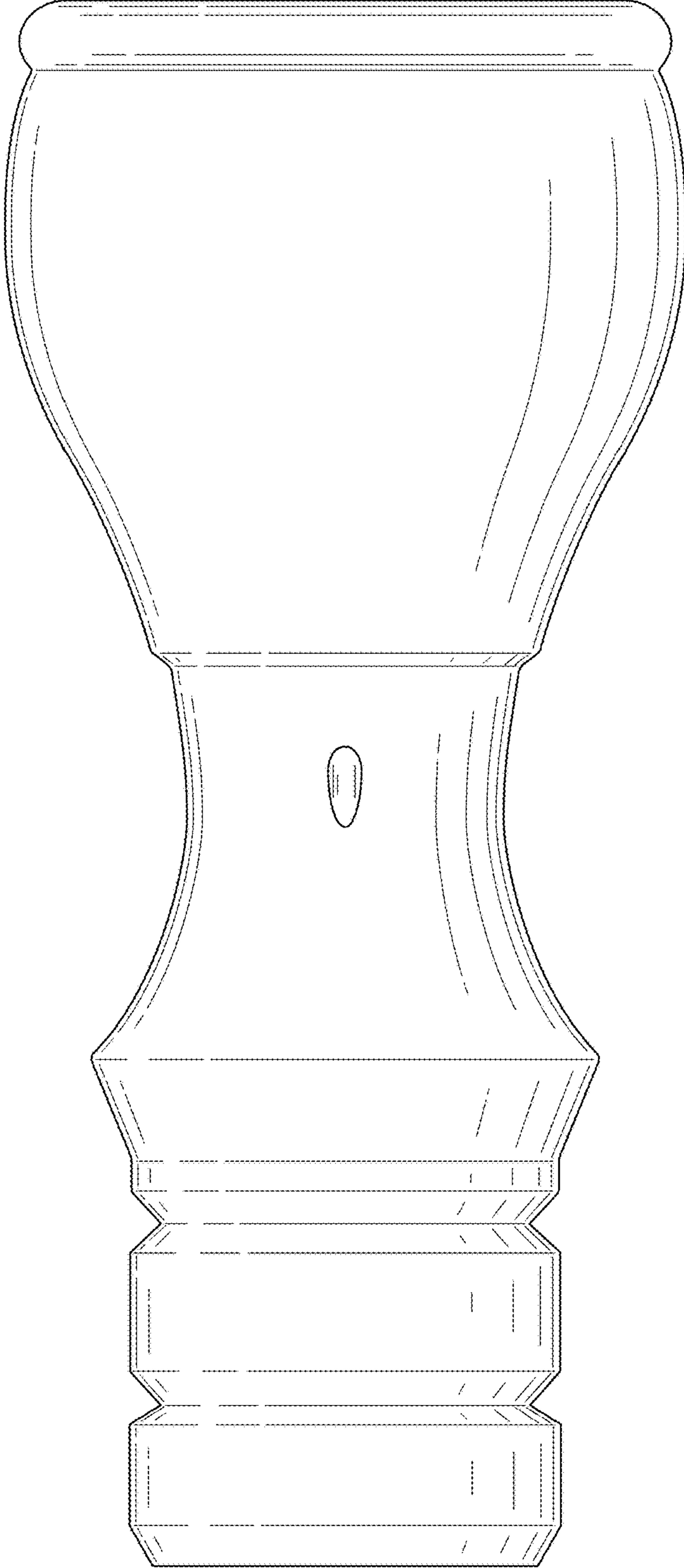


FIG. 2

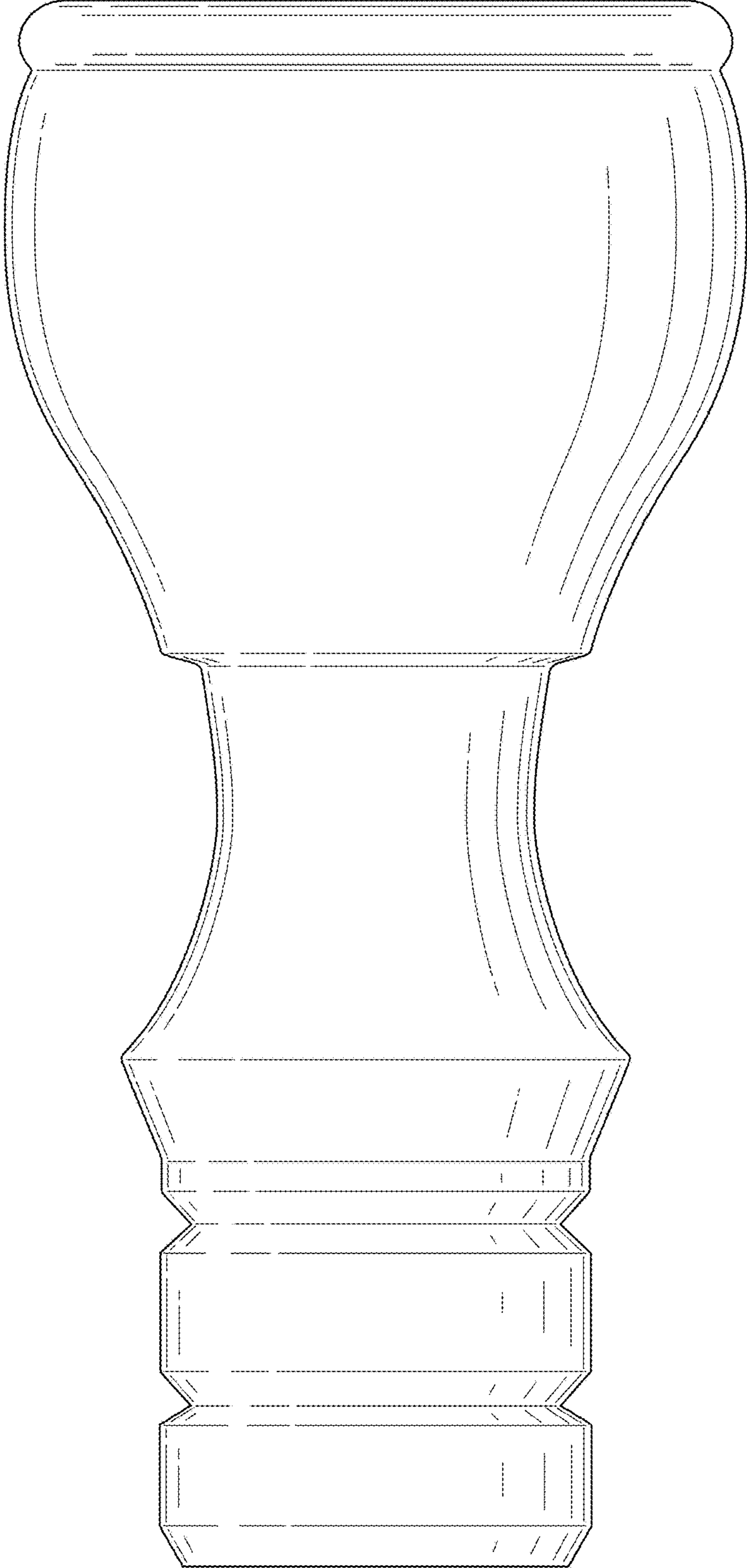


FIG. 3

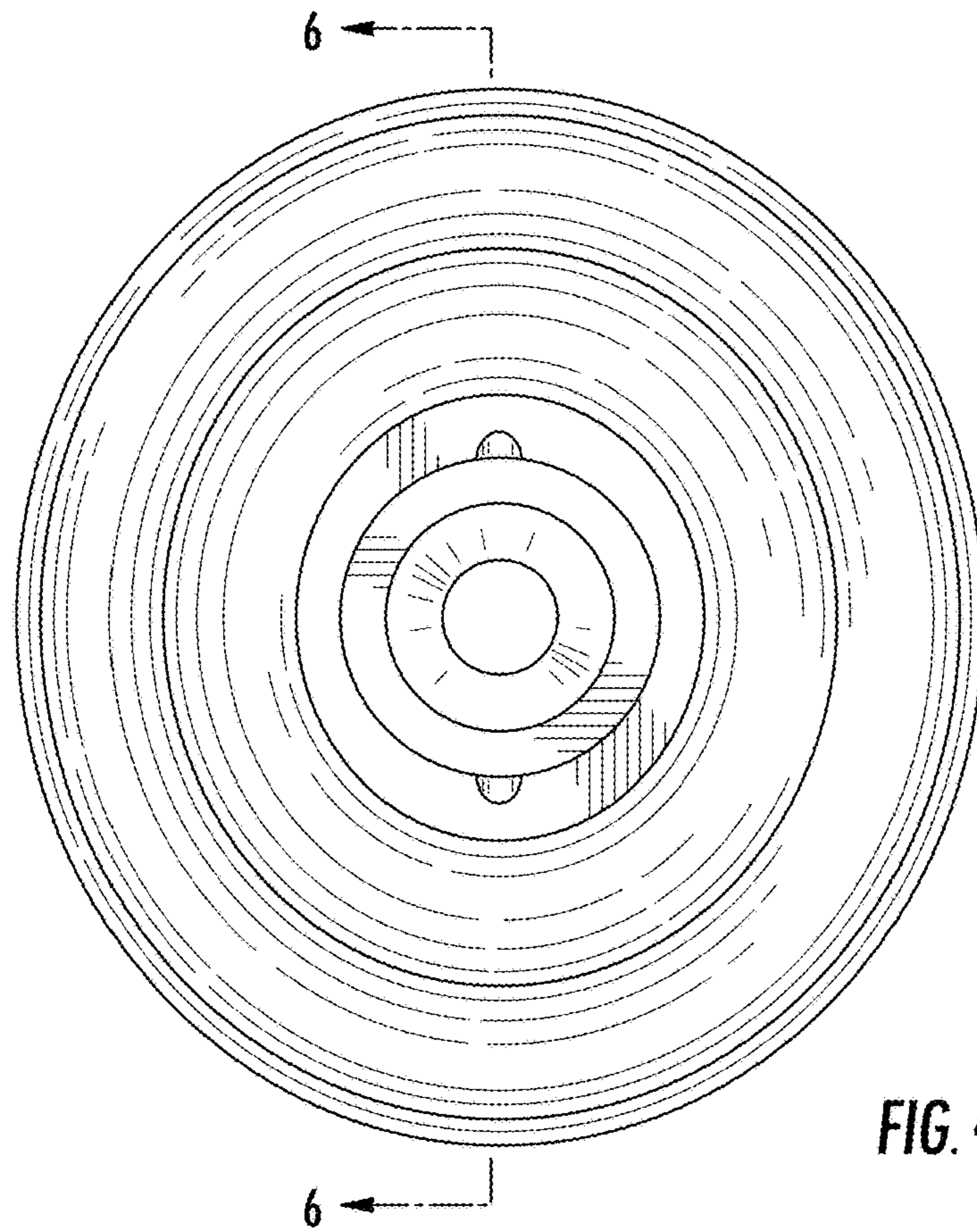


FIG. 4

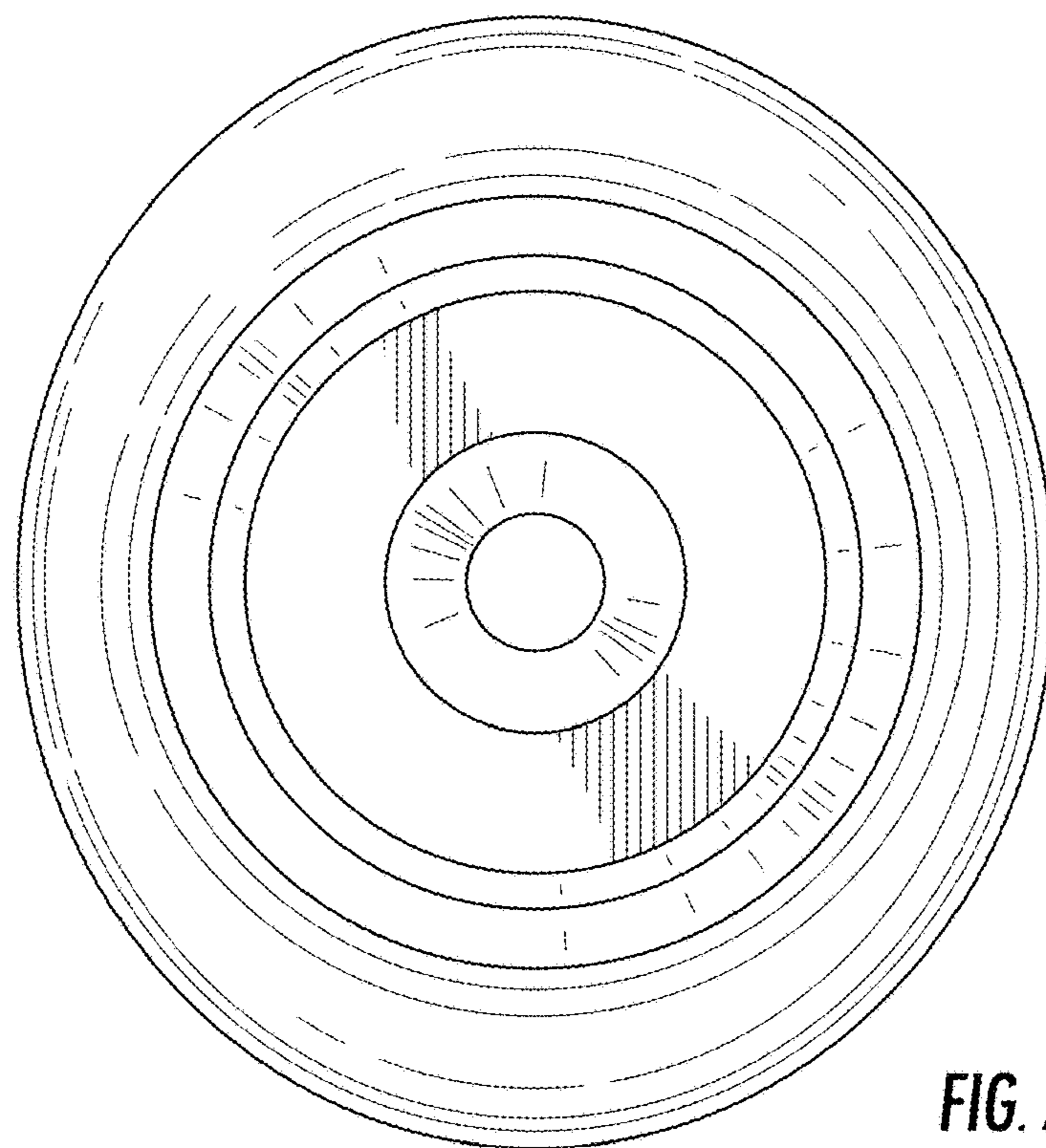


FIG. 5

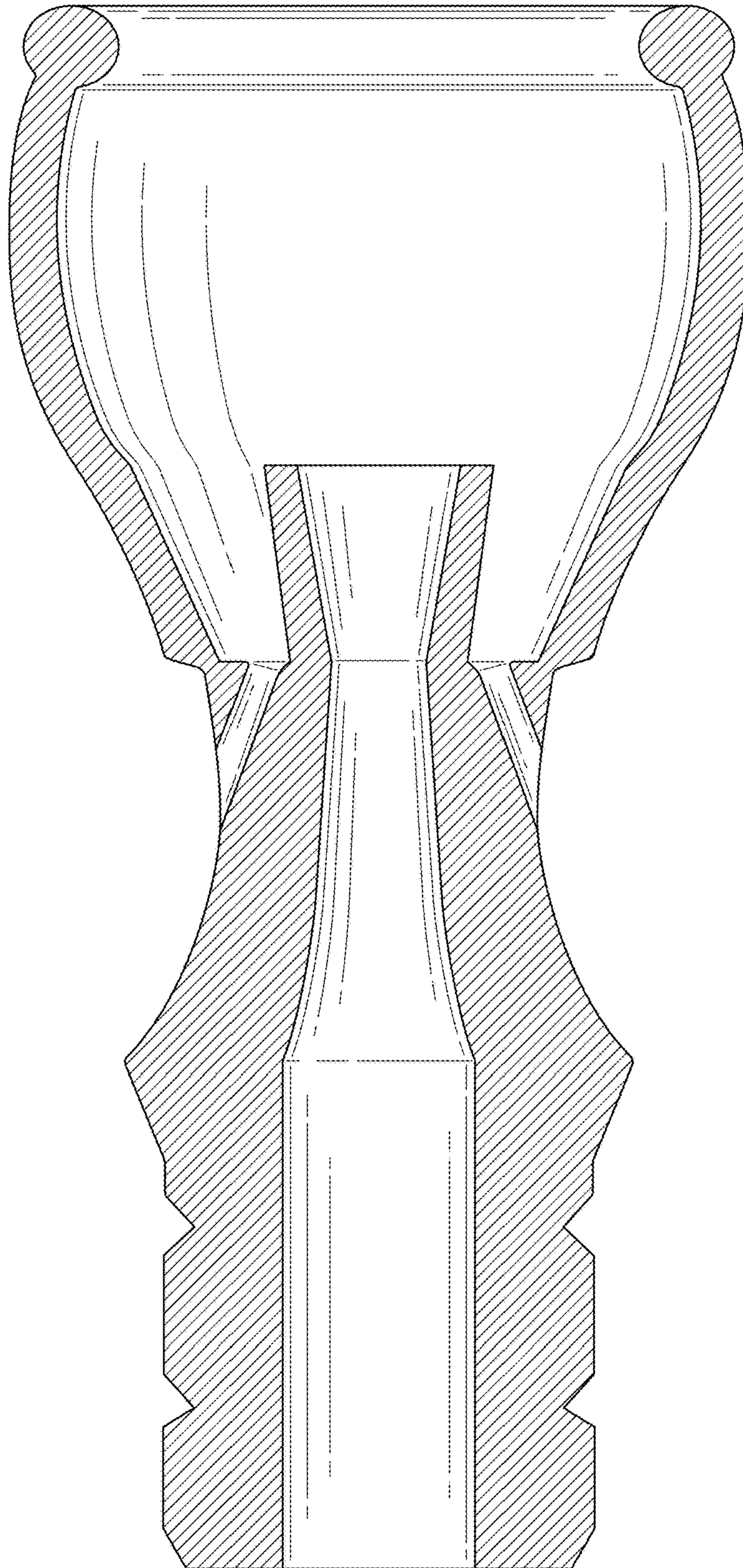


FIG. 6

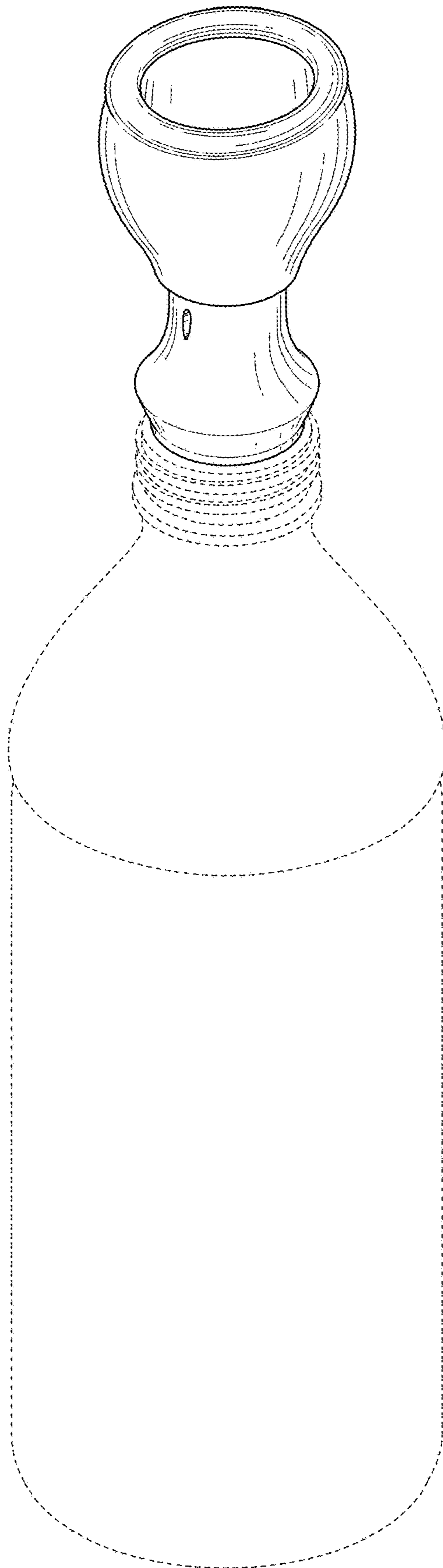


FIG. 7