

US00D829888S

(12) **United States Design Patent**  
**Xie et al.**

(10) **Patent No.:** **US D829,888 S**  
(45) **Date of Patent:** **\*\* Oct. 2, 2018**

- (54) **RECONSTITUTION AND DELIVERY DEVICE**
- (71) Applicant: **Guangzhou Bioseal Biotech Co., Ltd.**, Guangzhou (CN)
- (72) Inventors: **Shiwei Xie**, Foshan (CN); **Michael J. Trezza, II**, Long Valley, NJ (US); **John Goodman**, Ann Arbor, MI (US); **Jared Schneider**, Raritan, NJ (US)
- (73) Assignee: **Guangzhou Bioseal Biotech Co., Ltd.**, Guangzhou Science (CN)
- (\*\*) Term: **15 Years**
- (21) Appl. No.: **29/549,421**
- (22) Filed: **Dec. 22, 2015**
- (51) **LOC (11) Cl.** ..... **24-02**
- (52) **U.S. Cl.**  
USPC ..... **D24/112**
- (58) **Field of Classification Search**  
USPC ..... D24/112–114, 133, 186, 104, 127, 130; 606/181, 185; 604/264, 272, 115, 232, 604/187, 158, 164.08, 192, 263, 163, 181, 604/184, 198, 227  
CPC ..... A61J 1/2096; A61J 1/201; A61M 5/2448  
See application file for complete search history.

(56) **References Cited**

**U.S. PATENT DOCUMENTS**

5,116,315	A *	5/1992	Capozzi	.....	A61B 17/00491	222/137
5,290,259	A *	3/1994	Fischer	.....	A61M 5/19	222/137
5,376,079	A *	12/1994	Holm	.....	A61M 5/19	604/191
5,605,255	A	2/1997	Reidel et al.			
6,063,055	A	5/2000	Epstein et al.			
6,116,900	A	9/2000	Ostler			

6,132,396	A	10/2000	Antanavich et al.			
6,290,101	B1 *	9/2001	Chang	.....	B05C 17/01	222/137
6,610,033	B1	8/2003	Melanson et al.			
6,716,195	B2 *	4/2004	Nolan, Jr.	.....	A61M 5/14566	604/131
7,635,343	B2	12/2009	McIntosh et al.			
D653,325	S *	1/2012	Cheesman	.....	D24/110	
8,240,511	B2 *	8/2012	Greter	.....	A61B 17/00491	222/137
8,417,320	B2 *	4/2013	Martz	.....	A61M 5/007	600/432
8,419,722	B2	4/2013	Richards et al.			
8,506,547	B2	8/2013	Sharratt et al.			
8,974,424	B2 *	3/2015	Soma	.....	A61M 5/315	604/187
9,131,930	B2	9/2015	Greter			
9,174,001	B2 *	11/2015	Kirk	.....	A61M 5/2448	
9,220,846	B2 *	12/2015	Jones	.....	A61M 5/19	

(Continued)

*Primary Examiner* — David Muller

*Assistant Examiner* — Nathan Johnston

(74) *Attorney, Agent, or Firm* — David Crichton

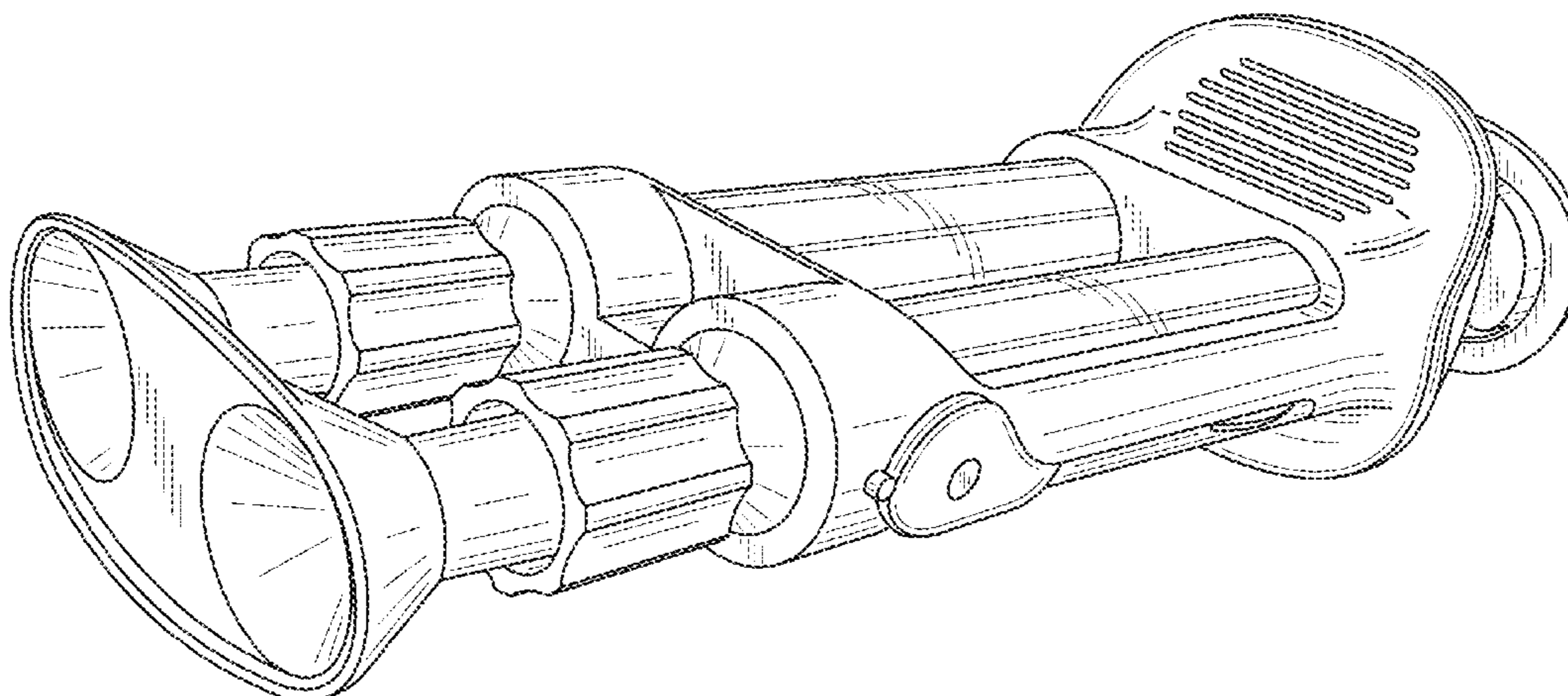
(57) **CLAIM**

The ornamental design for a reconstitution and delivery device, as shown and described.

**DESCRIPTION**

FIG. 1 is a perspective view of a reconstitution and delivery device, showing our new design;  
 FIG. 2 is a top plan view thereof;  
 FIG. 3 is a side elevation view thereof;  
 FIG. 4 is a bottom plan view thereof;  
 FIG. 5 is a front elevation view thereof;  
 FIG. 6 is a rear elevation view thereof; and,  
 FIG. 7 is a perspective view of the reconstitution device shown in FIG. 1 in standing position.  
 The broken lines show portions of the design that form no part of the claimed design.

**1 Claim, 6 Drawing Sheets**



(56)

**References Cited**

U.S. PATENT DOCUMENTS

9,333,303 B2 5/2016 Leak et al.  
2003/0120212 A1\* 6/2003 Dedig ..... A61M 5/14546  
604/151  
2013/0312868 A1\* 11/2013 Ilan ..... C07K 14/75  
141/4  
2013/0325059 A1 12/2013 O'Neill

\* cited by examiner

FIG. 1

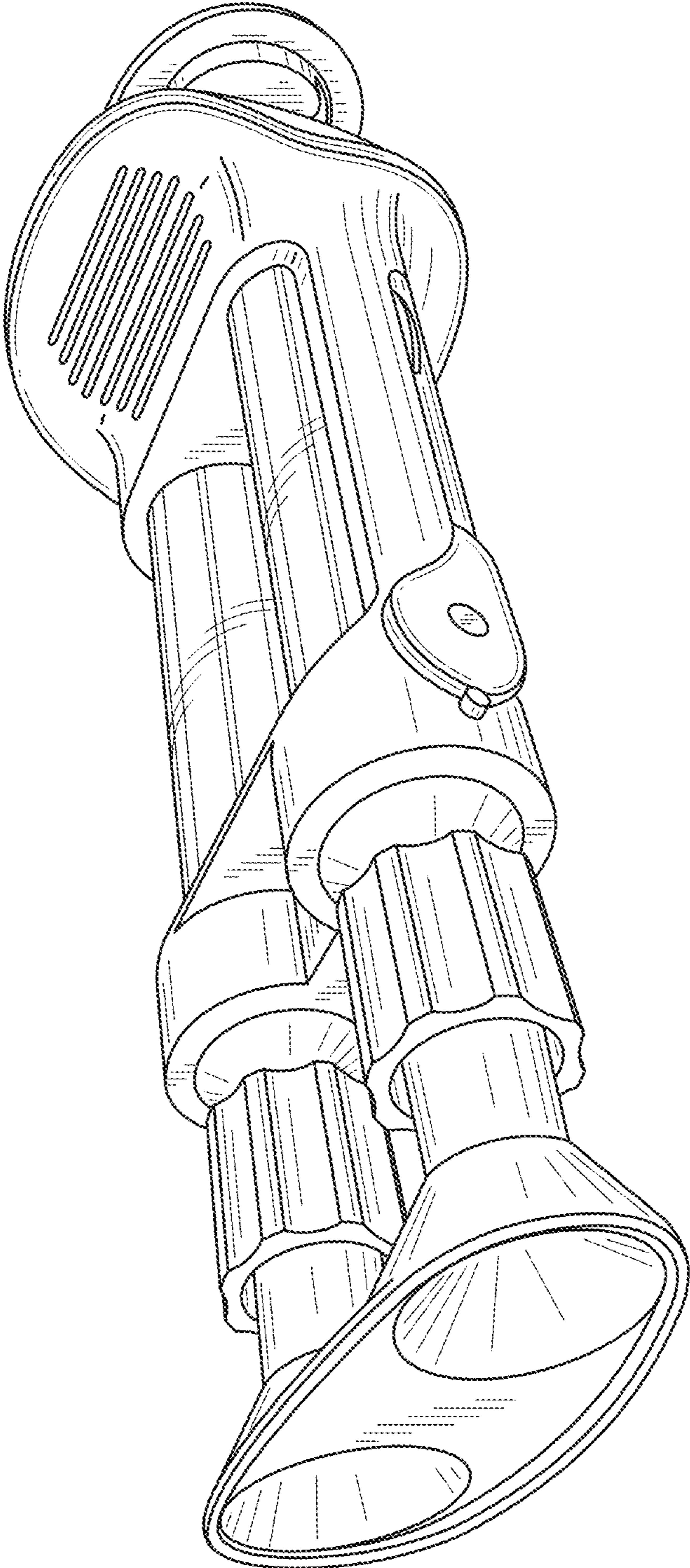


FIG. 2

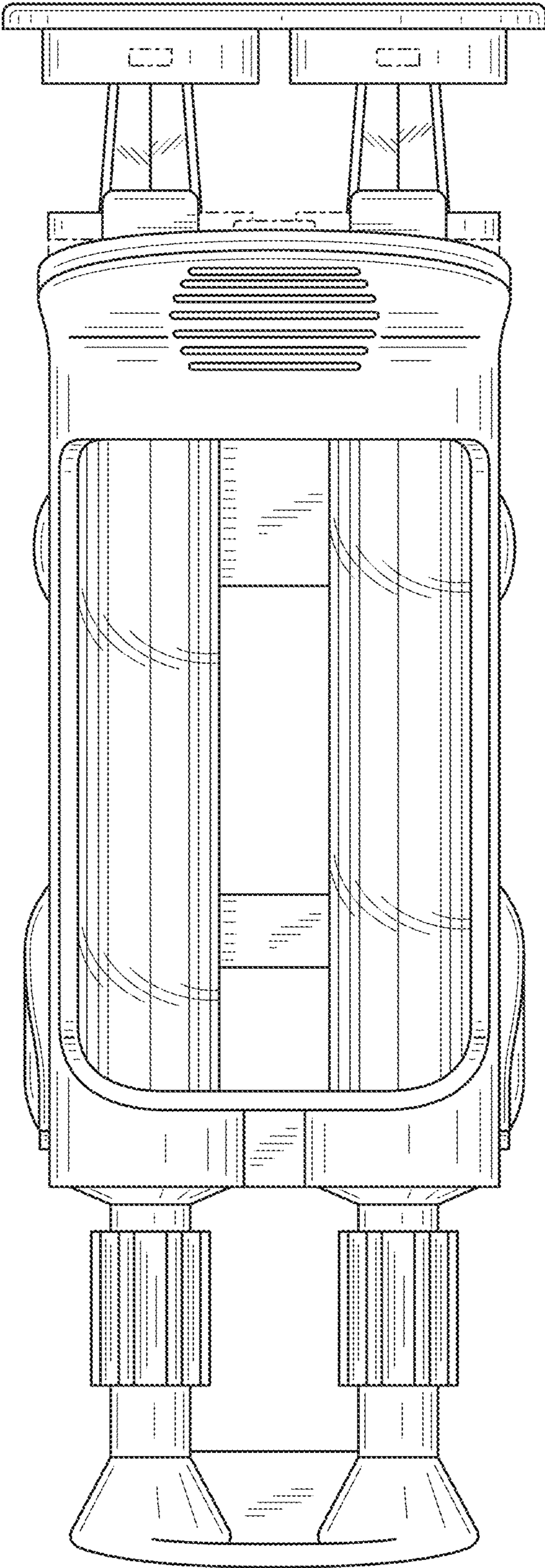
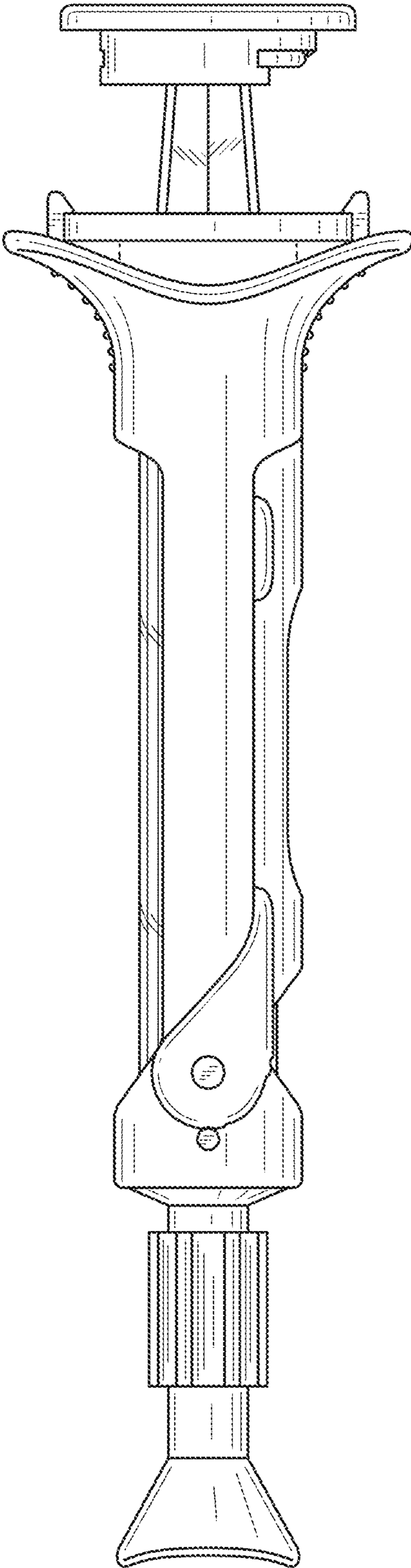
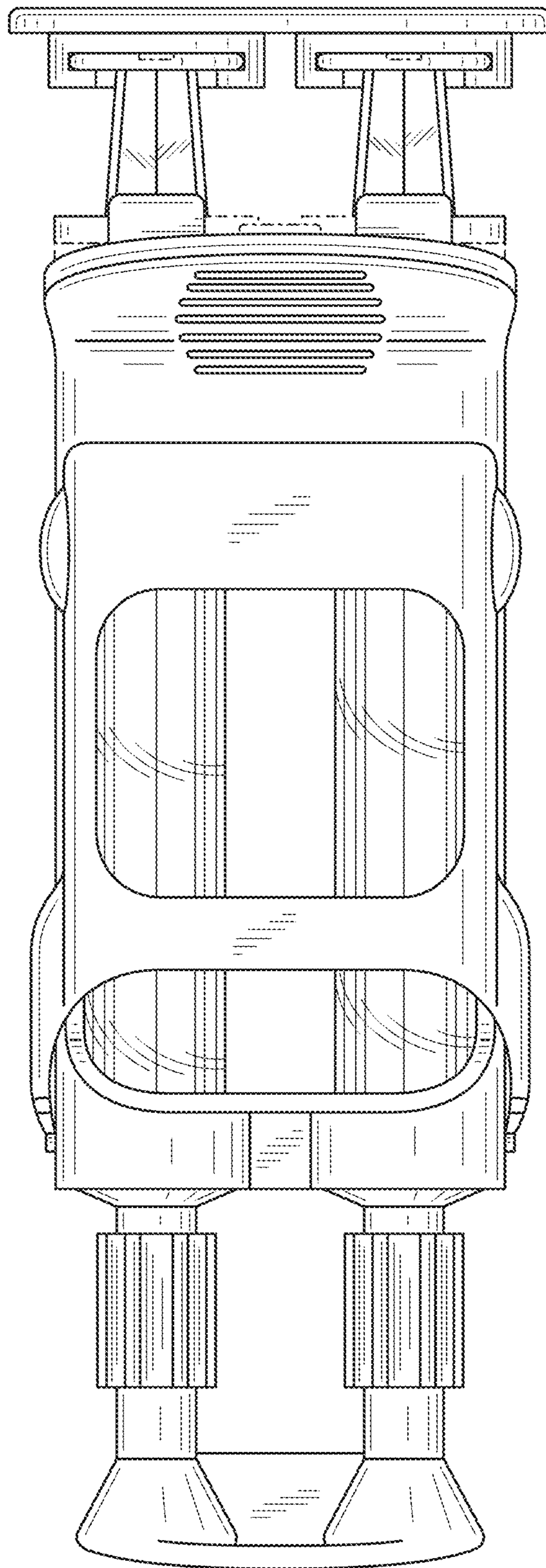


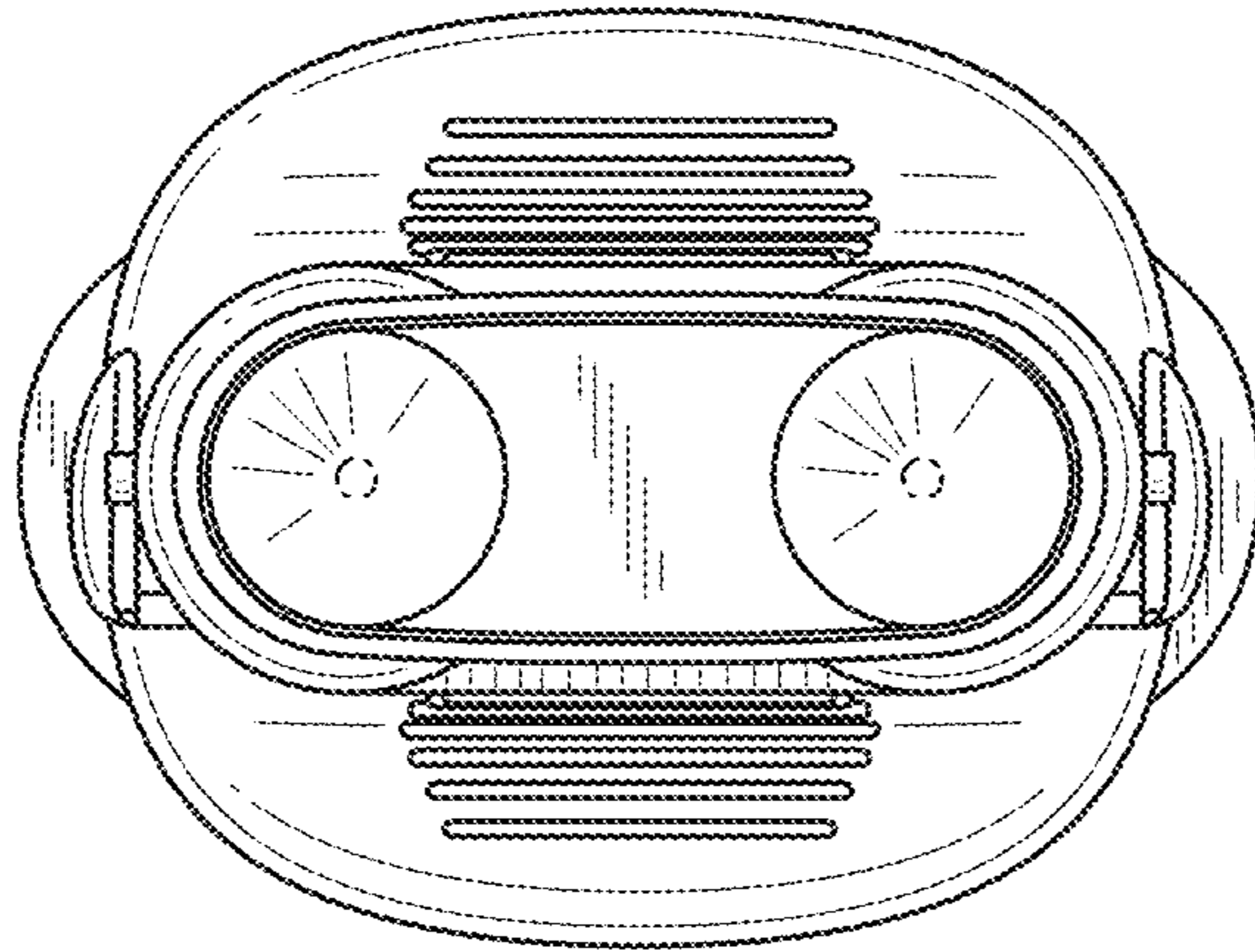
FIG. 3



**FIG. 4**



**FIG. 5**



**FIG. 6**

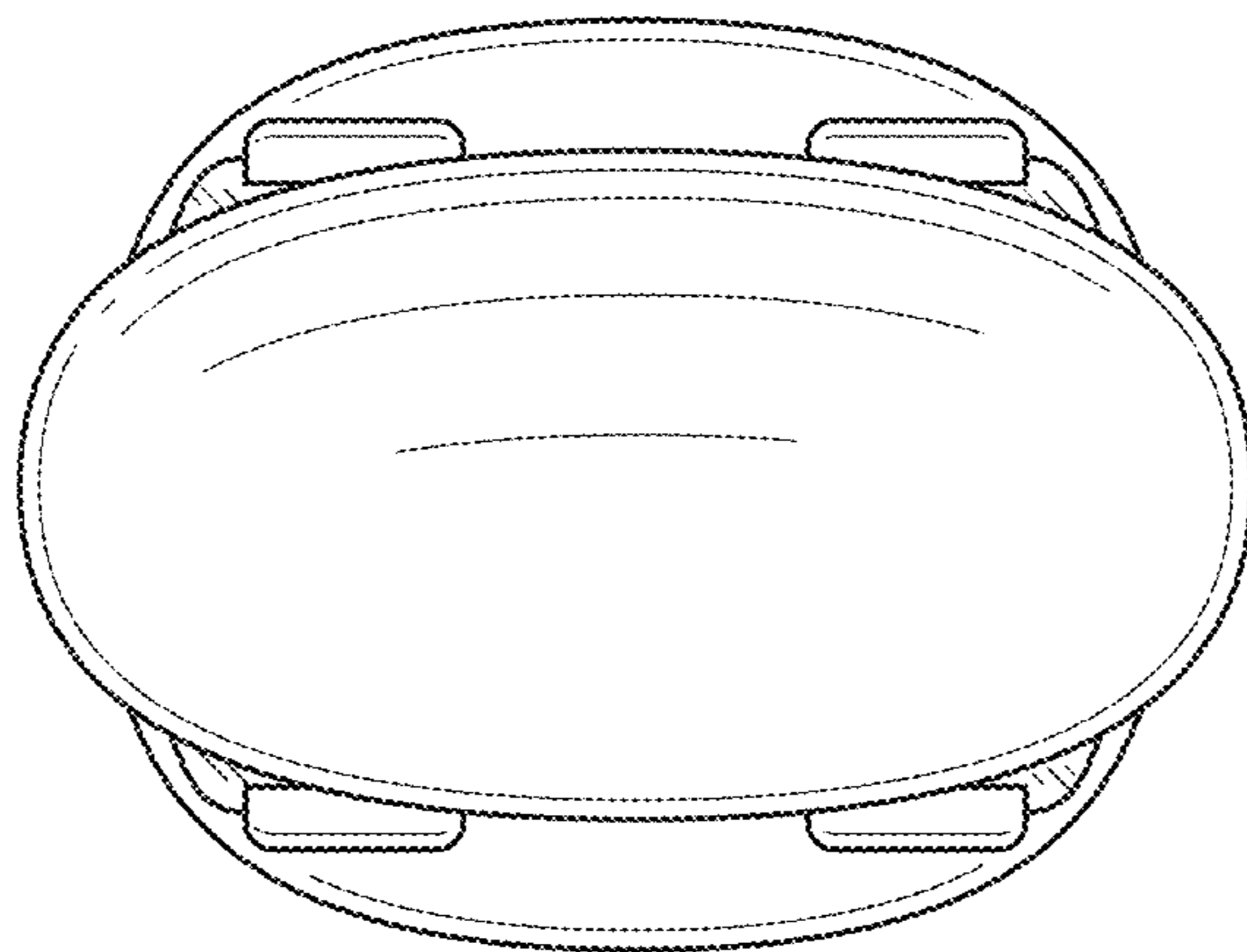


FIG. 7

