



US00D829885S

(12) **United States Design Patent**  
**Apelstedt et al.**

(10) **Patent No.: US D829,885 S**  
(45) **Date of Patent: \*\* Oct. 2, 2018**

(54) **MONITORING DEVICE**

(71) Applicant: **Monivent AB**, Göteborg (SE)

(72) Inventors: **Kristoffer Apelstedt**, Jönköping (SE);  
**Maria Lindqvist**, Göteborg (SE)

(73) Assignee: **Monivent AB**, Göteborg (SE)

(\*\*) Term: **15 Years**

(21) Appl. No.: **29/600,290**

(22) Filed: **Apr. 11, 2017**

(30) **Foreign Application Priority Data**

Oct. 26, 2016 (EM) ..... 0034357158

(51) **LOC (11) Cl.** ..... **24-02**

(52) **U.S. Cl.**  
USPC ..... **D24/110**

(58) **Field of Classification Search**

USPC ..... D24/110, 110.1, 110.4, 110.5, 110.6

CPC ..... A61M 16/0003; A61M 16/06; A61M

16/0078; A61M 16/0084; A61M 2240/00;

A61M 2016/003; A61M 2205/15; A61M

2205/587; A61M 2205/60; A61M

2205/3584; A61M 2205/8206; A61M

2205/52; A61M 2205/502; A61M

2016/0027; A61B 5/091; A61B 5/6803;

A61B 2506/04; A61B 2560/0443

See application file for complete search history.

(56) **References Cited**

U.S. PATENT DOCUMENTS

9,872,097 B2\* 1/2018 Lee ..... H04R 1/1016  
2017/0049978 A1\* 2/2017 Berg ..... A61M 16/0078

\* cited by examiner

*Primary Examiner* — Antoine Duval Davis

(74) *Attorney, Agent, or Firm* — RMCK Law Group PLC

(57) **CLAIM**

The ornamental design for a monitoring device, as shown and described.

**DESCRIPTION**

FIG. 1 is a perspective view of a monitoring device showing a fifth embodiment of my new design.

FIG. 2 is a top view of the monitoring device of FIG. 1.

FIG. 3 is a bottom view of the monitoring device of FIG. 1.

FIG. 4 is a first side view of the monitoring device of FIG. 1.

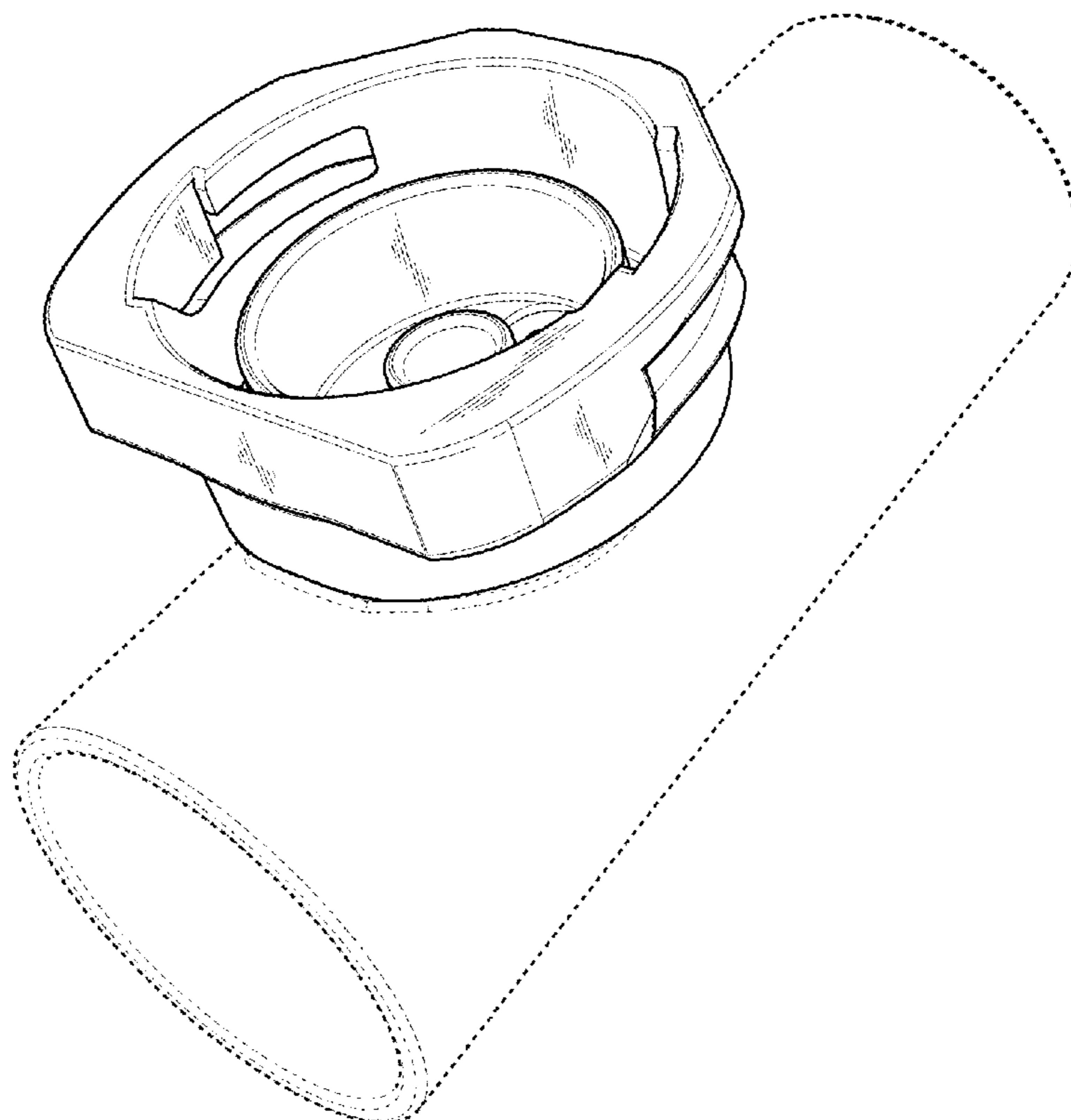
FIG. 5 is a second side view of the monitoring device of FIG. 1.

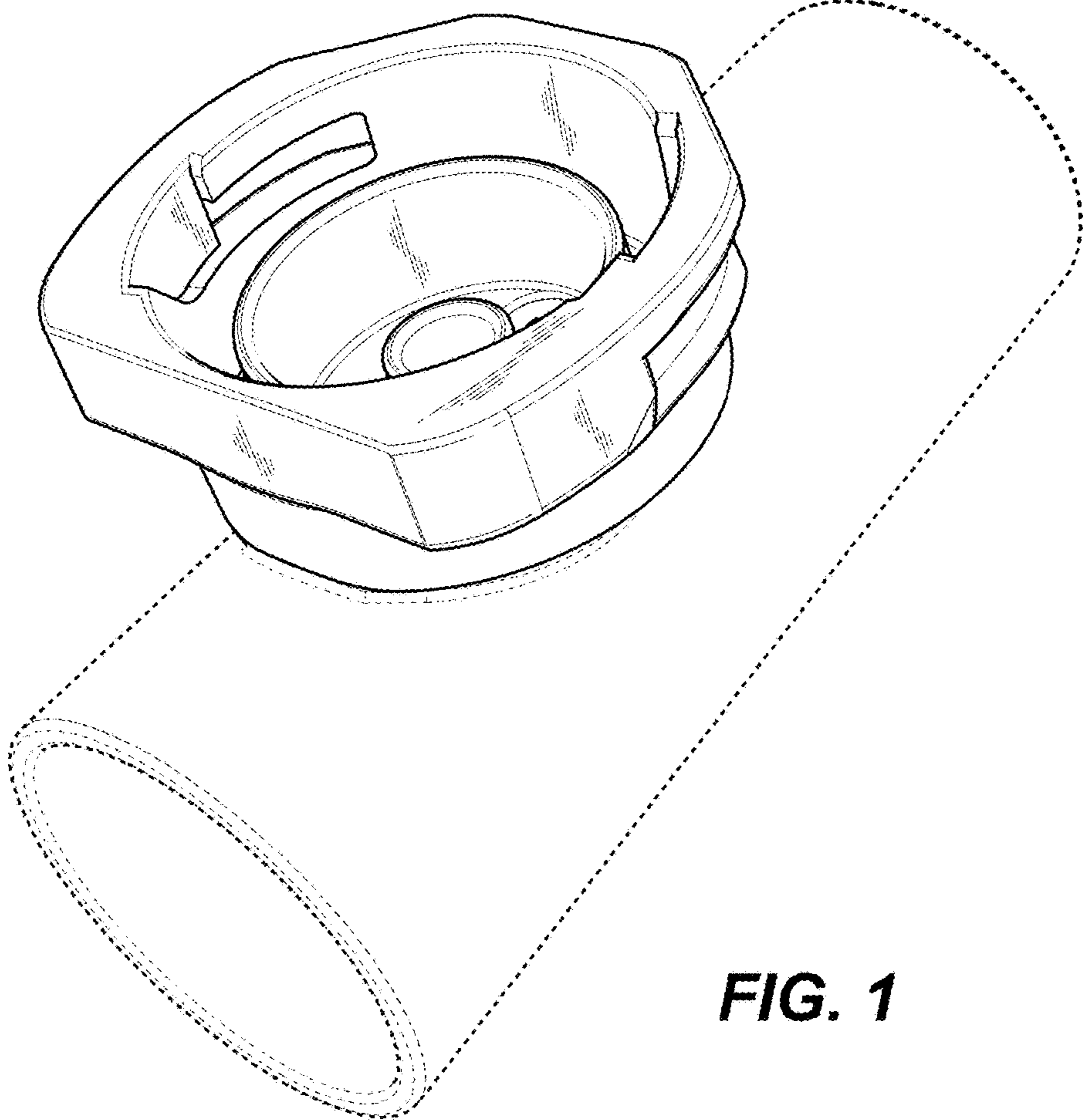
FIG. 6 is a front view of the monitoring device of FIG. 1; and,

FIG. 7 is a rear view of the monitoring device of FIG. 1.

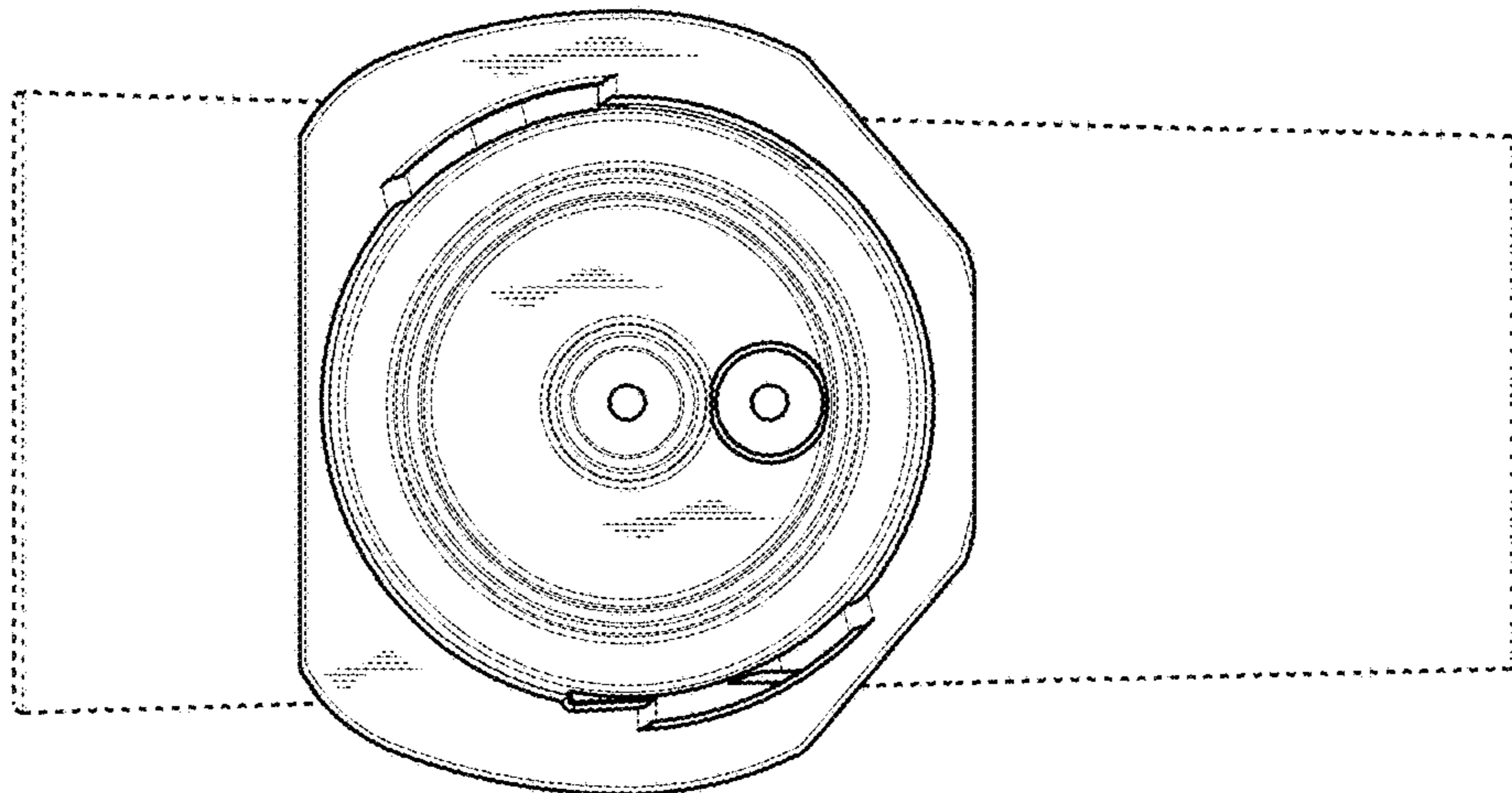
The broken line showing of a monitoring device is included for the purpose of illustrating environmental subject matter and forms no part of the claimed design.

**1 Claim, 4 Drawing Sheets**

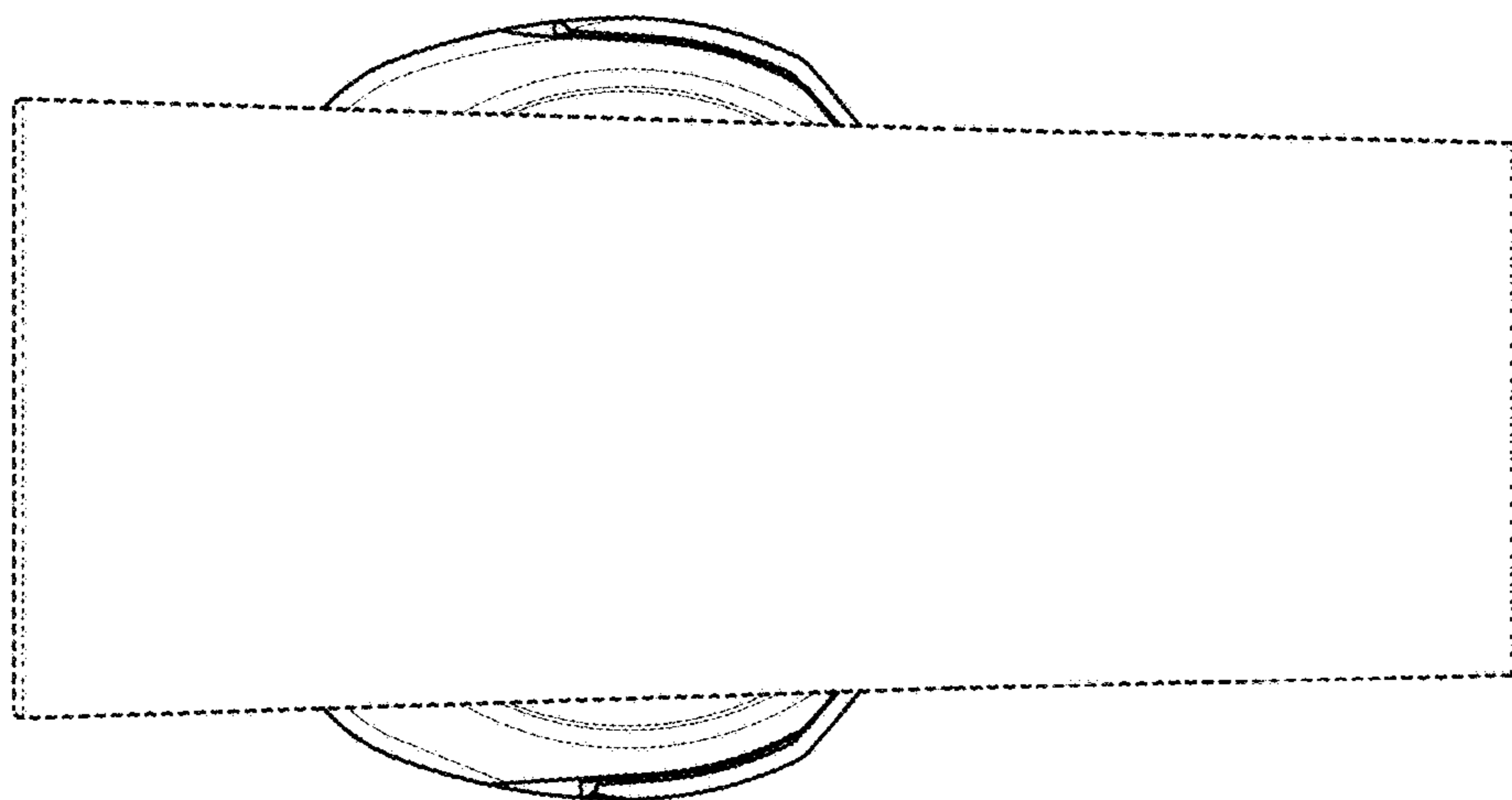




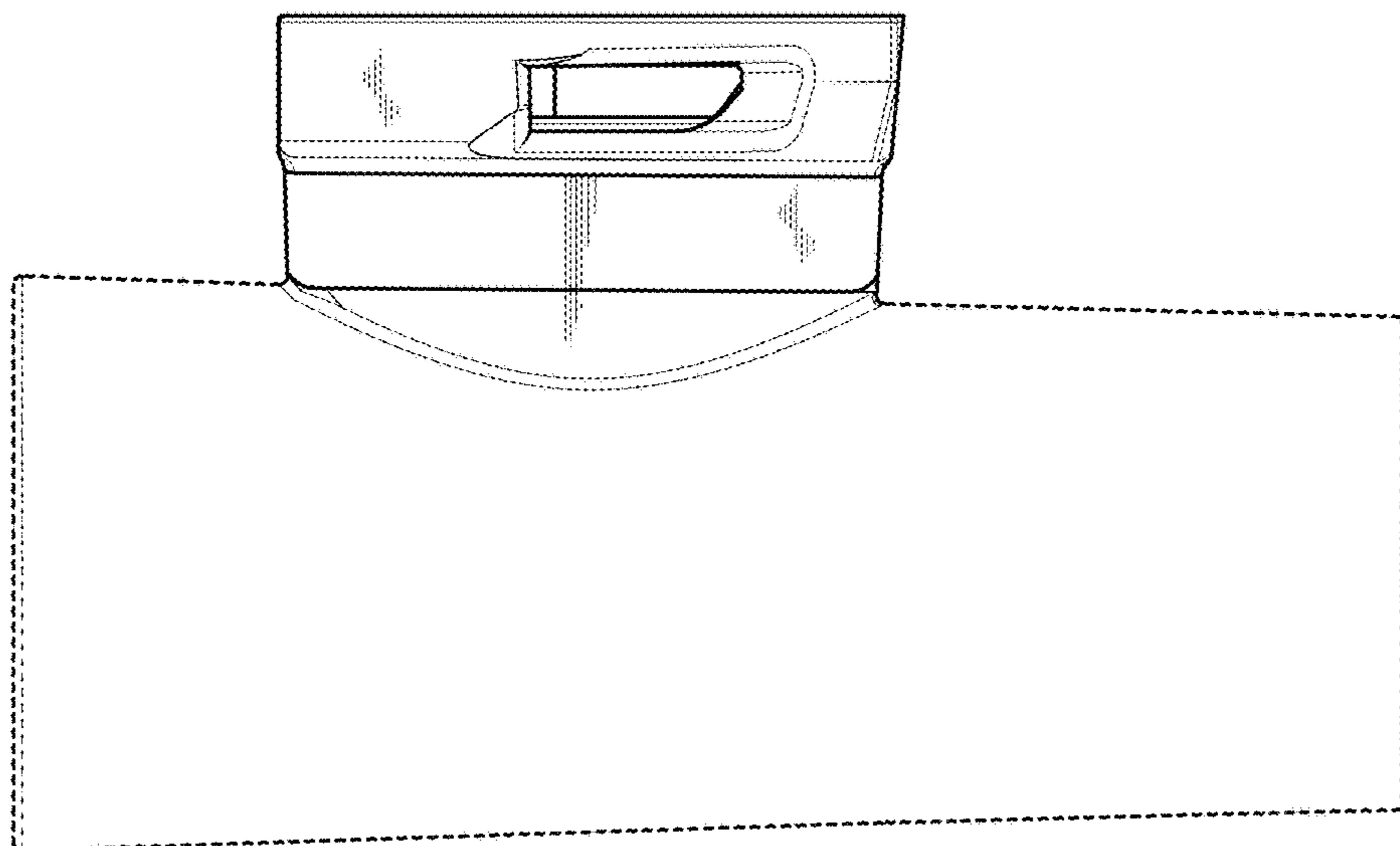
**FIG. 1**



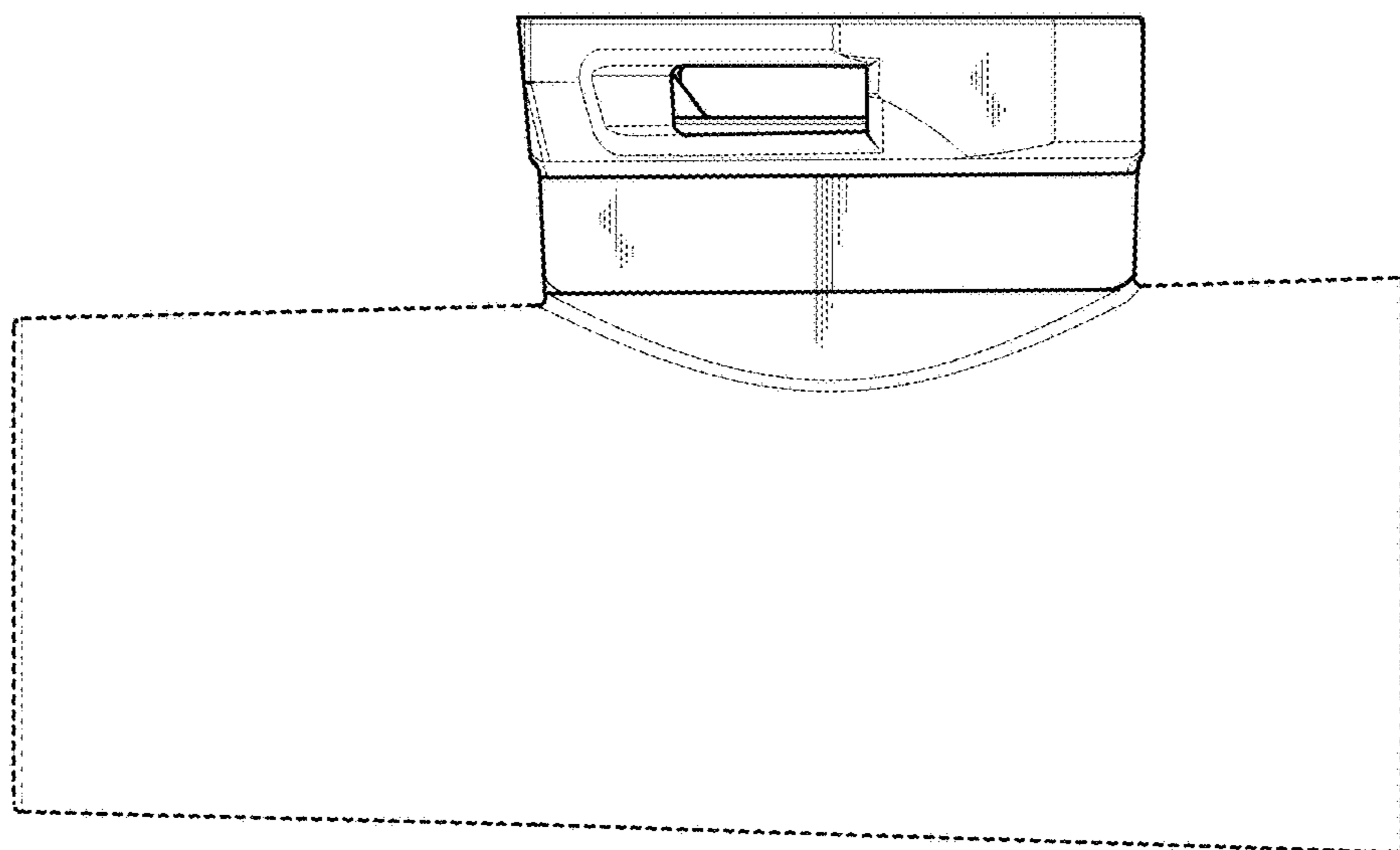
**FIG. 2**



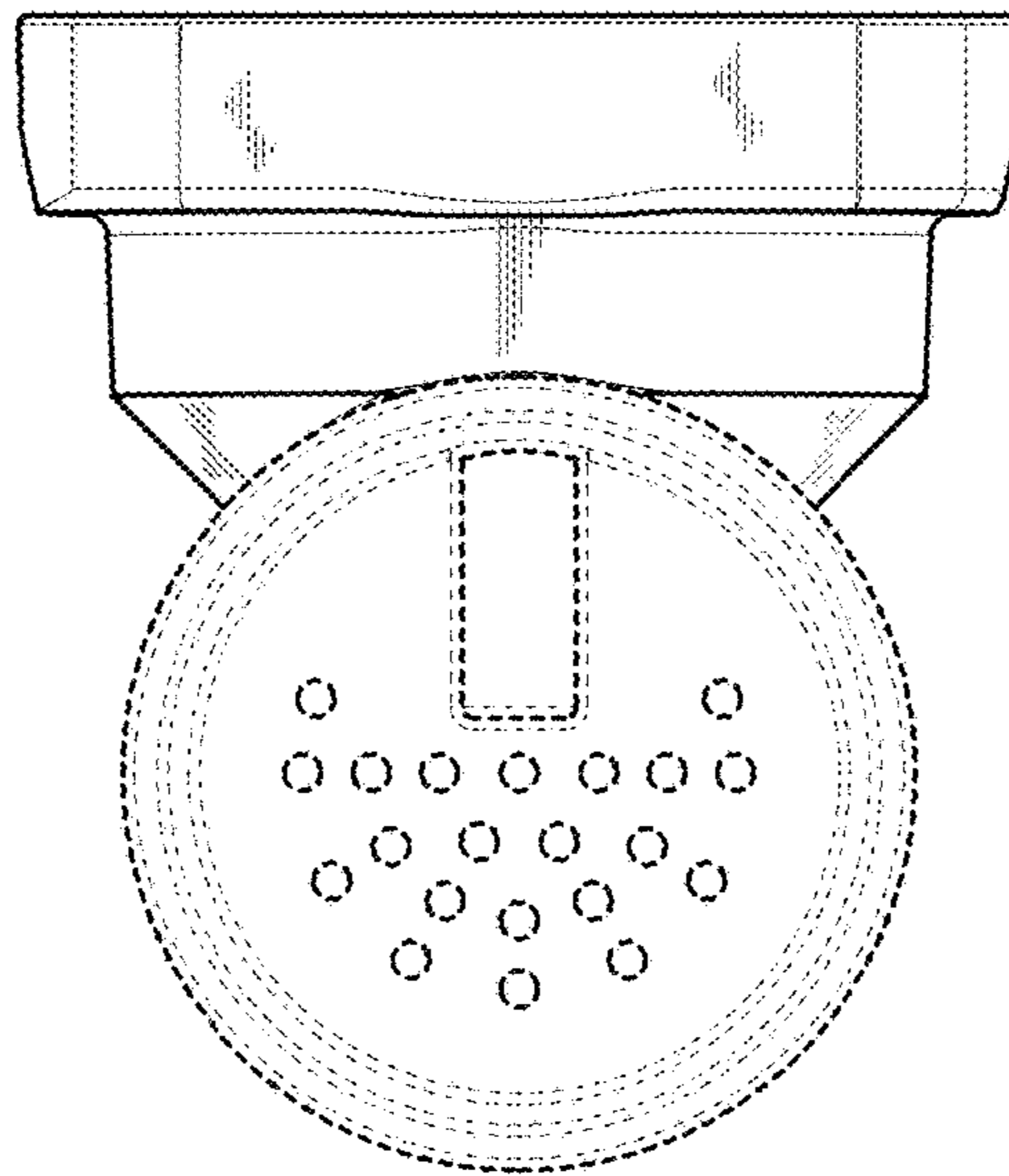
**FIG. 3**



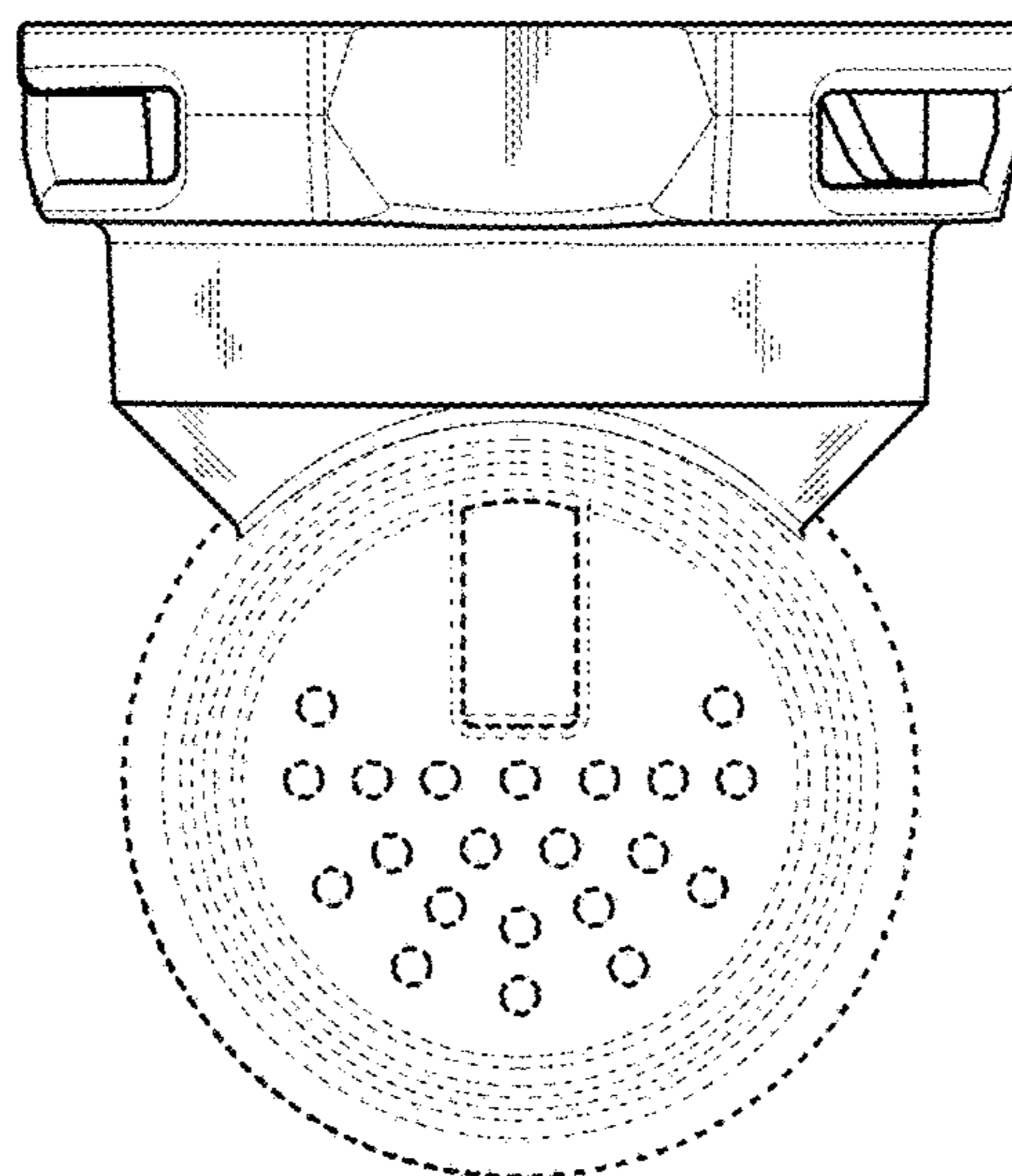
**FIG. 4**



**FIG. 5**



**FIG. 6**



**FIG. 7**