



US00D829884S

(12) **United States Design Patent** (10) **Patent No.:** **US D829,884 S**  
**Eker et al.** (45) **Date of Patent:** **\*\* Oct. 2, 2018**

(54) **PATIENT ISOLATOR**  
(71) Applicant: **EPIGUARD AS**, Gamle Fredrikstad (NO)  
(72) Inventors: **Bård Eker**, Gamle Fredrikstad (NO); **Robert Silesius**, Gamle Fredrikstad (NO); **Fridtjof Heyerdahl**, Gamle Fredrikstad (NO); **Victor Rosenvinge**, Gamle Fredrikstad (NO); **Ronald Rolfsen**, Oslo (NO); **Espen Rostrup Nakstad**, Oslo (NO)

D168,136 S \* 11/1952 Armstrong et al. .... D24/163  
2,699,826 A 1/1955 Emerson  
D182,394 S \* 4/1958 Adolphson ..... D24/163  
D193,051 S \* 6/1962 Jacobs ..... 5/655  
(Continued)

**FOREIGN PATENT DOCUMENTS**

EP 1 523 973 A2 4/2005  
GB 1022831 A 3/1966  
(Continued)

**OTHER PUBLICATIONS**

Summary of Third Party Manufacturers of Patient Isolation Units, 10 pages, May 18, 2015.  
(Continued)

(73) Assignee: **Epiguard AS**, Gamle Fredrikstad (NO)  
(\*\*) Term: **15 Years**

*Primary Examiner* — Manpreet S Matharu  
*Assistant Examiner* — Holly E Thurman  
(74) *Attorney, Agent, or Firm* — Fay Sharpe LLP

(21) Appl. No.: **35/500,961**

(22) Filed: **Nov. 16, 2015**

(80) **Hague Agreement Data**

Int. Filing Date: **Nov. 16, 2015**  
Int. Reg. No.: **DM/088692**  
Int. Reg. Date: **Nov. 16, 2015**  
Int. Reg. Pub. Date: **May 20, 2016**

(57) **CLAIM**

The ornamental design for a patient isolator, as shown and described.

(51) **LOC (11) Cl.** ..... **24-01**

(52) **U.S. Cl.**  
USPC ..... **D24/107**

(58) **Field of Classification Search**  
USPC ..... D24/107, 183, 184, 231, 201–203, 163;  
D21/835, 838  
CPC ..... A61G 10/04; A61G 10/05; A61G 10/026;  
A61G 13/108  
See application file for complete search history.

**DESCRIPTION**

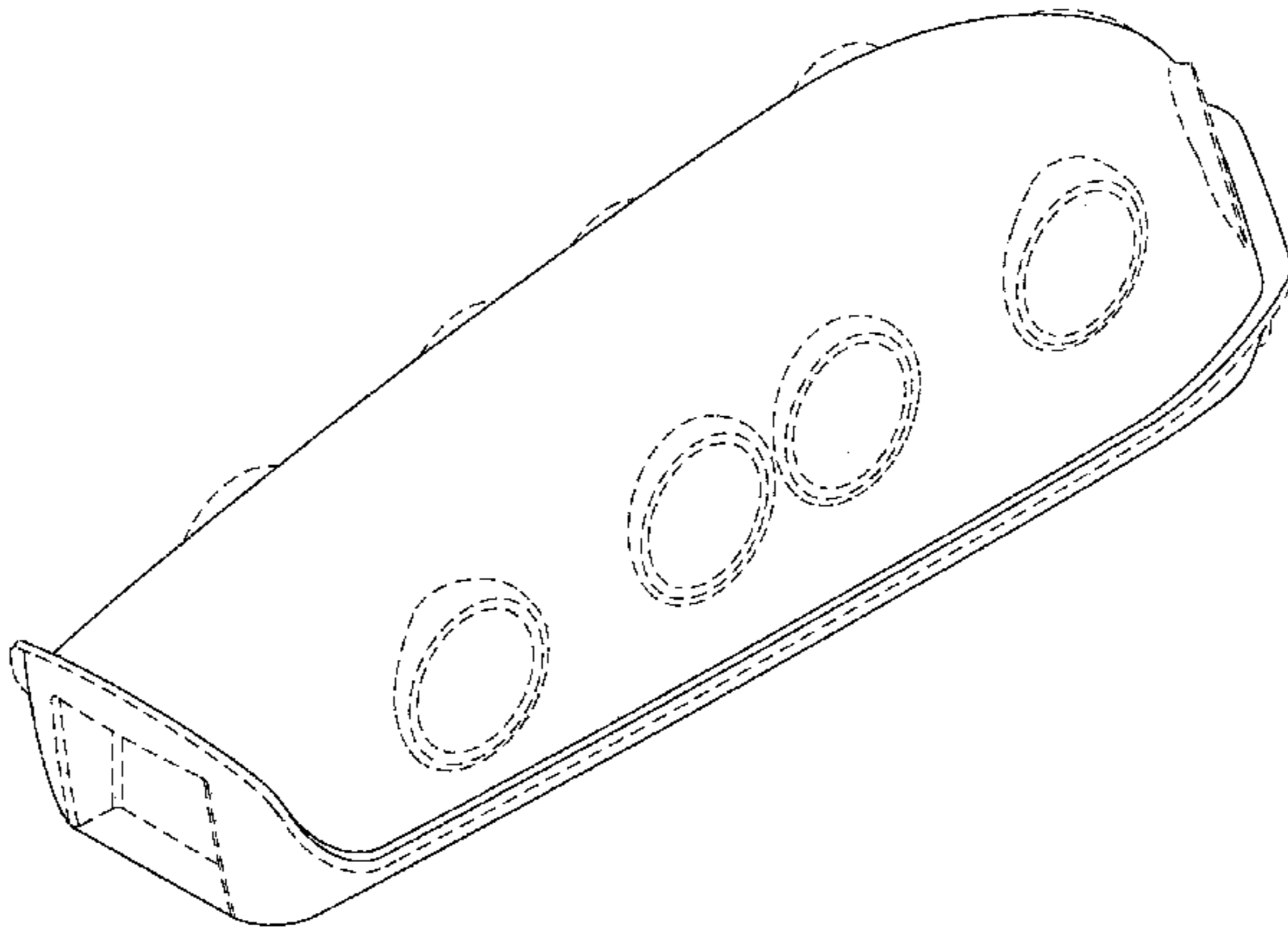
FIG. 1.1 is a bottom perspective view of a patient isolator showing our new design;  
FIG. 1.2 is a bottom plan view thereof;  
FIG. 1.3 is an enlarged front elevational view thereof;  
FIG. 1.4 is an enlarged rear elevational view thereof;  
FIG. 1.5 is a left side elevational view thereof;  
FIG. 1.6 is a right side elevational view thereof;  
FIG. 1.7 is a top perspective view thereof;  
FIG. 1.8 is a top plan view thereof;  
FIG. 1.9 is a top perspective view thereof, with the broken lines being removed for clarity; and  
FIG. 1.10 is a bottom perspective view thereof, with the broken lines being removed for clarity.  
The portions of the patient isolator shown in broken lines form no part of the claimed design.

(56) **References Cited**

**U.S. PATENT DOCUMENTS**

2,104,589 A \* 1/1938 Hartman ..... A61G 10/04  
128/204.15  
D111,283 S \* 9/1938 Gellman ..... D24/183  
D138,411 S \* 8/1944 Armstrong ..... D24/163

**1 Claim, 10 Drawing Sheets**



(56)

References Cited

U.S. PATENT DOCUMENTS

3,051,163 A \* 8/1962 Trexler ..... B25J 21/02  
135/115  
3,051,164 A \* 8/1962 Trexler ..... A61G 10/005  
119/417  
D201,167 S \* 5/1965 Gower, III ..... D24/163  
D202,083 S \* 8/1965 Berlin ..... D24/183  
3,272,199 A \* 9/1966 Matthews ..... A61G 10/005  
118/50  
3,492,987 A \* 2/1970 Parker ..... A61G 10/005  
128/205.26  
4,026,286 A \* 5/1977 Trexler ..... A61G 10/005  
128/205.26  
4,335,712 A \* 6/1982 Trexler ..... A61G 10/005  
128/205.26  
5,626,151 A 5/1997 Linden  
5,728,041 A \* 3/1998 Fowler, Jr. .... A61G 13/108  
600/21  
6,321,764 B1 \* 11/2001 Gauger ..... A61G 10/005  
135/128  
6,461,290 B1 \* 10/2002 Reichman ..... A61G 10/005  
5/312  
6,497,231 B1 \* 12/2002 White ..... A61G 10/026  
128/202.12  
D482,423 S \* 11/2003 Newsome ..... D21/835  
D491,669 S \* 6/2004 Daffer ..... D24/202  
D497,429 S \* 10/2004 Tetrault ..... D24/163  
D522,659 S \* 6/2006 Cote ..... D24/202  
D534,278 S \* 12/2006 Lu ..... D24/202  
D541,423 S \* 4/2007 Gay ..... D24/202  
D548,351 S \* 8/2007 Weng ..... D24/202

D567,948 S \* 4/2008 Tierney ..... D24/163  
7,503,890 B2 \* 3/2009 Kubicsko ..... A61F 5/3769  
600/21  
8,007,351 B1 \* 8/2011 Maloney ..... A61G 10/005  
454/187  
D651,714 S \* 1/2012 Dougherty ..... D24/163  
D710,503 S \* 8/2014 Hudson ..... D24/163  
D722,381 S \* 2/2015 Mareguddi ..... D24/163  
2003/0088911 A1 5/2003 Gedouin  
2005/0150505 A1 7/2005 Burrow et al.  
2007/0056593 A1 3/2007 Kubicsko et al.  
2007/0088241 A1 4/2007 Brustad et al.  
2011/0290257 A1 12/2011 Hillis et al.

FOREIGN PATENT DOCUMENTS

GB 1 425 253 A 2/1976  
GB 2 424 060 A 9/2006  
JP 2010-065726 A 3/2010  
WO WO 98/35614 A1 8/1998  
WO WO 00/38612 A2 7/2000

OTHER PUBLICATIONS

International Search Report and Written Opinion of International Application No. PCT/EP2016/077598 dated Mar. 20, 2017, 19 pages.  
Search Report of GB 1520065.2 dated May 10, 2016, 5 pages.  
Search Report of GB 1520065.2 dated Dec. 8, 2016, 2 pages.  
Search Report of GB 1520065.2 dated Dec. 13, 2016, 2 pages.

\* cited by examiner

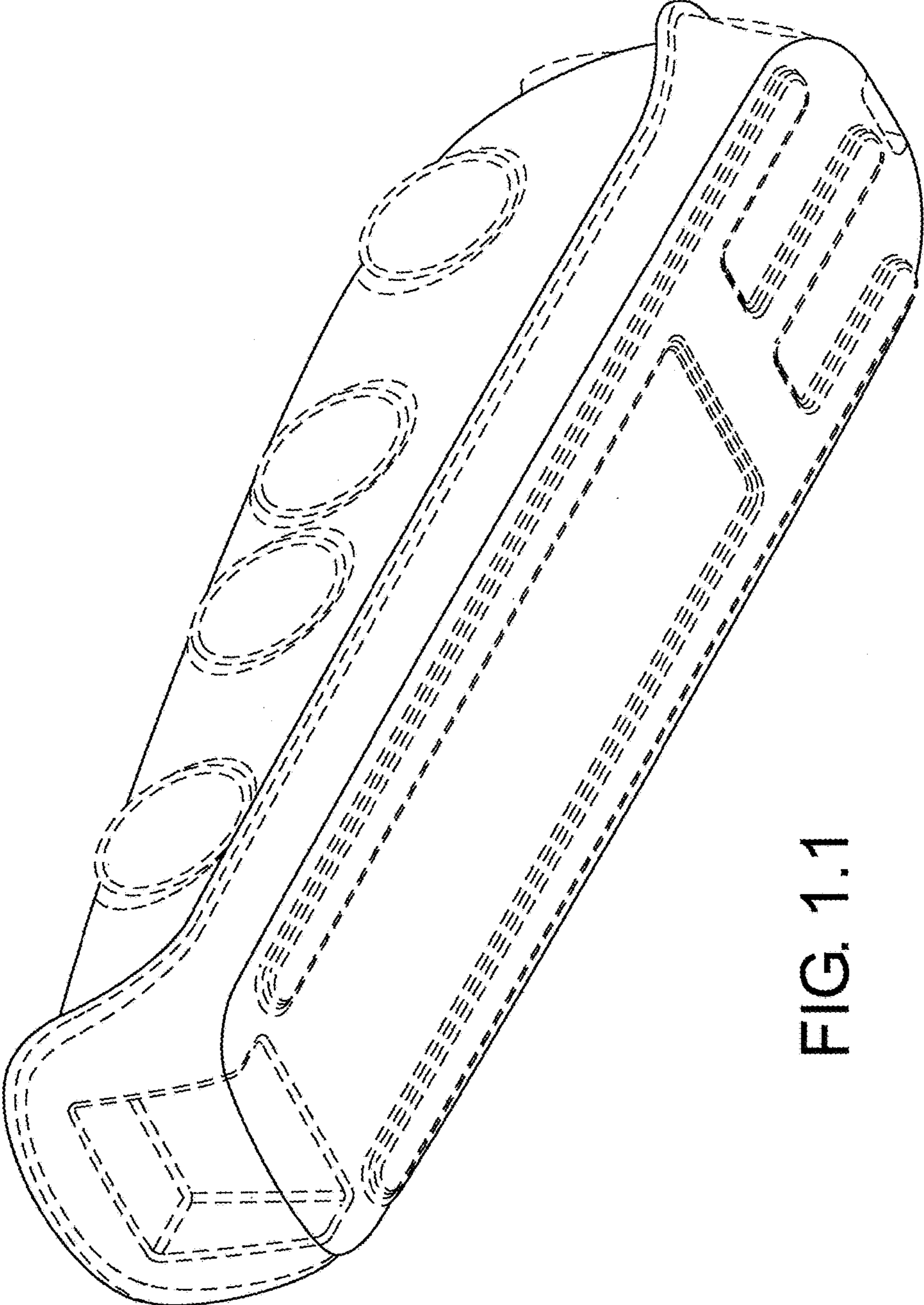


FIG. 1.1

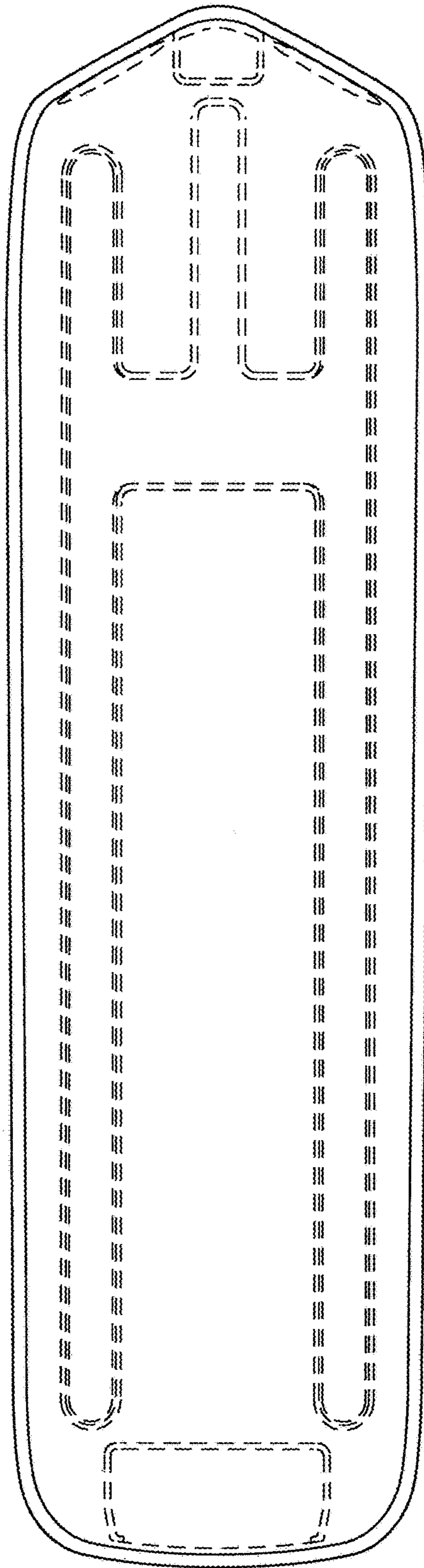


FIG. 1.2

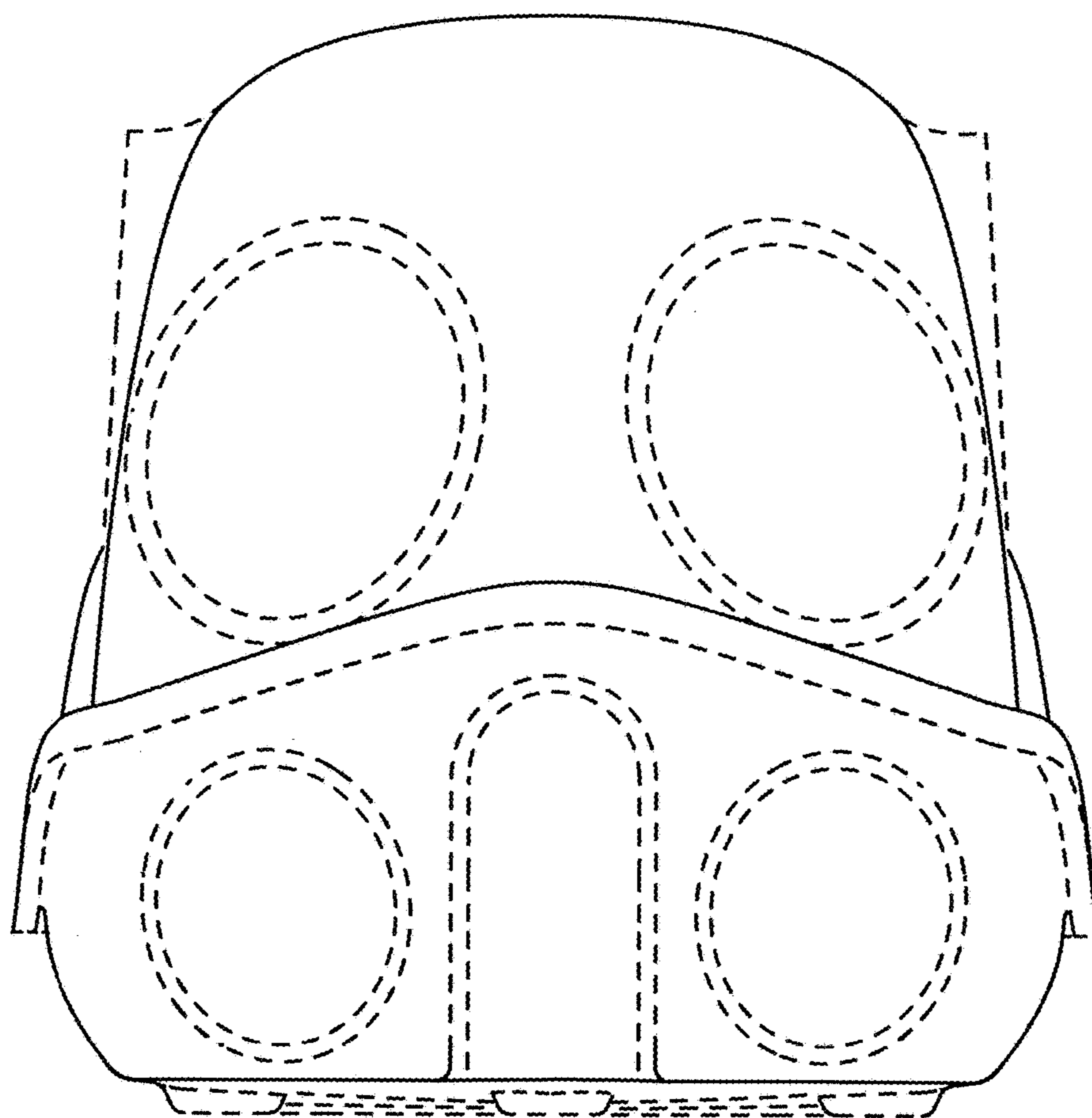


FIG. 1.3

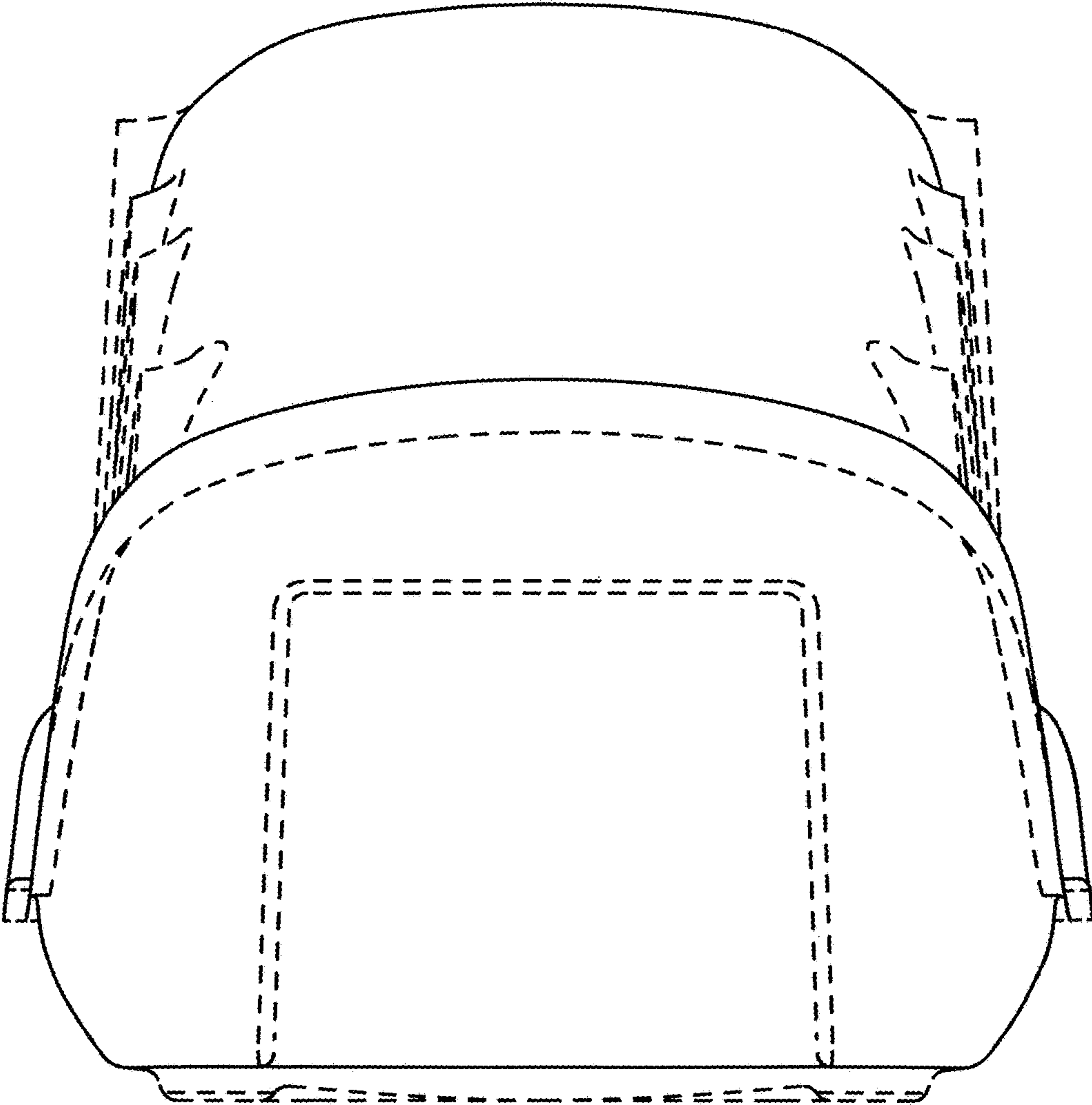


FIG. 1.4

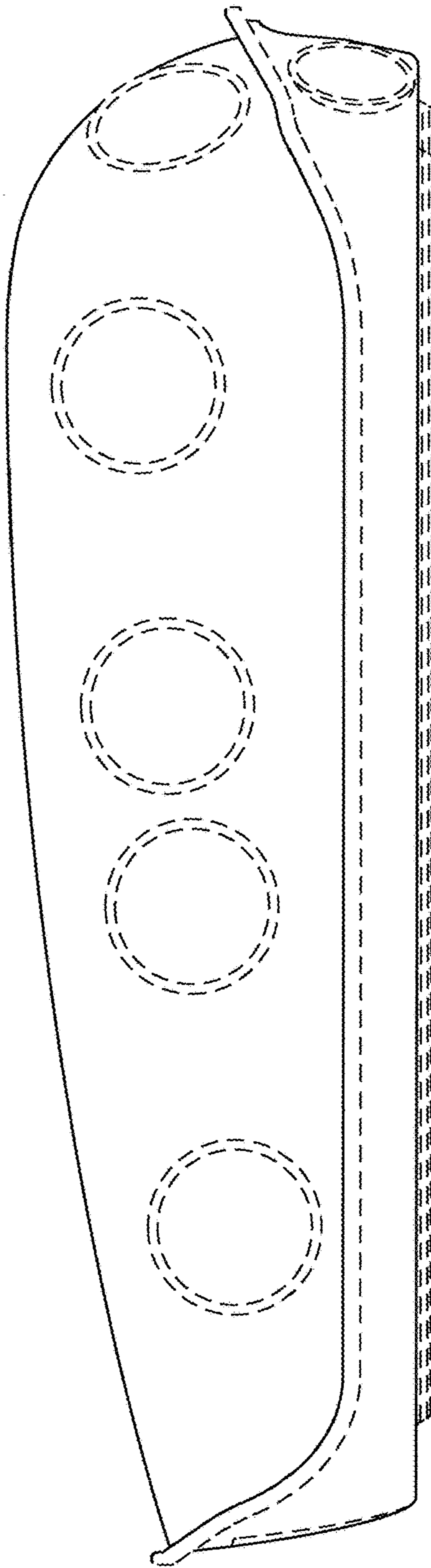


FIG. 1.5

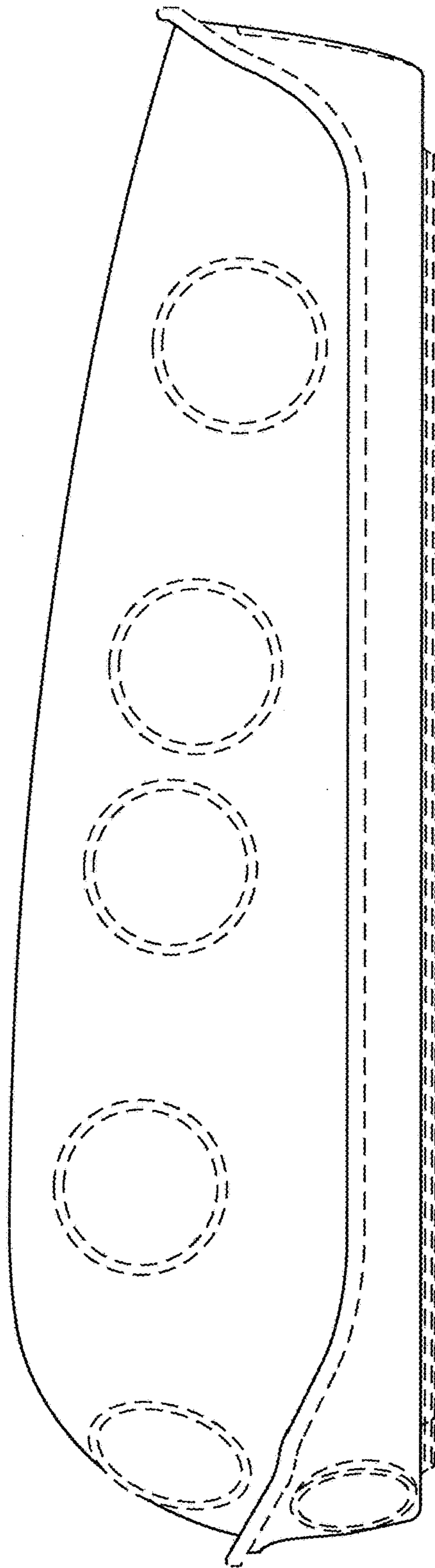


FIG. 1.6



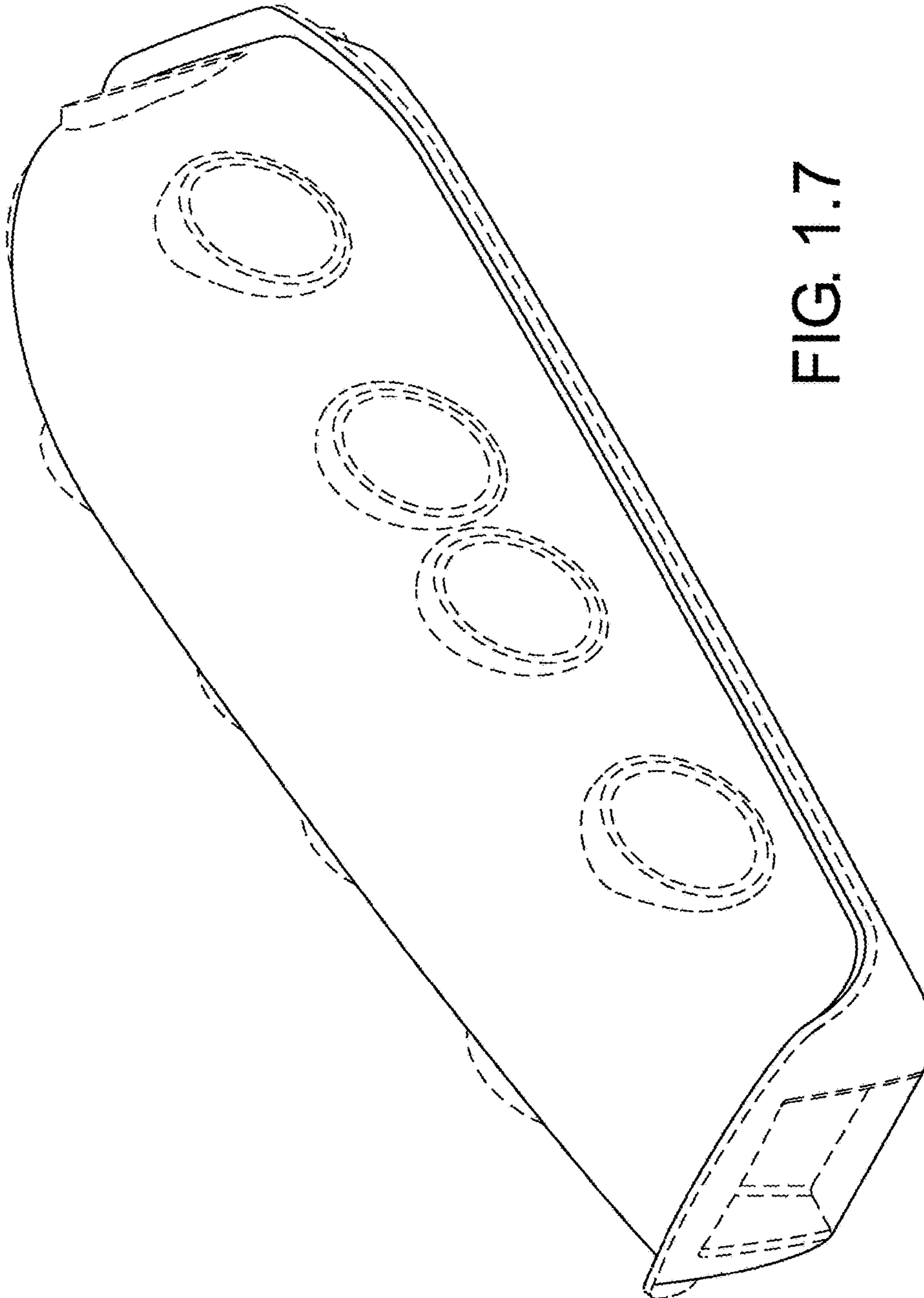


FIG. 1.7

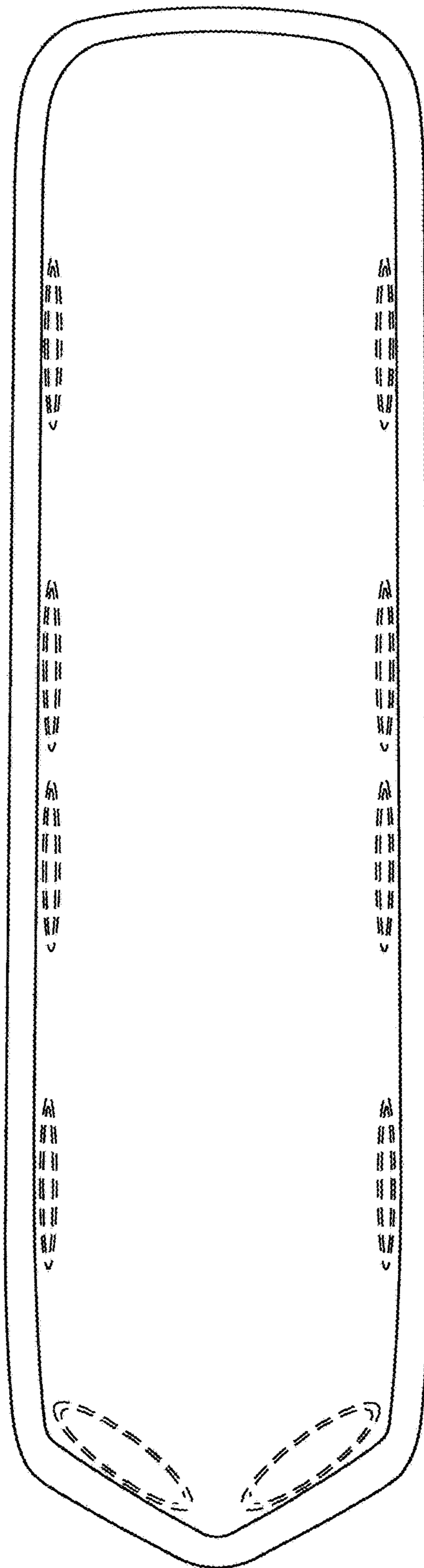


FIG. 1.8

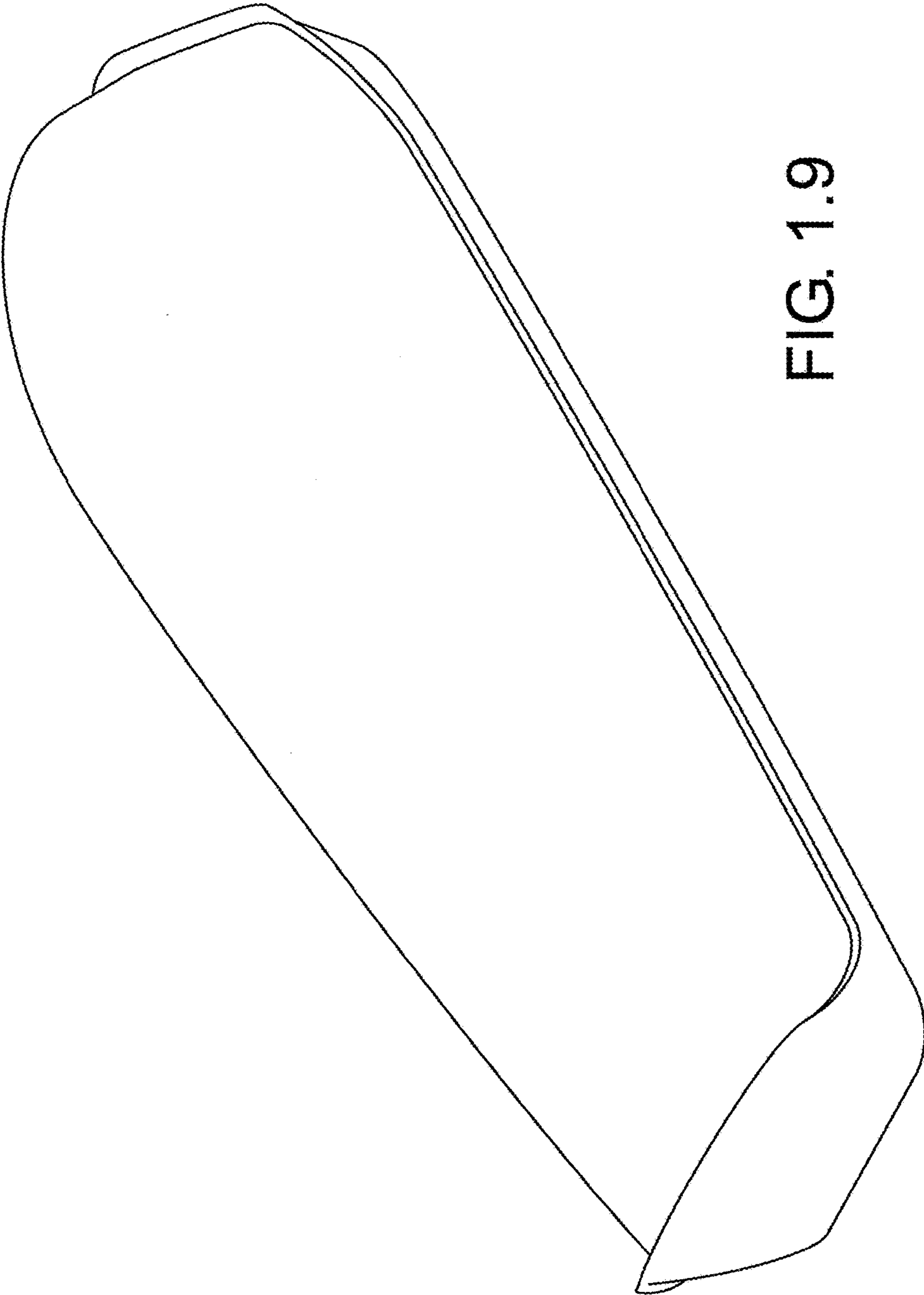


FIG. 1.9

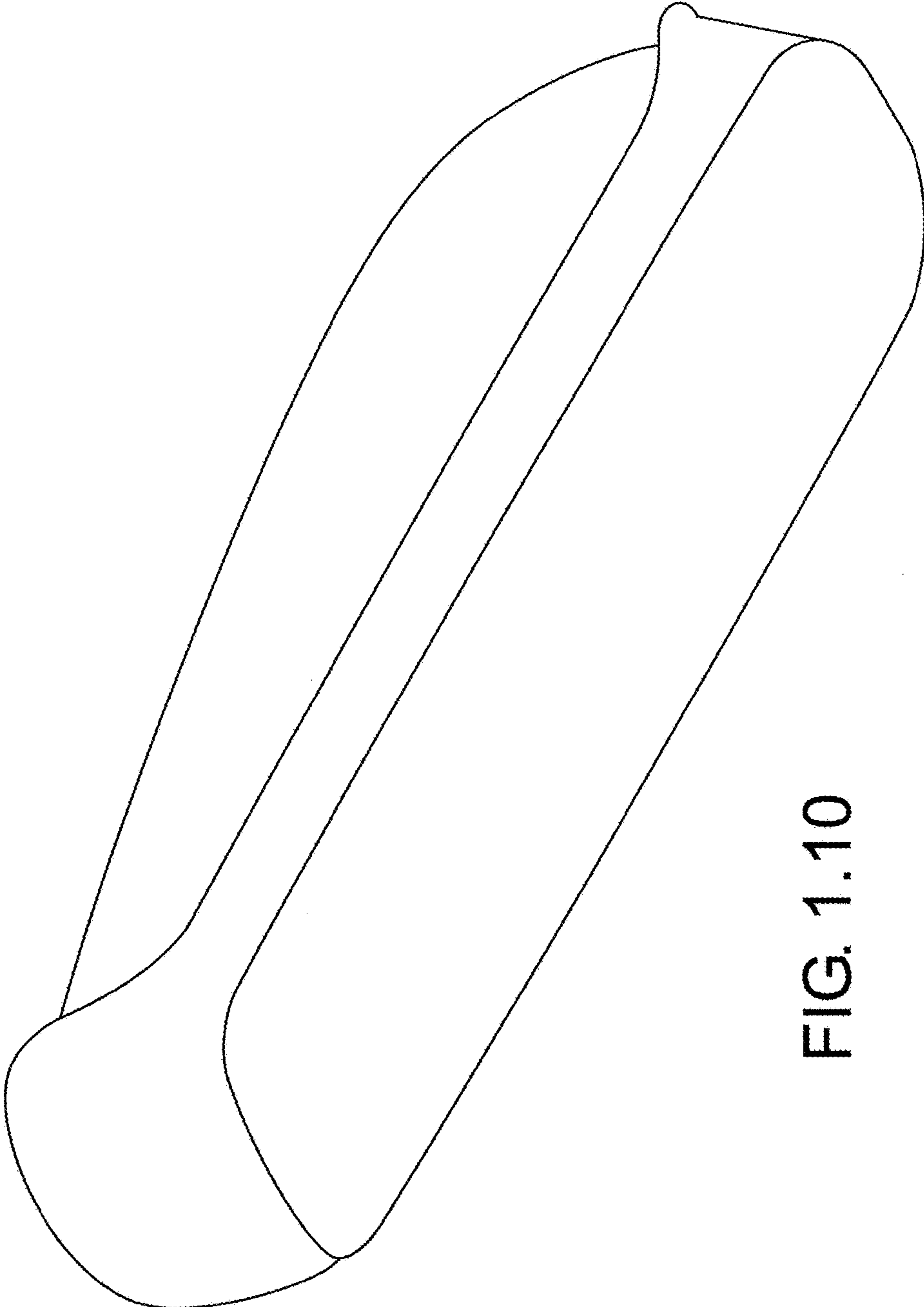


FIG. 1.10