



US00D829883S

(12) **United States Design Patent**
Mann

(10) **Patent No.:** **US D829,883 S**

(45) **Date of Patent:** **** Oct. 2, 2018**

(54) **EARPLUG**

(71) Applicant: **Vibes LLC**, Minneapolis, MN (US)

(72) Inventor: **Jackson Robert Mann**, Minneapolis, MN (US)

(73) Assignee: **Vibes LLC**, Minneapolis, MN (US)

(**) Term: **15 Years**

(21) Appl. No.: **29/627,422**

(22) Filed: **Nov. 27, 2017**

Related U.S. Application Data

(62) Division of application No. 29/544,925, filed on Nov. 7, 2015, now Pat. No. Des. 804,012.

(51) **LOC (11) Cl.** **24-04**

(52) **U.S. Cl.**
USPC **D24/106**

(58) **Field of Classification Search**
USPC D24/106, 173, 174, 215; D29/112;
D14/223; D9/439; D7/591
CPC A61F 11/08; A61F 11/10; A61F 2011/085
See application file for complete search history.

(56) **References Cited**

U.S. PATENT DOCUMENTS

5,113,967 A	5/1992	Killion et al.	
D402,752 S	12/1998	Falco	
D419,676 S	1/2000	Garcia	
D618,209 S	6/2010	Andre et al.	
D618,210 S	6/2010	Andre et al.	
D624,901 S *	10/2010	Blanchard	D14/205
D649,656 S *	11/2011	Petersen	D24/215
D675,194 S	1/2013	Andre et al.	
2006/0081415 A1 *	4/2006	Knauer	A61F 11/08 181/135
2008/0207790 A1 *	8/2008	Knauer	A61F 11/08 521/145

2009/0234182 A1 9/2009 Buchholz
2014/0014121 A1 1/2014 Endle et al.
2015/0047650 A1 2/2015 Blanchard

* cited by examiner

Primary Examiner — Richelle G Shelton

(74) *Attorney, Agent, or Firm* — Muetting, Raasch & Gebhardt, P.A.

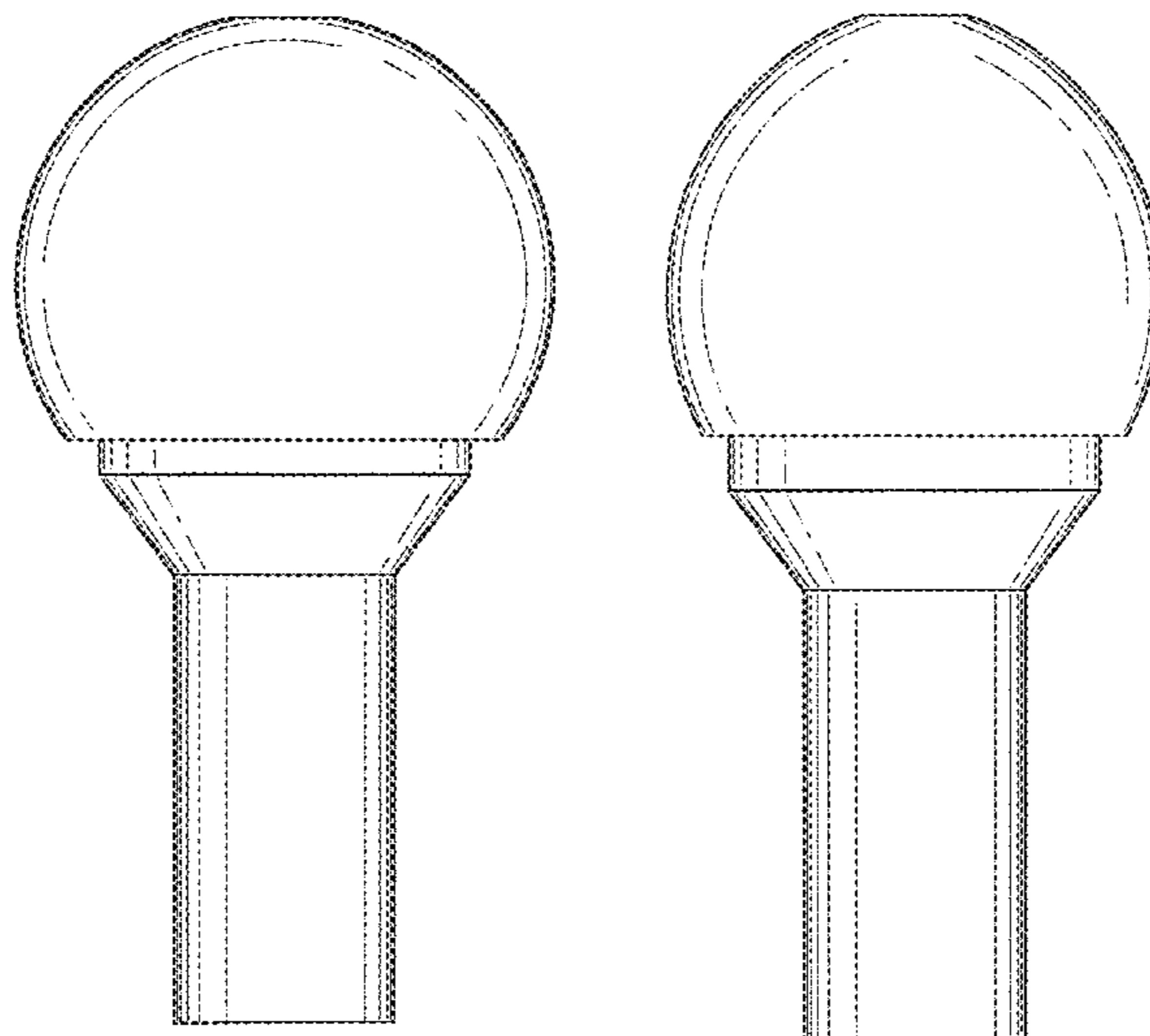
(57) **CLAIM**

The ornamental design for an earplug, as shown and described.

DESCRIPTION

FIG. 1 is a perspective view of a first embodiment of an earplug in accordance with the claimed design;
 FIG. 2 is a side elevation view of the design of FIG. 1, the left, right, and rear side elevation views being a mirror image thereof;
 FIG. 3 is top plan view of the design of FIG. 1;
 FIG. 4 is bottom plan view of the design of FIG. 1;
 FIG. 5 is a perspective view of a second embodiment of an earplug in accordance with the claimed design;
 FIG. 6 is a side elevation view of the design of FIG. 5, the left, right, and rear side elevation views being a mirror image thereof;
 FIG. 7 is top plan view of the design of FIG. 5;
 FIG. 8 is bottom plan view of the design of FIG. 5;
 FIG. 9 is a perspective view of a third embodiment of an earplug in accordance with the claimed design;
 FIG. 10 is a side elevation view of the design of FIG. 9, the left, right, and rear side elevation views being a mirror image thereof;
 FIG. 11 is top plan view of the design of FIG. 9; and,
 FIG. 12 is bottom plan view of the design of FIG. 9.
 The break lines in the figures are used to indicate indeterminate length of the element in which the break lines are provided. The broken lines in the figures do not form a part of the claimed design.

1 Claim, 12 Drawing Sheets



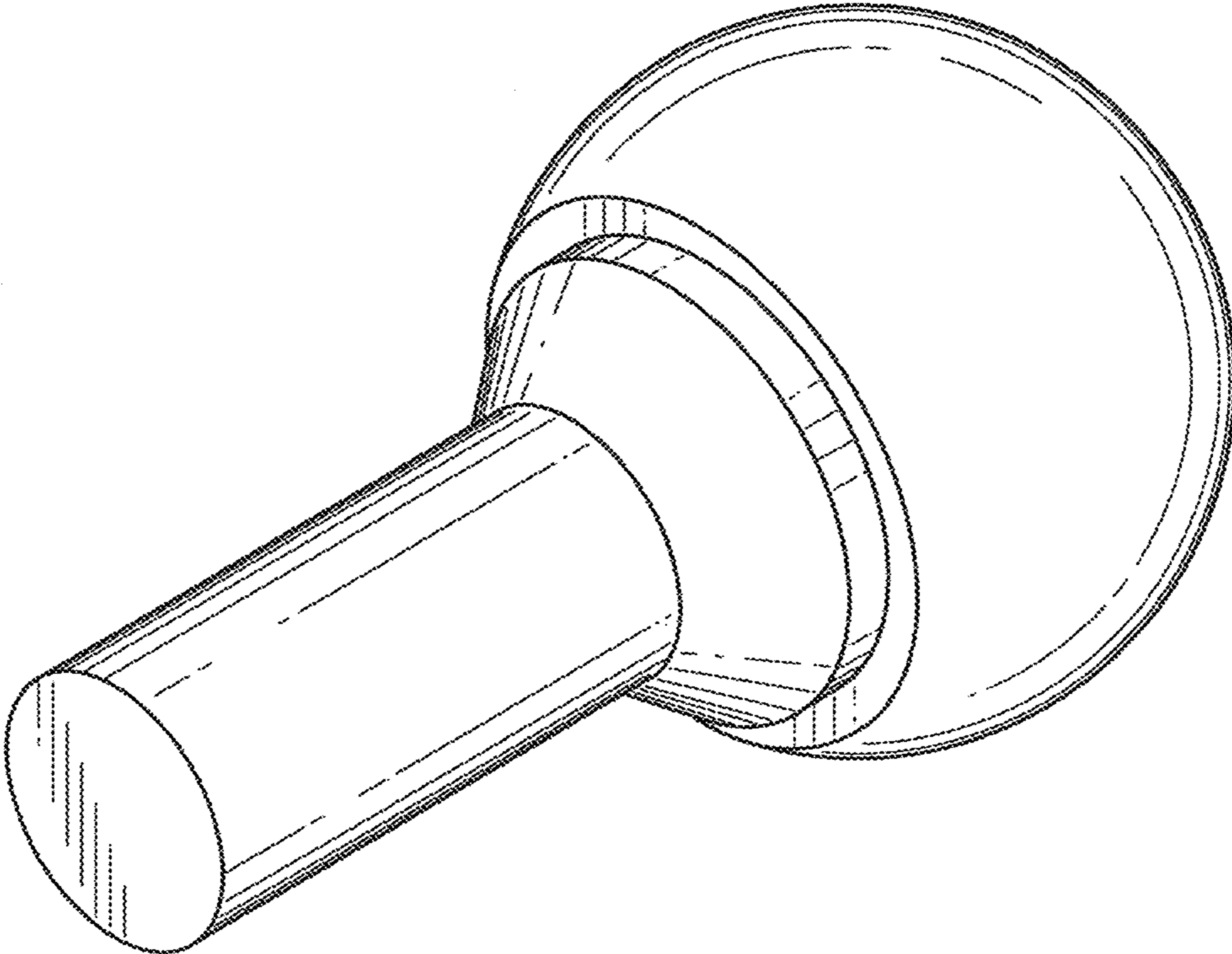


FIG. 1

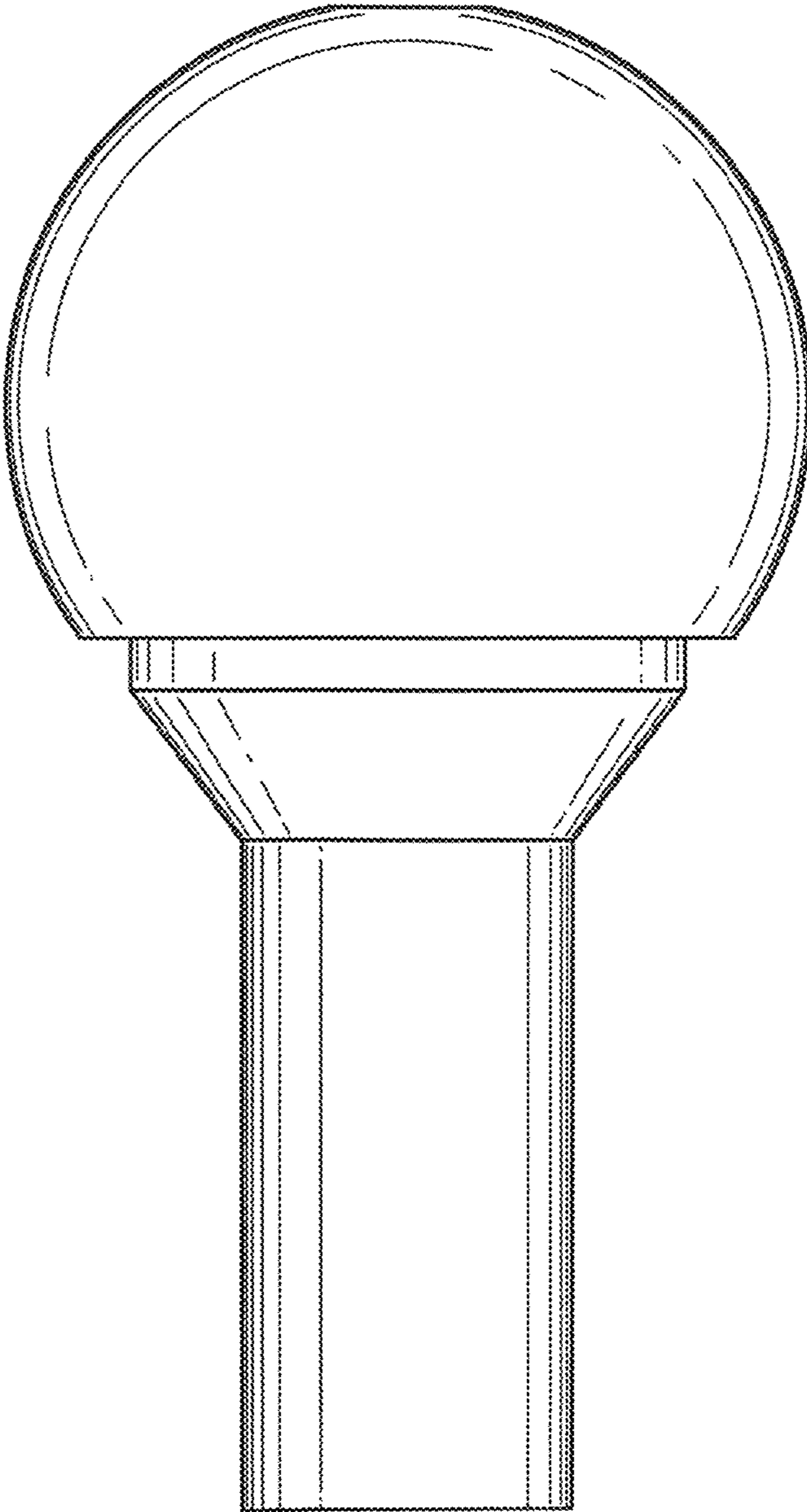


FIG. 2

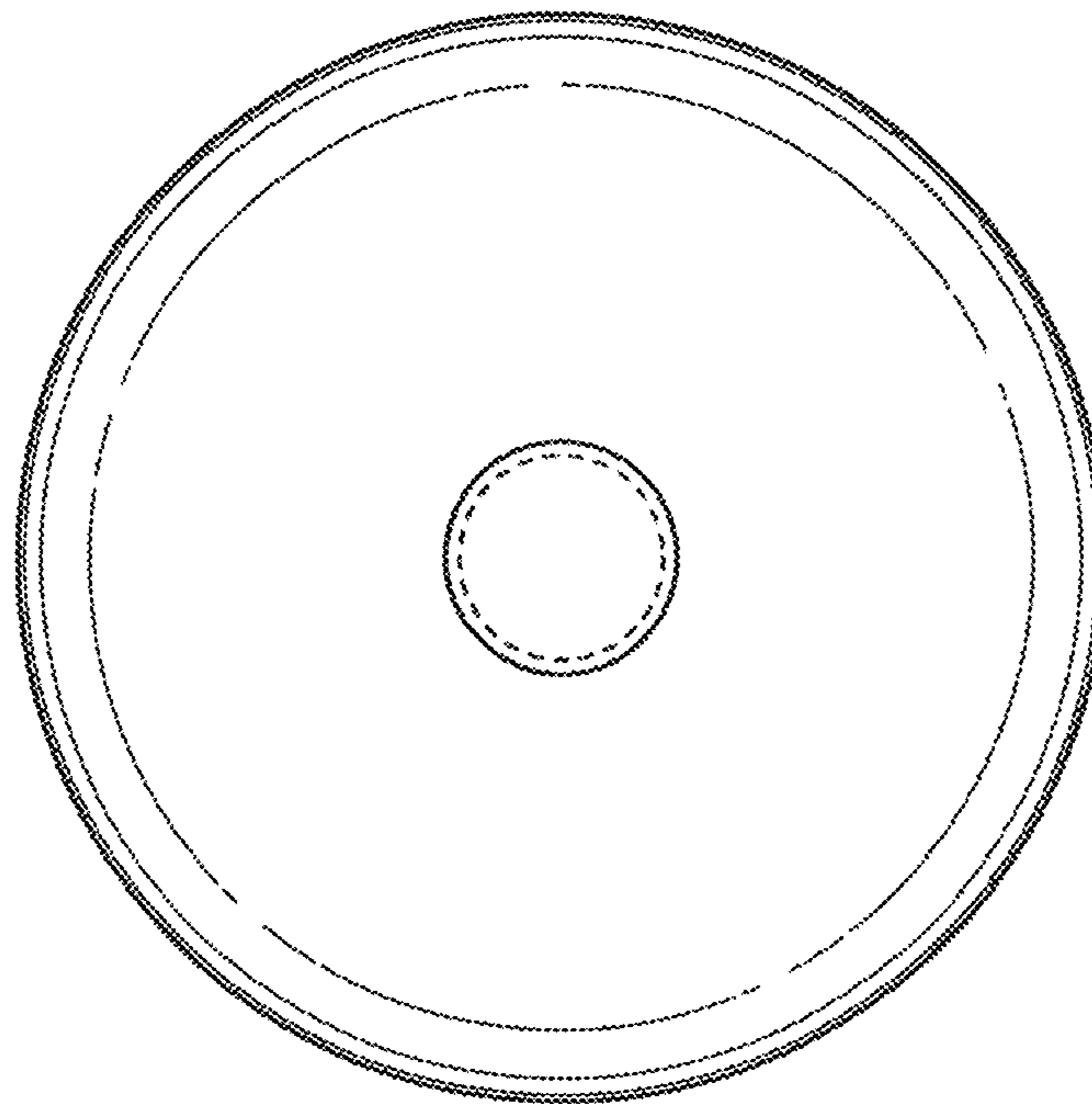


FIG. 3

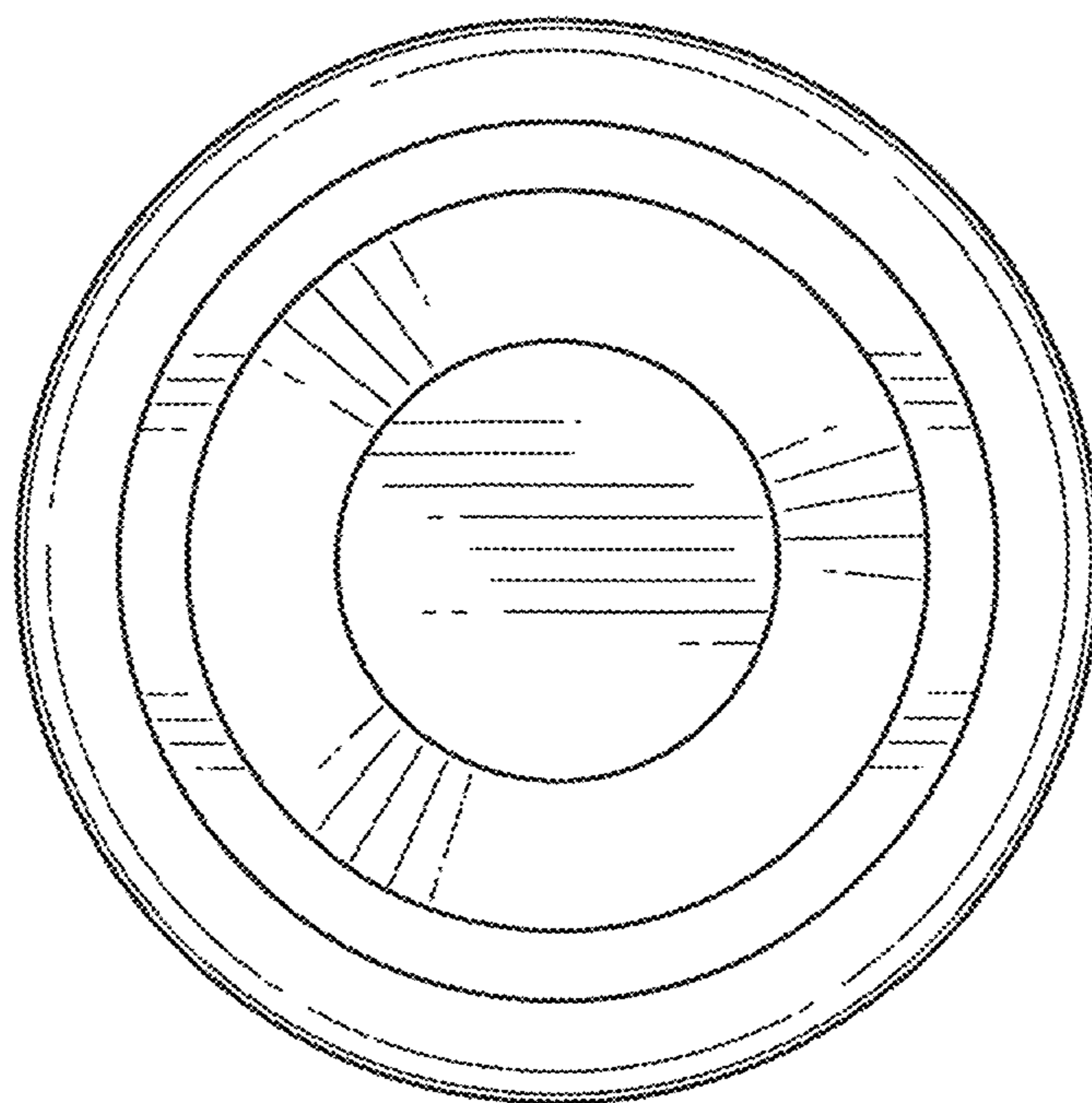


FIG. 4

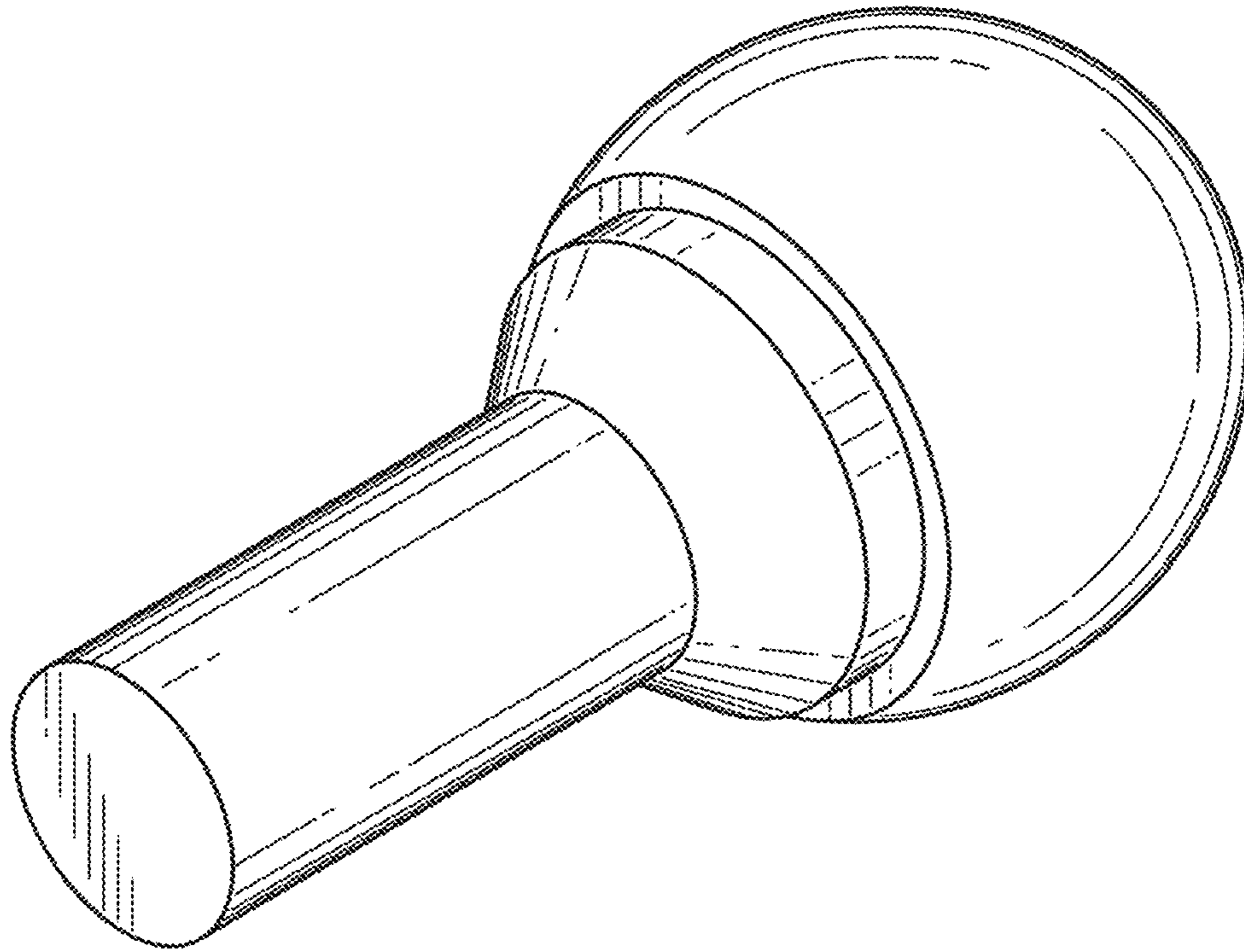


FIG. 5

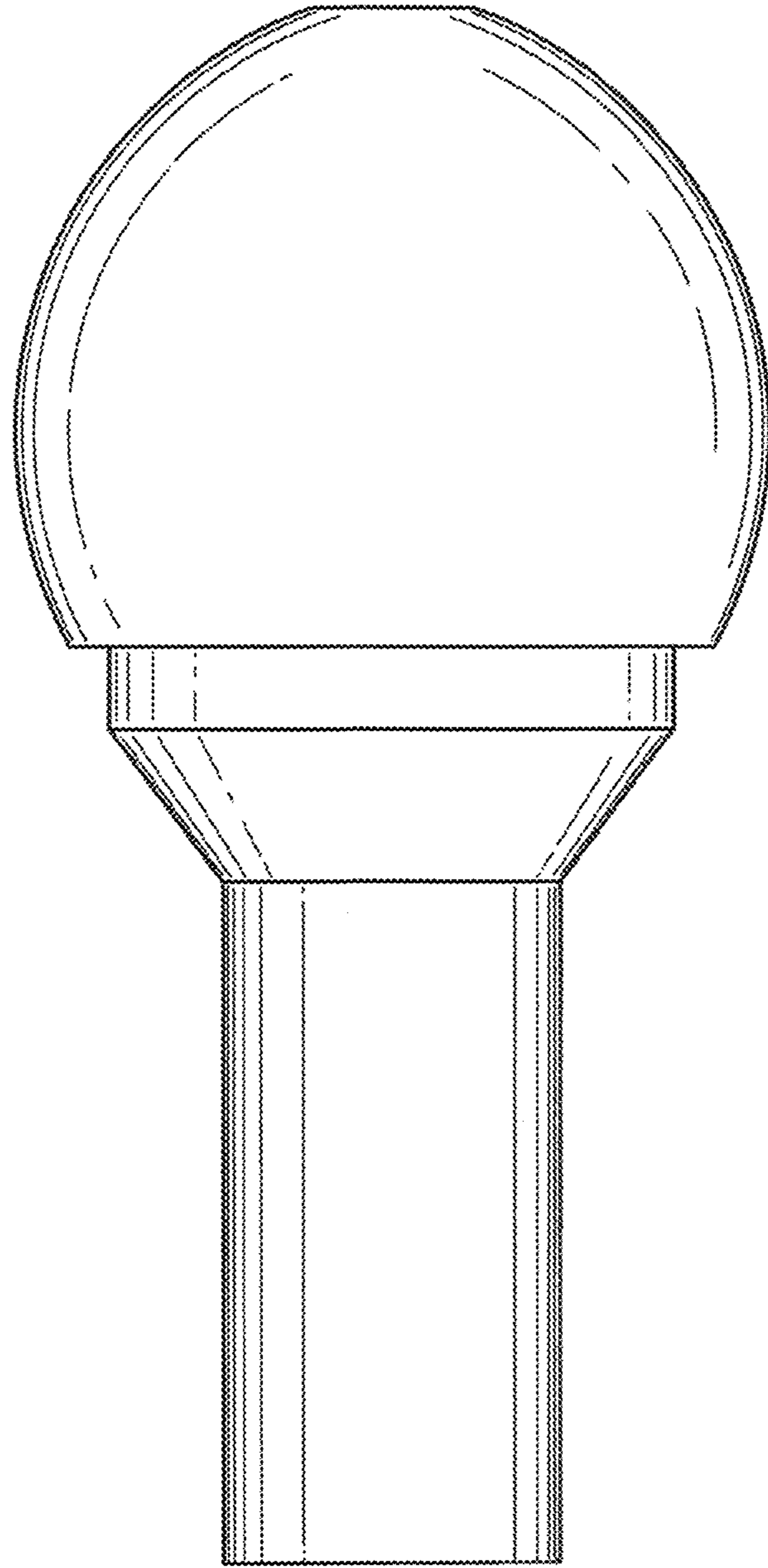


FIG. 6

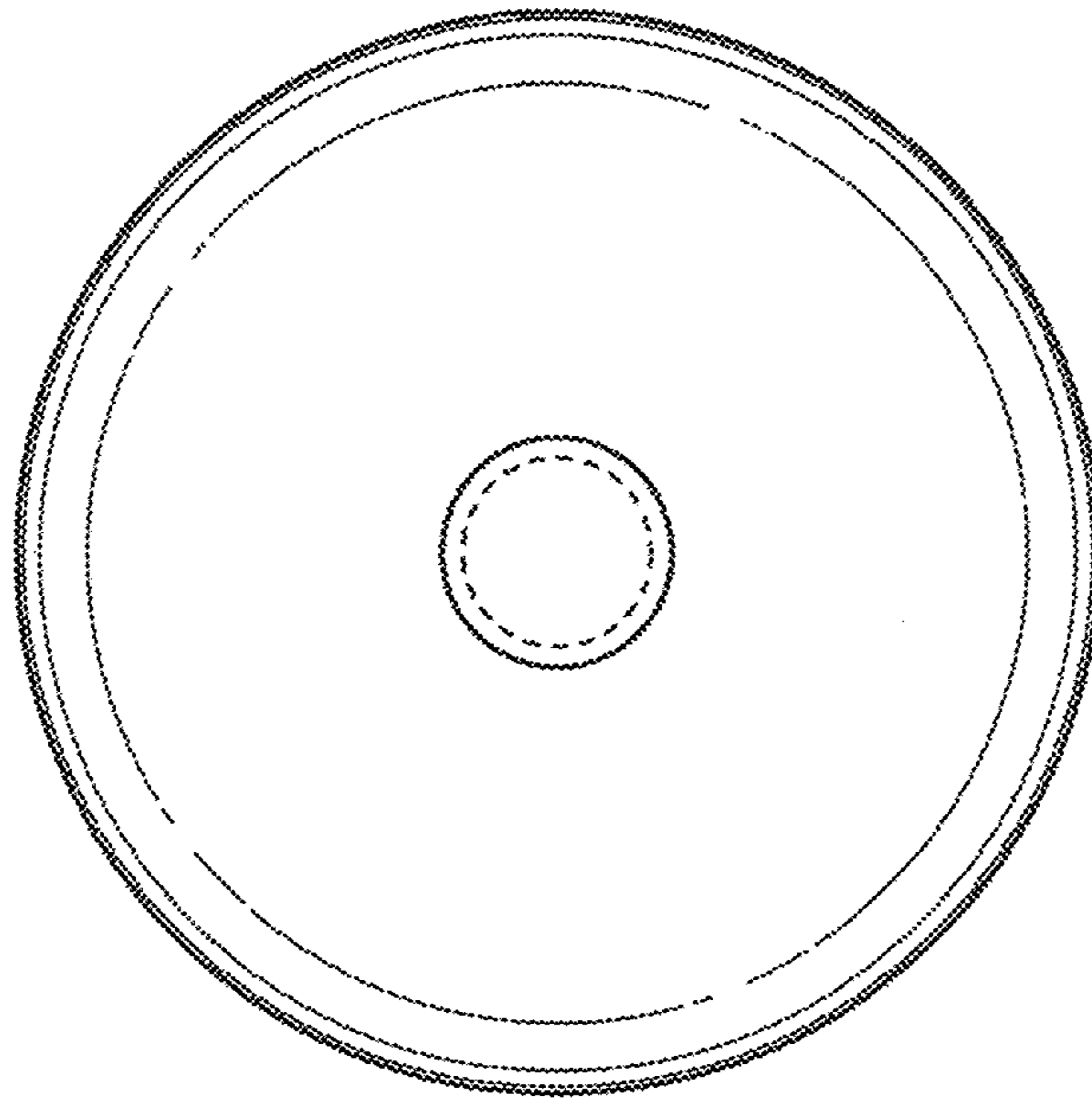


FIG. 7

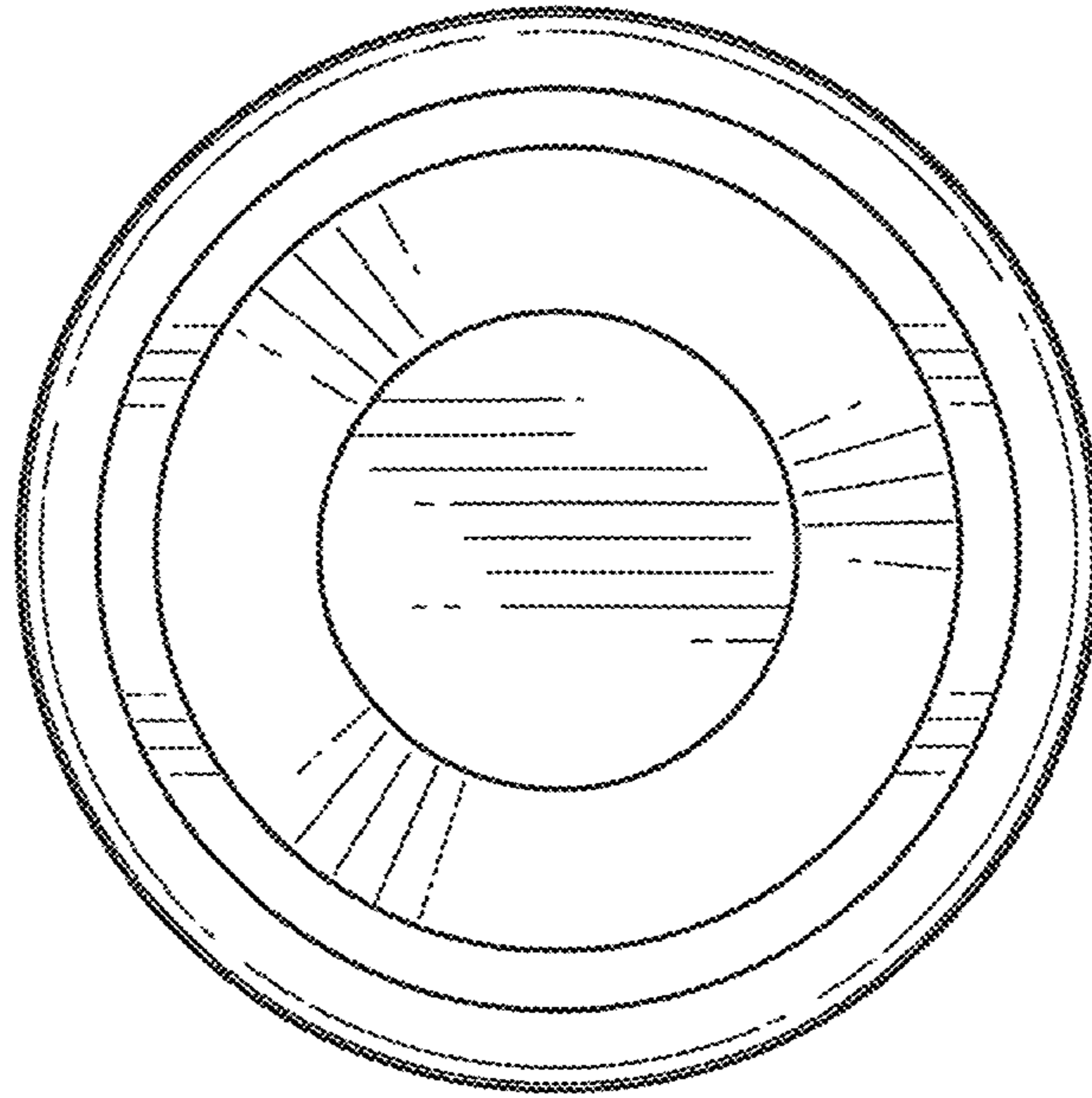


FIG. 8

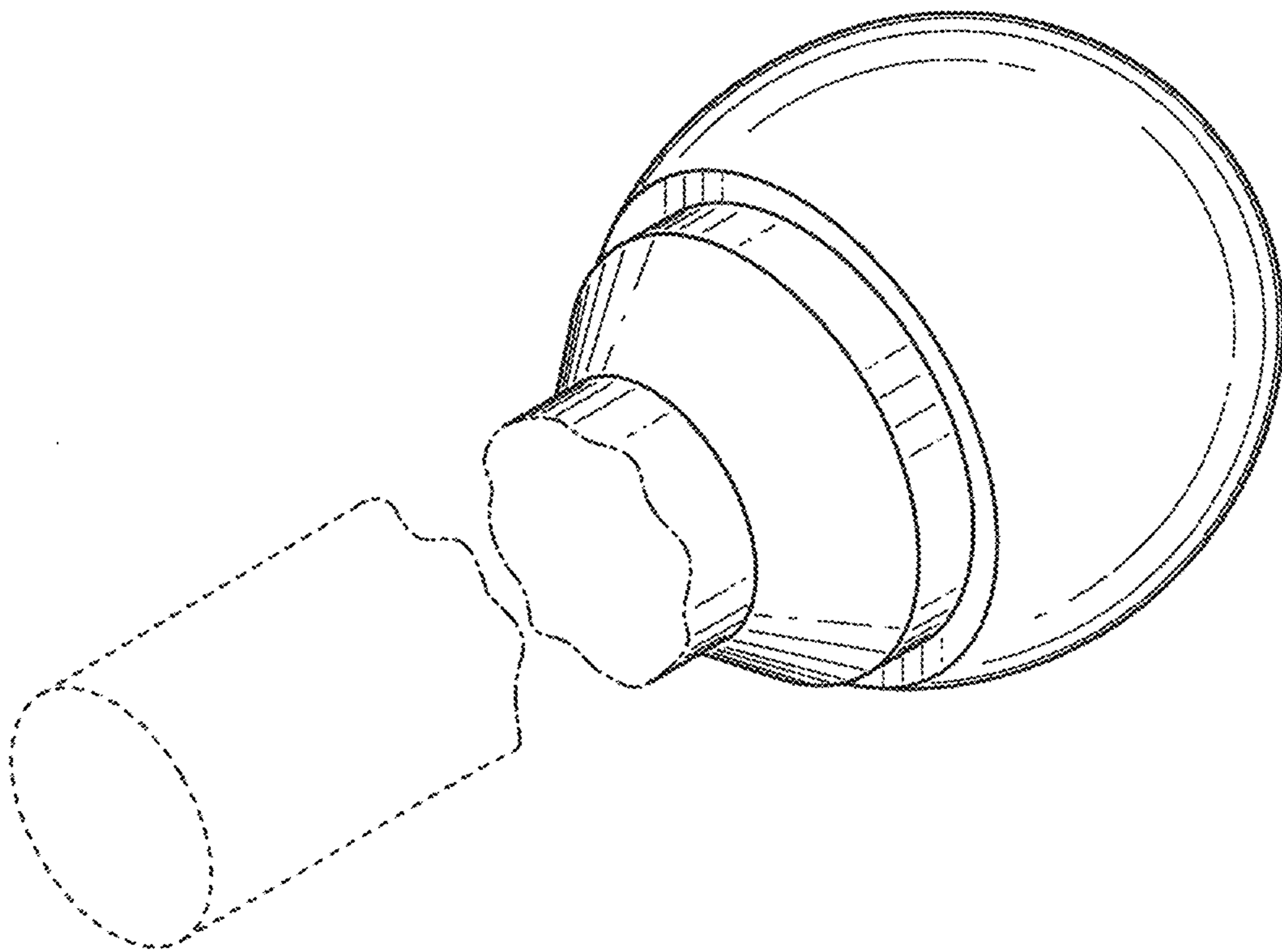


FIG. 9

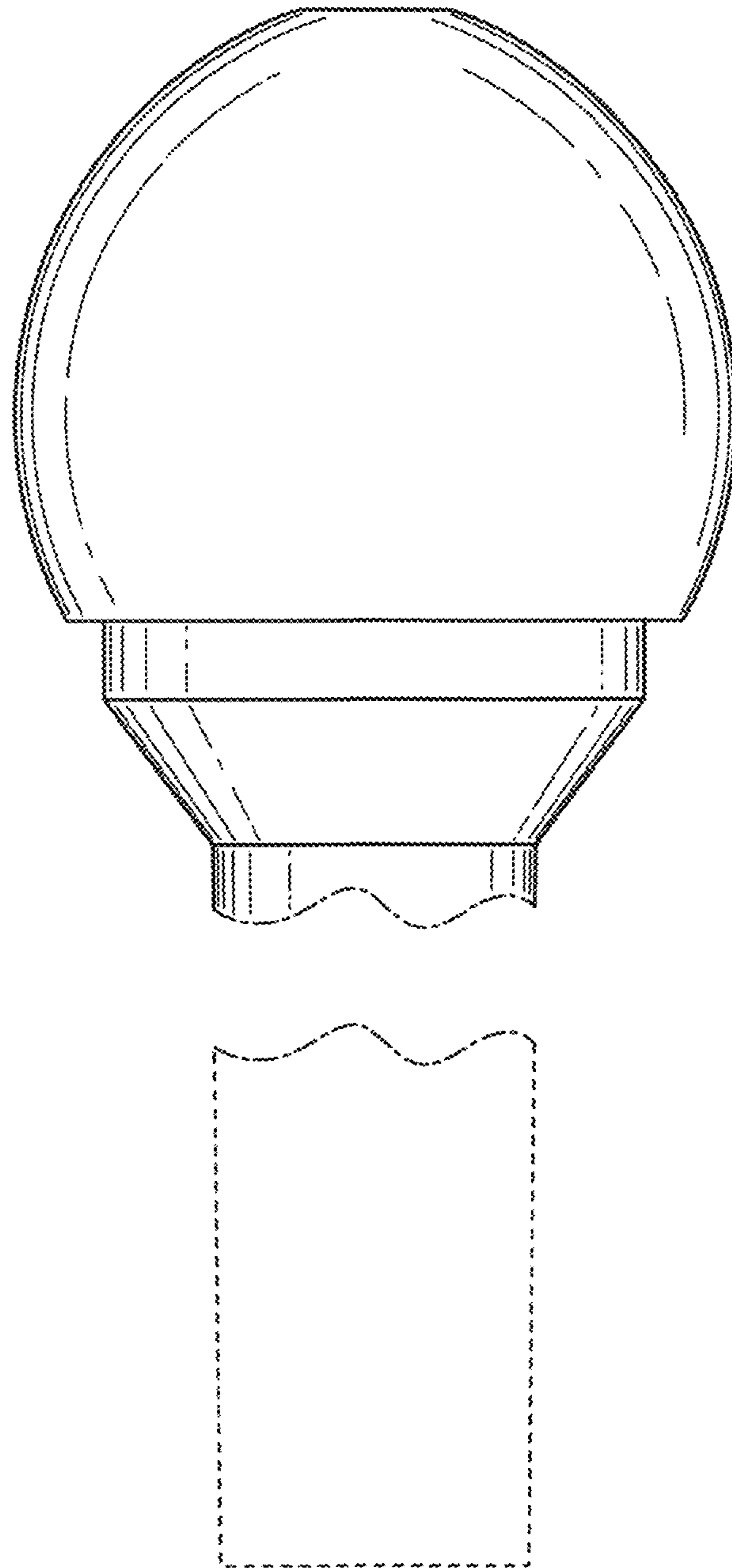


FIG. 10

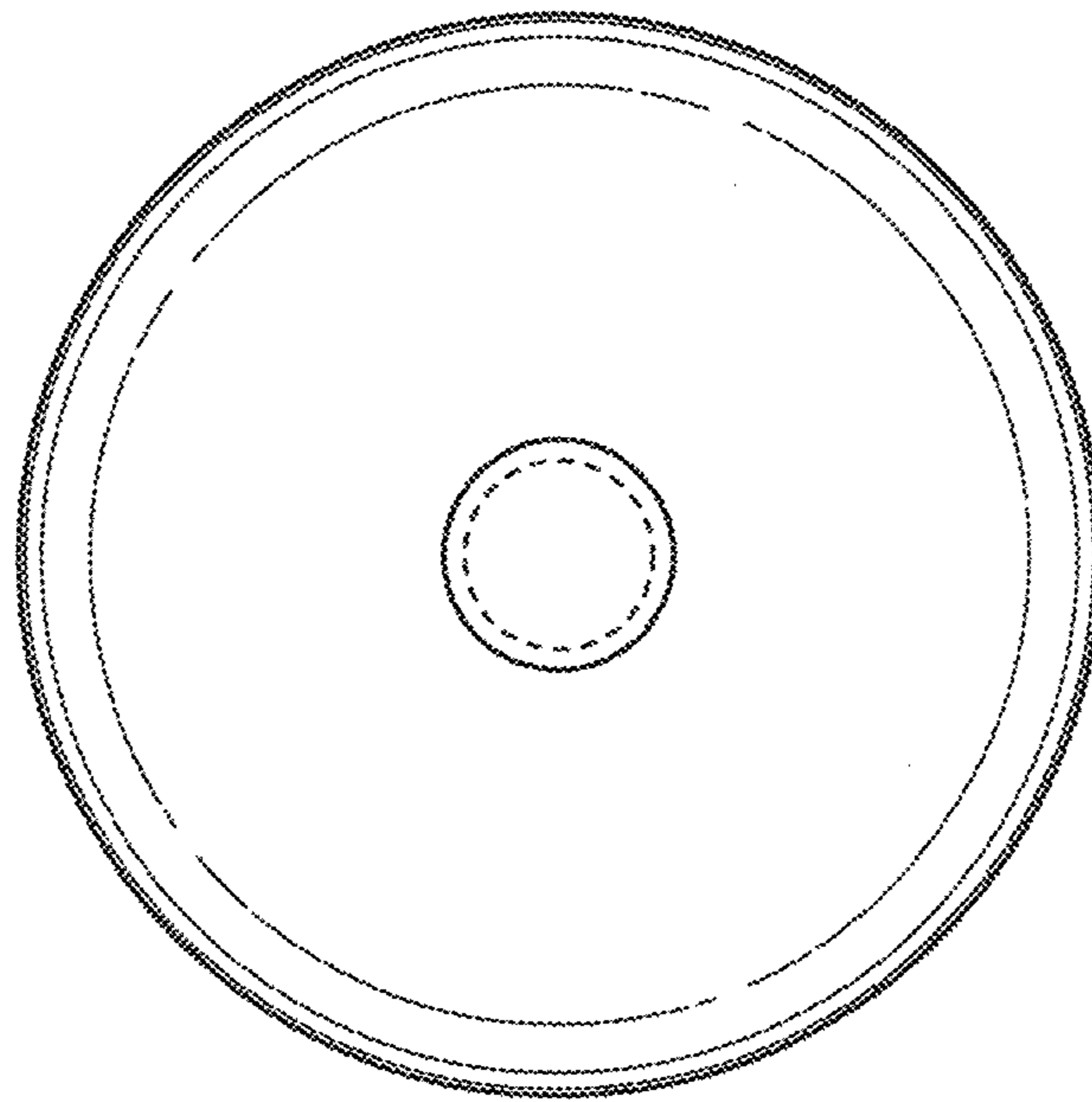


FIG. 11

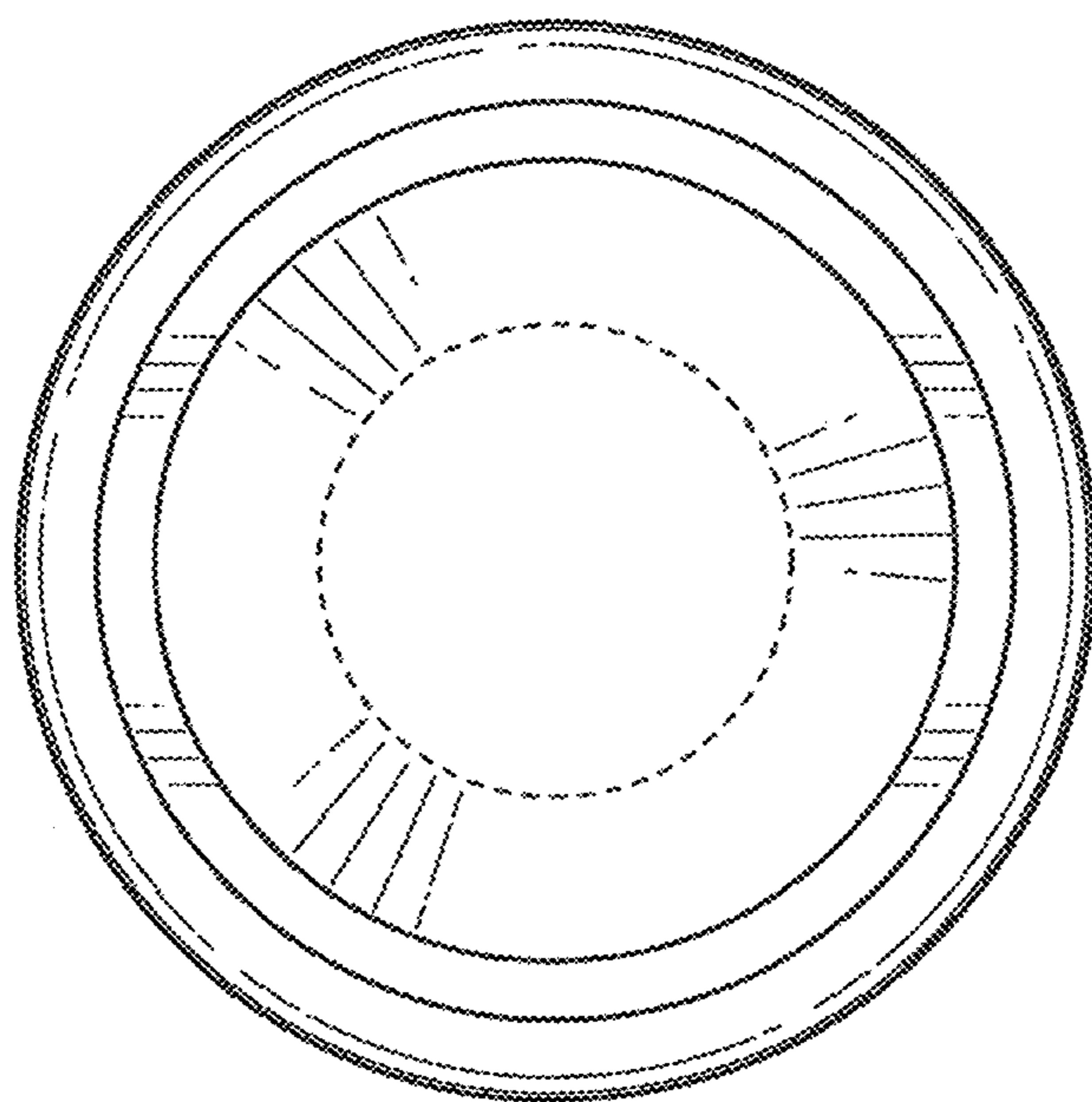


FIG. 12