

US00D829881S

(12) **United States Design Patent**
Wang

(10) **Patent No.:** **US D829,881 S**

(45) **Date of Patent:** **** Oct. 2, 2018**

- (54) **CEILING FAN BLADE MOUNTING RING**
- (71) Applicant: **AIR COOL INDUSTRIAL CO., LTD.**, Taichung (TW)
- (72) Inventor: **Cliff Wang**, Taichung (TW)
- (73) Assignee: **AIR COOL INDUSTRIAL CO., LTD.**, Taichung (TW)
- (**) Term: **15 Years**
- (21) Appl. No.: **29/608,432**
- (22) Filed: **Jun. 21, 2017**
- (51) **LOC (11) Cl.** **23-03**
- (52) **U.S. Cl.**
USPC **D23/411**
- (58) **Field of Classification Search**
USPC D23/335-337, 355, 370-385, 411-414;
D26/59, 67, 72, 80-89, 92, 104-105, 110,
D26/113, 118-119, 128-137; D16/203;
D8/352, 354, 396, 382, 358, 399
CPC F04D 25/088
See application file for complete search history.

- 6,234,757 B1 * 5/2001 Pearce F04D 25/088
416/244 R
- D523,952 S * 6/2006 Ertze D23/411
- D603,954 S * 11/2009 Curtin D23/411
- D636,804 S * 4/2011 Anneback D16/203
- D636,805 S * 4/2011 Anneback D16/203
- D651,696 S * 1/2012 Giordano D23/262
- D655,328 S * 3/2012 Anneback D16/203
- D678,499 S * 3/2013 Pan D23/411
- D704,819 S * 5/2014 Wang D23/411
- D706,410 S * 6/2014 Pan D23/411
- D706,970 S * 6/2014 Wang D26/59
- D714,629 S * 10/2014 Irgens D8/394
- D714,630 S * 10/2014 Irgens D8/394
- D737,130 S * 8/2015 Carrubba D8/382
- D749,407 S * 2/2016 Naslund D8/382
- D750,467 S * 3/2016 Hill D8/349
- D750,682 S * 3/2016 Andersson D16/203

(Continued)

Primary Examiner — Cathron C Brooks

Assistant Examiner — Sharon S Oum

(74) *Attorney, Agent, or Firm* — Pai Patent & Trademark Law Firm; Chao-Chang David Pai

(57) **CLAIM**

The ornamental design for a ceiling fan blade mounting ring, as shown and described.

DESCRIPTION

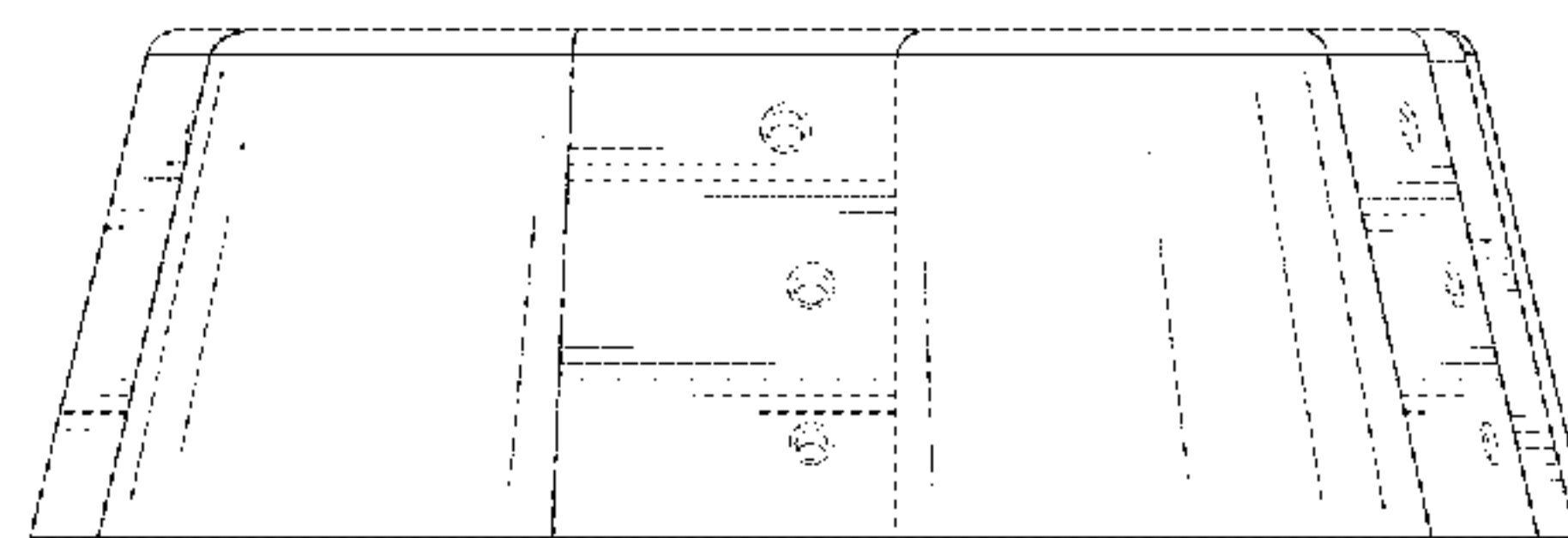
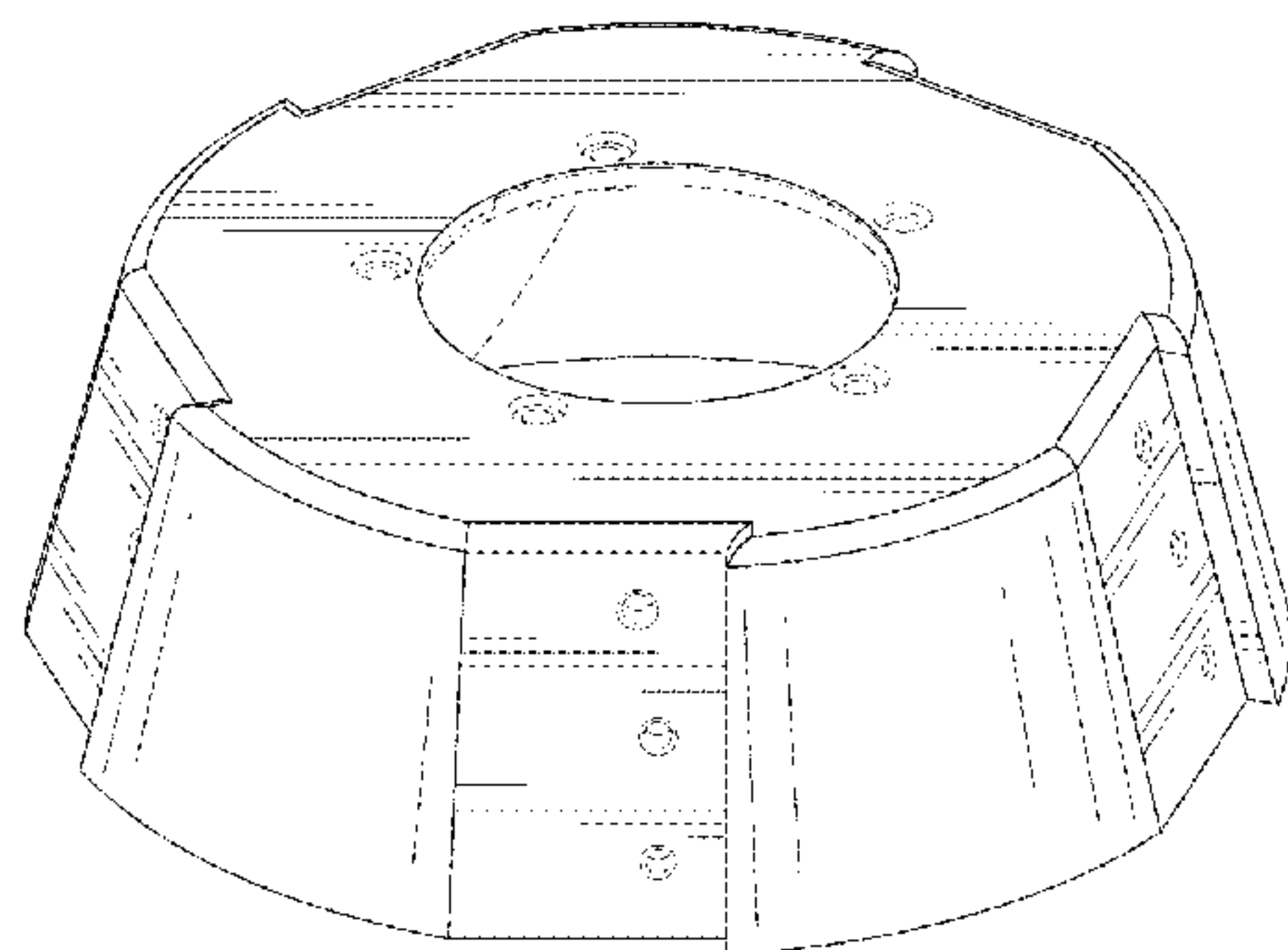
FIG. 1 is a front top perspective view of a ceiling fan blade mounting ring showing my new design;
 FIG. 2 is a front elevational view thereof;
 FIG. 3 is a rear elevational view thereof;
 FIG. 4 is a left side elevational view thereof;
 FIG. 5 is a right side elevational view thereof;
 FIG. 6 is a top plan view thereof;
 FIG. 7 is a bottom plan view thereof; and,
 FIG. 8 is a front bottom perspective view thereof.
 The broken lines illustrate portions of the ceiling fan blade mounting ring that form no part of the claimed design.

1 Claim, 6 Drawing Sheets

(56) **References Cited**

U.S. PATENT DOCUMENTS

- D248,503 S * 7/1978 Grindle D26/67
- D374,074 S * 9/1996 Chen D23/377
- 5,658,129 A * 8/1997 Pearce F04D 25/088
416/146 R
- D383,528 S * 9/1997 Collmar D23/377
- D394,107 S * 5/1998 Tsuji D23/385
- D408,520 S * 4/1999 Zuege D23/385
- D408,909 S * 4/1999 Zuege D23/385
- 5,899,663 A * 5/1999 Feder F04D 29/646
416/5
- D420,125 S * 2/2000 Johnson D23/377
- 6,213,717 B1 * 4/2001 Bucher F04D 25/088
415/119



(56)

References Cited

U.S. PATENT DOCUMENTS

D753,752	S *	4/2016	Ahman	D16/203
D759,799	S *	6/2016	Wang	D23/385
D774,176	S *	12/2016	Wang	D23/385
D782,025	S *	3/2017	Pickett	D23/377
D799,669	S *	10/2017	Wang	D23/377
D799,684	S *	10/2017	Wang	D23/411
D799,688	S *	10/2017	Wang	D23/413
D804,640	S *	12/2017	Haggar	D23/377
D804,646	S *	12/2017	Schulzman	D23/411
D805,173	S *	12/2017	Vajen Habig	D23/377
D809,691	S *	2/2018	Wang	D26/59
D810,918	S *	2/2018	Holmes	D23/377
D811,578	S *	2/2018	Badarello	D23/411
D819,799	S *	6/2018	Wang	D23/377
2007/0104583	A1 *	5/2007	Gajewski	F04D 25/088 416/210 R
2009/0004014	A1 *	1/2009	Wang	F04D 25/08 416/210 R
2009/0004015	A1 *	1/2009	Wang	F04D 25/088 416/210 R
2009/0004016	A1 *	1/2009	Wang	F04D 25/088 416/210 R
2010/0329885	A1 *	12/2010	Criner	F04D 25/088 416/244 R
2016/0131152	A1 *	5/2016	Wang	F04D 29/34 416/214 R
2017/0350414	A1 *	12/2017	Wang	F04D 29/34

* cited by examiner

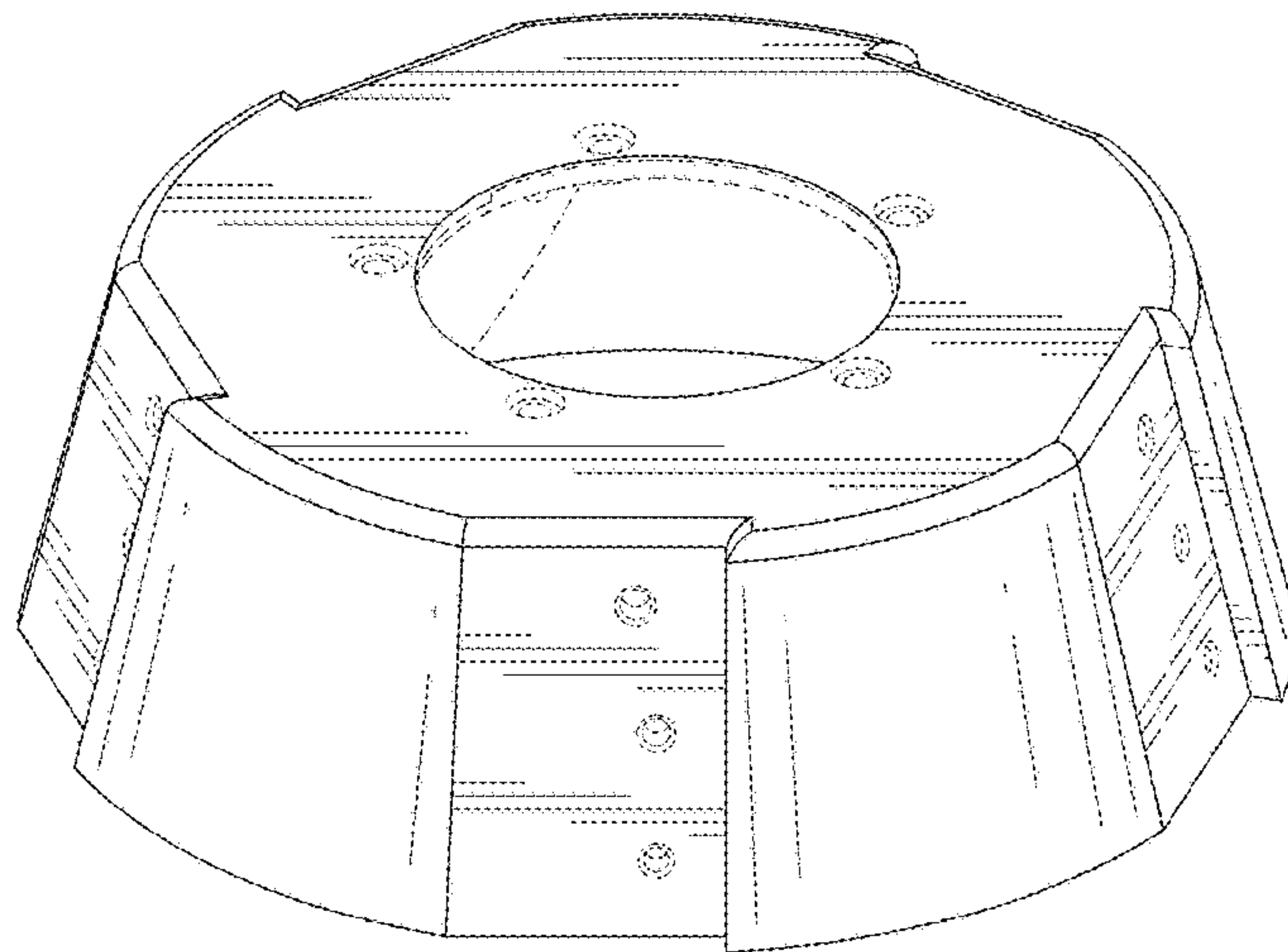


FIG. 1

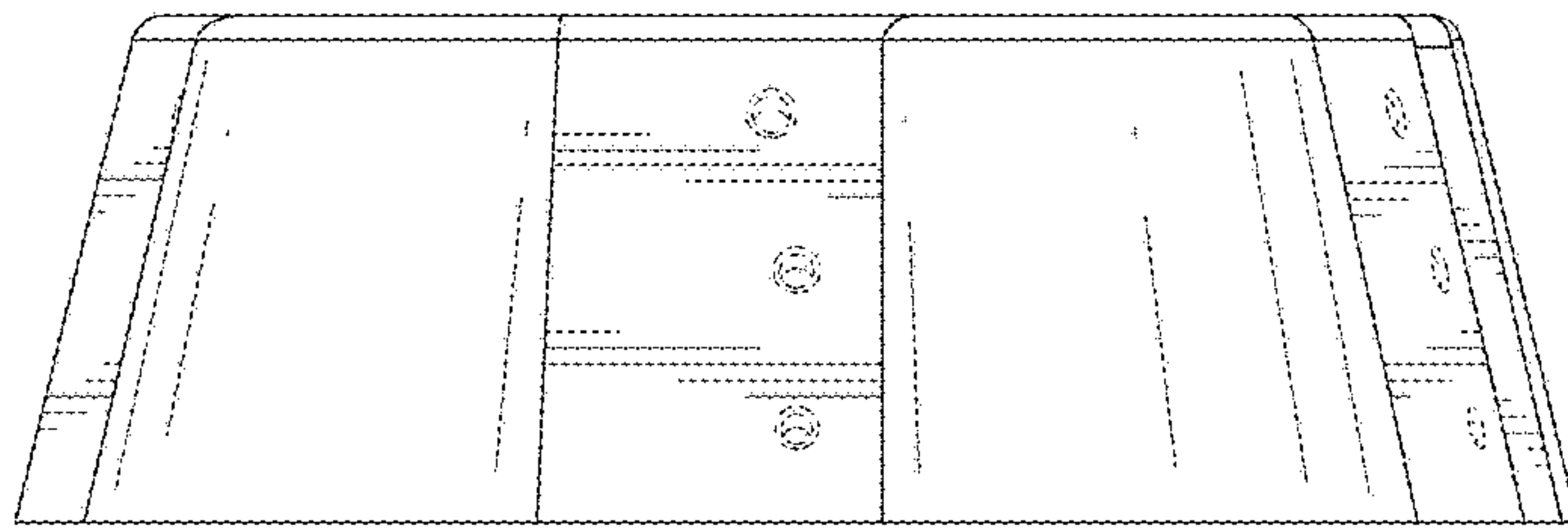


FIG. 2

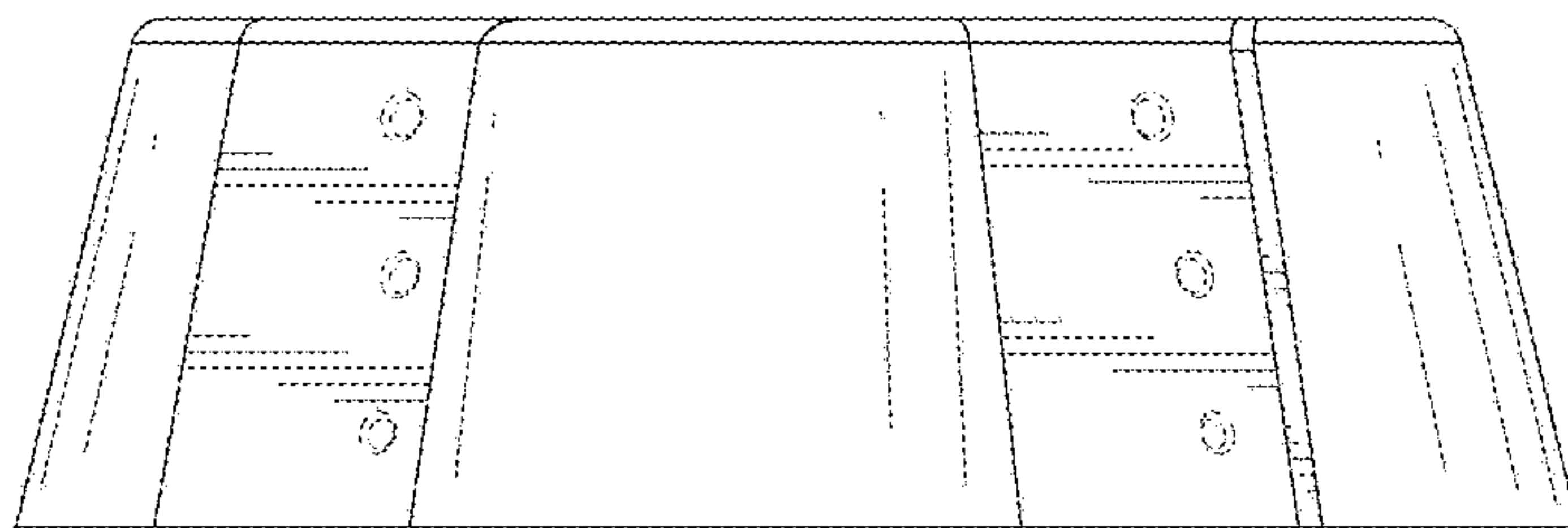


FIG. 3

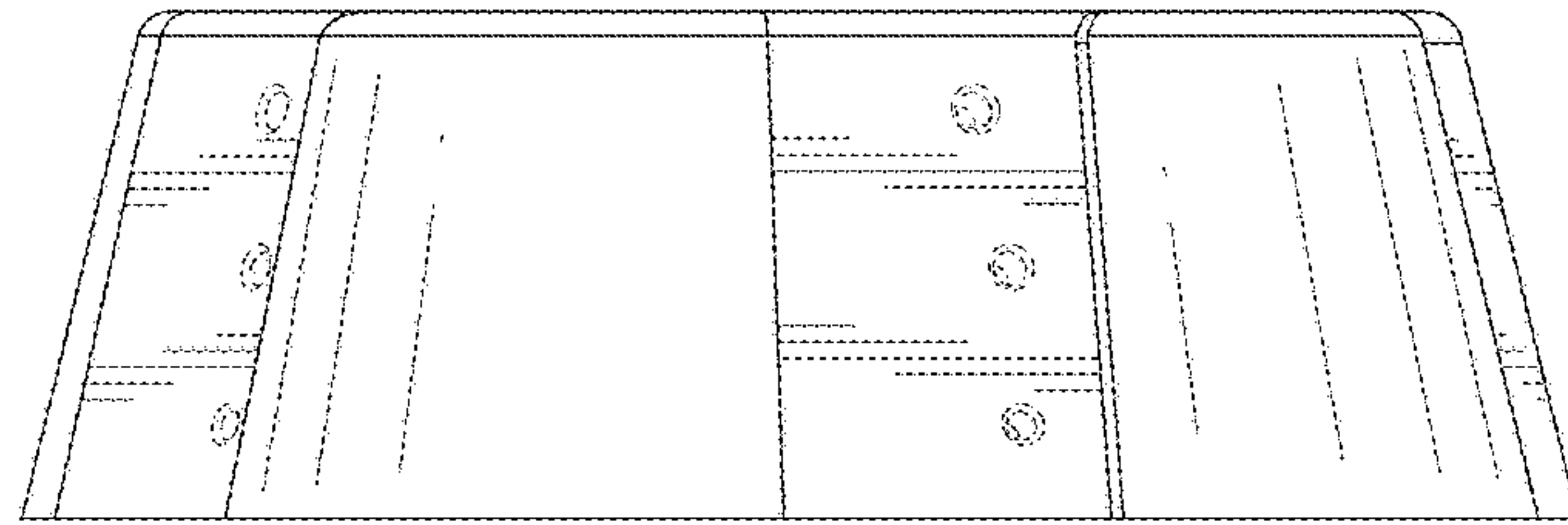


FIG. 4

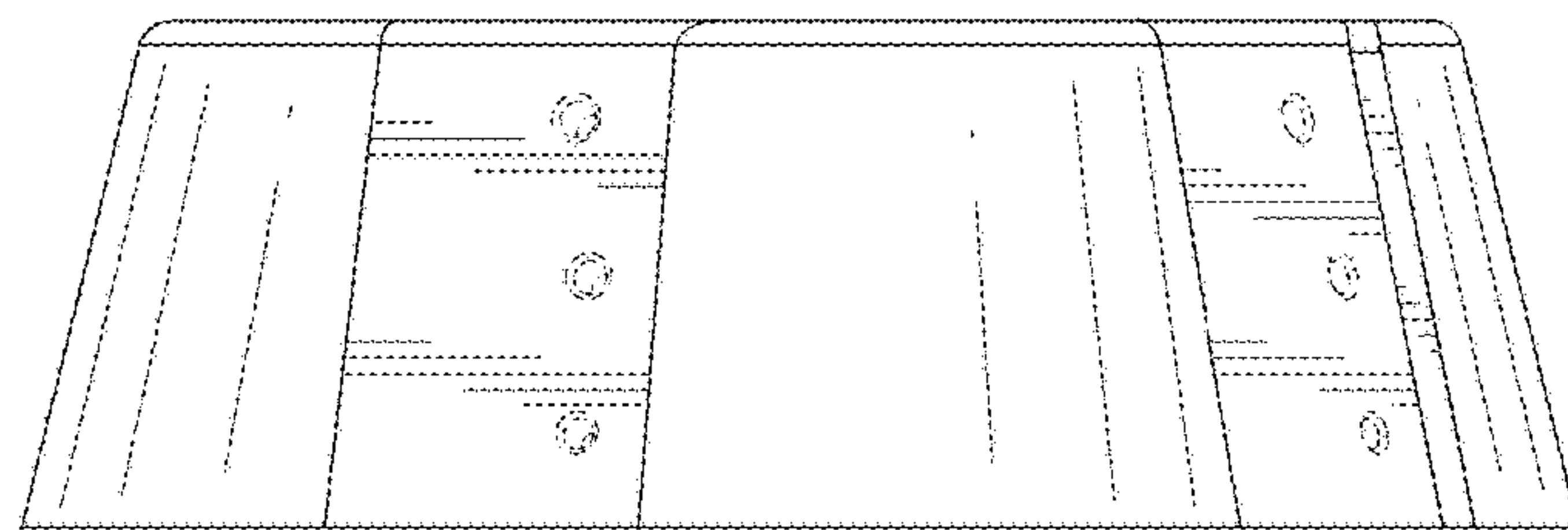


FIG. 5

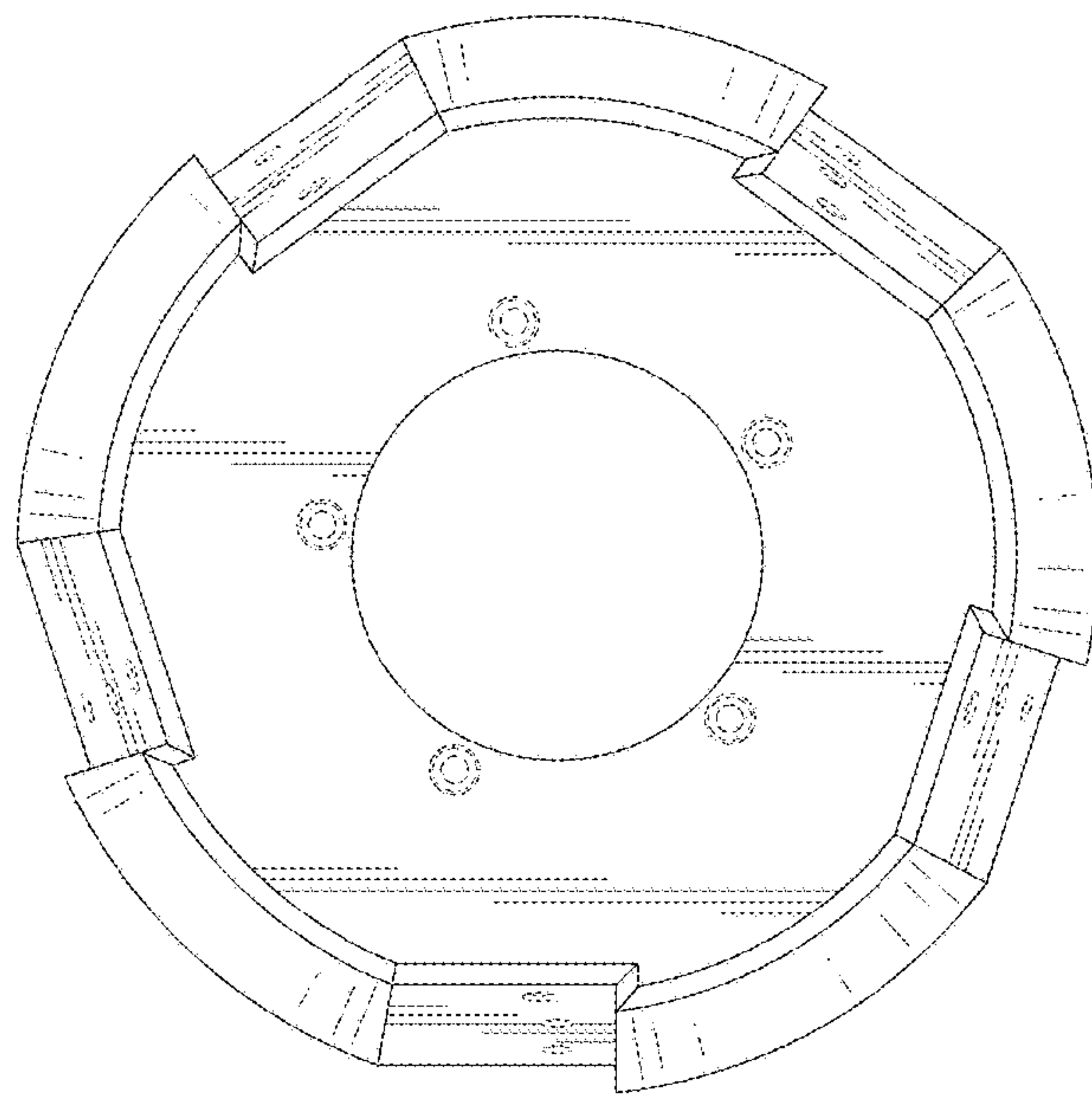


FIG. 6

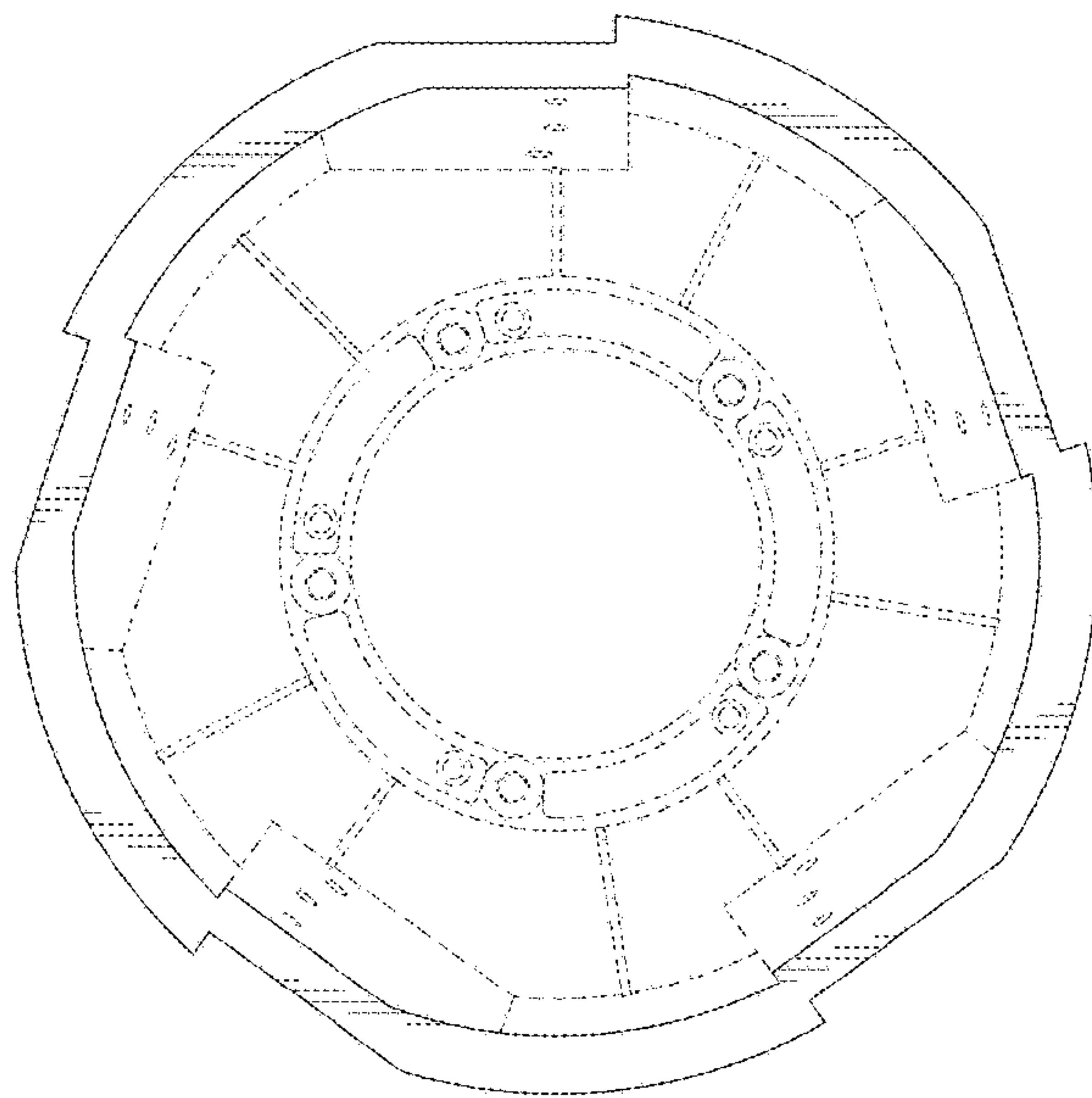


FIG. 7

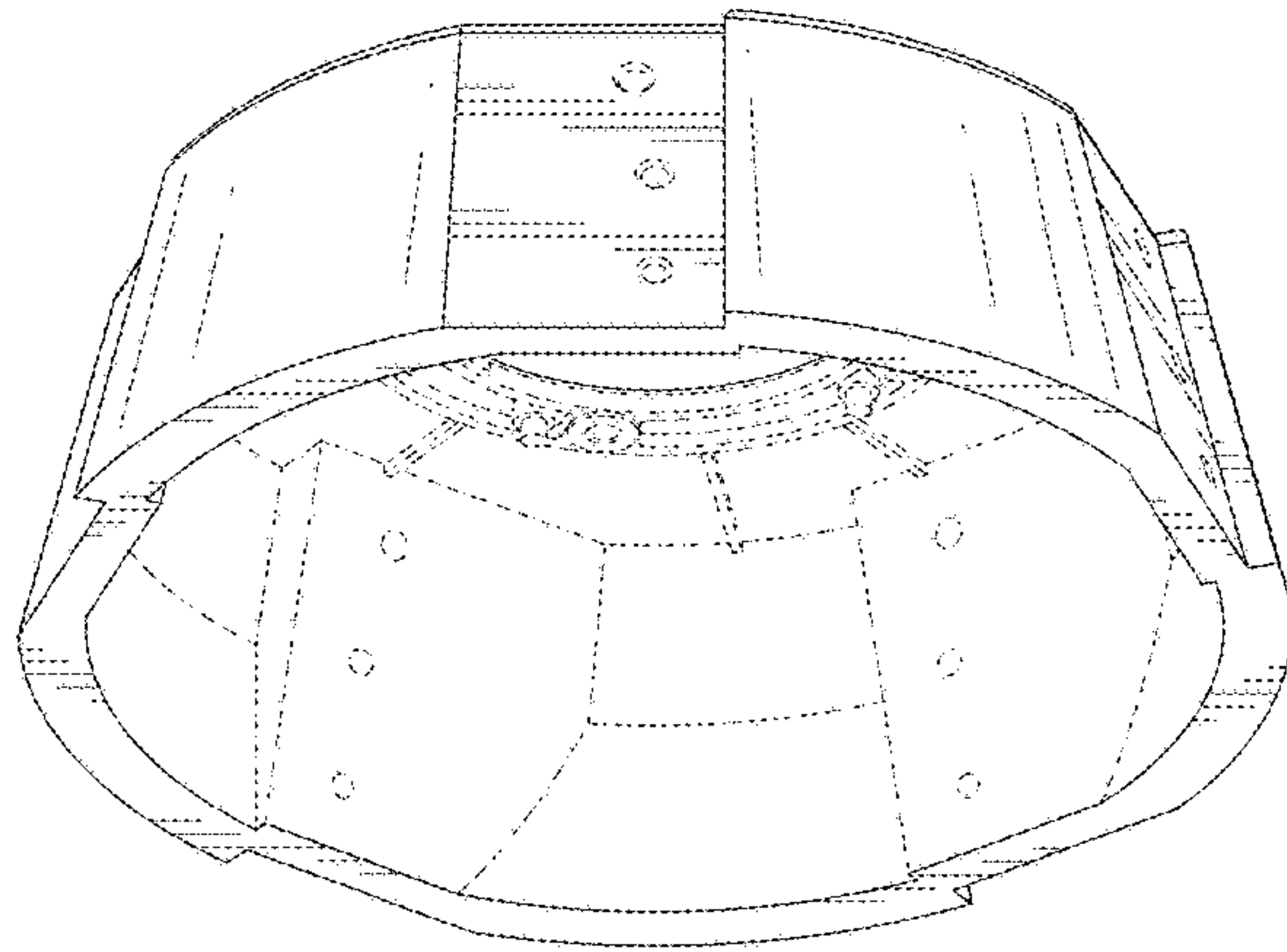


FIG. 8