



US00D829880S

(12) **United States Design Patent**
Ediger et al.

(10) **Patent No.:** **US D829,880 S**

(45) **Date of Patent:** **** Oct. 2, 2018**

- (54) **FAN**
- (71) Applicant: **Vornado Air LLC**, Andover, KS (US)
- (72) Inventors: **Glen W. Ediger**, North Newton, KS (US); **Brian Cartwright**, Wichita, KS (US); **Gary Israel**, Andover, KS (US); **Gregory Pease**, Andover, KS (US)
- (73) Assignee: **VORNADO AIR, LLC**, Andover, KS (US)
- (**) Term: **15 Years**
- (21) Appl. No.: **29/604,867**
- (22) Filed: **May 22, 2017**
- (51) **LOC (11) Cl.** **23-04**
- (52) **U.S. Cl.**
USPC **D23/382**
- (58) **Field of Classification Search**
USPC D23/370, 377, 378, 381, 382
CPC A44C 15/007; A61C 13/08; A61C 13/081;
A61C 13/082; A61C 13/0835; A61C
13/225; A61C 5/00; A61C 5/20; A61C
5/70; A61C 7/002
See application file for complete search history.

(56) **References Cited**

U.S. PATENT DOCUMENTS

- D312,124 S * 11/1990 Coup D23/382
- D329,089 S * 9/1992 Coup D23/382

- D398,983 S * 9/1998 Keller D23/381
- D413,664 S * 9/1999 Keller D23/381
- D457,618 S * 5/2002 Lee D23/382
- D538,920 S * 3/2007 Russak D23/382
- D571,447 S * 6/2008 Russak D23/382
- D630,723 S * 1/2011 Ediger D23/411
- D688,368 S * 8/2013 Ediger D23/382
- D692,996 S * 11/2013 Alexander D23/370
- D764,045 S * 8/2016 Griz D23/382
- 2007/0166160 A1 * 7/2007 Russak F04D 25/08
416/63

* cited by examiner

Primary Examiner — Janice Hallmark

(74) *Attorney, Agent, or Firm* — Milligan PC LLO

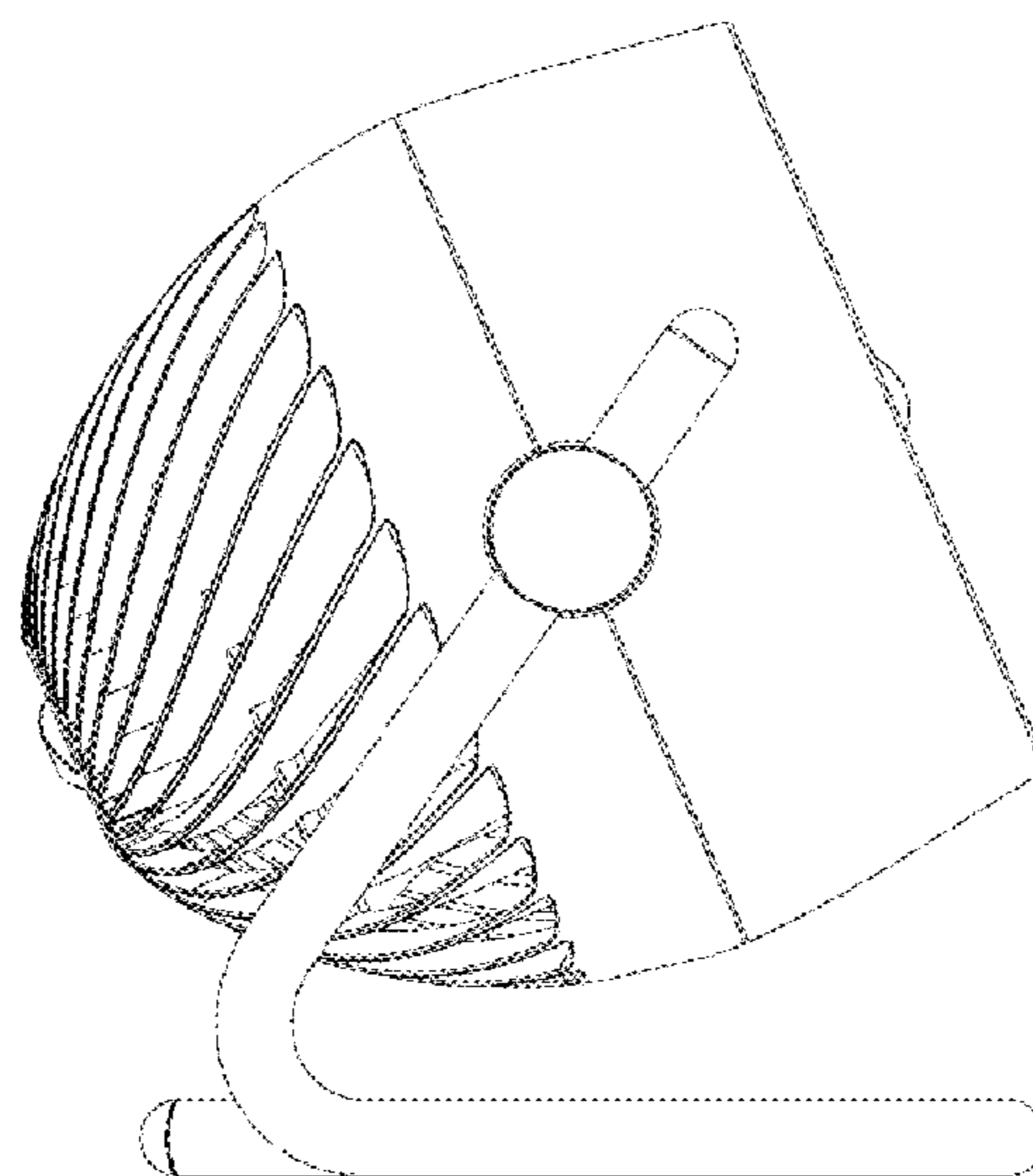
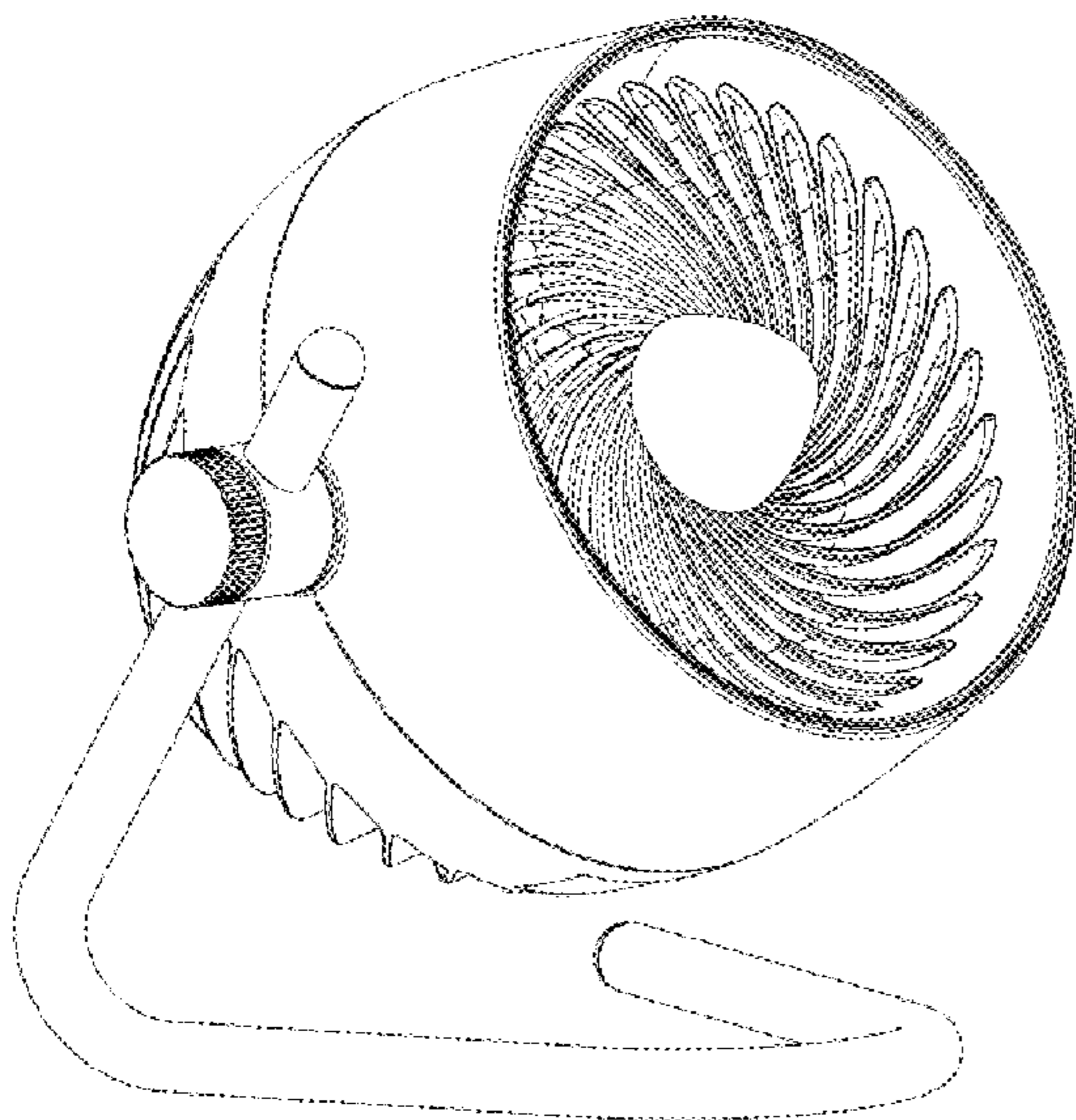
(57) **CLAIM**

The ornamental design for a fan, as shown and described.

DESCRIPTION

FIG. 1 is a left front perspective view of a fan in accordance with the present invention;
 FIG. 2 is a front elevation view thereof;
 FIG. 3 is a right front perspective view thereof;
 FIG. 4 is a back elevation view thereof;
 FIG. 5 is a top plan view thereof;
 FIG. 6 is a right side elevation view thereof;
 FIG. 7 is a rear elevation view thereof;
 FIG. 8 is a left rear perspective view thereof;
 FIG. 9 is a right rear perspective view thereof; and,
 FIG. 10 is a bottom plan view thereof.

1 Claim, 10 Drawing Sheets



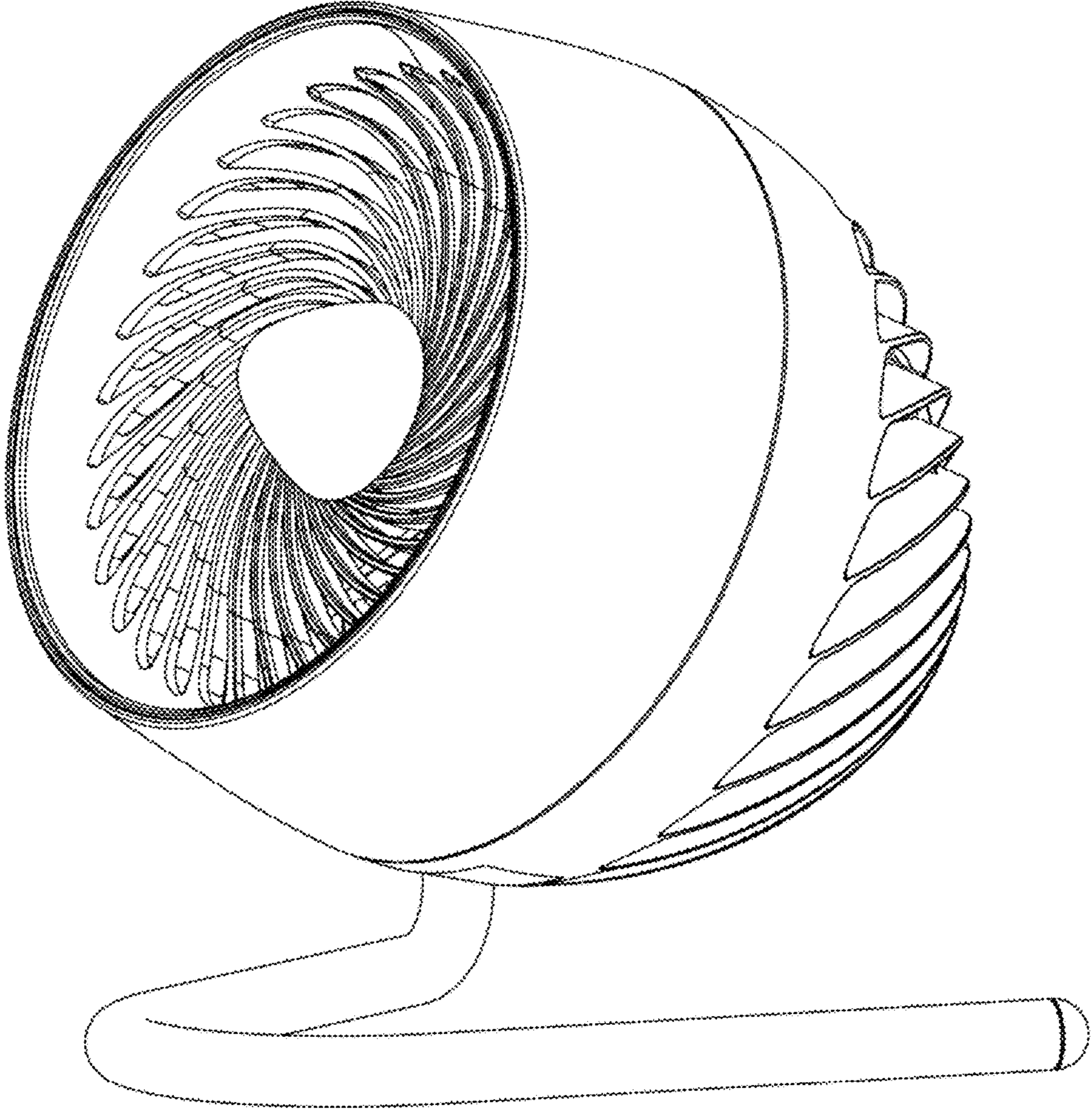


FIG. 1

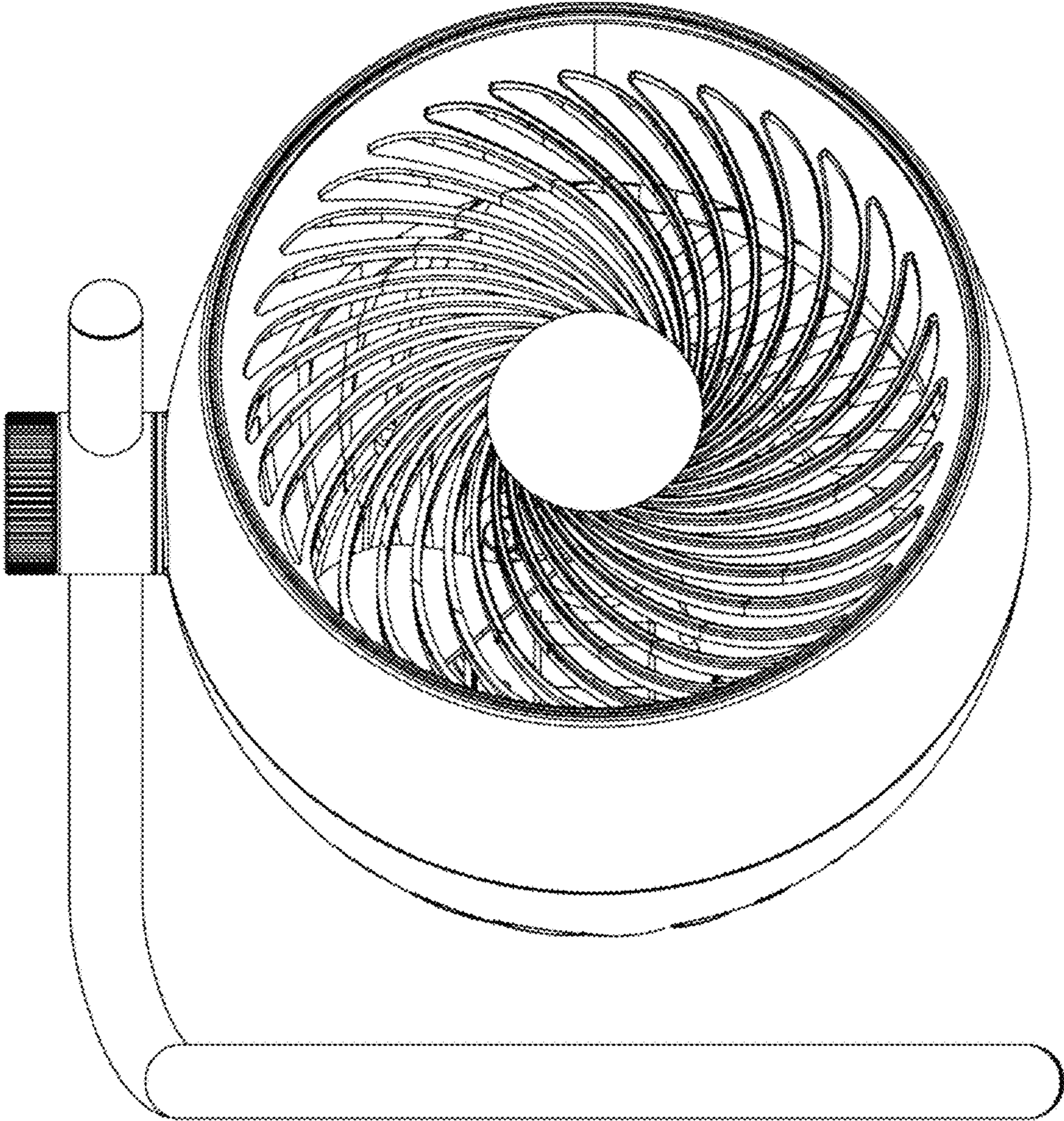


FIG. 2

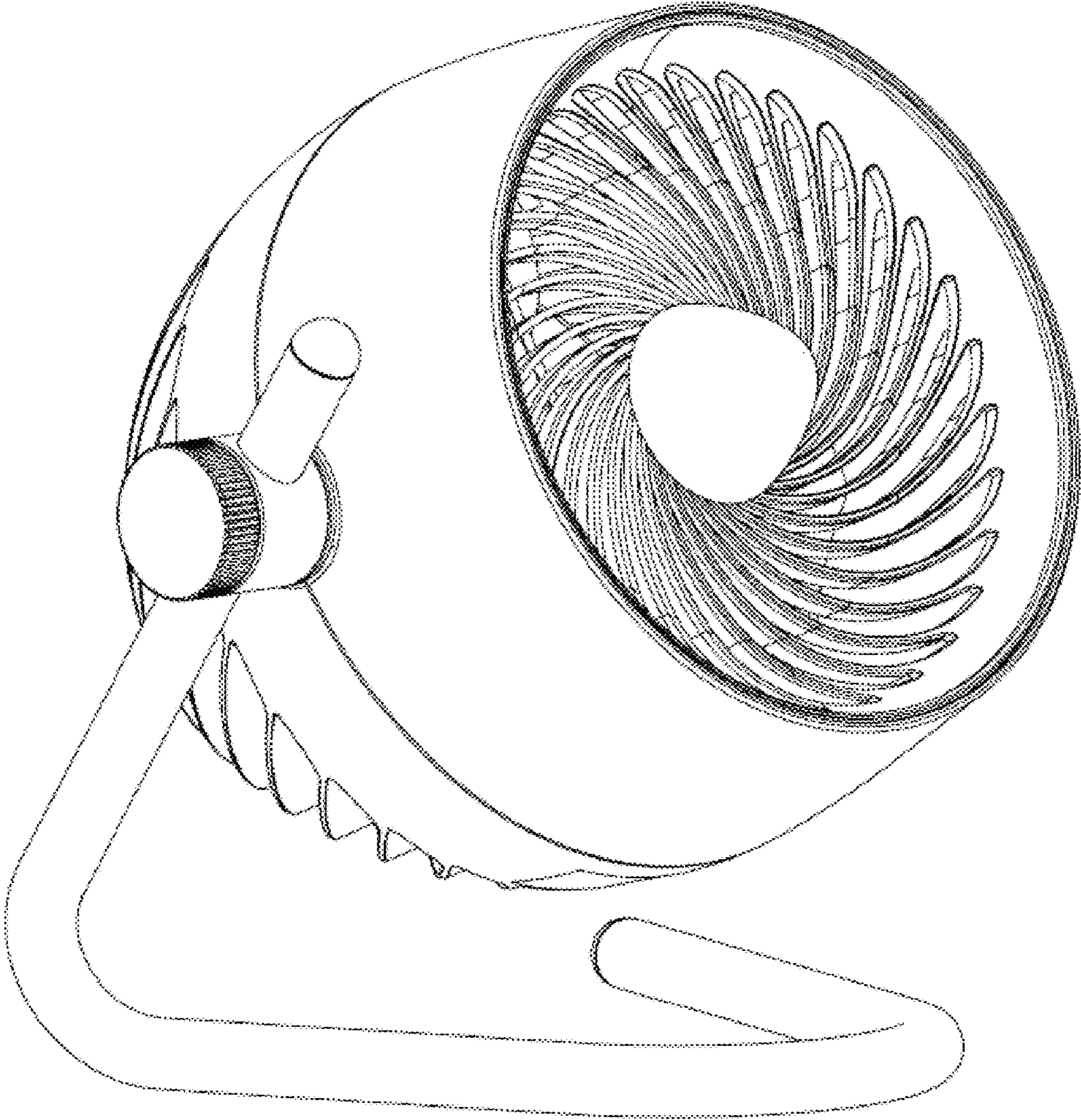


FIG. 3

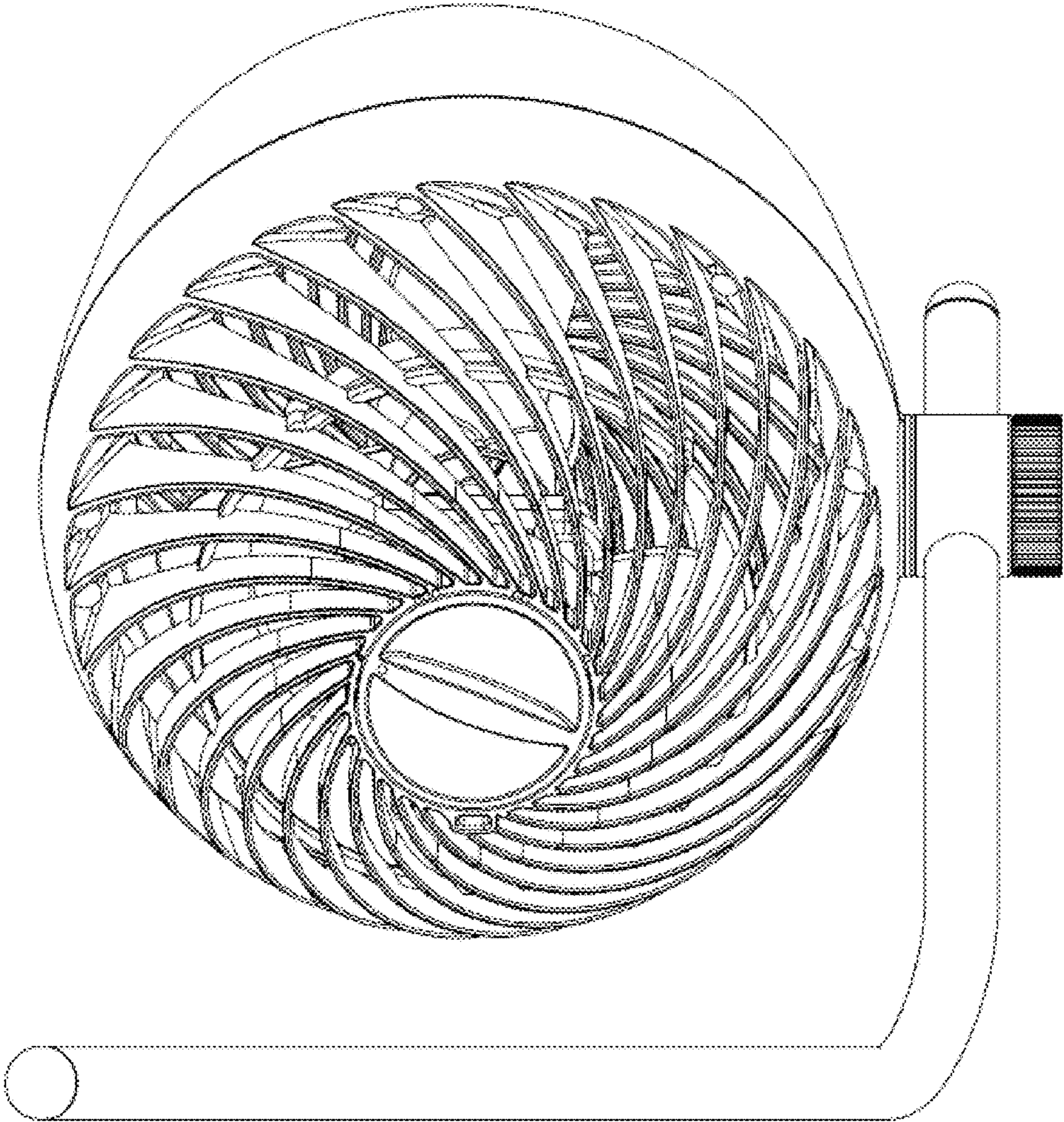


FIG. 4

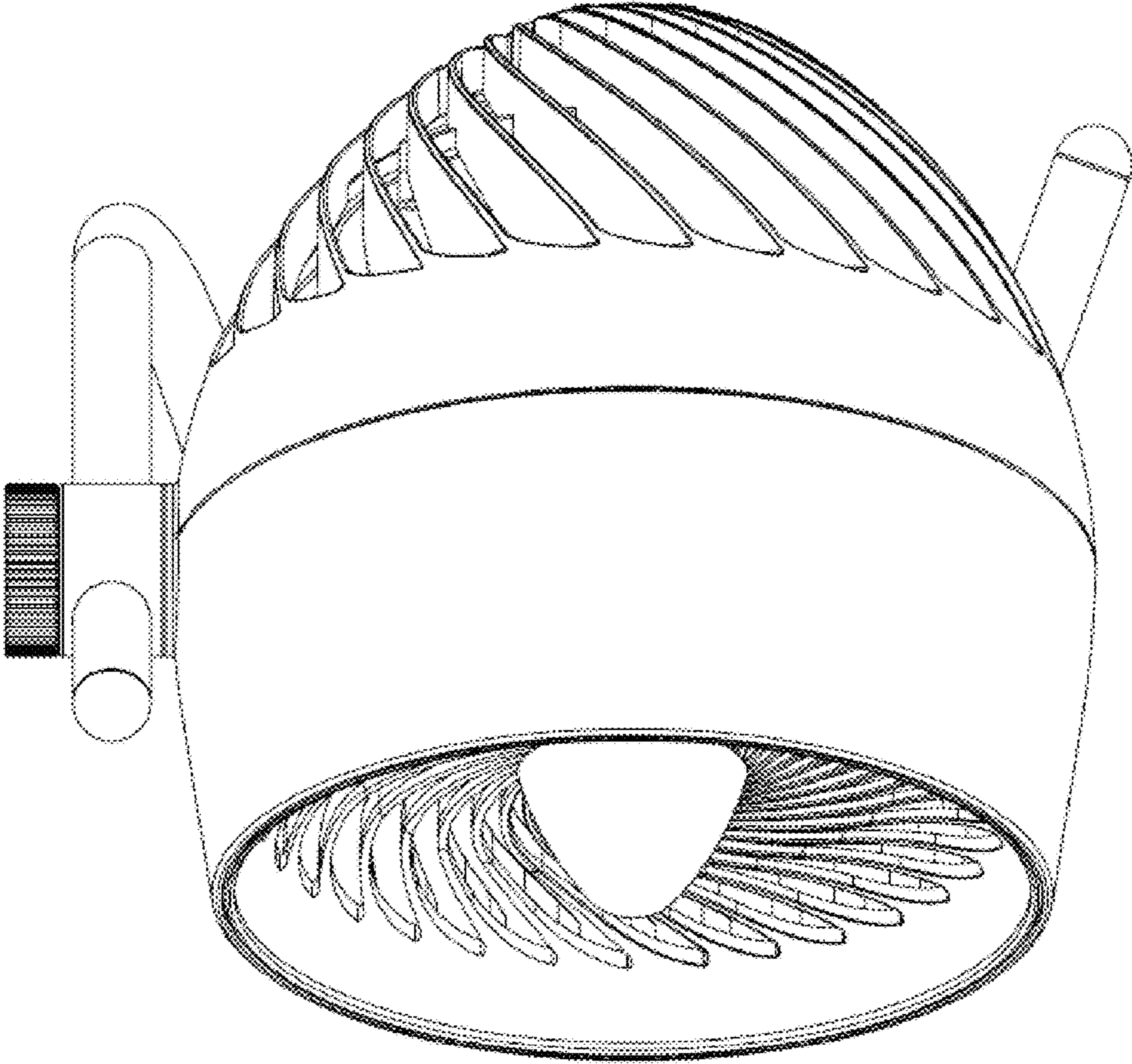


FIG. 5

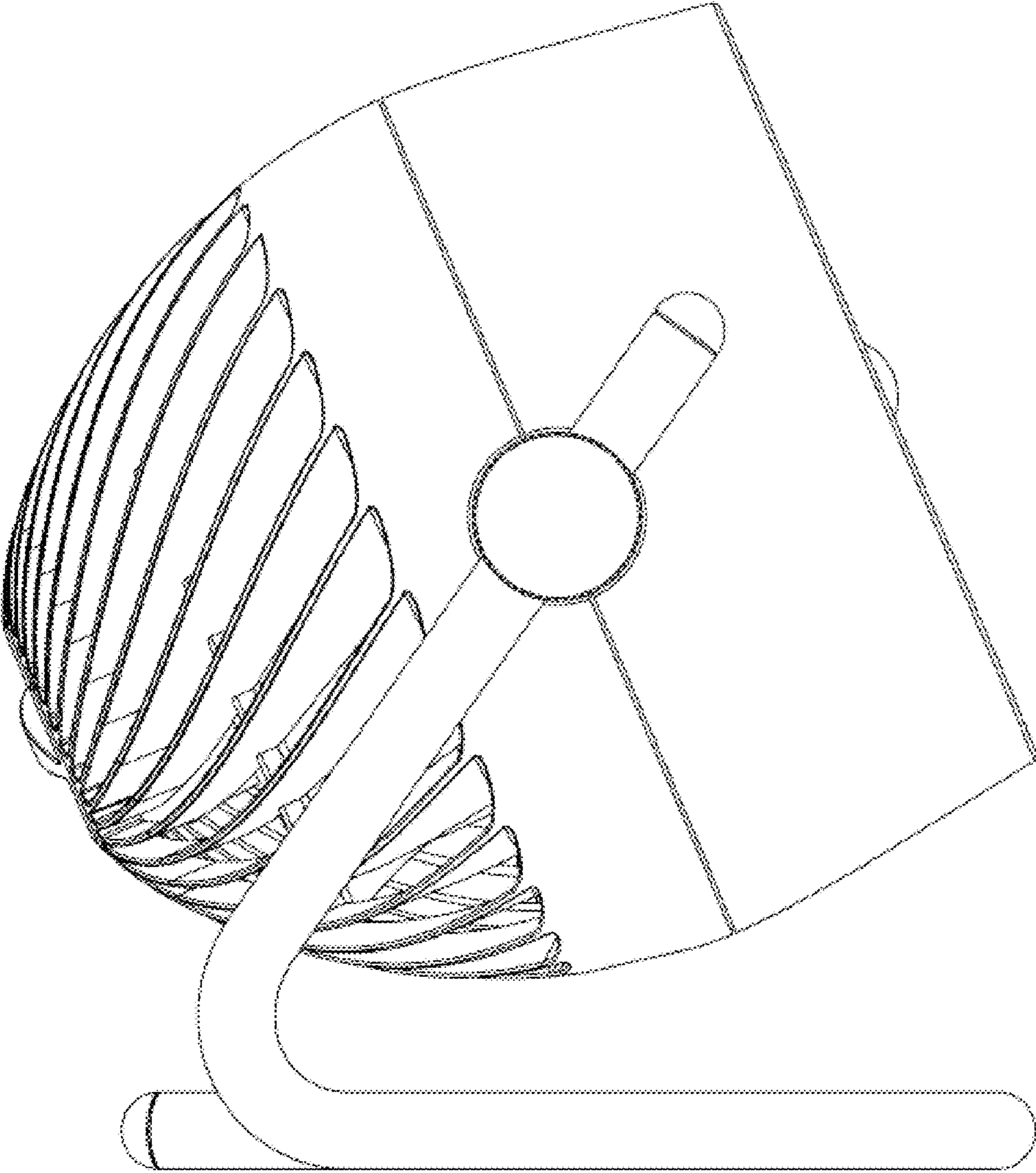


FIG. 6

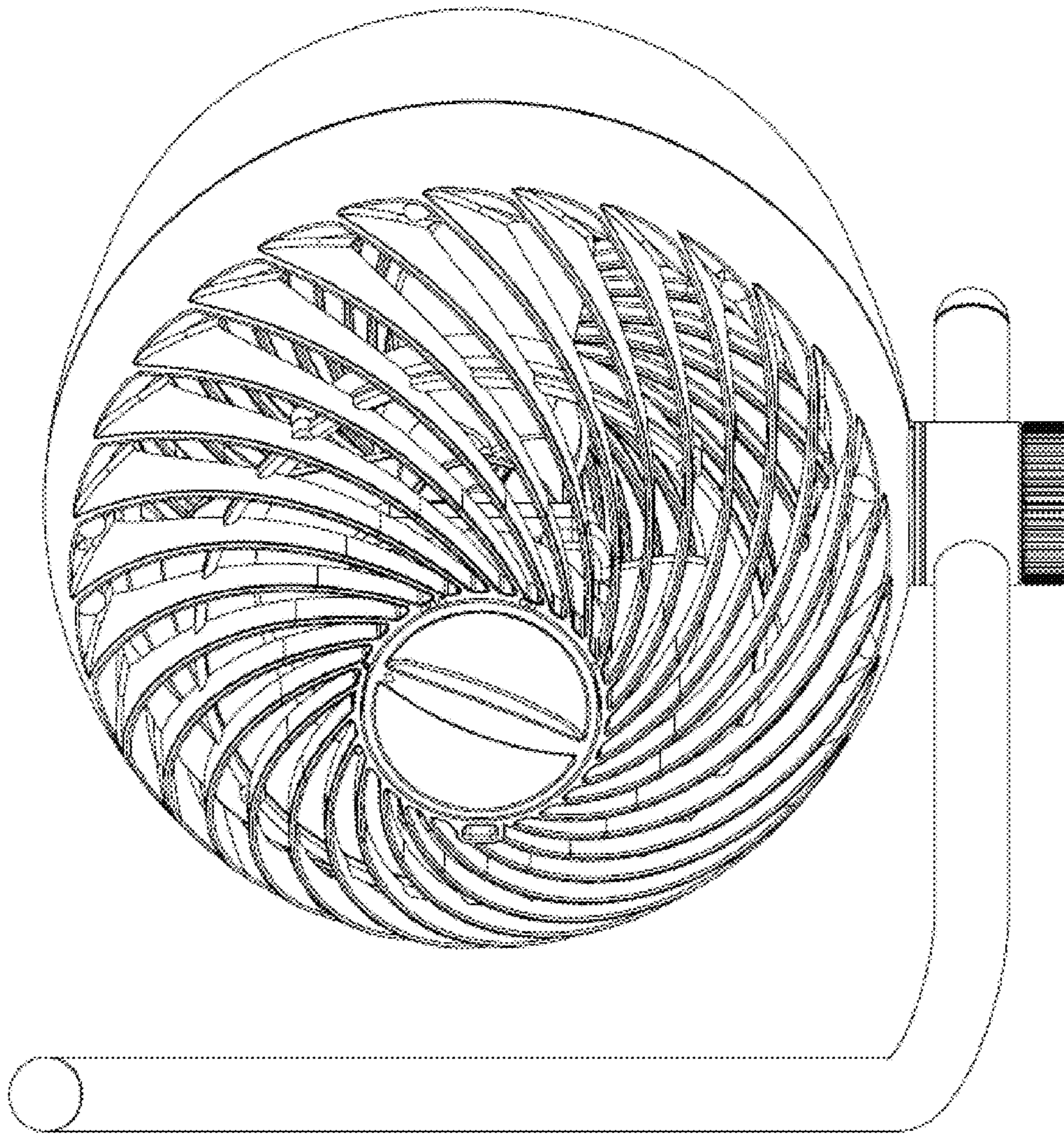


FIG. 7

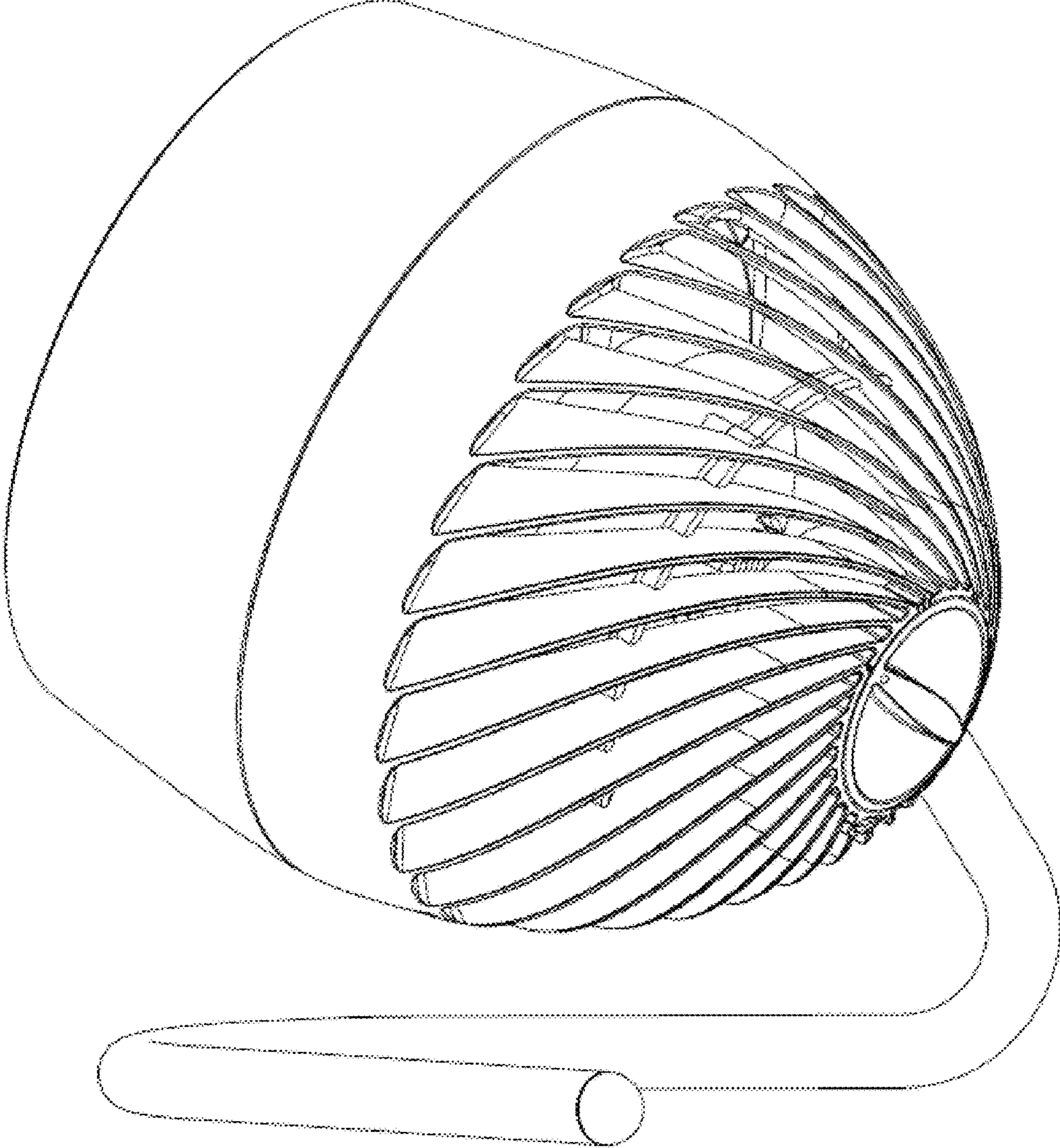


FIG. 8

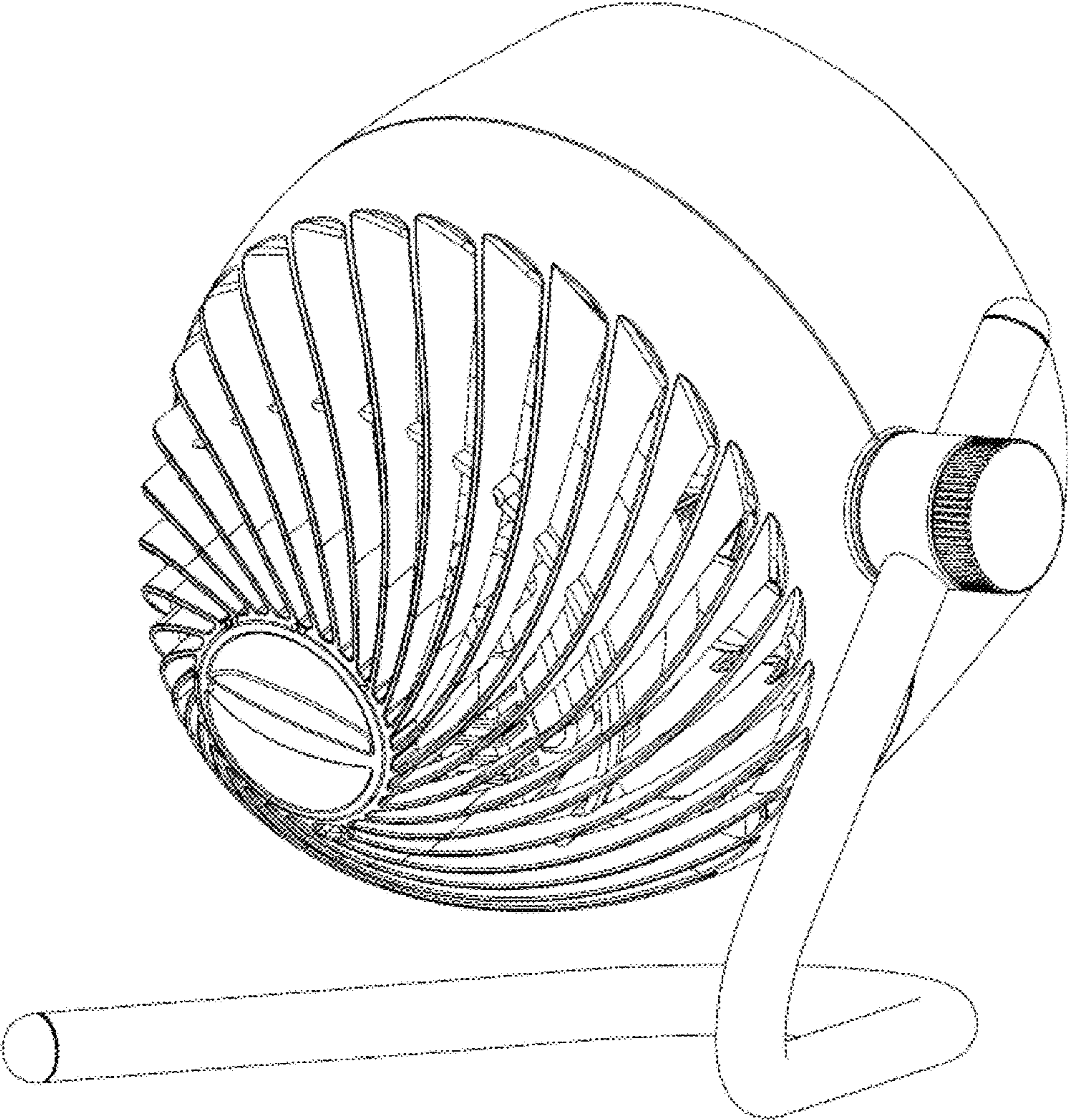


FIG. 9

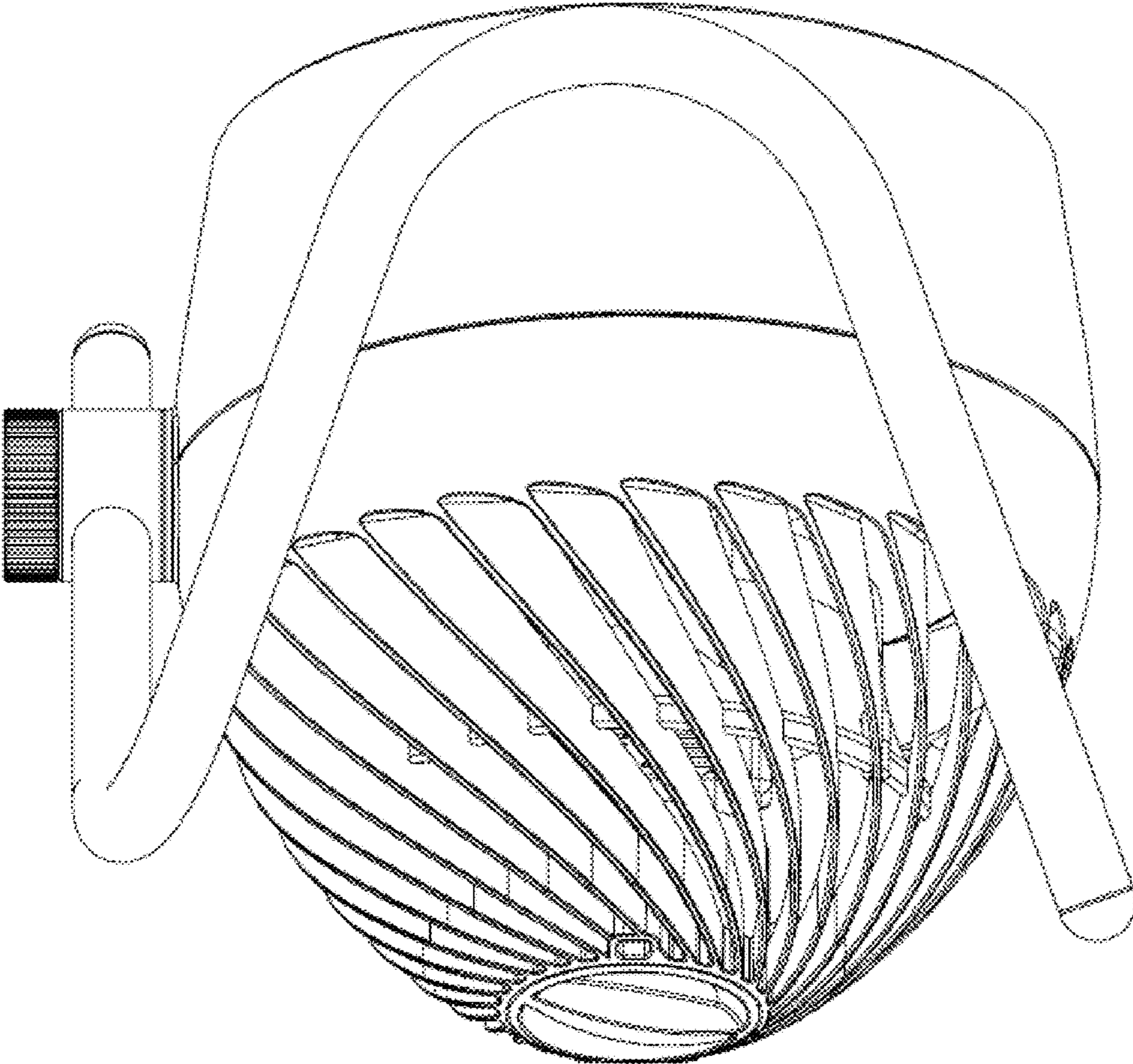


FIG. 10