



US00D829879S

(12) **United States Design Patent** (10) **Patent No.:** **US D829,879 S**  
**Coffman, III et al.** (45) **Date of Patent:** **\*\* Oct. 2, 2018**

(54) **SUPPORT FRAME FOR A POSITIVE PRESSURE BLOWER**  
(71) Applicant: **Tempest Technology Corporation**, Fresno, CA (US)  
(72) Inventors: **Leroy B. Coffman, III**, Clovis, CA (US); **William T. Allen**, Sanger, CA (US)  
(73) Assignee: **Tempest Technology Corporation**, Fresno, CA (US)

|                   |         |                    |                       |
|-------------------|---------|--------------------|-----------------------|
| 4,239,459 A       | 12/1980 | Felter             |                       |
| 4,261,255 A       | 4/1981  | Anderson et al.    |                       |
| 4,657,478 A       | 4/1987  | LaZebnik et al.    |                       |
| 4,732,539 A       | 3/1988  | Shin-Chin          |                       |
| 4,906,164 A       | 3/1990  | Jackman et al.     |                       |
| 5,062,487 A       | 11/1991 | Siria et al.       |                       |
| D327,947 S        | 7/1992  | Clark              |                       |
| 5,205,711 A       | 4/1993  | Raczykowski        |                       |
| 5,395,087 A       | 3/1995  | VanBasten          |                       |
| 5,941,314 A       | 8/1999  | Weinmeister et al. |                       |
| D539,414 S *      | 3/2007  | Russak .....       | D23/411               |
| D638,924 S *      | 5/2011  | Perez .....        | D23/382               |
| D799,670 S *      | 10/2017 | McDonnell .....    | D23/378               |
| 2011/0293415 A1 * | 12/2011 | He .....           | F04B 35/06<br>415/220 |

(\*\*) Term: **15 Years**

\* cited by examiner

(21) Appl. No.: **29/593,046**

*Primary Examiner* — Cynthia Ramirez

(22) Filed: **Feb. 6, 2017**

*Assistant Examiner* — Gino Colan

(51) **LOC (11) Cl.** ..... **23-04**

(74) *Attorney, Agent, or Firm* — Mark D. Miller

(52) **U.S. Cl.**  
USPC ..... **D23/382**

(57) **CLAIM**

(58) **Field of Classification Search**  
USPC ..... D23/355, 370, 379, 380–384, 386–387, D23/336, 411, 378, 314, 328, 332, 341, D23/412; 416/246, 247 R, 244 R; D6/462, 312, 313; 415/220; 248/137  
CPC ... F04D 19/002; F04D 29/646; F04D 29/4226  
See application file for complete search history.

We claim the ornamental design for a support frame for a positive pressure blower, as shown and described.

**DESCRIPTION**

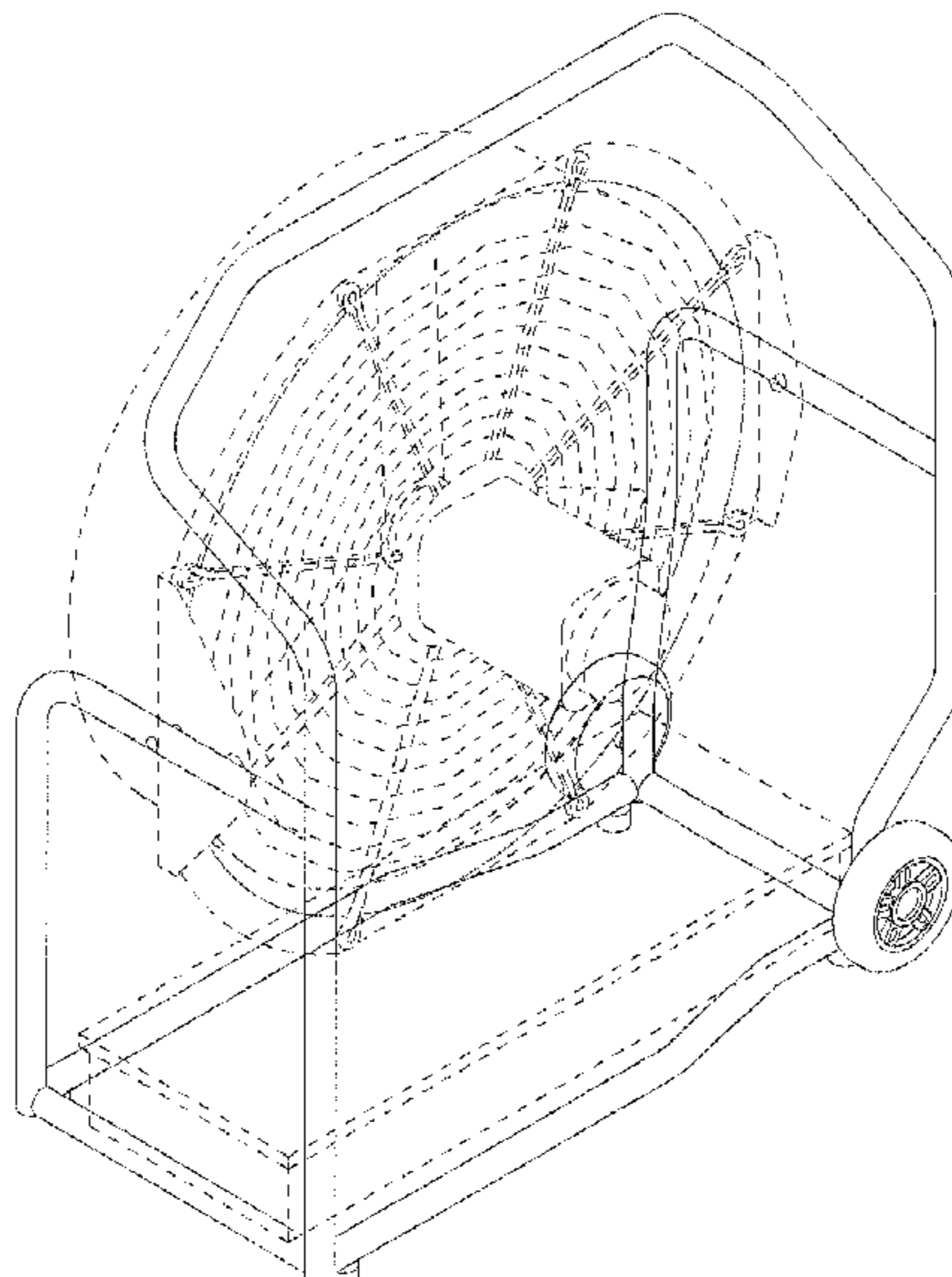
(56) **References Cited**

U.S. PATENT DOCUMENTS

|               |         |                      |                        |
|---------------|---------|----------------------|------------------------|
| 1,972,654 A   | 9/1934  | Heath                |                        |
| D169,007 S *  | 3/1953  | Lindberg et al. .... | D23/378                |
| D172,514 S *  | 6/1954  | Podall .....         | D23/378                |
| D181,083 S    | 9/1957  | Wells                |                        |
| D181,416 S    | 11/1957 | Hweitt               |                        |
| 2,830,779 A * | 4/1958  | Wentling .....       | F04D 29/646<br>248/137 |
| 2,954,198 A   | 9/1960  | Lindberg et al.      |                        |
| D192,622 S    | 4/1962  | Allen                |                        |

FIG. 1 is a right rear perspective view of a support frame for a positive pressure blower showing our new design; FIG. 2 is a left rear perspective view thereof; FIG. 3 is a front elevational view thereof; FIG. 4 is a rear elevational view thereof; FIG. 5 is a left side elevational view thereof; and FIG. 6 is a right side elevational view thereof. FIG. 7 is a bottom plan view thereof; FIG. 8 is a top plan view thereof; and, FIG. 9 is a tilted rear elevational view thereof. The broken lines shown in the figures are for the purpose of illustrating environment and form no part of the claimed design.

**1 Claim, 6 Drawing Sheets**



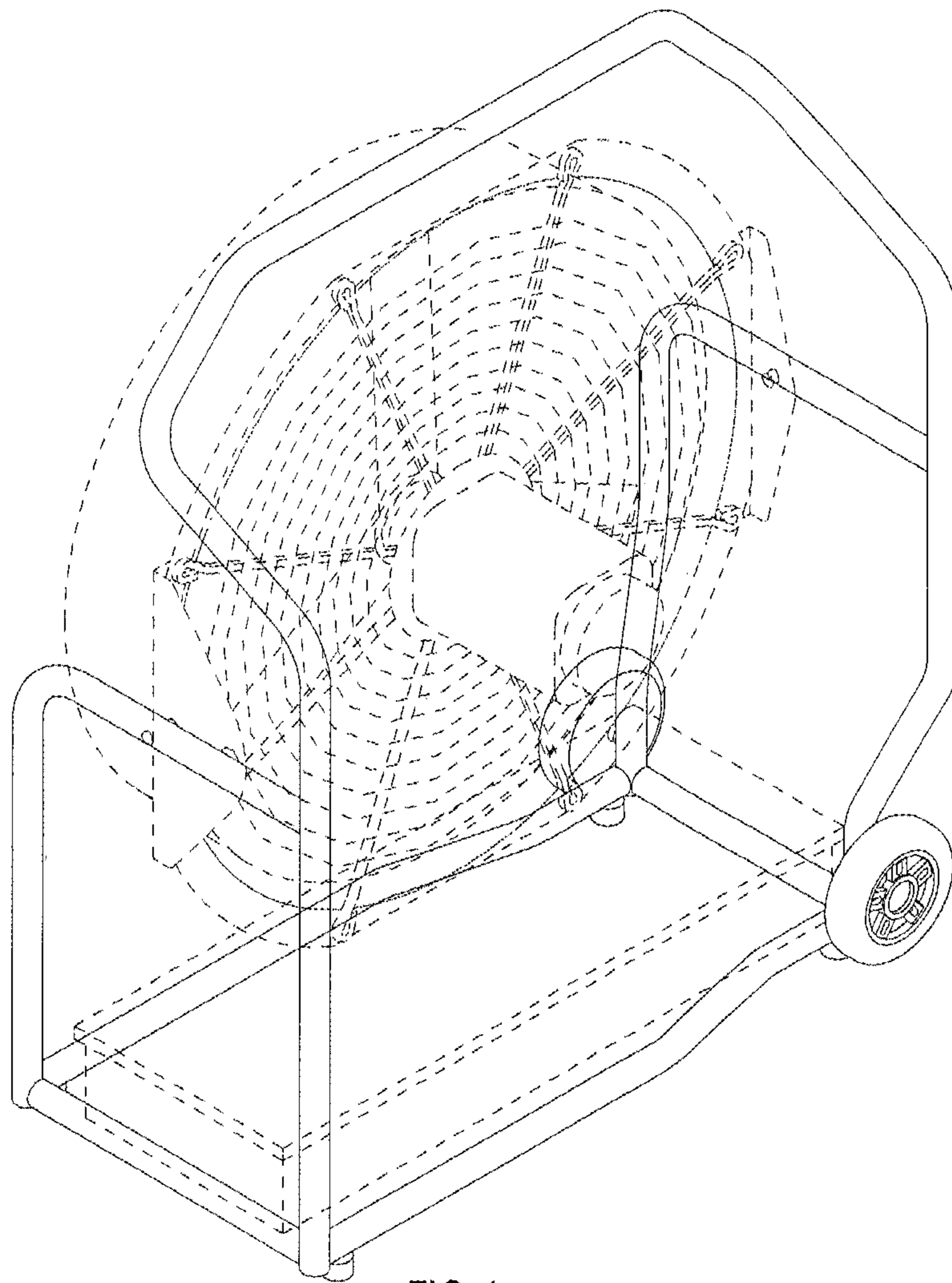


FIG. 1

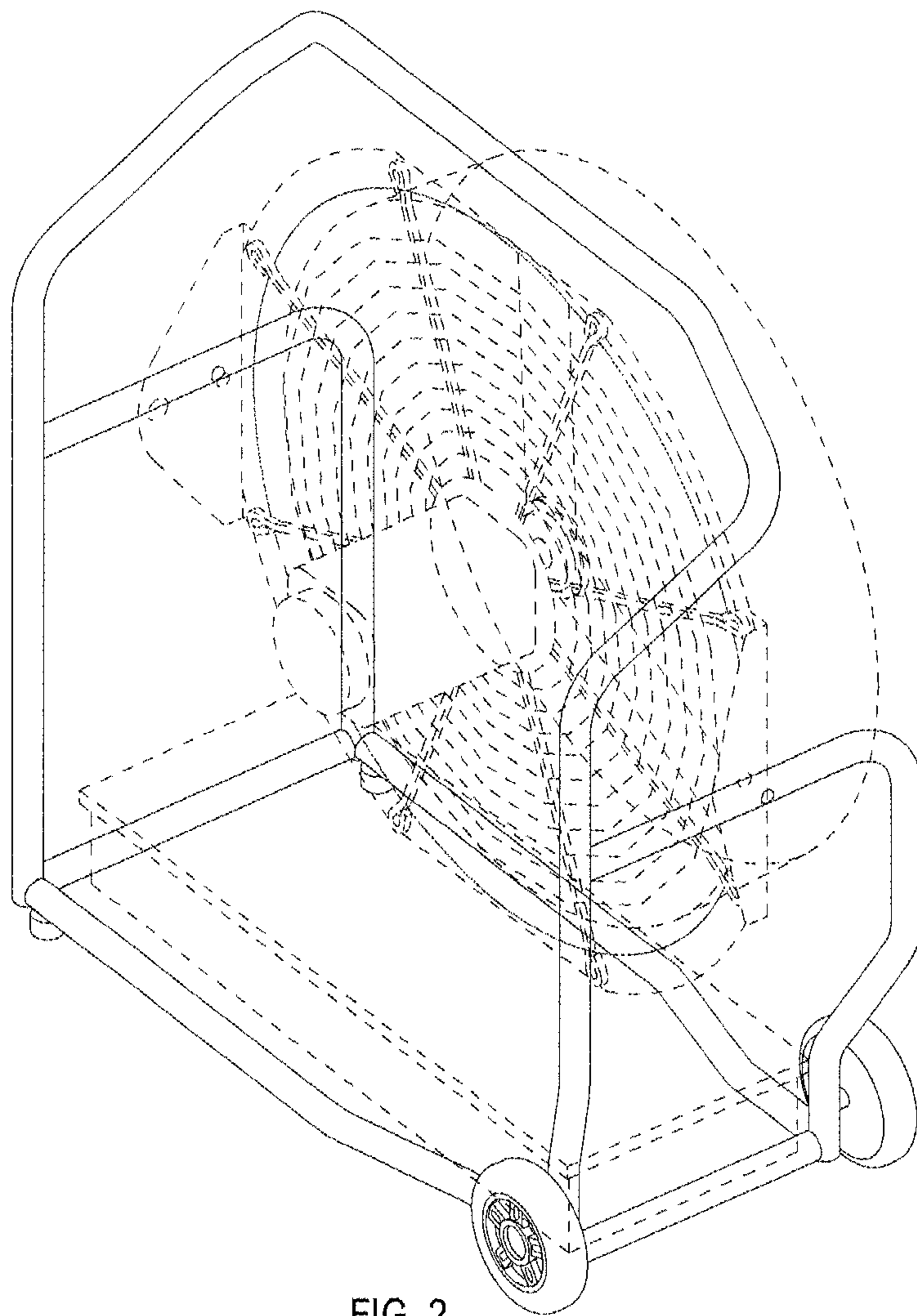


FIG. 2

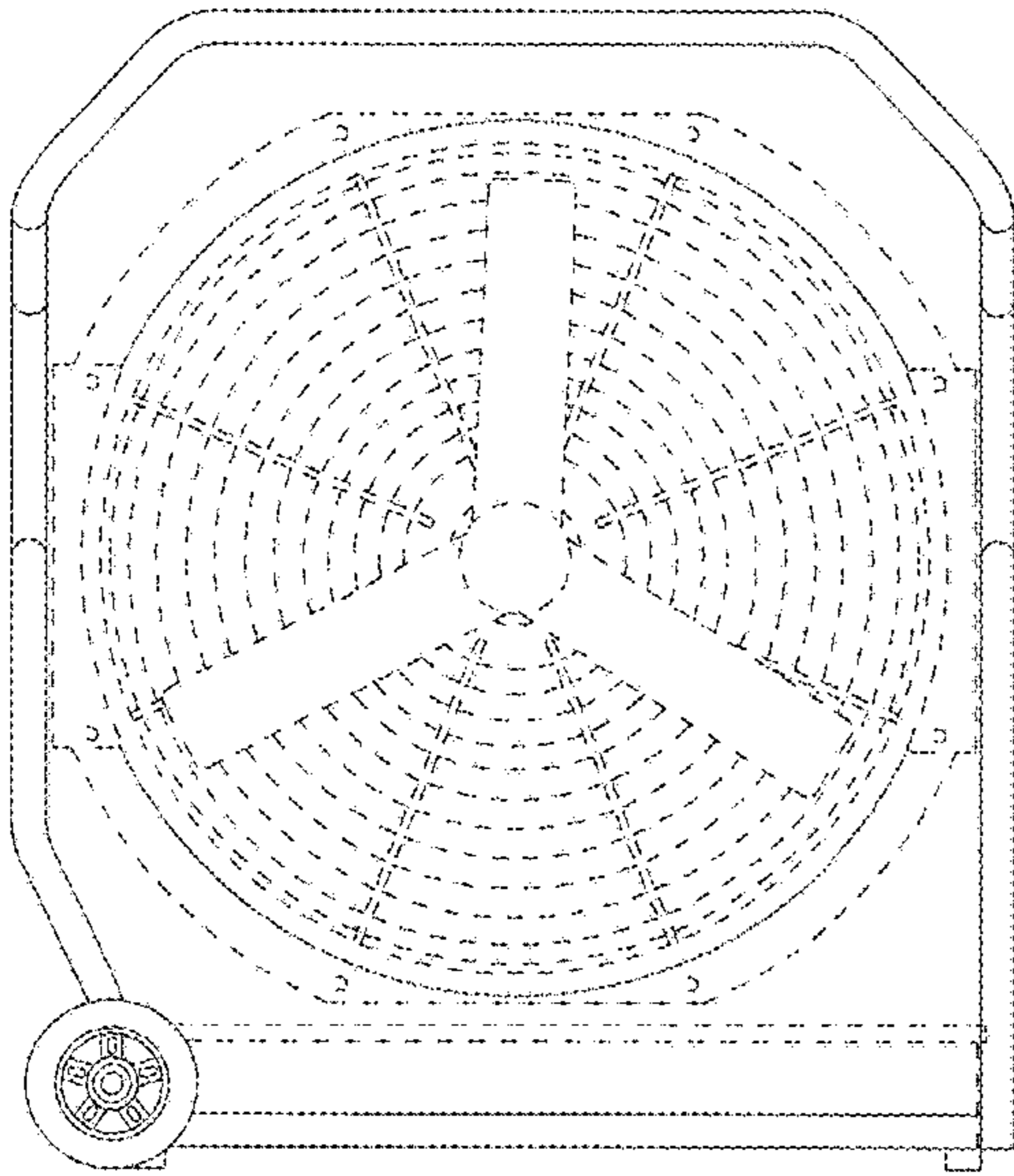


FIG. 3

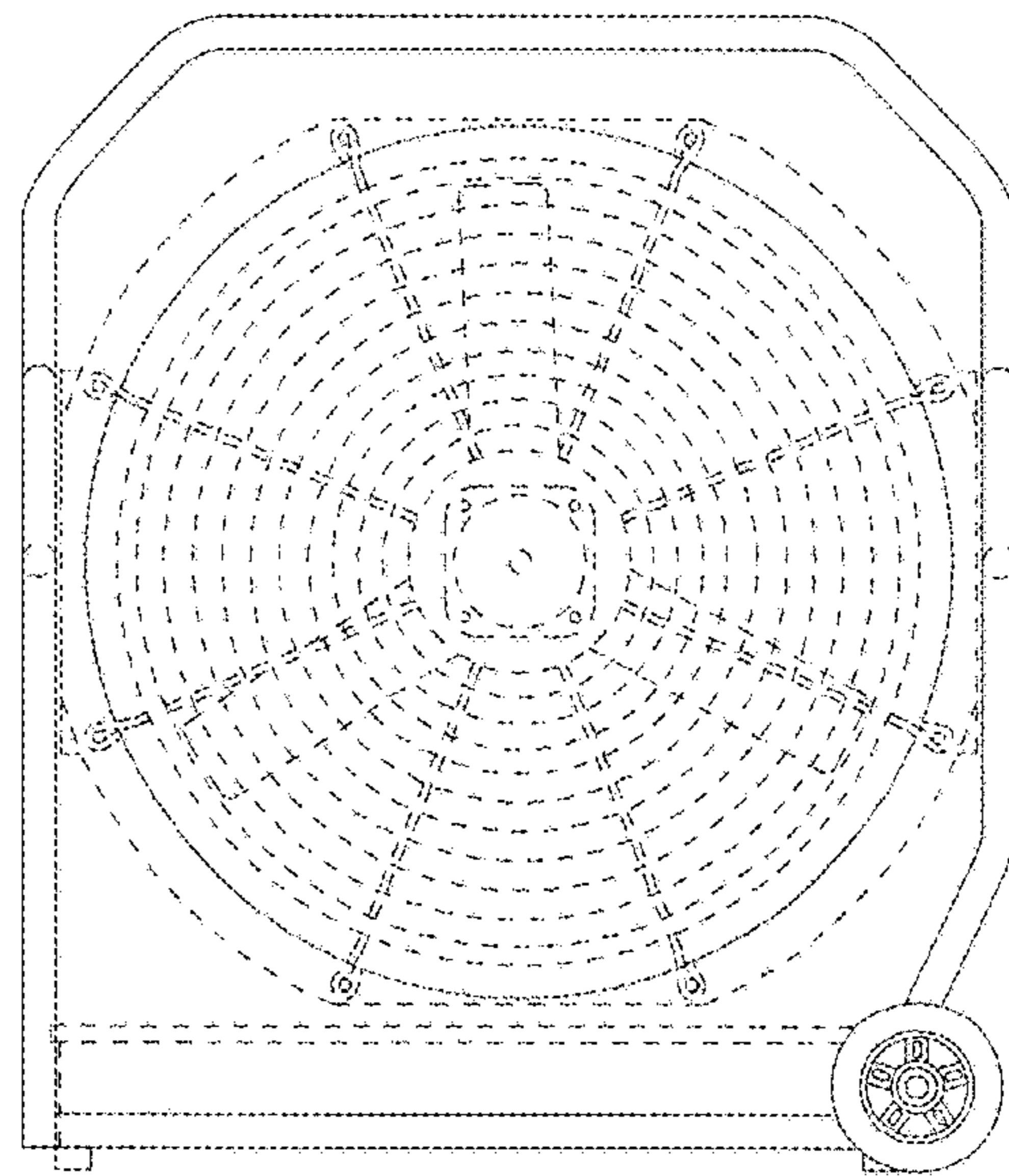


FIG. 4

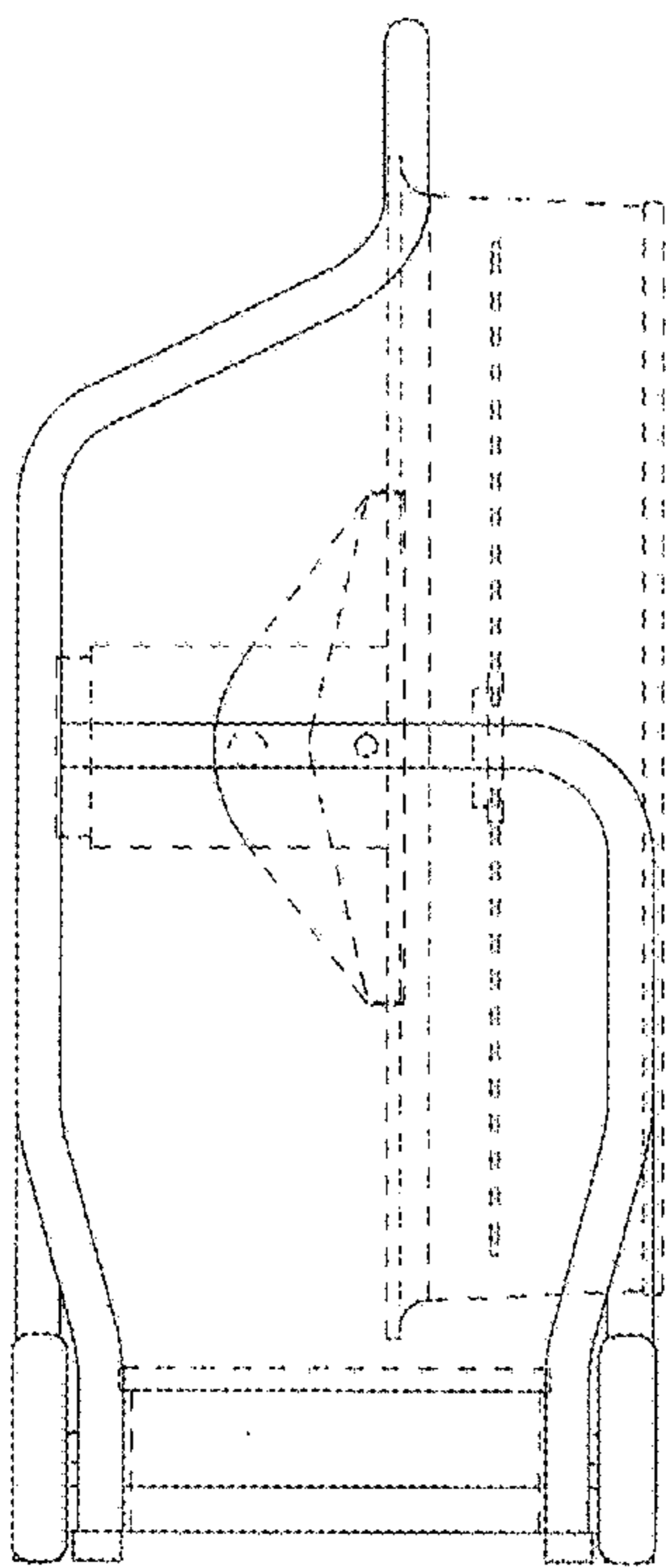


FIG. 5

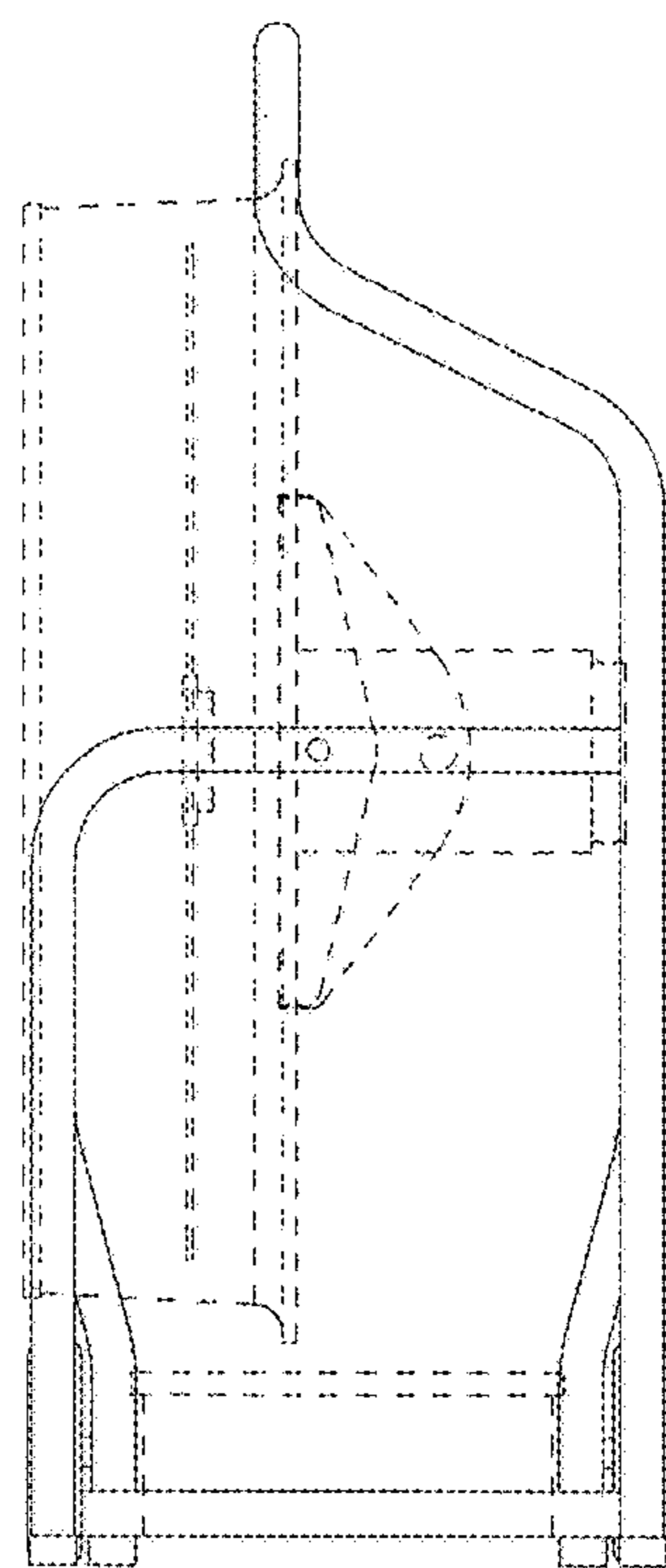


FIG. 6

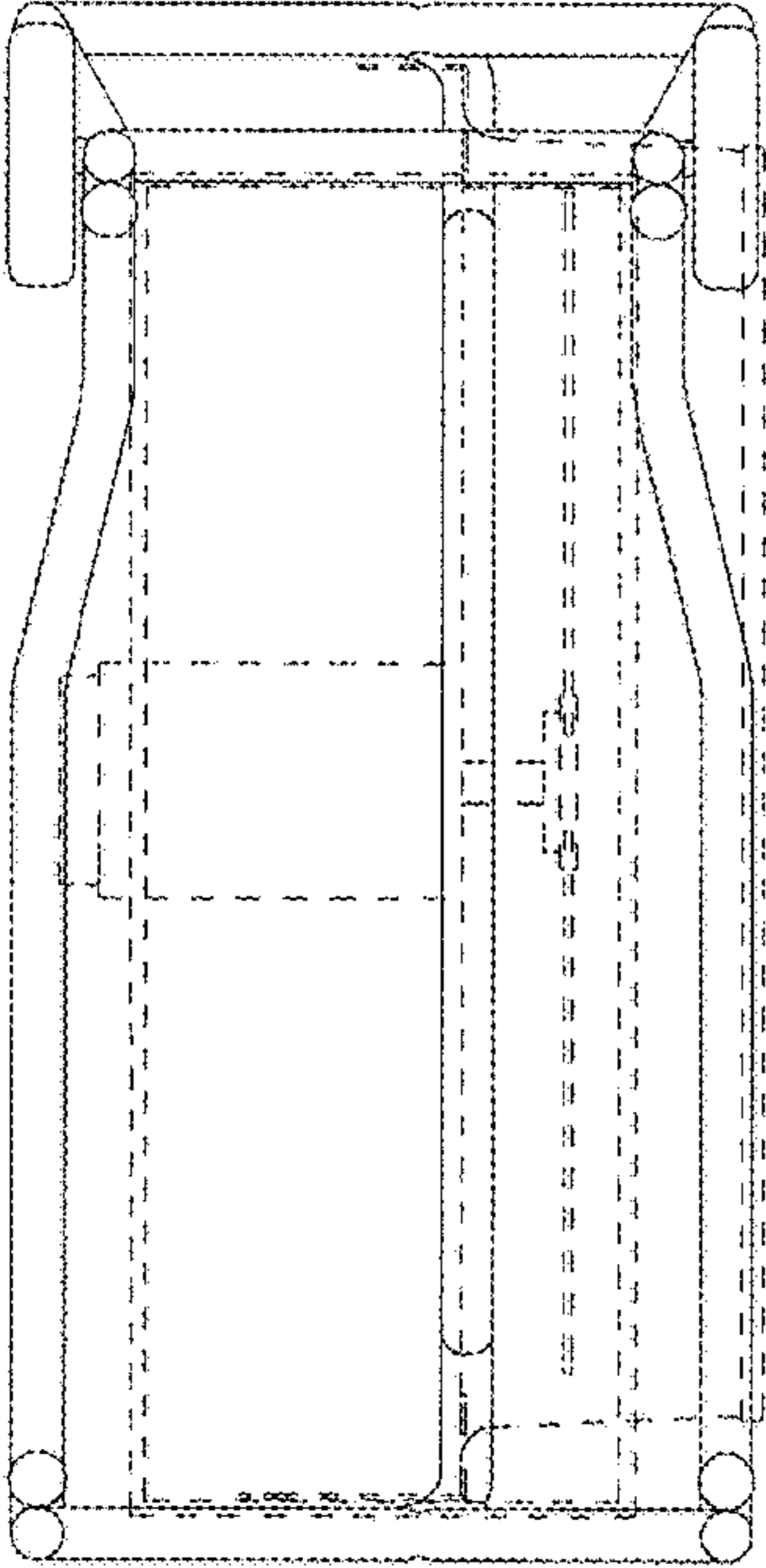


FIG. 7

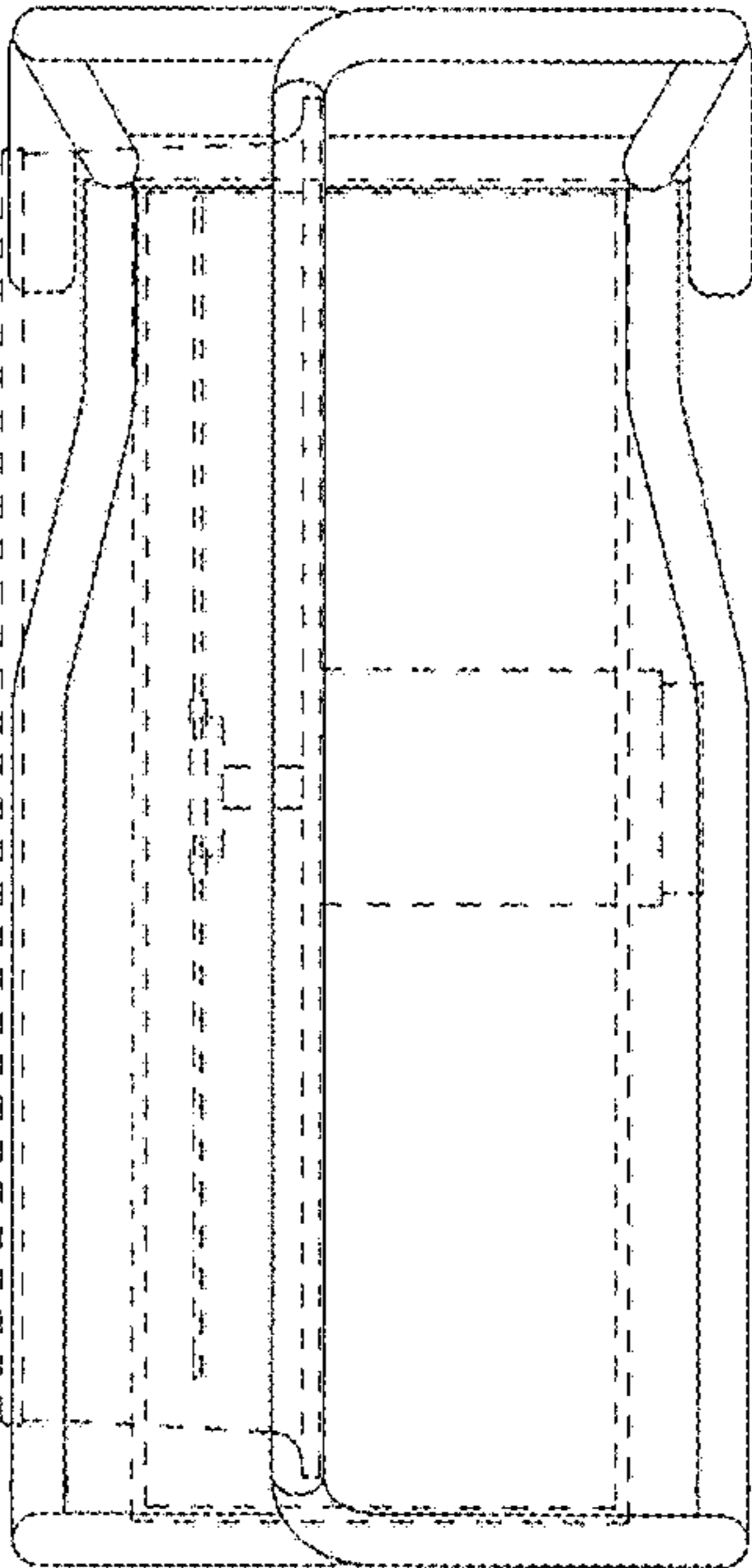


FIG. 8

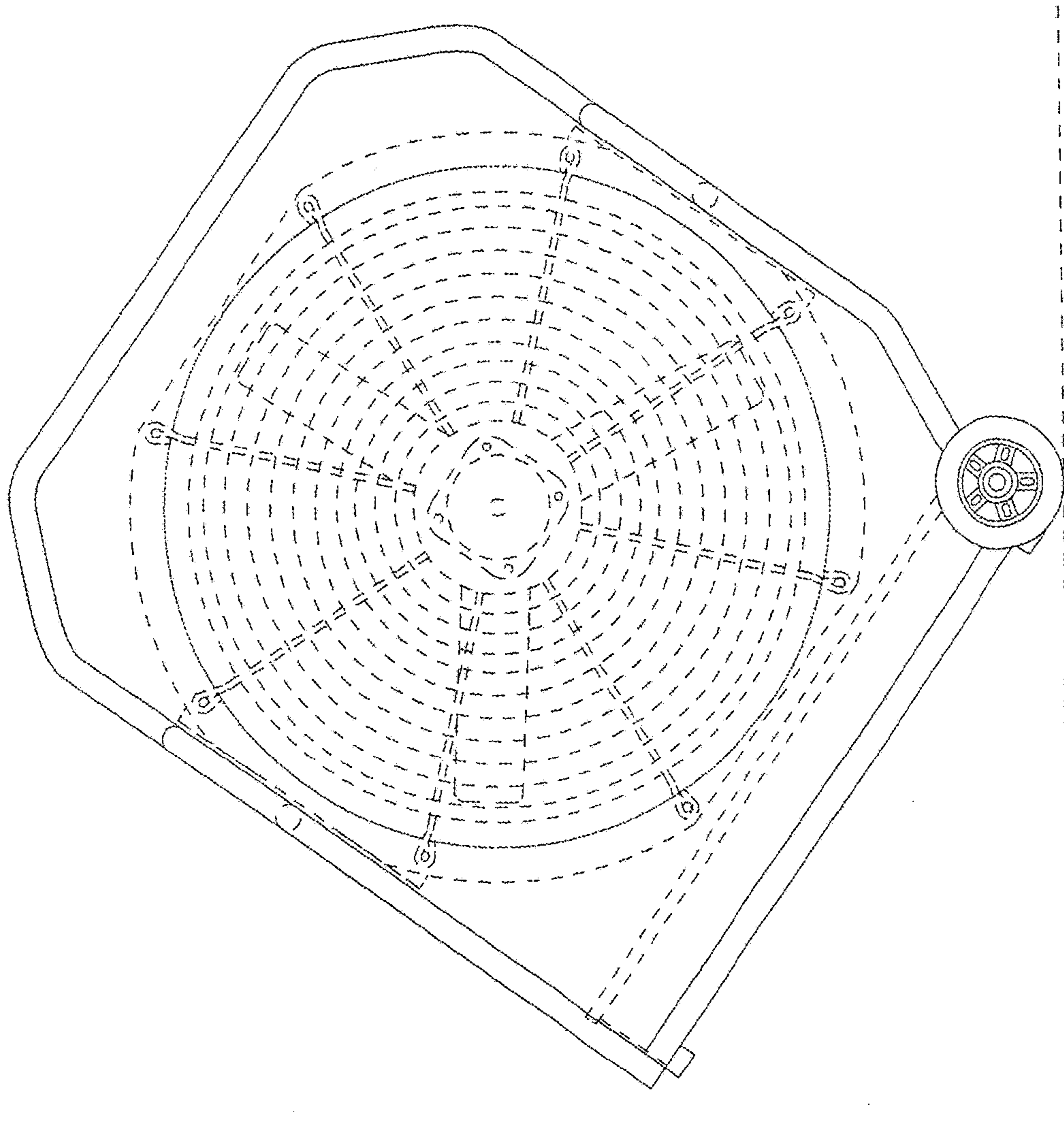


FIG. 9