



US00D829878S

(12) **United States Design Patent**  
**Sallander**

(10) **Patent No.:** **US D829,878 S**

(45) **Date of Patent:** **\*\* Oct. 2, 2018**

(54) **EXTRACTOR FAN**

(71) Applicant: **FRESH AB**, Gemla (SE)

(72) Inventor: **Martin Sallander**, Onsala (SE)

(73) Assignee: **FRESH AB**, Gemla (SE)

(\*\*) Term: **15 Years**

(21) Appl. No.: **35/503,349**

(22) Filed: **May 5, 2017**

(80) **Hague Agreement Data**

Int. Filing Date: **May 5, 2017**

Int. Reg. No.: **DM/096703**

Int. Reg. Date: **May 5, 2017**

Int. Reg. Pub. Date: **Jul. 14, 2017**

(51) **LOC (11) Cl.** ..... **23-02**

(52) **U.S. Cl.**  
USPC ..... **D23/370**

(58) **Field of Classification Search**

USPC ..... D23/370, 355, 314, 414, 371, 377, 385,  
D23/411, 383, 373, 378

CPC .... F04D 29/329; F04D 29/526; F04D 29/325;  
F04D 29/703; F04D 29/547; F04D  
25/082; B65D 90/36; F23L 17/02; F24F  
13/1406; F24F 1/02

See application file for complete search history.

(56) **References Cited**

**U.S. PATENT DOCUMENTS**

- D281,276 S \* 11/1985 Farrer ..... D23/370
- 6,328,791 B1 \* 12/2001 Pillion ..... B01D 46/0043  
96/418
- 7,037,073 B2 \* 5/2006 Lin ..... F04D 25/0613  
362/500
- D546,436 S \* 7/2007 Chen ..... D23/382
- D578,635 S \* 10/2008 Chan ..... D23/382
- D683,010 S \* 5/2013 Chen ..... D23/370
- D689,600 S \* 9/2013 Herbst ..... D23/382

- D752,201 S \* 3/2016 Herbst ..... D23/370
- D754,316 S \* 4/2016 Yasuoka ..... D23/366
- D754,320 S \* 4/2016 Park ..... D23/385
- D754,836 S \* 4/2016 Park ..... D23/385
- D773,629 S \* 12/2016 Crisa' ..... D23/372
- D774,174 S \* 12/2016 Chapman ..... D23/370

(Continued)

**OTHER PUBLICATIONS**

[Online] [http://www.fresh.eu/en-gb/show-product/show-product-1.0.493.2.php?item=prod\\_prod-s1%2F2531&group=prod\\_prod\\_grp-s1%2F340](http://www.fresh.eu/en-gb/show-product/show-product-1.0.493.2.php?item=prod_prod-s1%2F2531&group=prod_prod_grp-s1%2F340). Retrieved May 25, 2018.\*

(Continued)

*Primary Examiner* — Melanie Pellegrini

(74) *Attorney, Agent, or Firm* — Brundidge & Stanger, P.C.

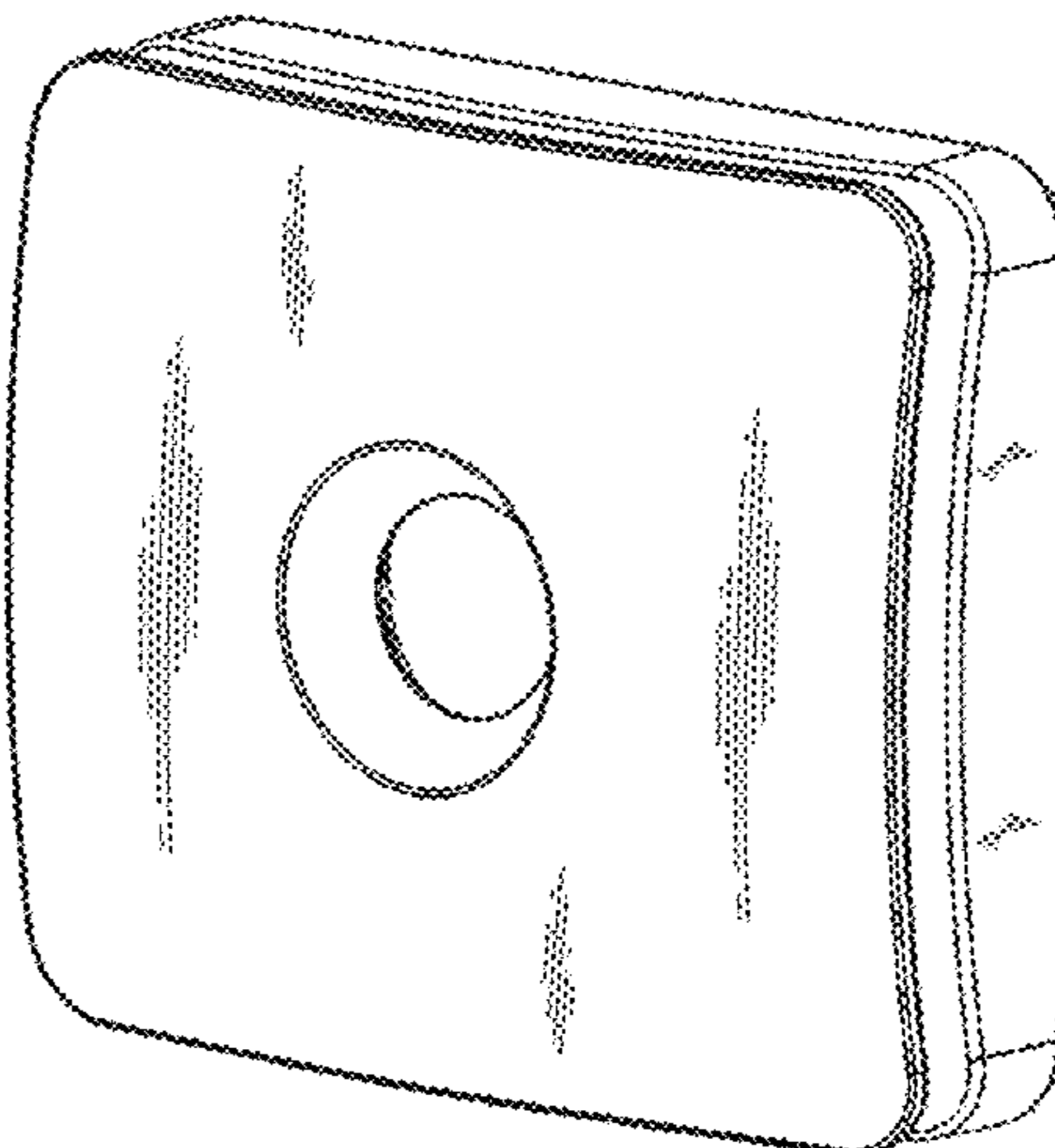
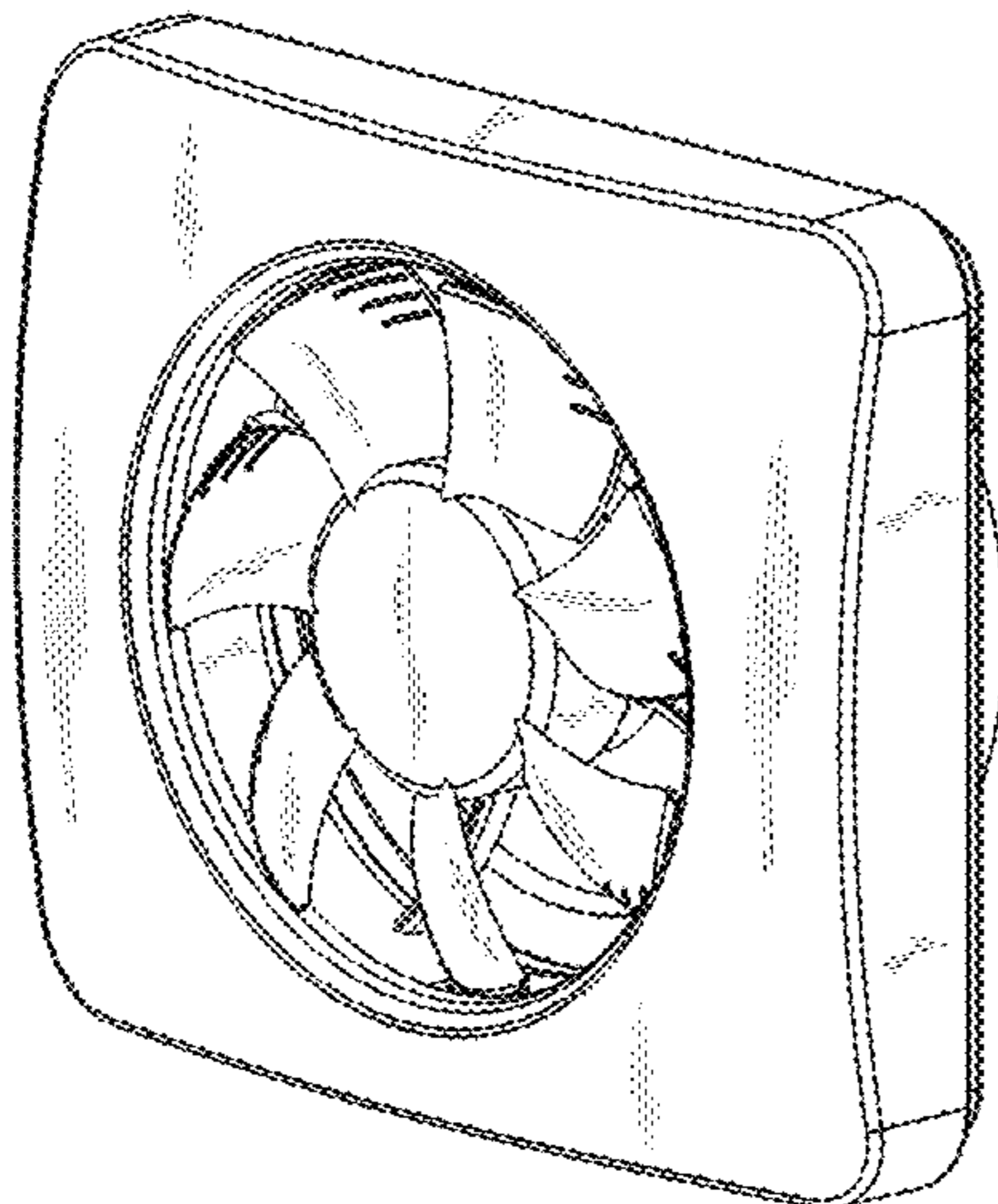
(57) **CLAIM**

The ornamental design for an extractor fan, as shown and described.

**DESCRIPTION**

- 1.-2. Extractor fans
- Fig. 1.1 top, front perspective view
- Fig. 1.2 top, rear perspective view
- Fig. 1.3 front elevational view
- Fig. 1.4 rear elevational view
- Fig. 1.5 left side view
- Fig. 1.6 right side view
- Fig. 1.7 bottom plan view
- Fig. 1.8 top plan view
- Fig. 2.1 top, front perspective view
- Fig. 2.2 top, rear perspective view
- Fig. 2.3 front elevational view
- Fig. 2.4 rear elevational view
- Fig. 2.5 left side view
- Fig. 2.6 right side view
- Fig. 2.7 top plan view
- Fig. 2.8 bottom plan view

**1 Claim, 16 Drawing Sheets**



(56)

**References Cited**

U.S. PATENT DOCUMENTS

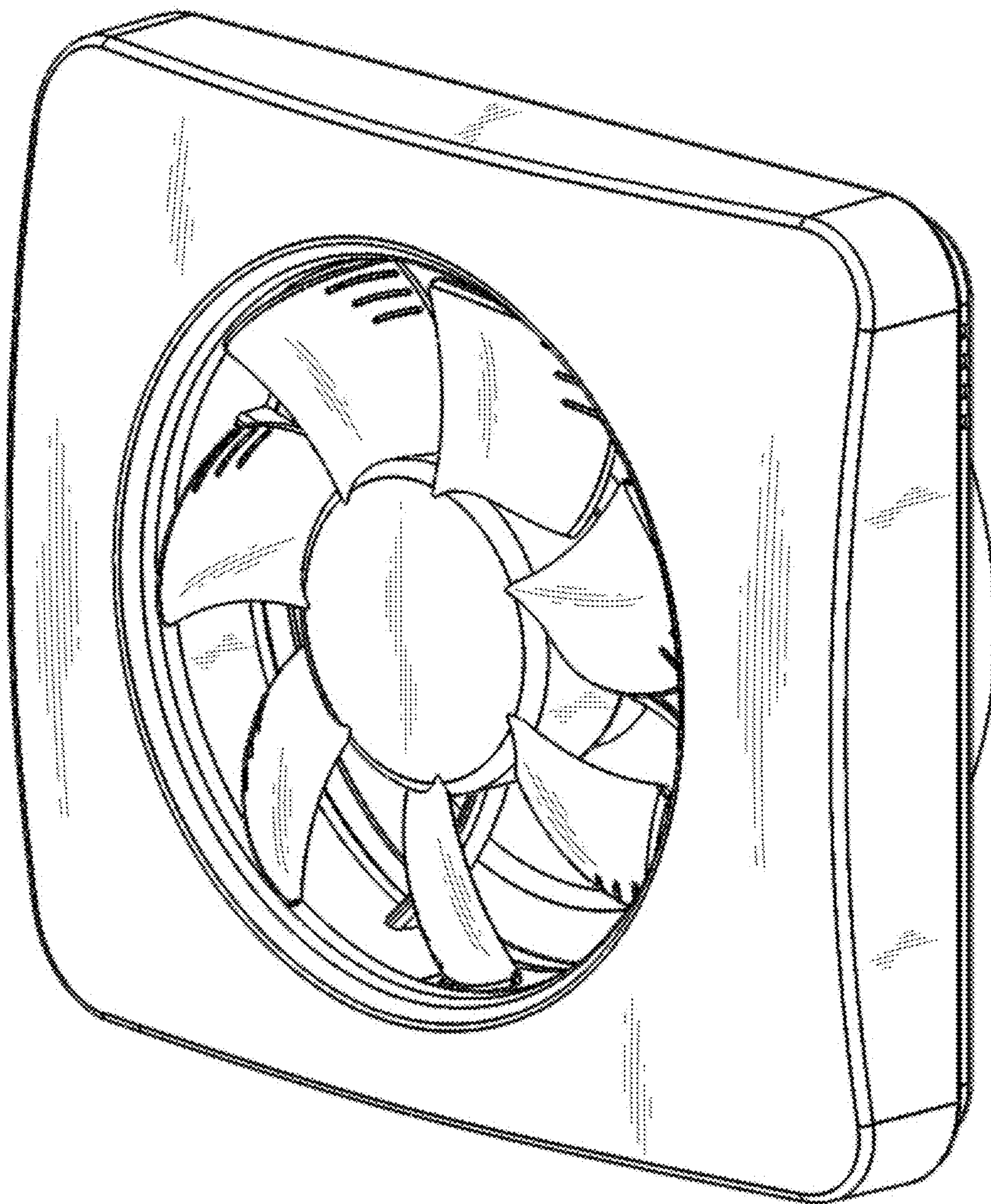
2005/0244309 A1 \* 11/2005 Wang ..... B01D 53/007  
422/186.3

OTHER PUBLICATIONS

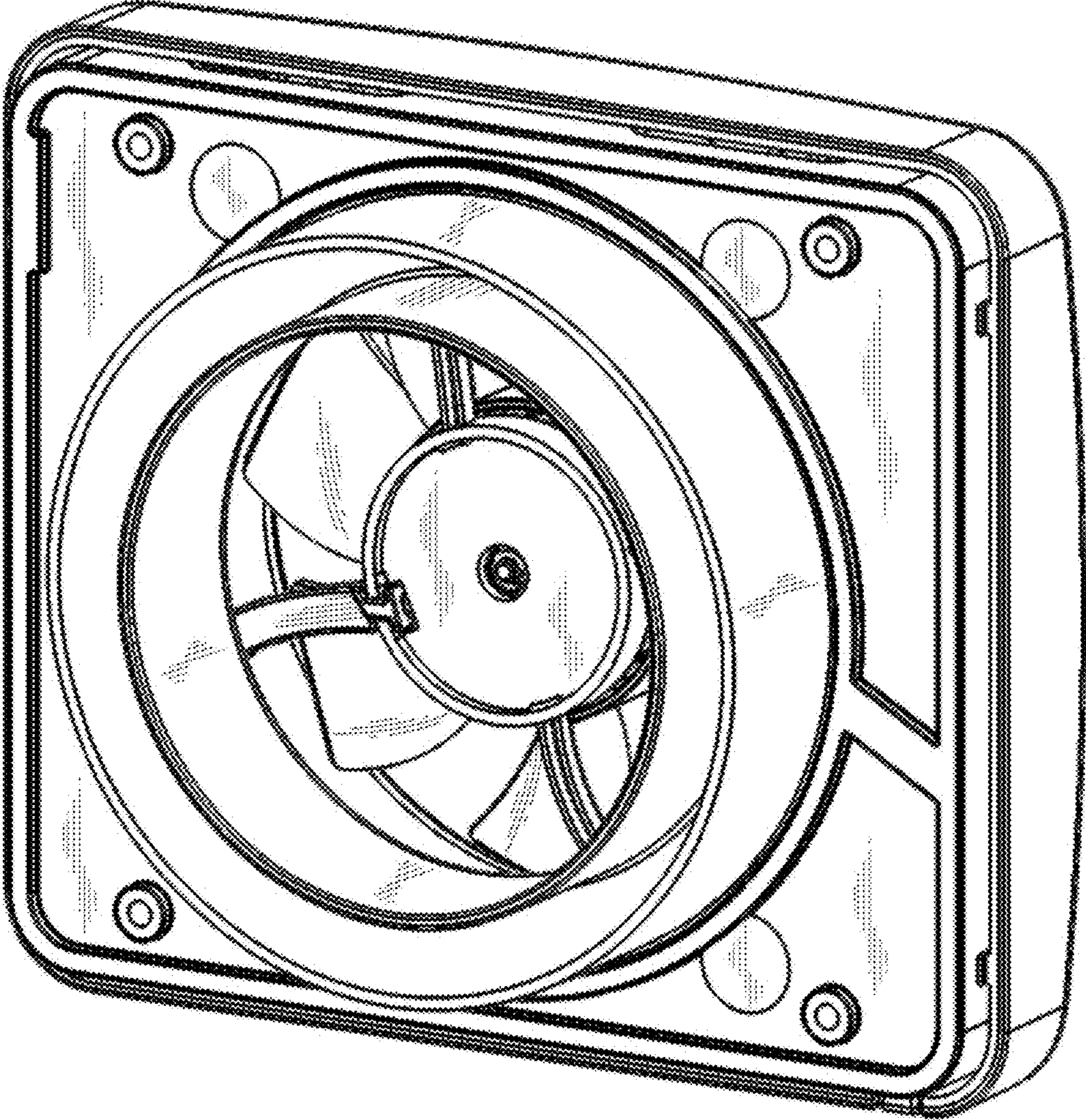
[Online] [http://www.fresh.eu/en-gb/show-product/show-product-1.0.493.2.php?item=prod\\_prod-s1%2F161](http://www.fresh.eu/en-gb/show-product/show-product-1.0.493.2.php?item=prod_prod-s1%2F161) . Retrieved May 25, 2018.\*

\* cited by examiner

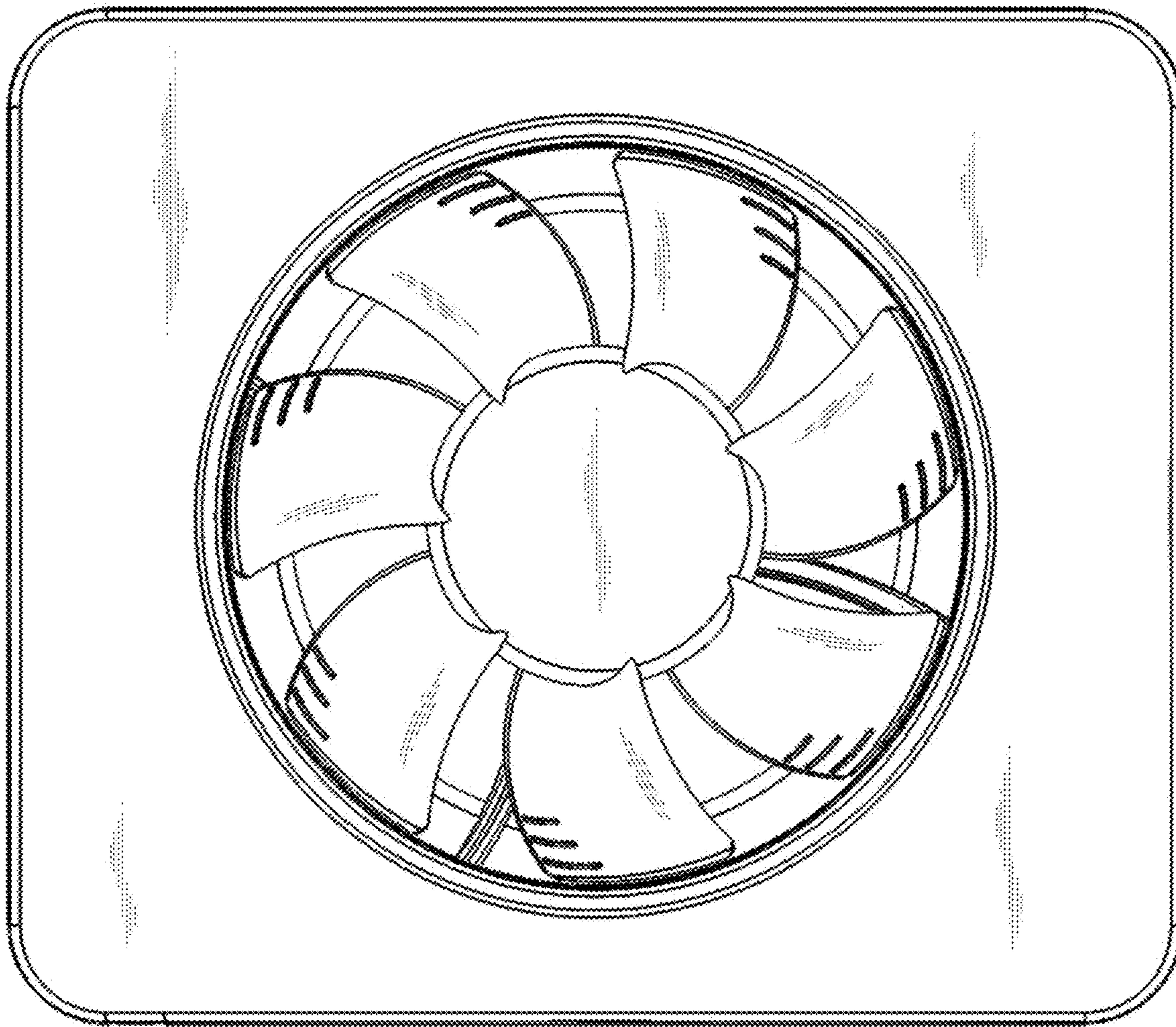
1.1



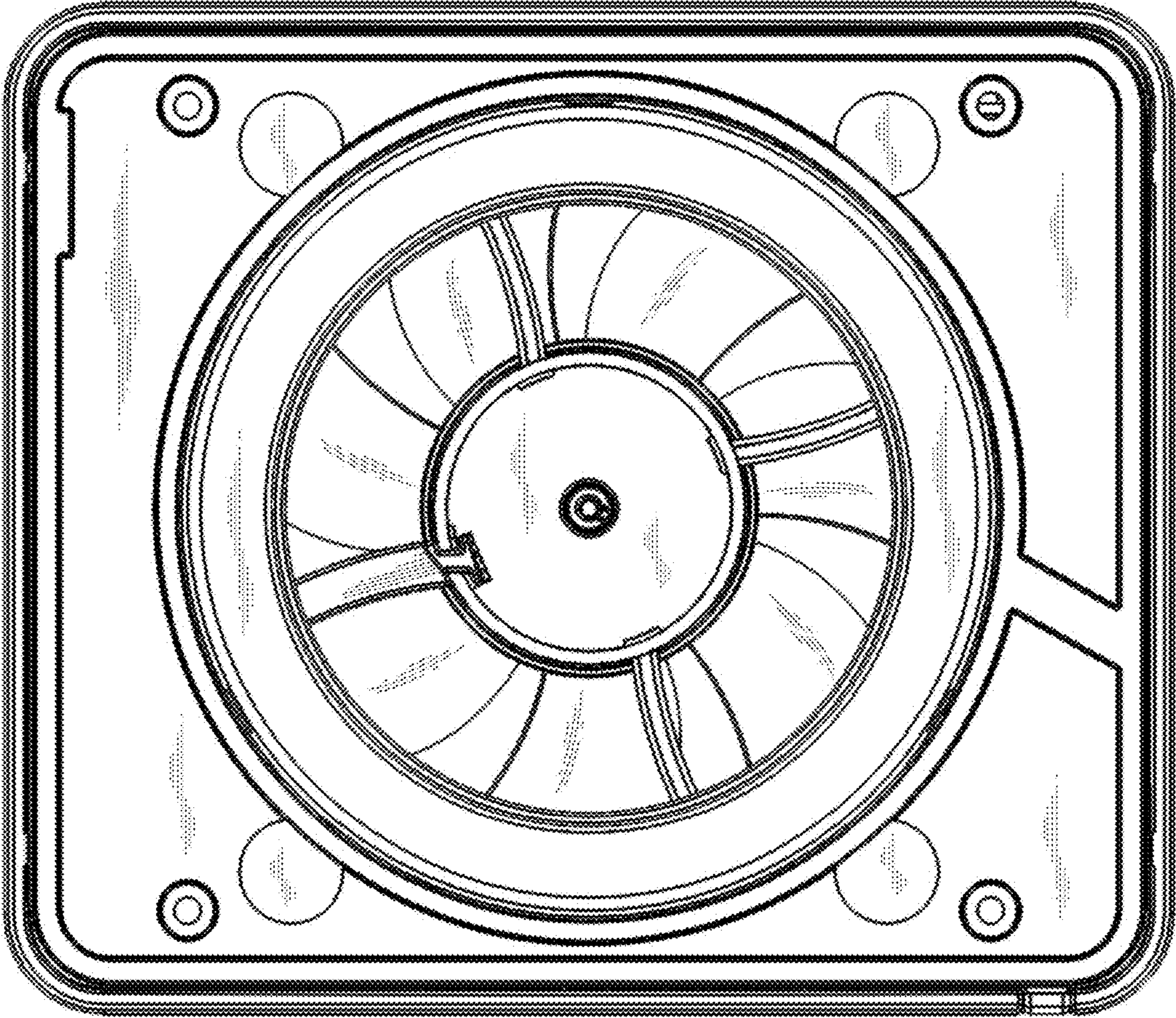
1.2



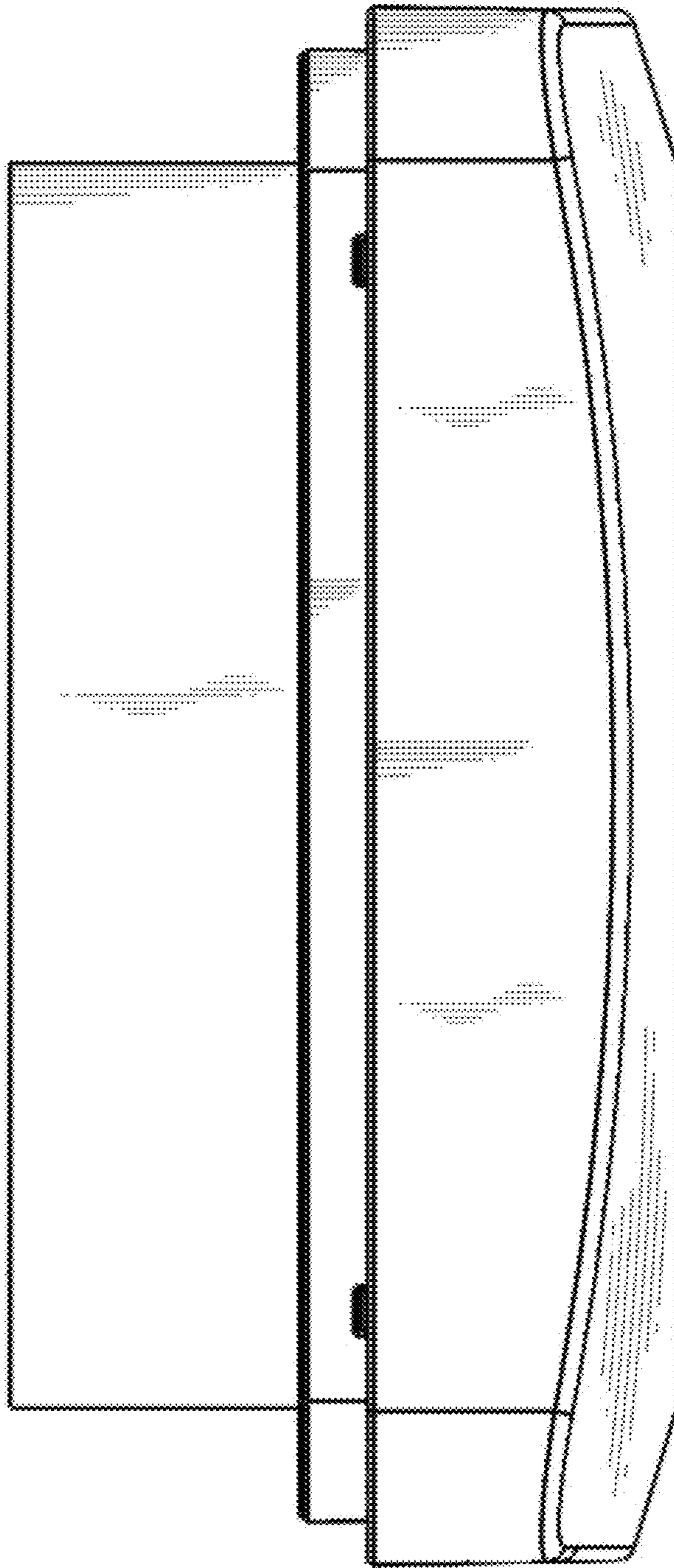
1.3



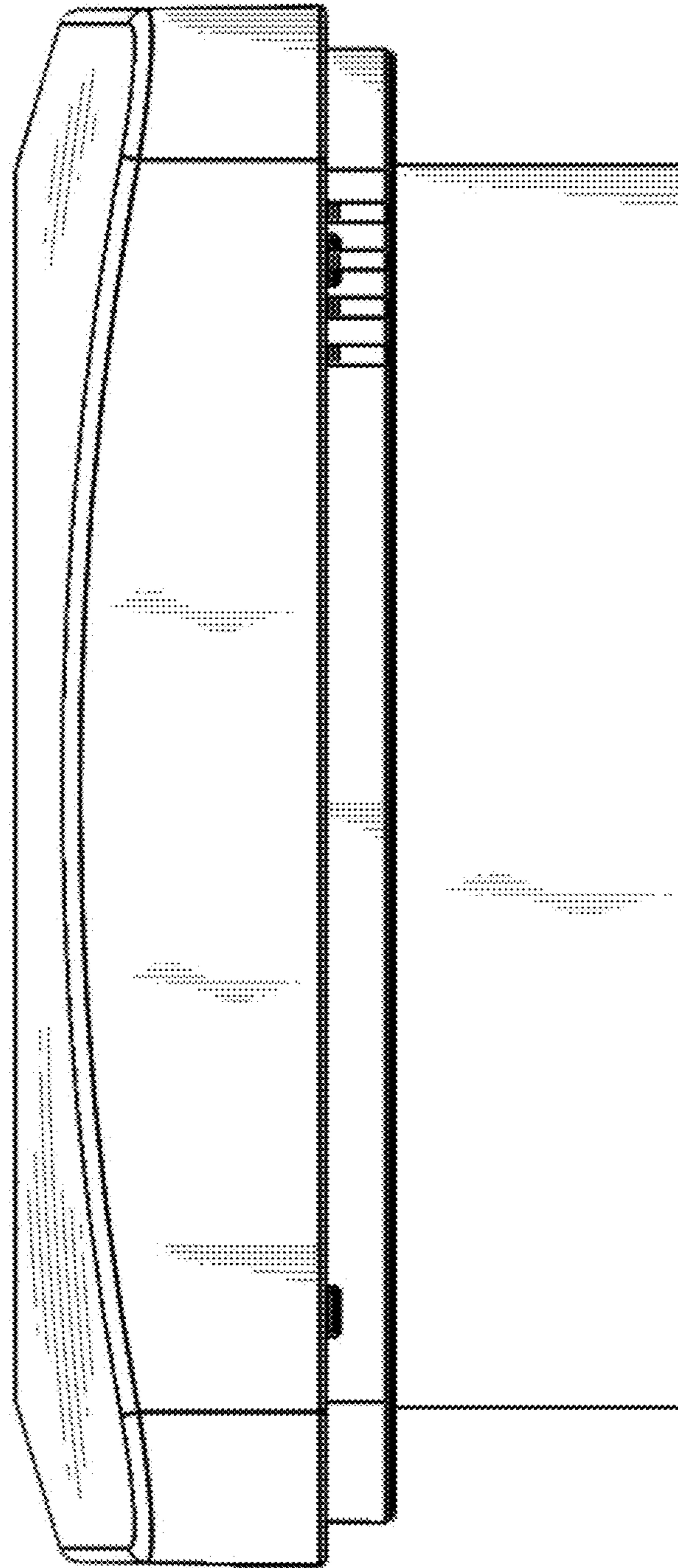
1.4



1.5

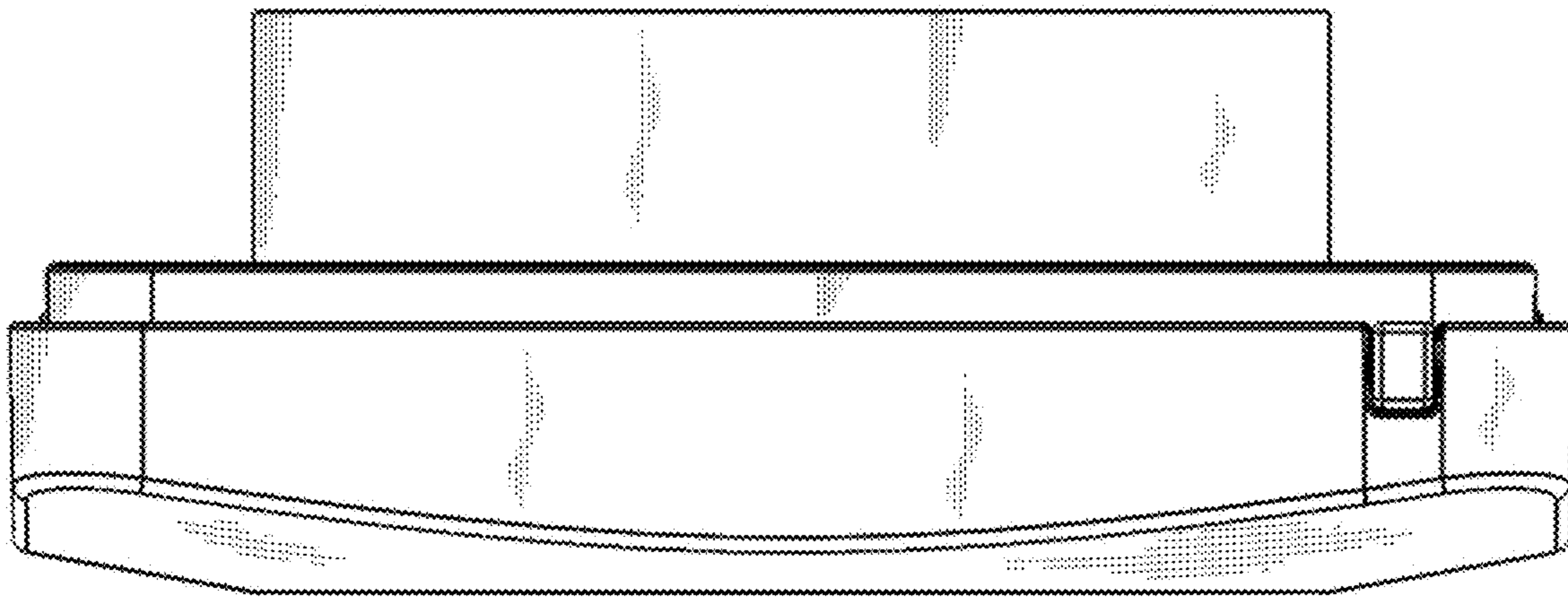


1.6

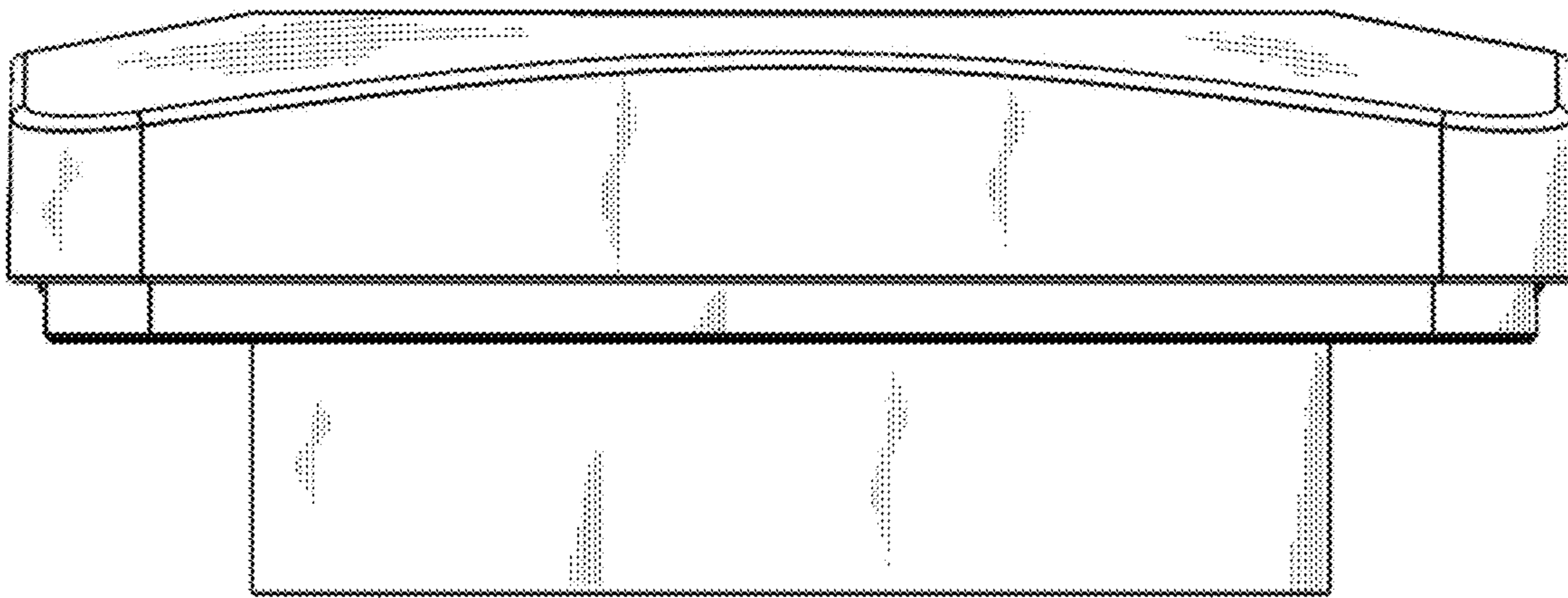




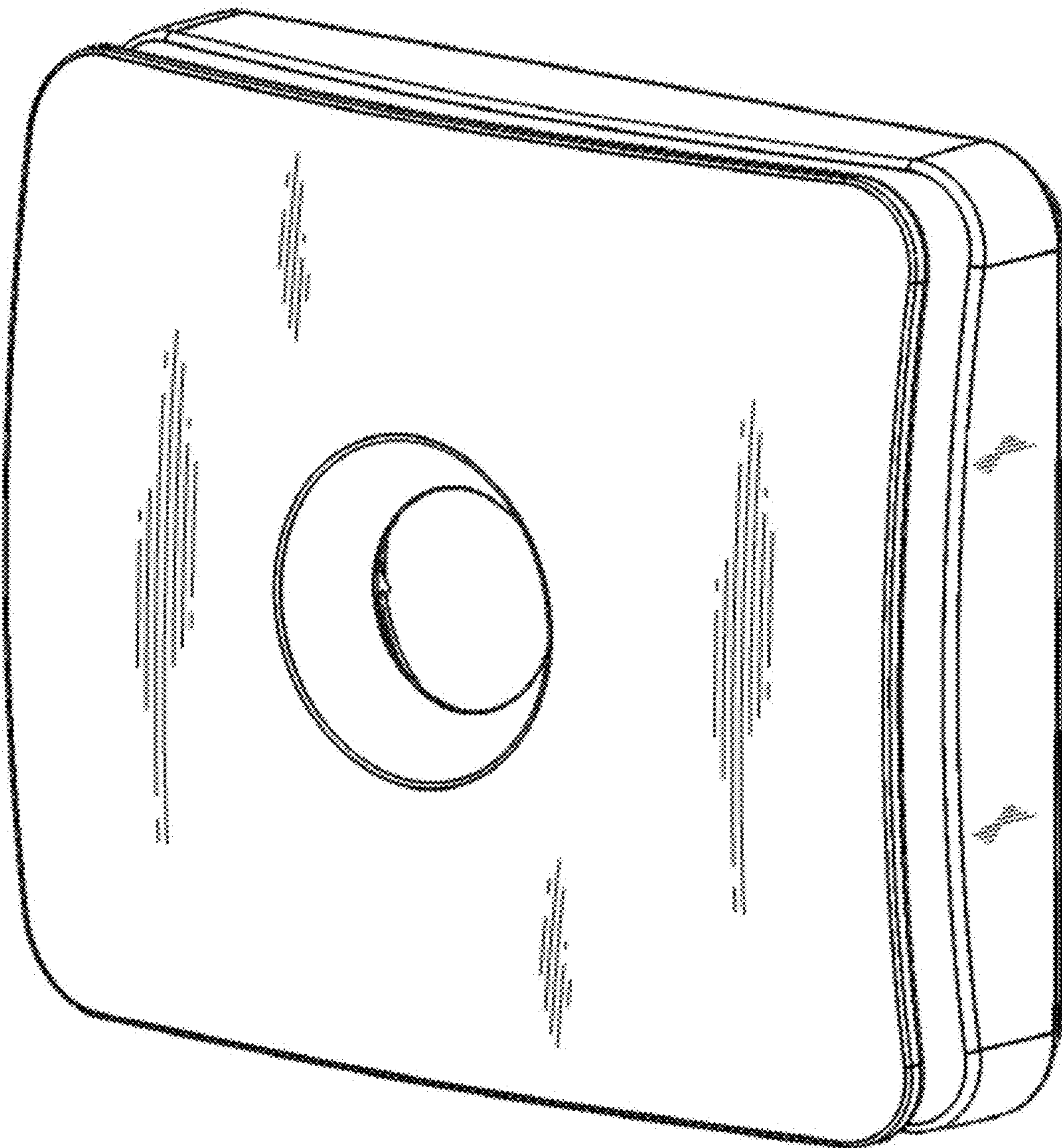
1.7



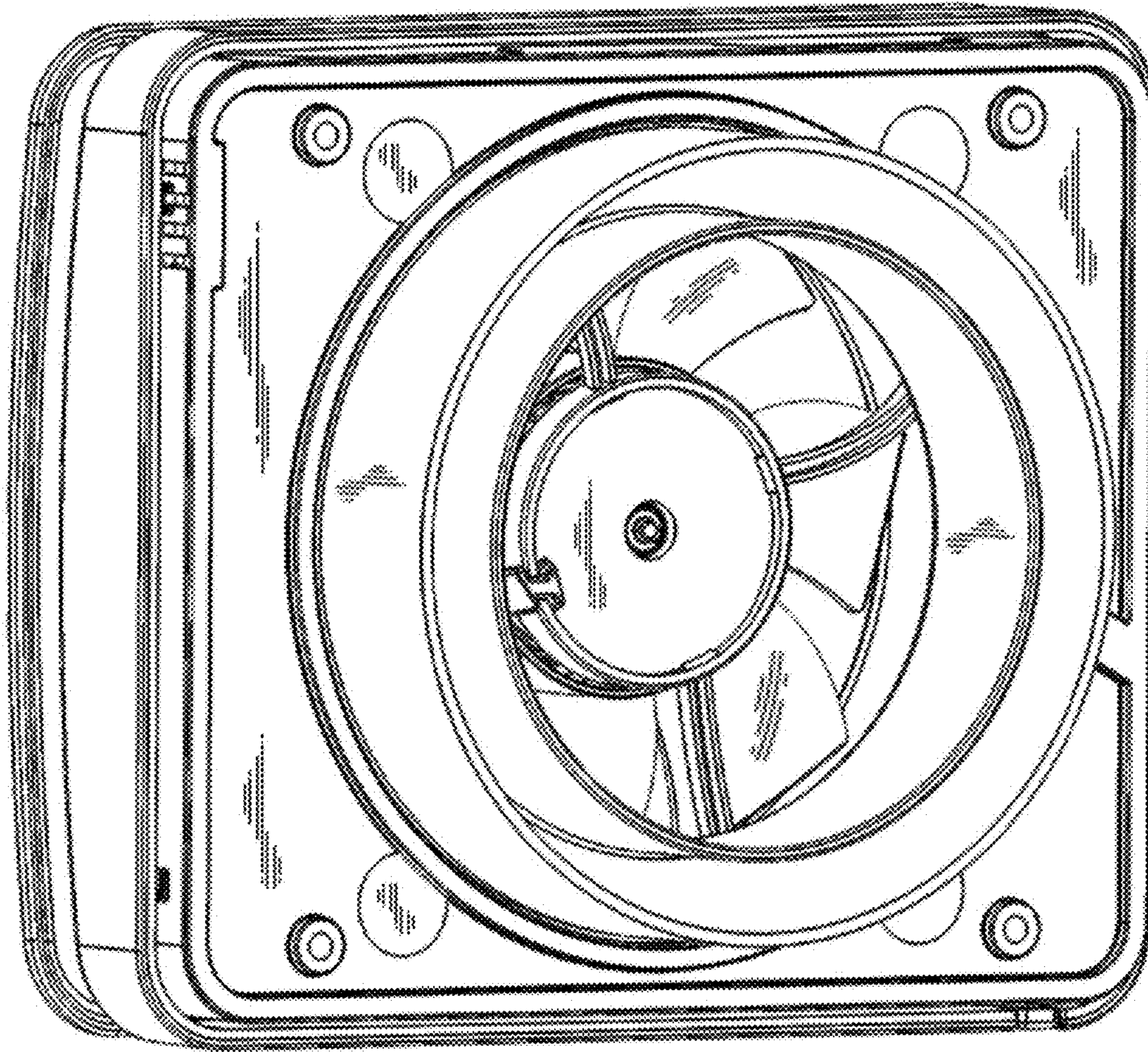
1.8



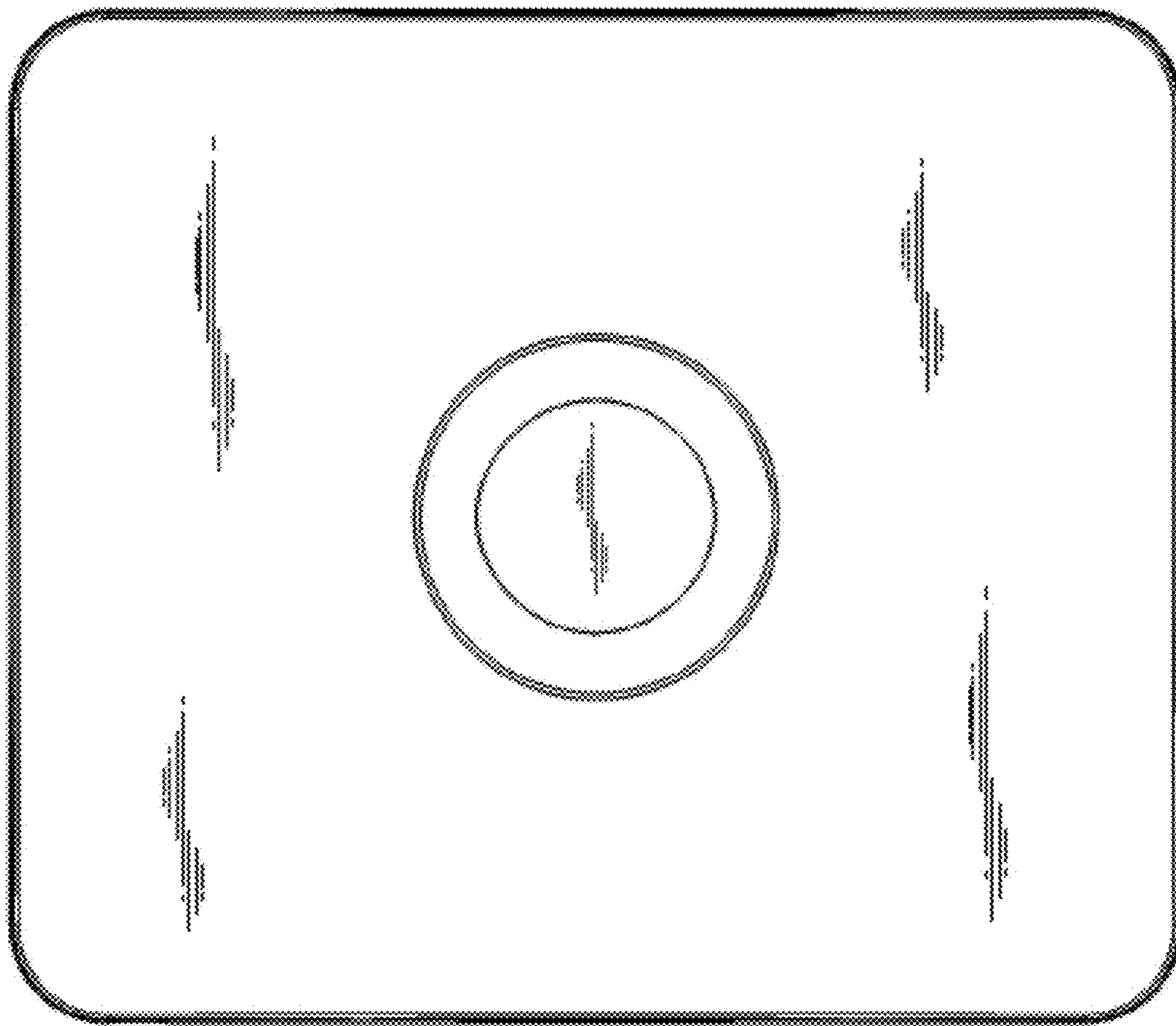
2.1



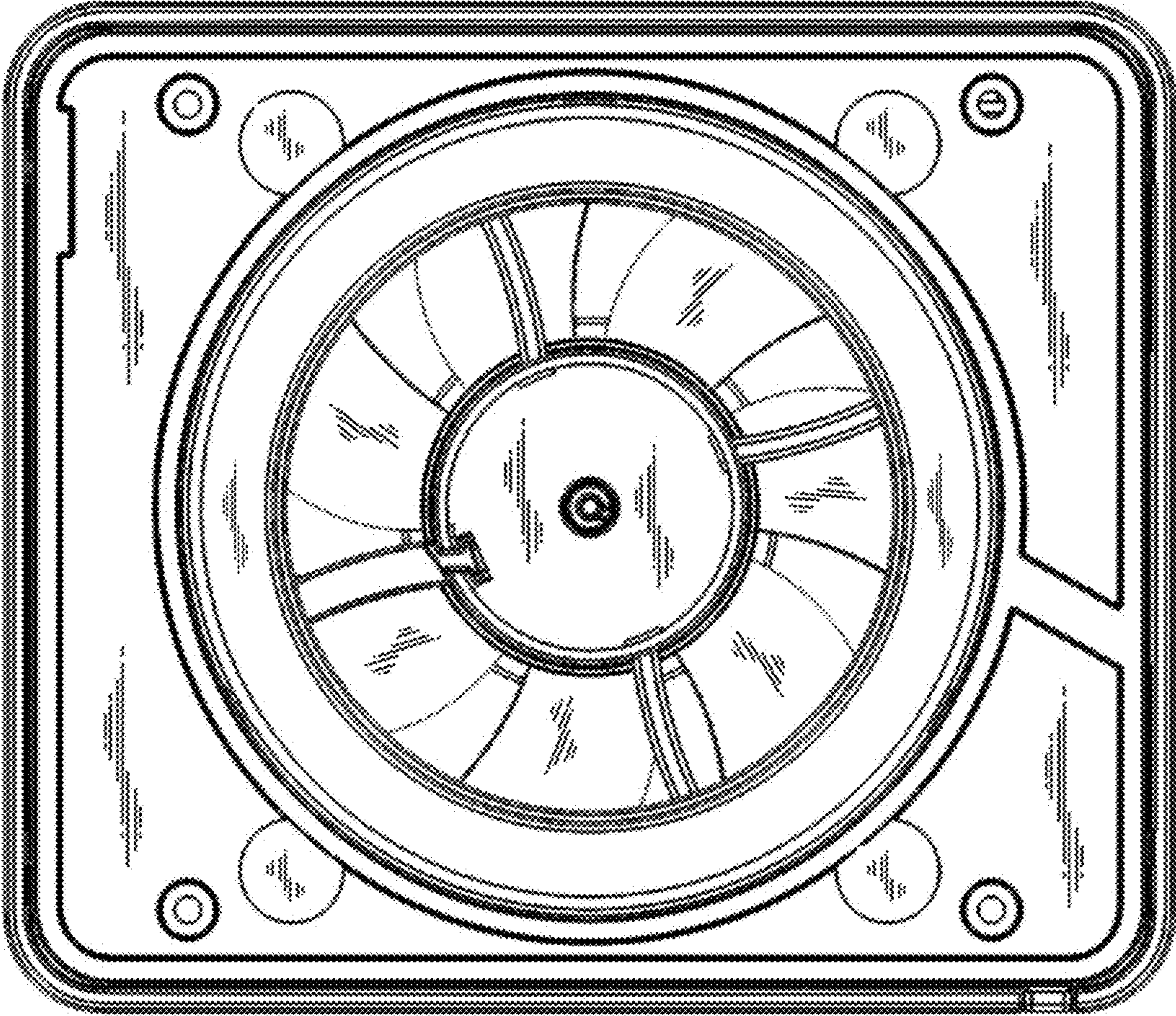
2.2



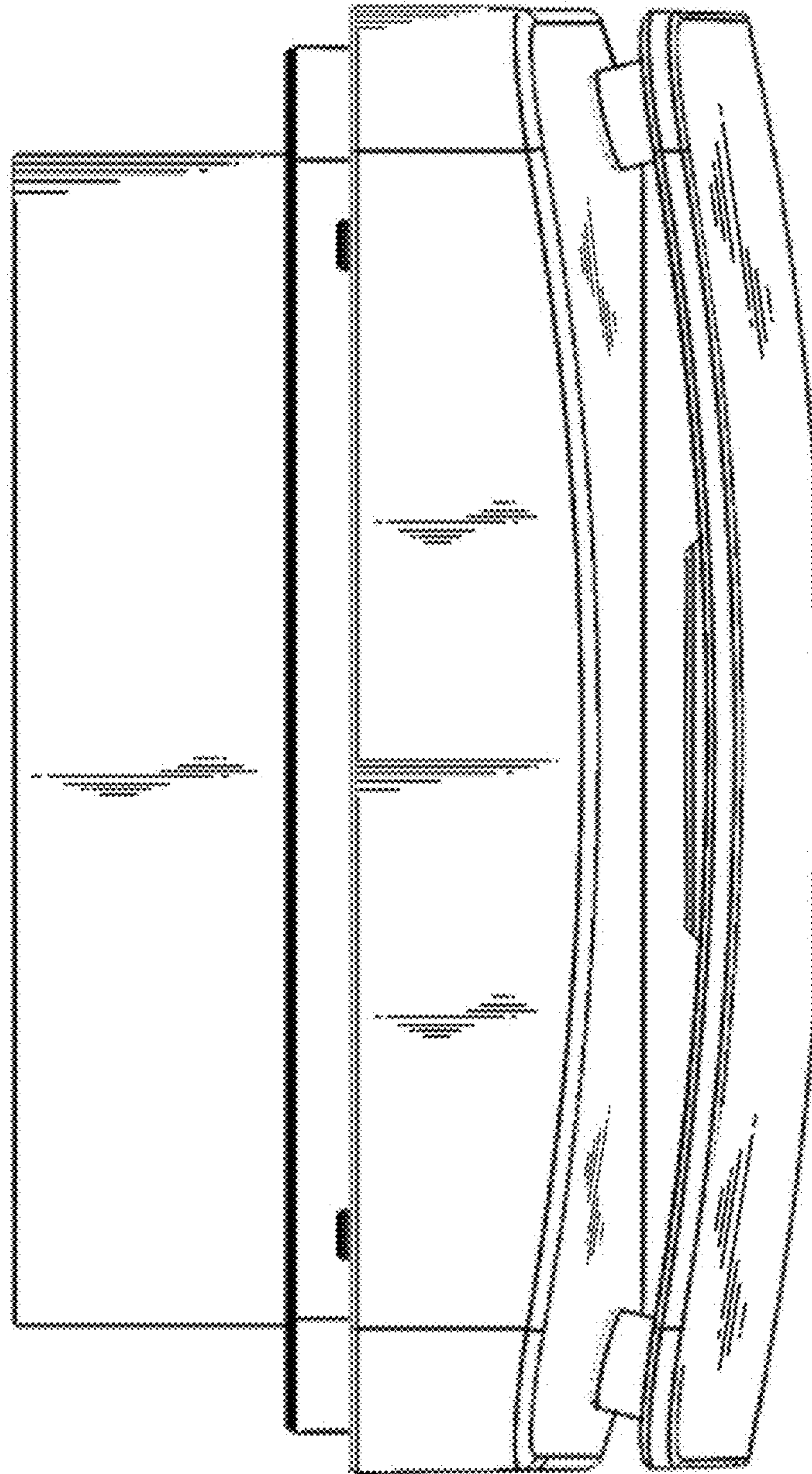
2.3



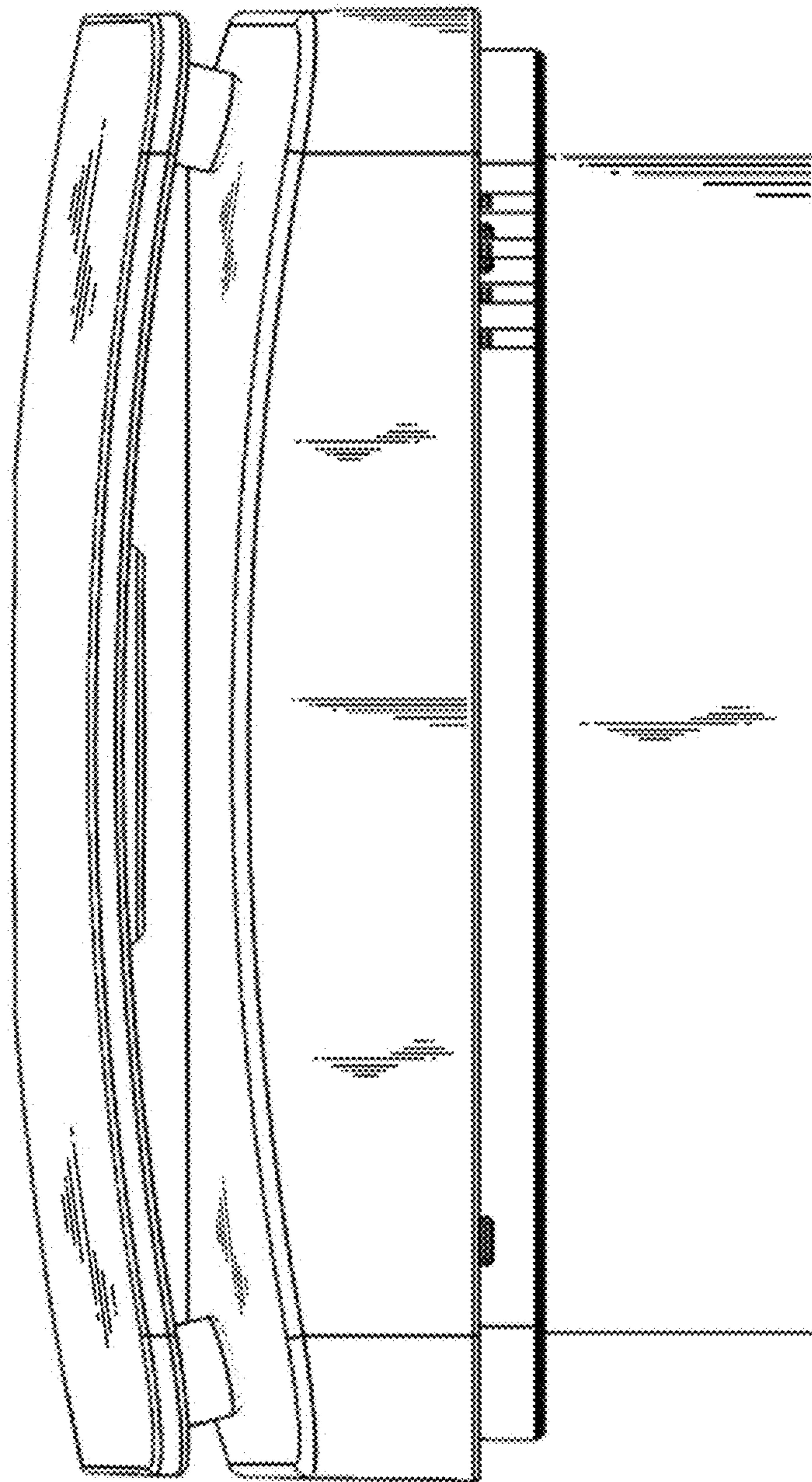
2.4



2.5

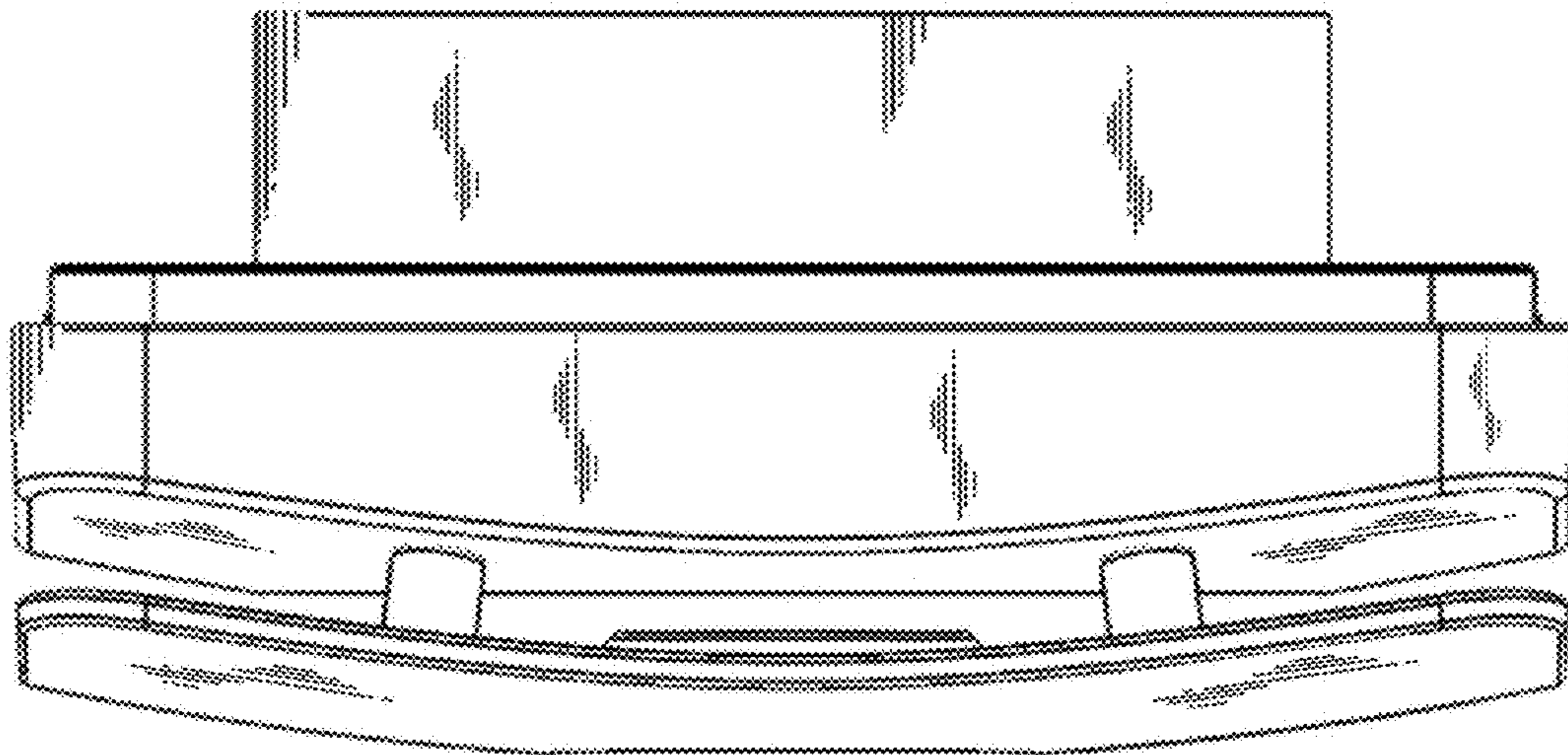


2.6





2.7



2.8

