



US00D829877S

(12) **United States Design Patent** (10) **Patent No.:** **US D829,877 S**  
**Liu** (45) **Date of Patent:** **\*\* Oct. 2, 2018**

(54) **AROMA DIFFUSER**

(71) Applicant: **Zhihao Liu**, Fuzhou (CN)

(72) Inventor: **Zhihao Liu**, Fuzhou (CN)

(\*\*) Term: **15 Years**

(21) Appl. No.: **29/601,504**

(22) Filed: **Apr. 24, 2017**

(51) **LOC (11) Cl.** ..... **23-04**

(52) **U.S. Cl.**  
USPC ..... **D23/366**

(58) **Field of Classification Search**  
USPC ..... D23/314, 325, 333-336, 355-367,  
D23/386-388  
CPC . A61L 9/03; A61L 9/012; A61L 9/015; A61L  
9/037

See application file for complete search history.

(56) **References Cited**

**U.S. PATENT DOCUMENTS**

D179,194 S	*	11/1956	Flury	.....	D23/362
D289,920 S	*	5/1987	O'Neil, Jr.	.....	D23/366
D339,986 S	*	10/1993	Garouste	.....	D9/519
D350,192 S	*	8/1994	Patel	.....	D23/366
D422,069 S	*	3/2000	Decker	.....	D23/364
D522,118 S	*	5/2006	Miro	.....	D23/366
D611,588 S	*	3/2010	Jorgensen	.....	D23/366
D753,279 S	*	4/2016	Li	.....	D23/366
D810,261 S	*	2/2018	Chen	.....	D23/366

D810,263 S \* 2/2018 Lu ..... D23/366

\* cited by examiner

*Primary Examiner* — Brandon M Rosati

*Assistant Examiner* — John A Voytek

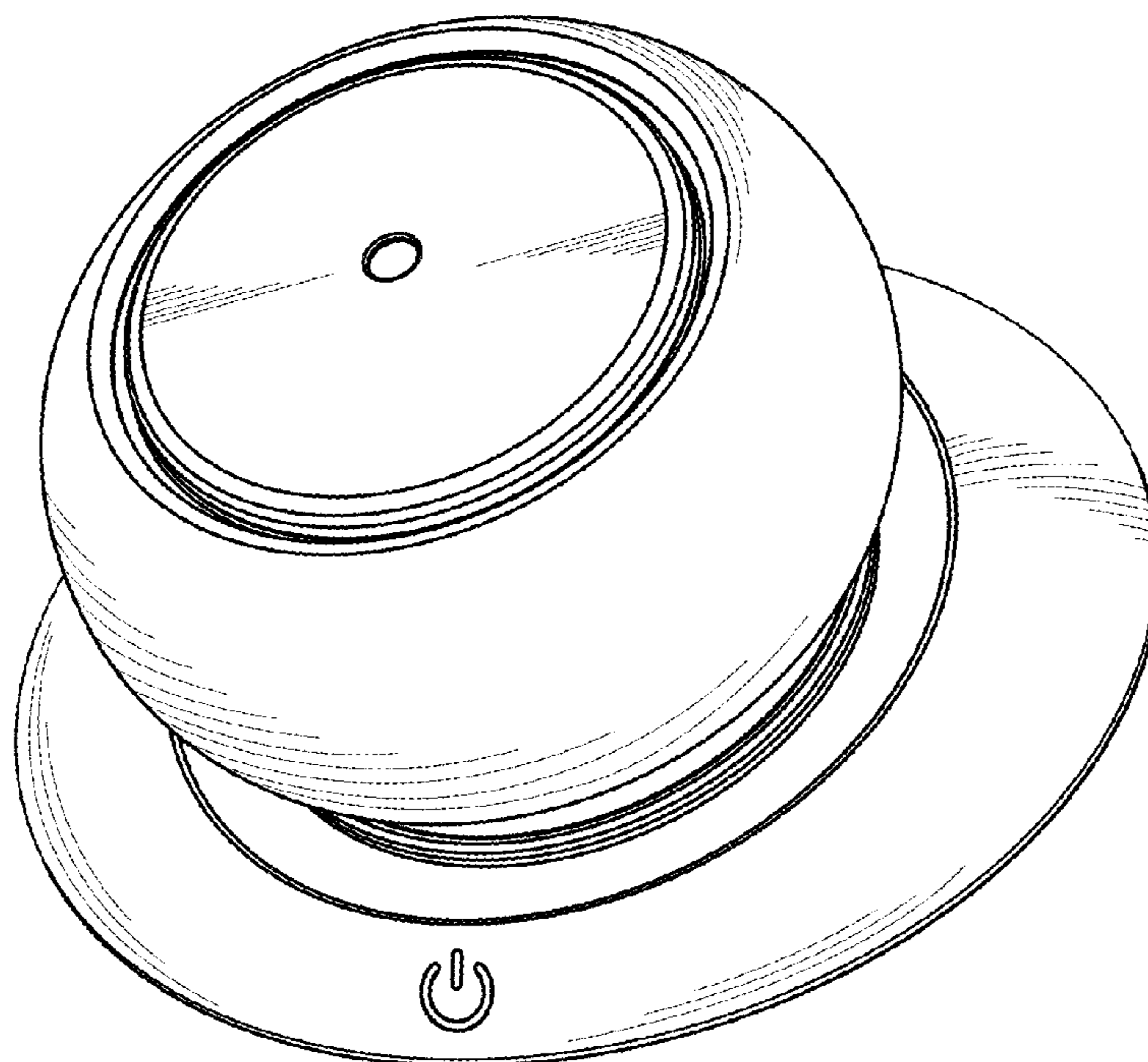
(57) **CLAIM**

The ornamental design for an aroma diffuser, as shown and described.

**DESCRIPTION**

FIG. 1 is a front elevational view of the container portion of the aroma diffuser showing my new design; FIG. 2 is a rear elevational view thereof; FIG. 3 is a left side elevational view thereof; FIG. 4 is a right side elevational view thereof; FIG. 5 is a top plan view thereof; FIG. 6 is a bottom plan view thereof, and FIG. 7 is a front perspective view thereof. FIG. 8 is a front elevational view of the electric diffuser portion of the aroma diffuser showing my new design; FIG. 9 is a rear elevational view thereof; FIG. 10 is a left side elevational view thereof; FIG. 11 is a right side elevational view thereof; FIG. 12 is a top plan view thereof; FIG. 13 is a bottom plan view thereof, and FIG. 14 is a front perspective view thereof. FIG. 15 is a front elevational view of the aroma diffuser showing my new design; and, FIG. 16 is a front perspective view thereof. The broken lines depict environment that forms no part of the claimed design.

**1 Claim, 8 Drawing Sheets**



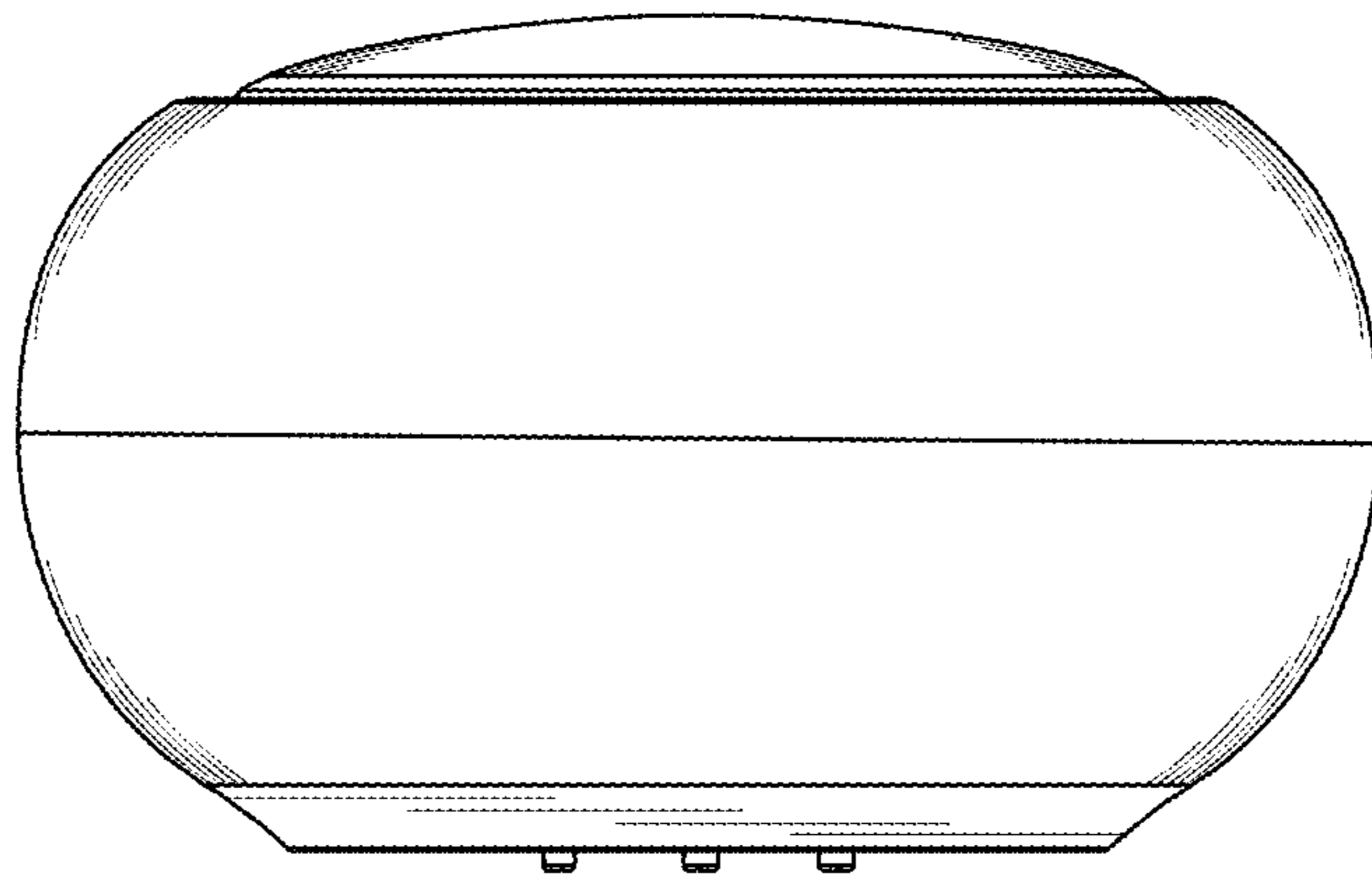


FIG. 1

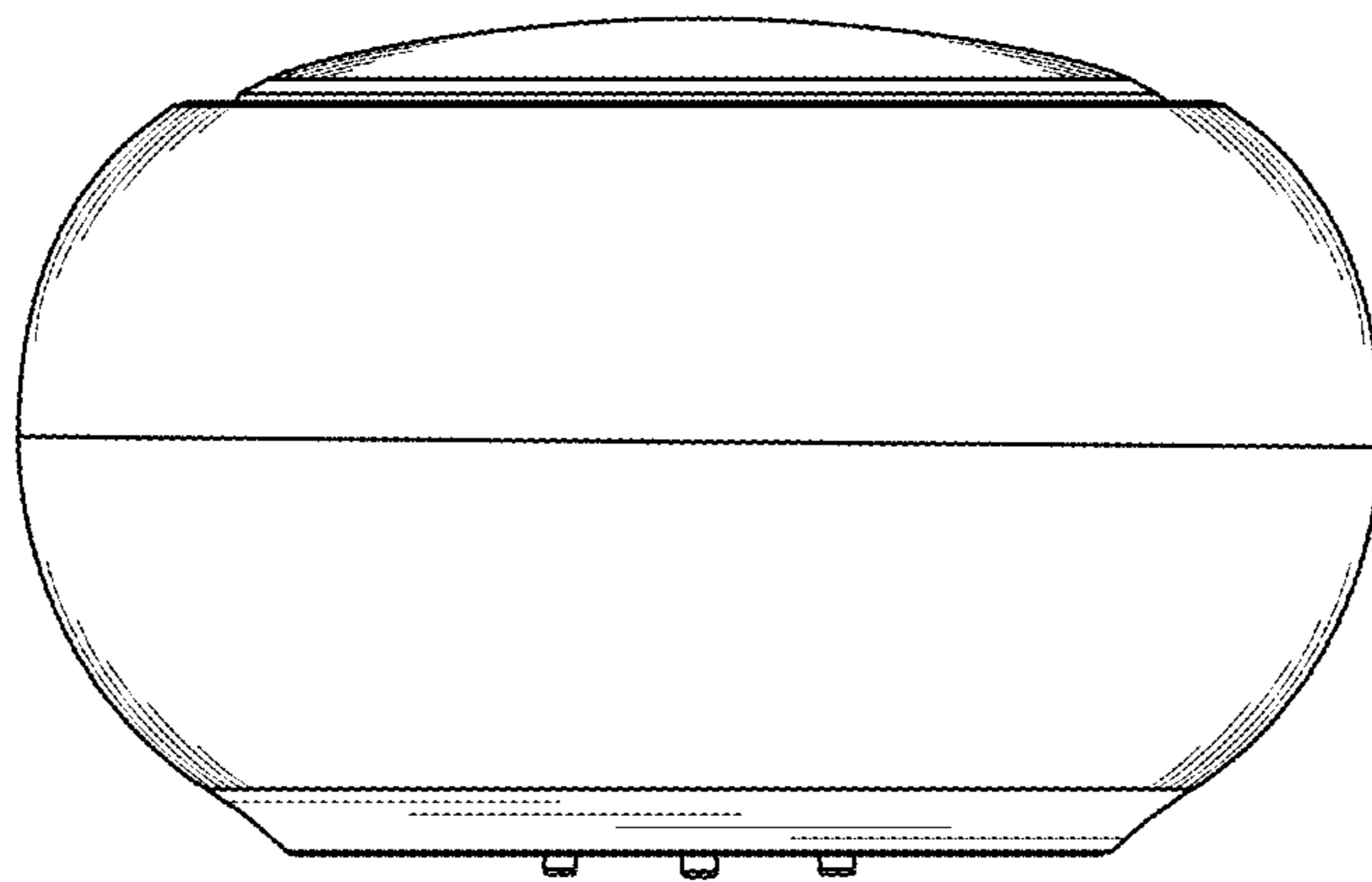


FIG. 2

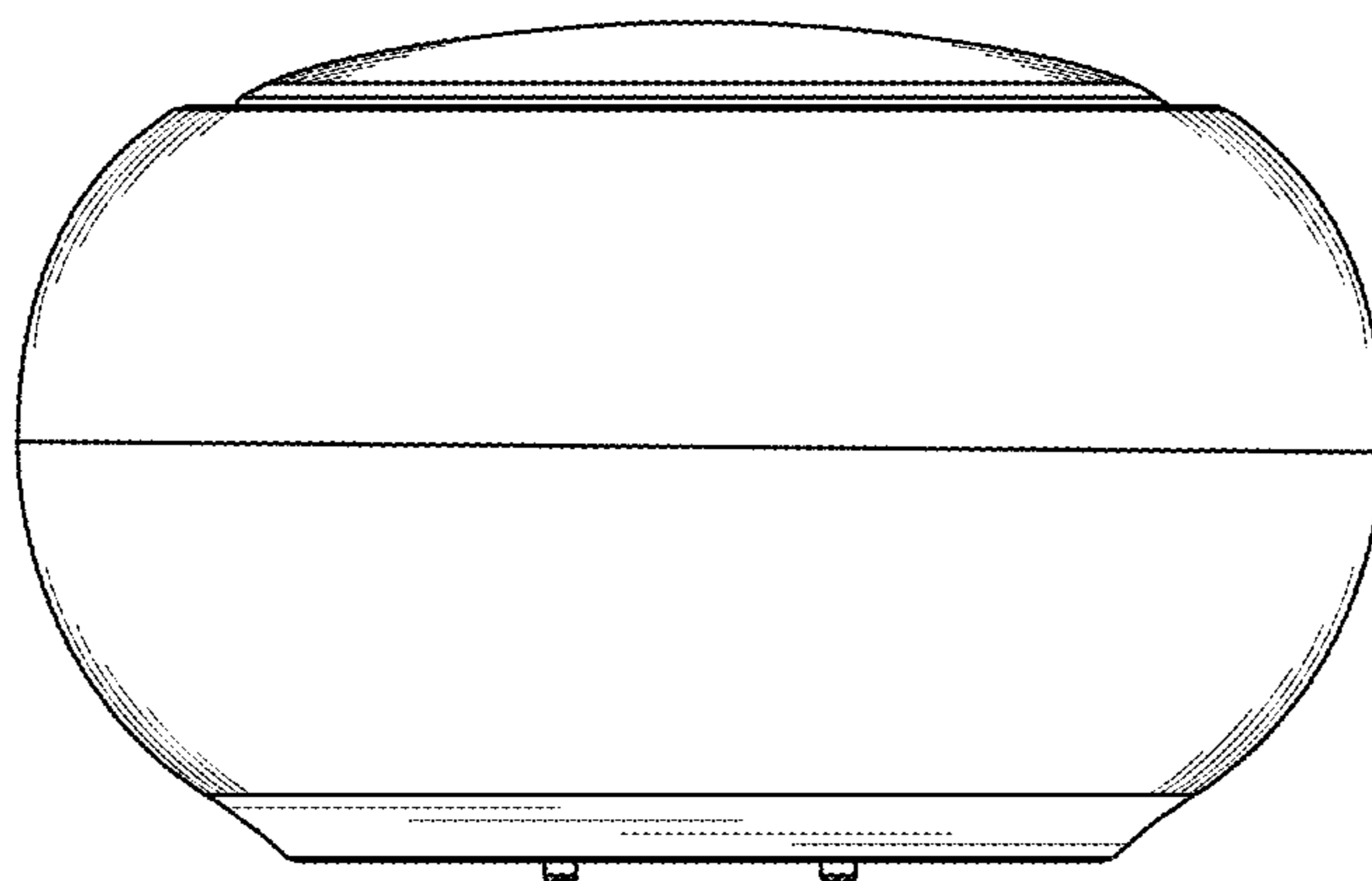


FIG.3

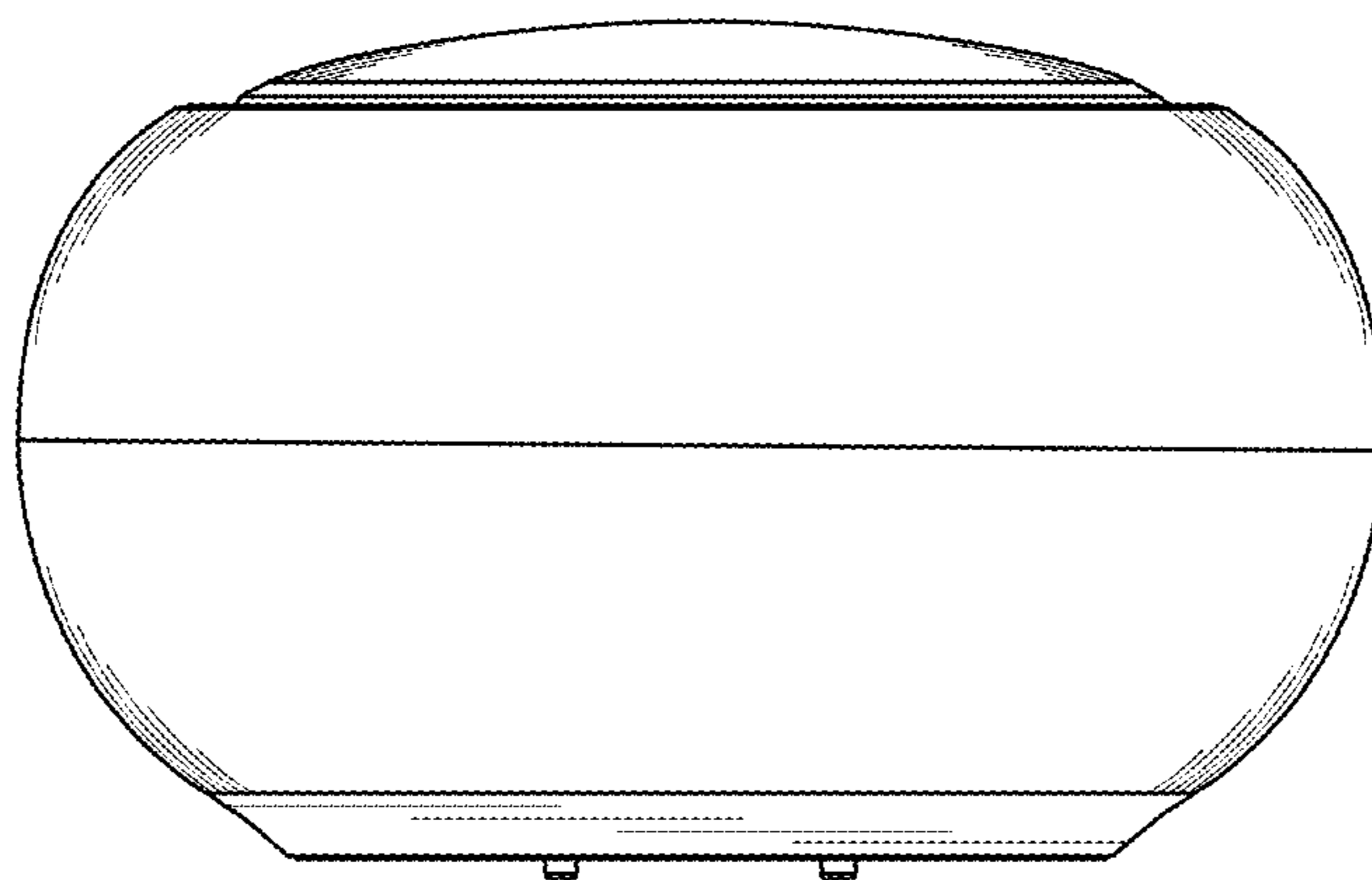


FIG.4

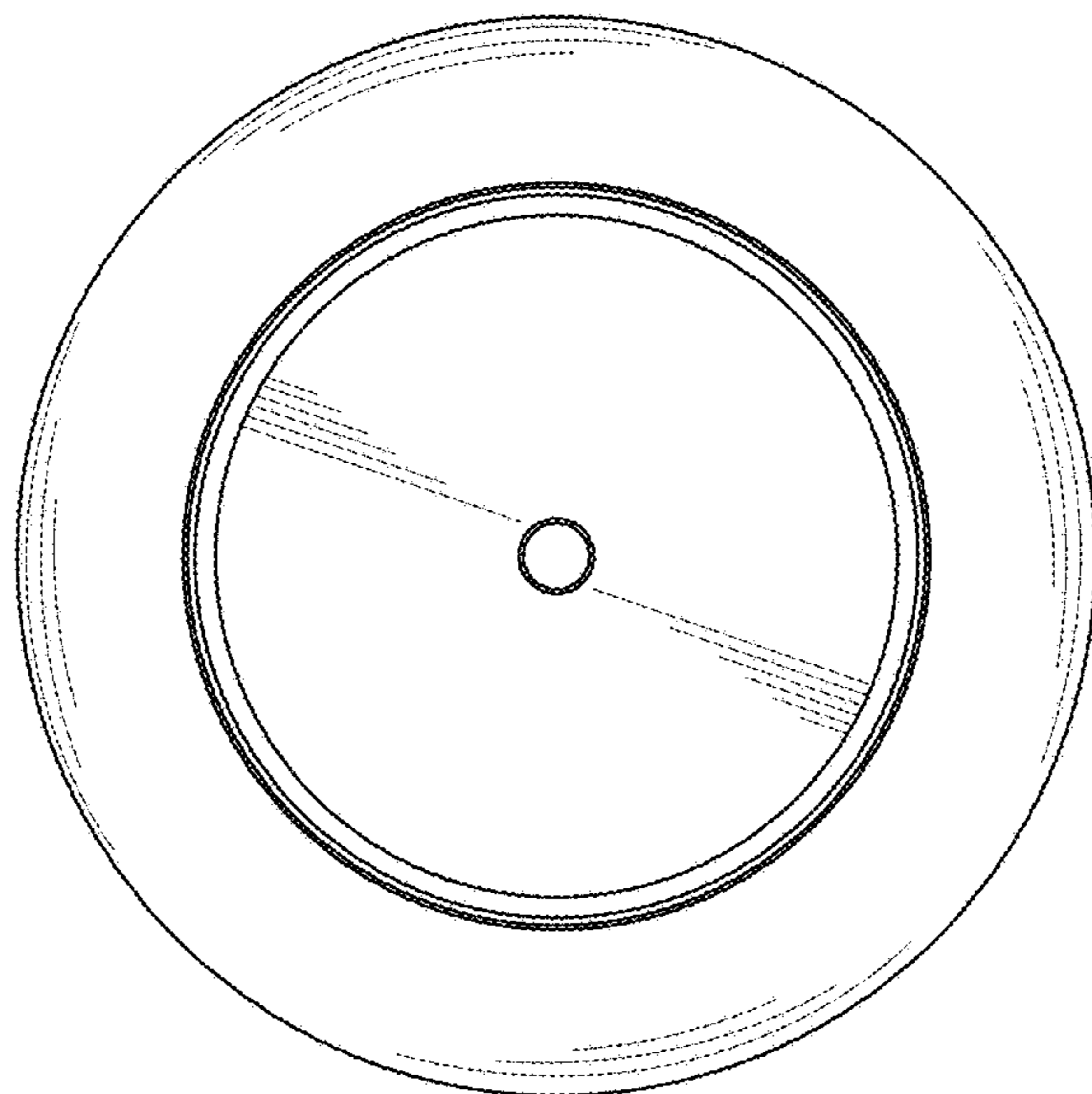


FIG. 5

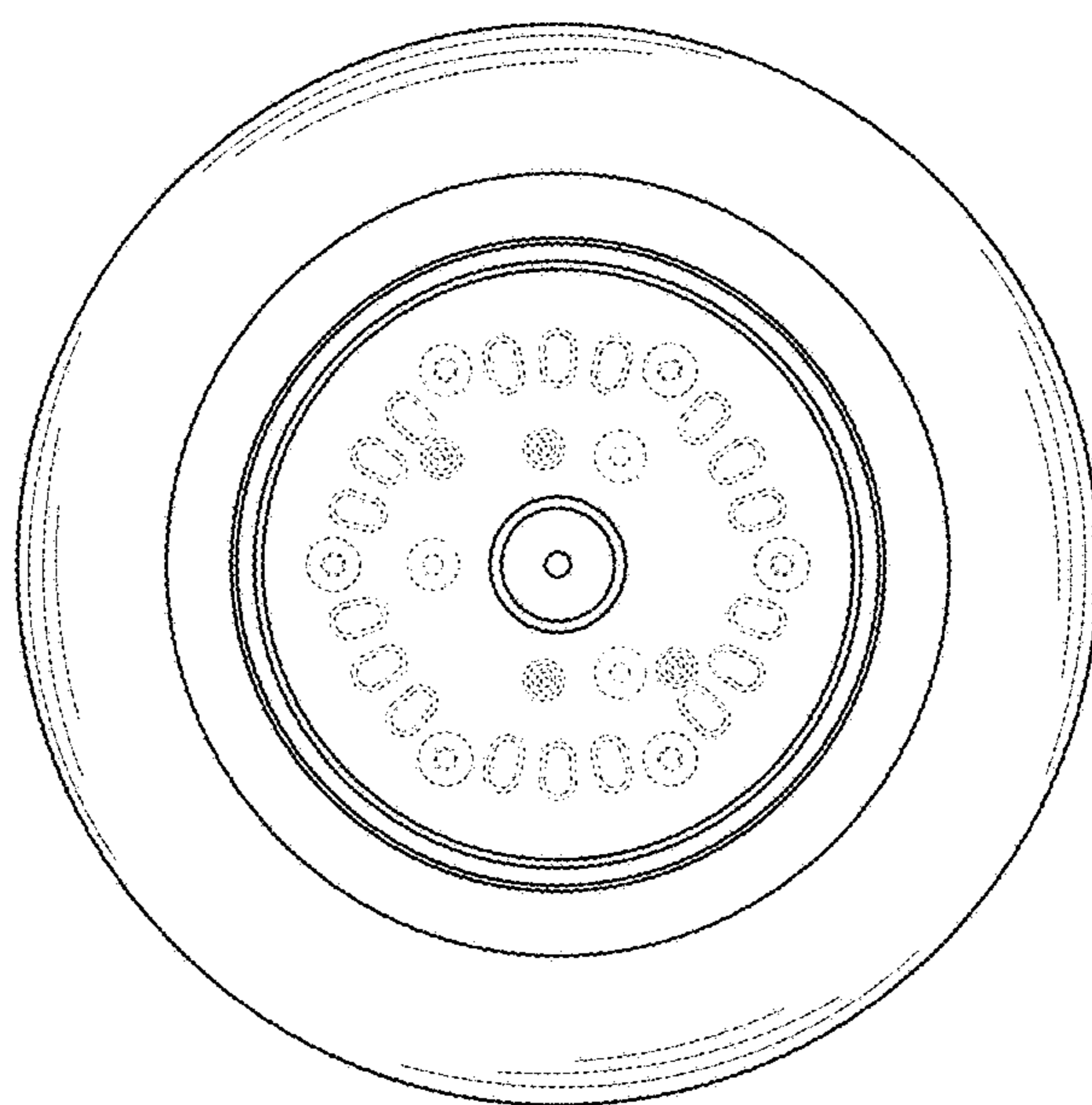


FIG. 6

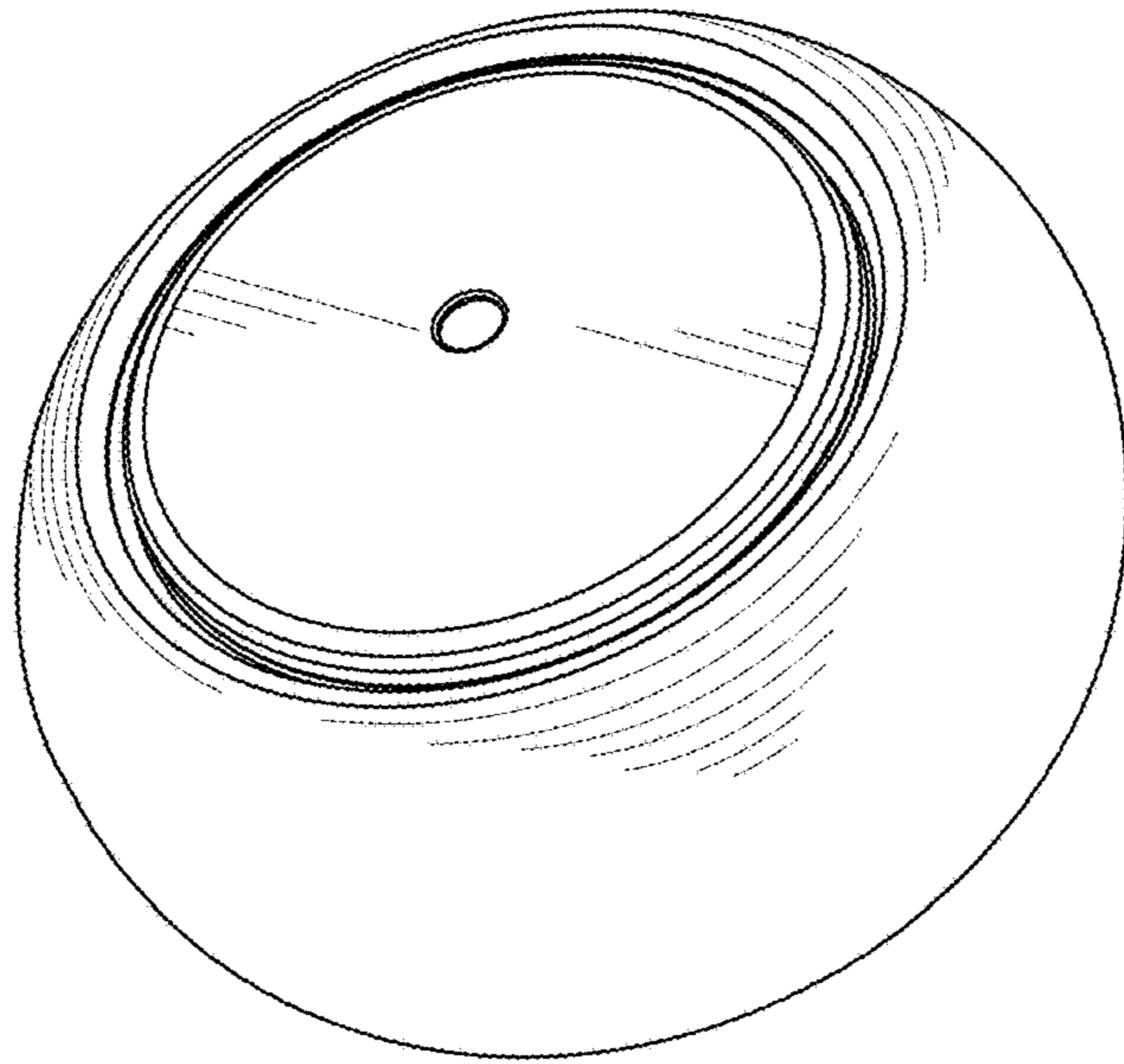


FIG. 7

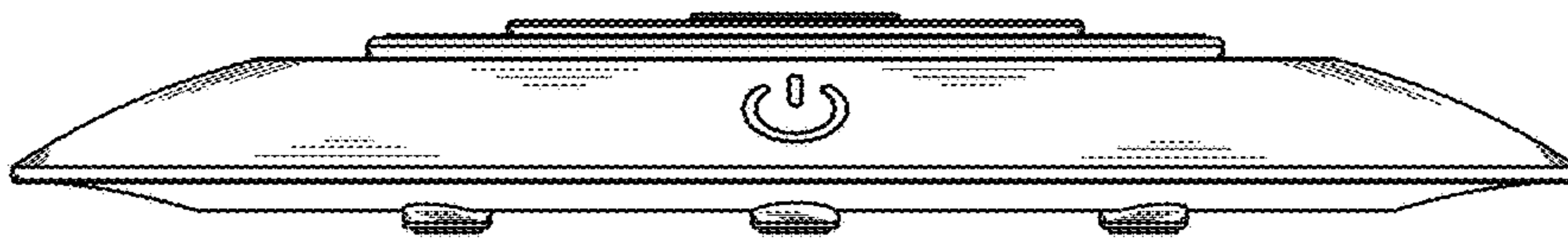


FIG. 8

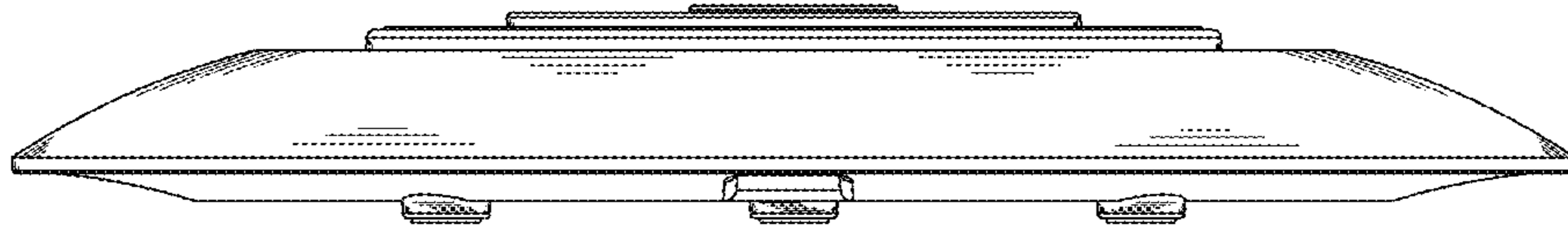


FIG. 9

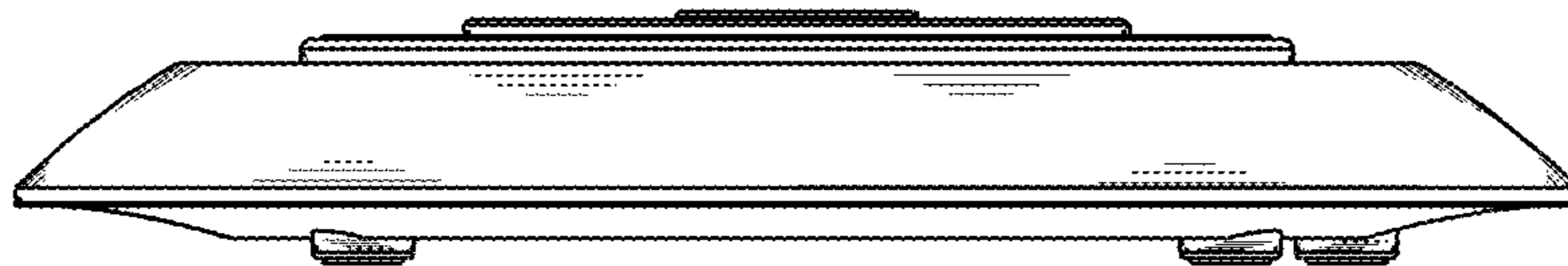


FIG. 10

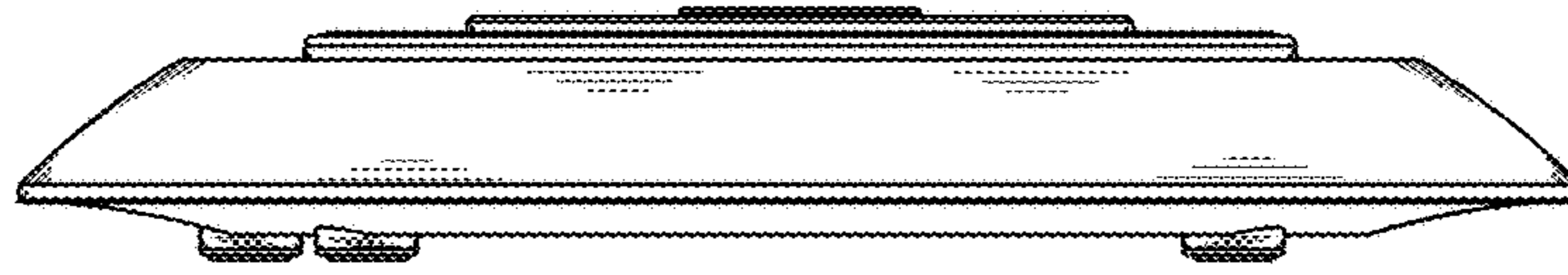


FIG. 11

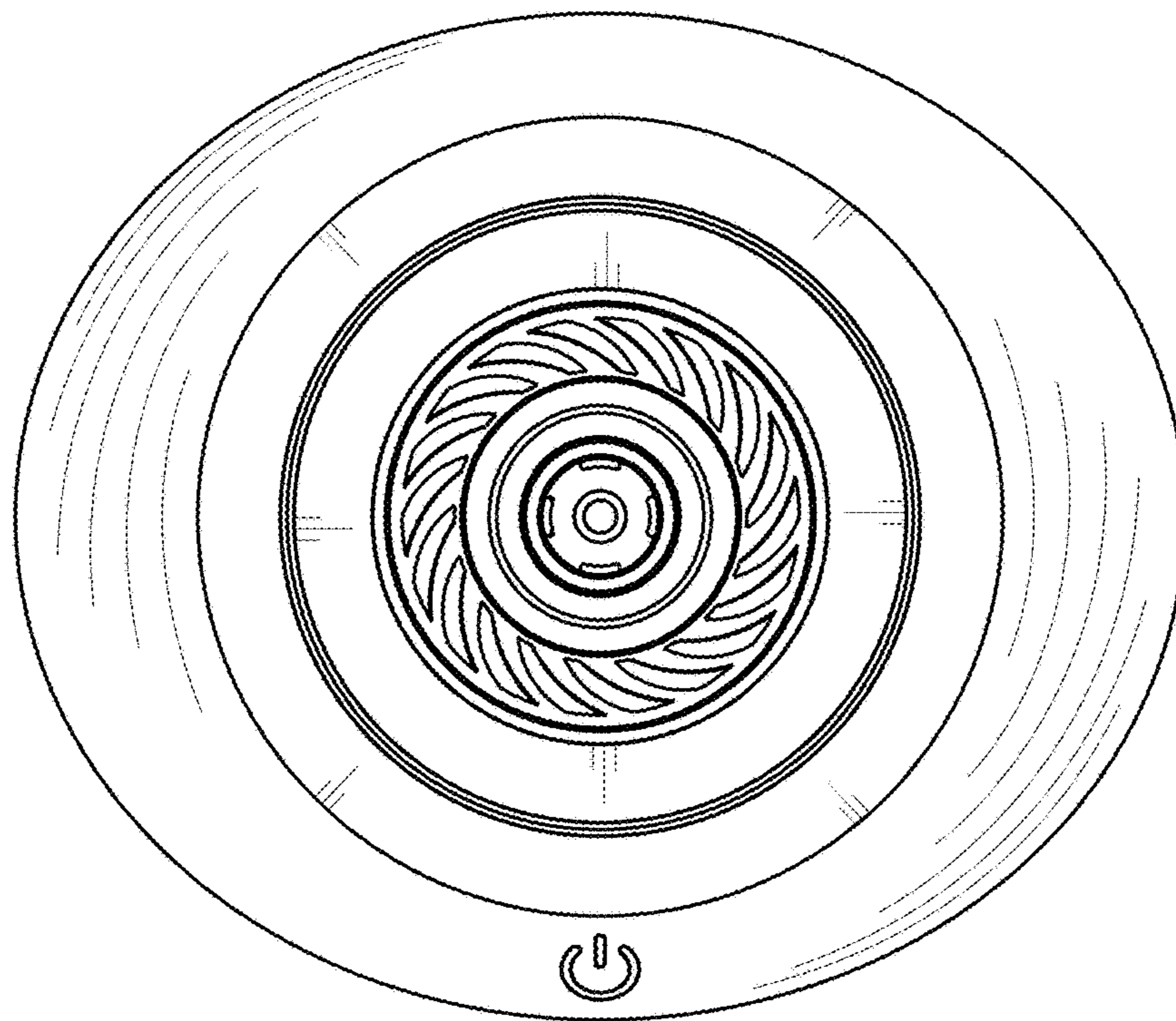


FIG. 12

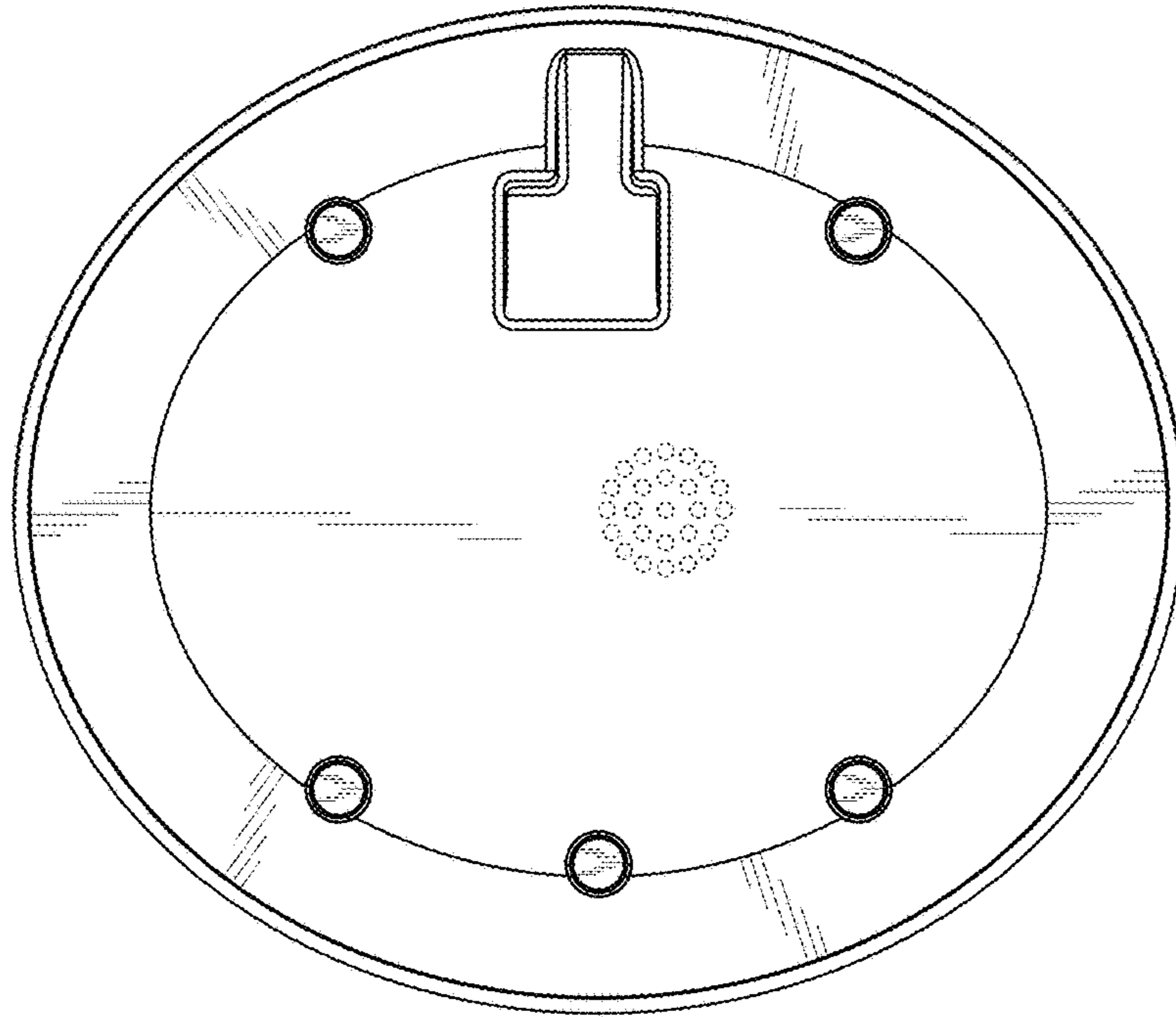


FIG. 13

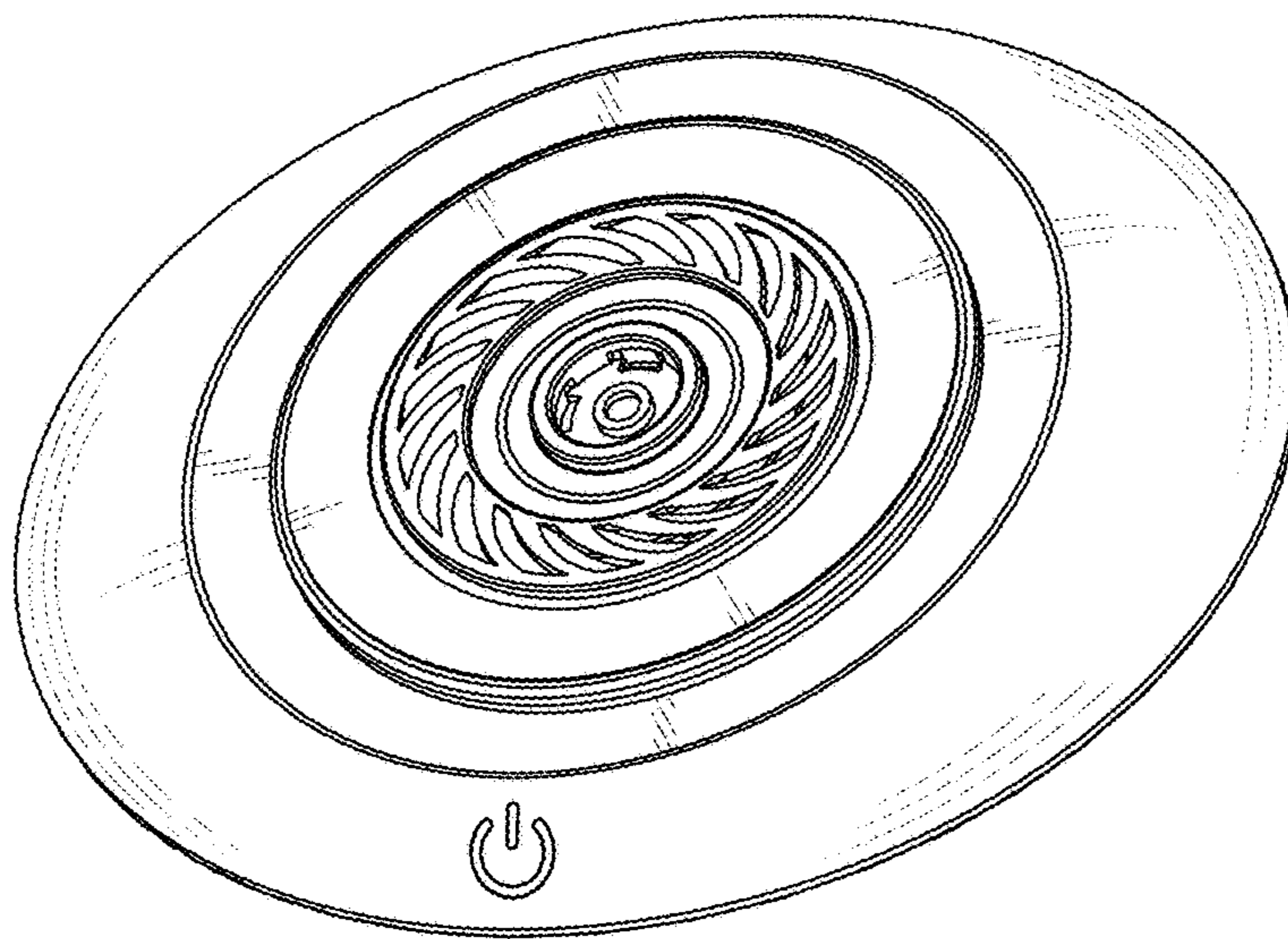


FIG. 14



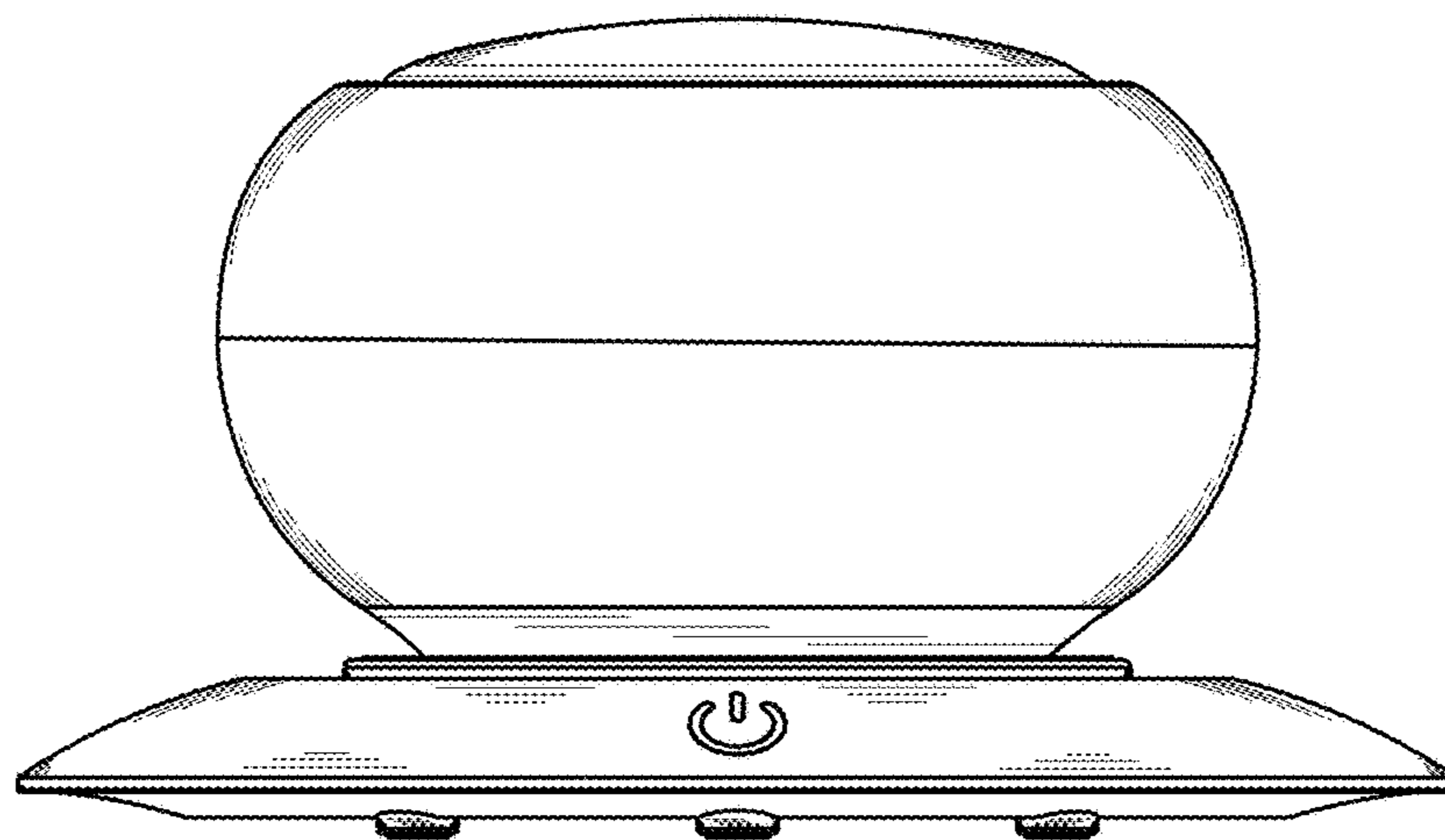


FIG. 15

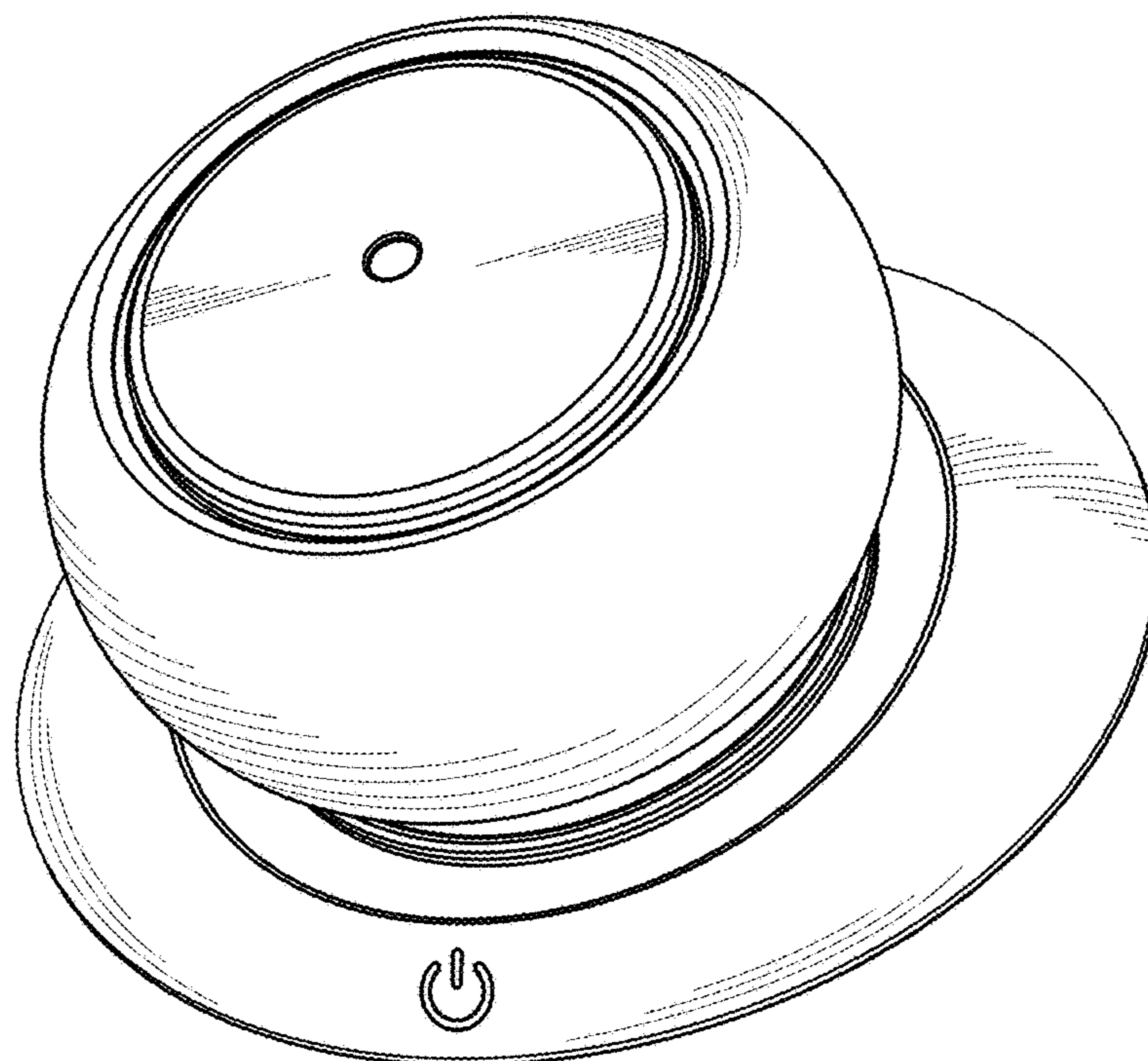


FIG. 16