



US00D829874S

(12) **United States Design Patent**
Junfeng

(10) **Patent No.:** **US D829,874 S**
(45) **Date of Patent:** **** Oct. 2, 2018**

(54) **HEAT EXCHANGER**

(71) Applicant: **Danfoss Micro Channel Heat Exchanger (Jiaxing) Co., Ltd.**, Zhejiang (CN)

(72) Inventor: **Jin Junfeng**, Zhejiang (CN)

(73) Assignee: **Danfoss Micro Channel Heat Exchanger (Jiaxing) Co., Ltd.**, Zhejiang (CN)

(**) Term: **15 Years**

(21) Appl. No.: **29/637,679**

(22) Filed: **Feb. 21, 2018**

Related U.S. Application Data

(62) Division of application No. 29/588,849, filed on Dec. 23, 2016.

Foreign Application Priority Data

Jul. 5, 2016 (CN) 2016 3 0303259

(51) **LOC (11) Cl.** **23-03**

(52) **U.S. Cl.**
USPC **D23/323**

(58) **Field of Classification Search**
USPC D23/323, 322, 324, 325, 326, 327, 330, D23/386, 352, 354, 449; D7/407; D13/179

CPC F28F 1/06; F28F 1/16; F28F 1/21; F28F 9/02; F28D 1/047; F28D 13/12; F28D 7/06; F28D 7/10; F28D 2001/0266; B21D 53/02; F28B 1/06

See application file for complete search history.

(56) **References Cited**

U.S. PATENT DOCUMENTS

5,787,973 A * 8/1998 Kado F28F 9/182
165/153
5,910,167 A * 6/1999 Reinke F25B 39/028
165/174
D787,033 S * 5/2017 Huan D23/323
(Continued)

Primary Examiner — Karen S Acker

Assistant Examiner — Steven B Reinholdt, Jr.

(74) *Attorney, Agent, or Firm* — McCormick, Paulding & Huber LLP

(57) **CLAIM**

The ornamental design for a heat exchanger, substantially as shown and described.

DESCRIPTION

FIG. 1 is a front, left side and top perspective view of the heat exchanger in accordance with a first embodiment;
FIG. 2 is a front view thereof;
FIG. 3 is a rear view thereof;
FIG. 4 is a left side view thereof;
FIG. 5 is a right side view thereof;
FIG. 6 is a top view thereof;
FIG. 7 is a bottom view thereof;
FIG. 8 is a front, left side and top perspective view of the heat exchanger in accordance with a second embodiment;
FIG. 9 is a front view thereof;
FIG. 10 is a rear view thereof;
FIG. 11 is a left side view thereof;
FIG. 12 is a right side view thereof;
FIG. 13 is a top view thereof;
FIG. 14 is a bottom view thereof;
FIG. 15 is a front, left side and top perspective view of the heat exchanger in accordance with a third embodiment;
FIG. 16 is a front view thereof;

(Continued)

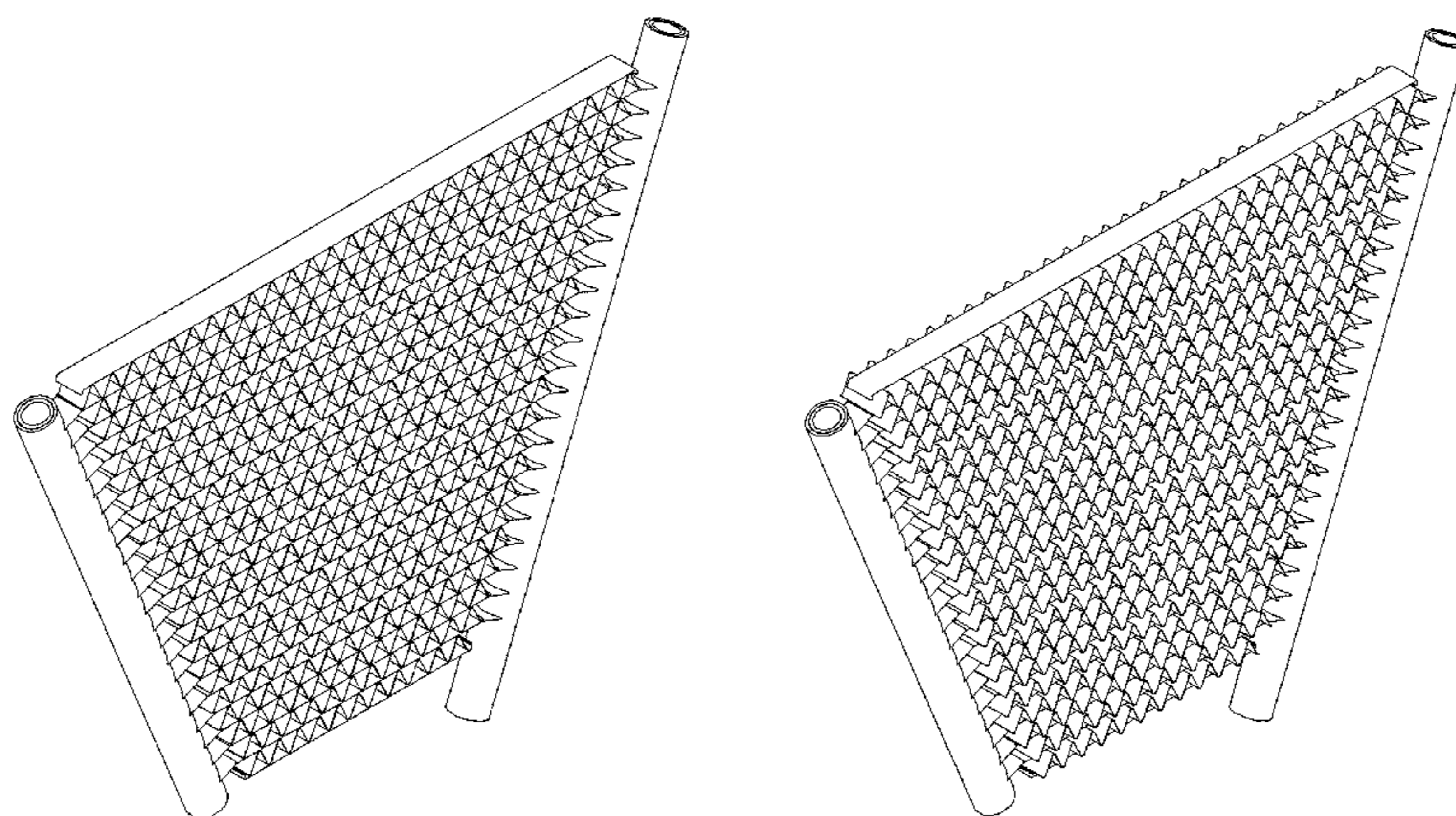


FIG. 17 is a rear view thereof;
FIG. 18 is a left side view thereof;
FIG. 19 is a right side view thereof;
FIG. 20 is a top view thereof; and,
FIG. 21 is a bottom view thereof.

1 Claim, 21 Drawing Sheets

(56)

References Cited

U.S. PATENT DOCUMENTS

| | | | | |
|--------------|------|---------|-----------------|--------------------------|
| 2006/0196647 | A1 * | 9/2006 | Mathur | F28D 1/0435 165/140 |
| 2008/0173434 | A1 * | 7/2008 | Matter | F28D 1/0417 165/150 |
| 2009/0314475 | A1 * | 12/2009 | Jeon | F28D 1/0391 165/109.1 |
| 2011/0247791 | A1 * | 10/2011 | Jiang | F28D 1/047 165/173 |
| 2012/0227944 | A1 * | 9/2012 | Moisidis | F28D 1/047 165/172 |
| 2013/0292103 | A1 * | 11/2013 | Eindhoven | F28B 1/06 165/173 |
| 2014/0366571 | A1 * | 12/2014 | Gao | F25B 39/02 62/498 |
| 2014/0374077 | A1 * | 12/2014 | Lee | F28F 1/12 165/173 |

* cited by examiner

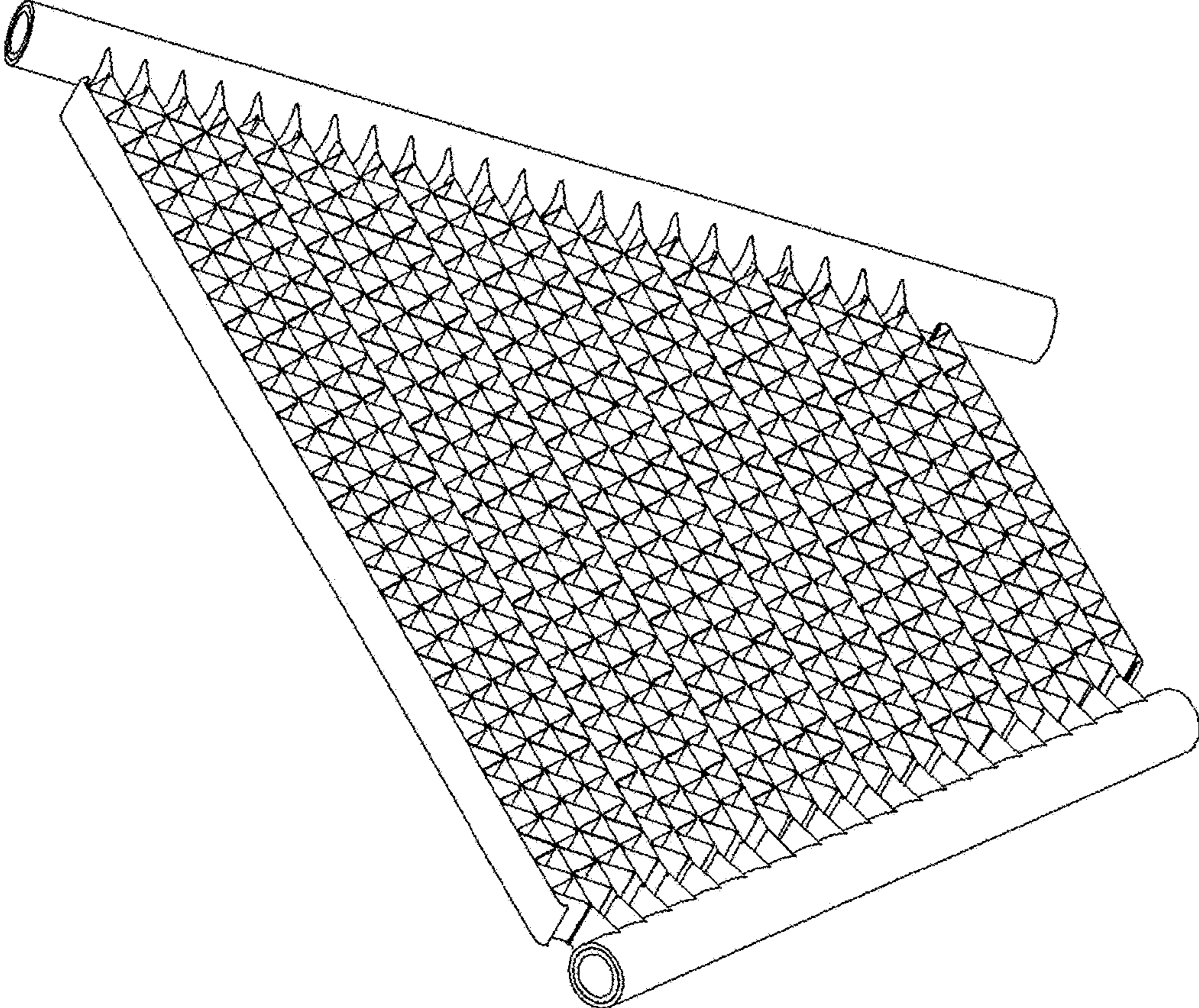


FIG. 1

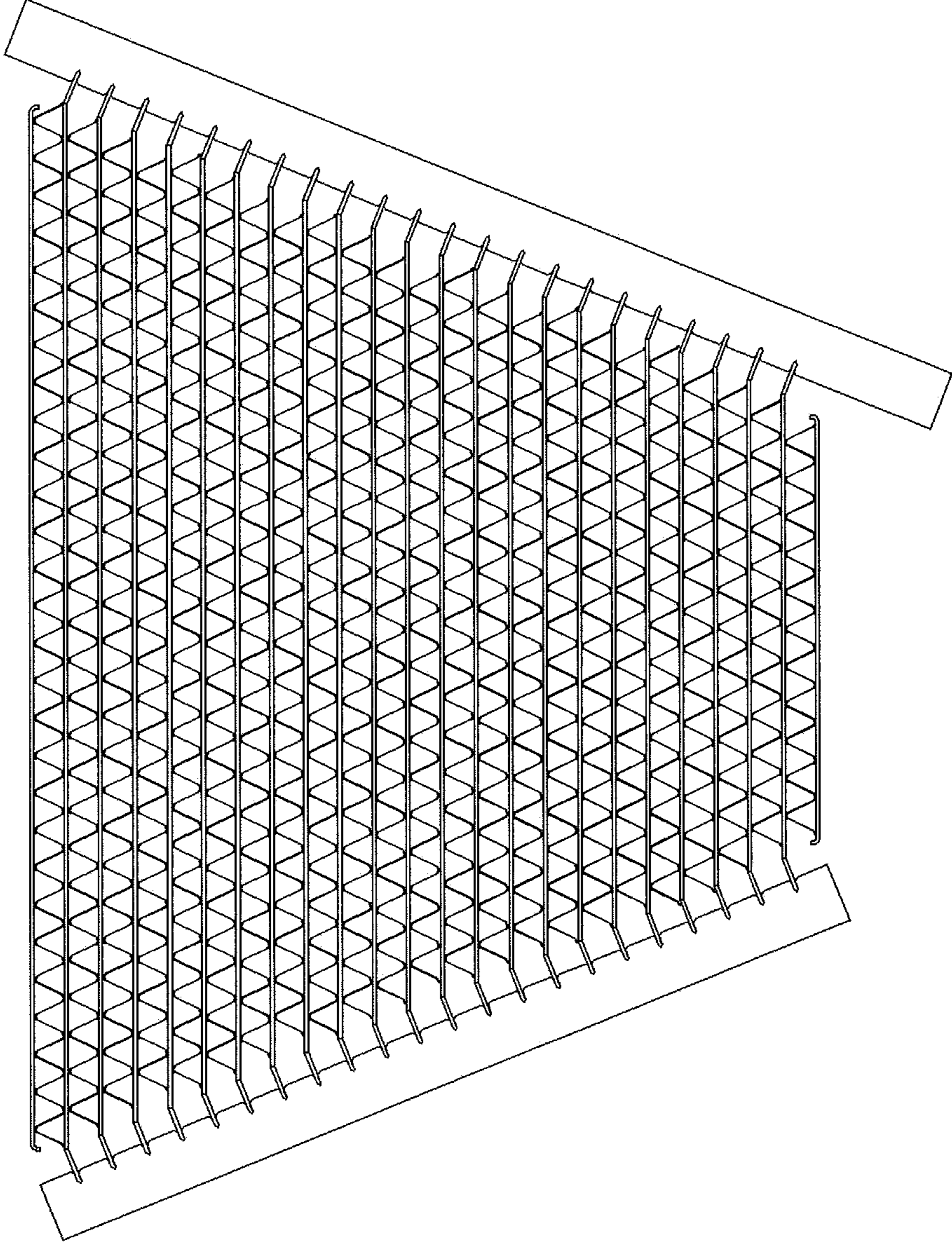


FIG. 2

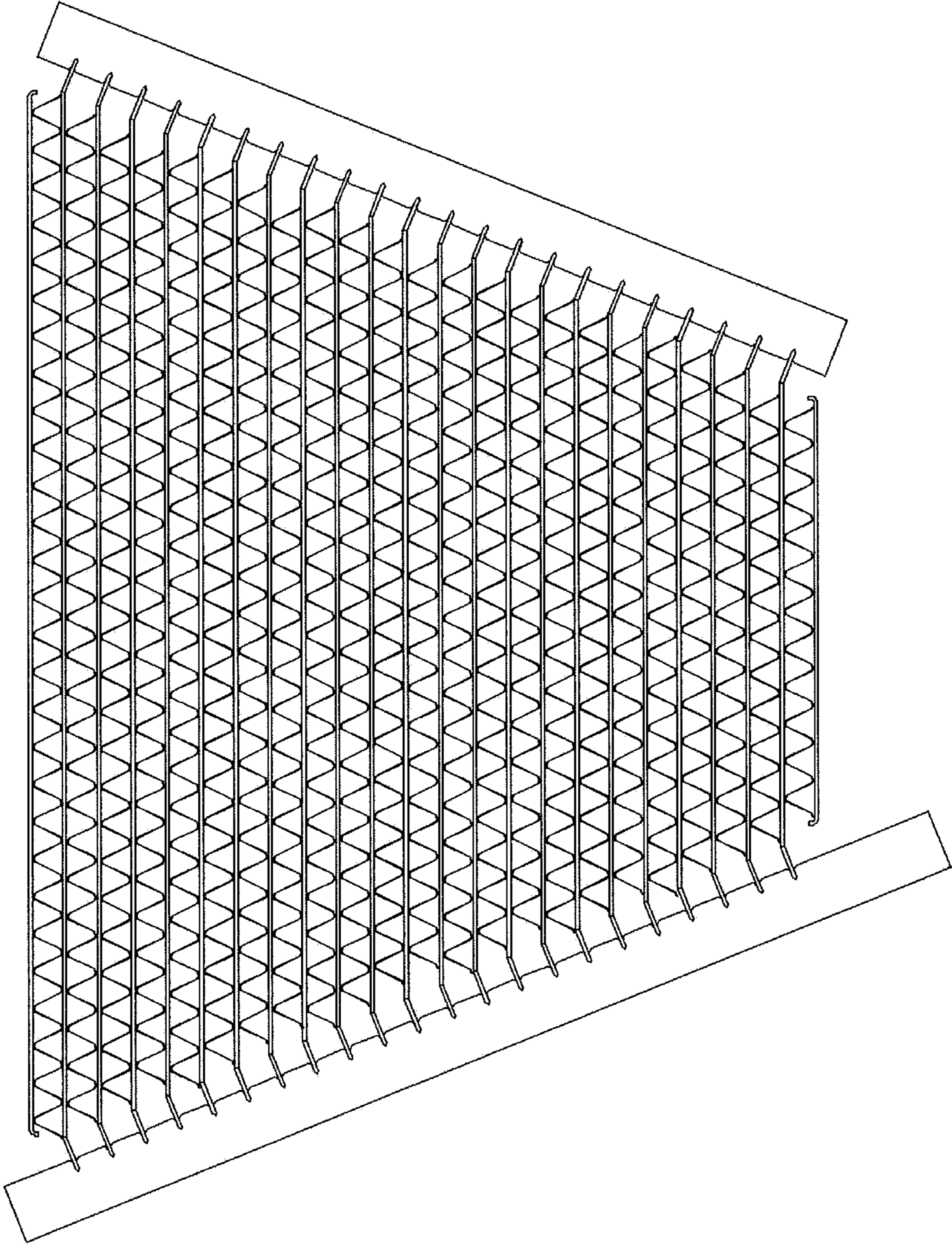


FIG. 3



FIG. 4

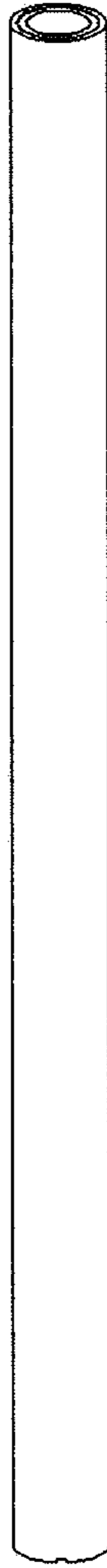


FIG. 5



FIG. 6



FIG. 7

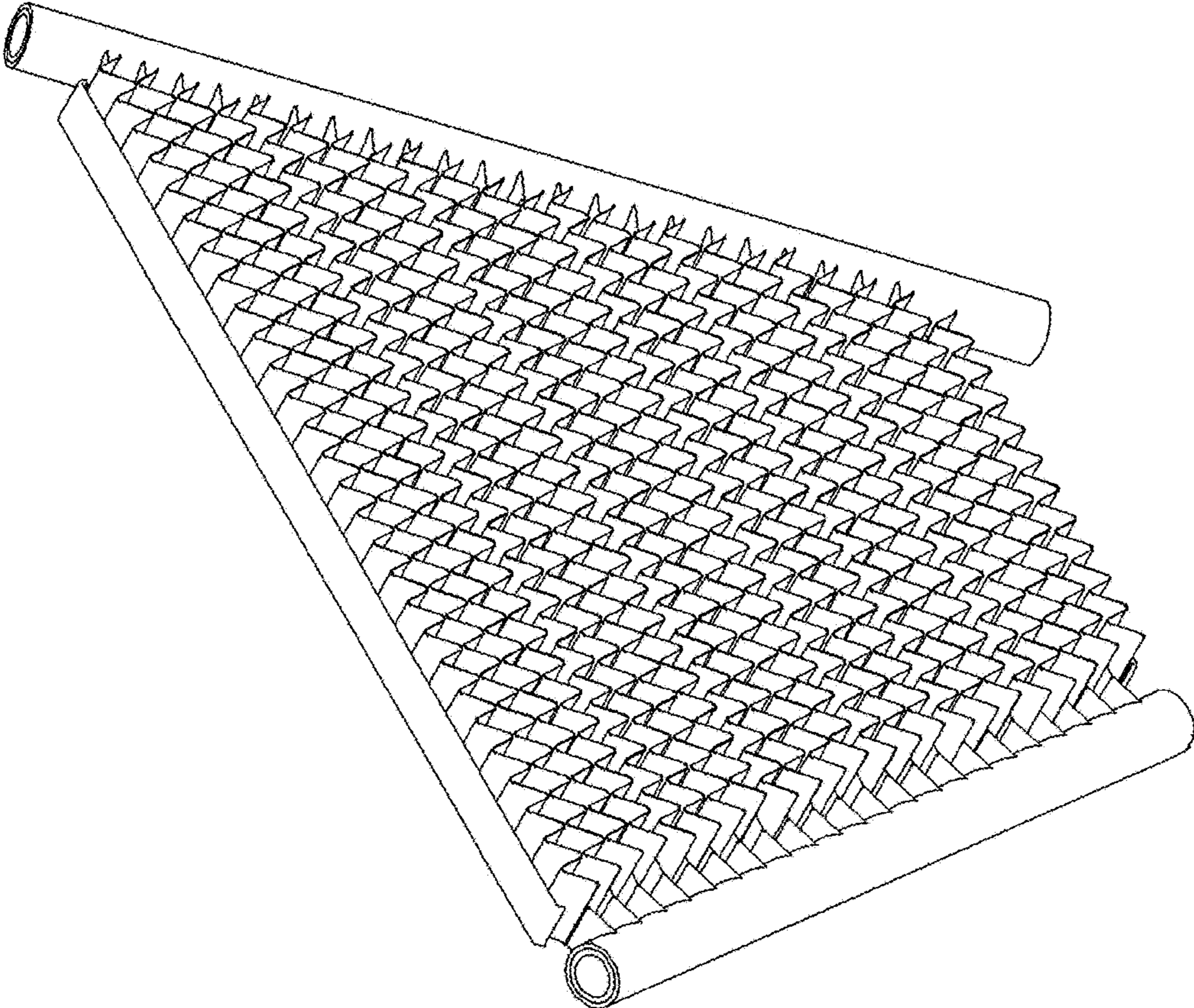


FIG. 8

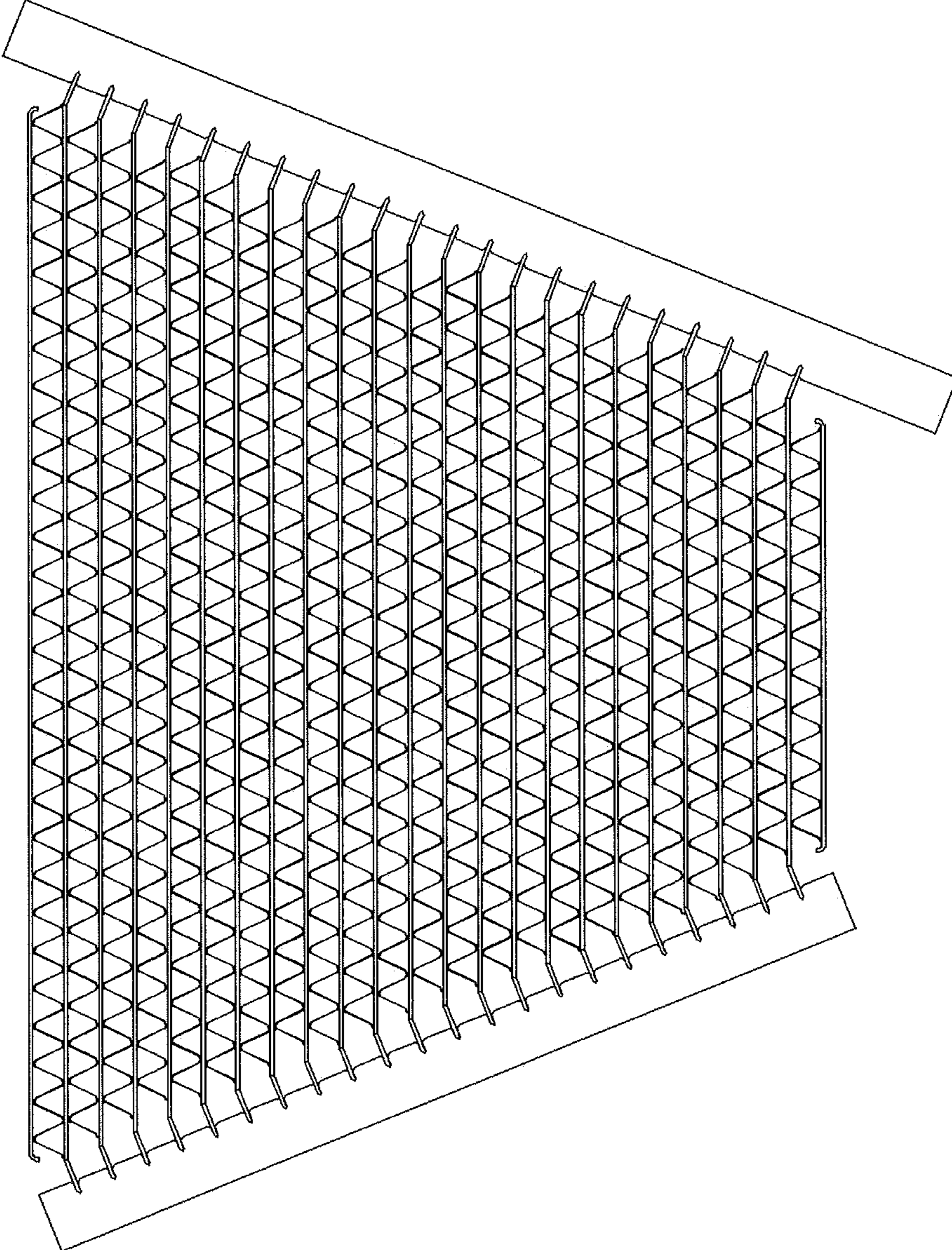


FIG. 9

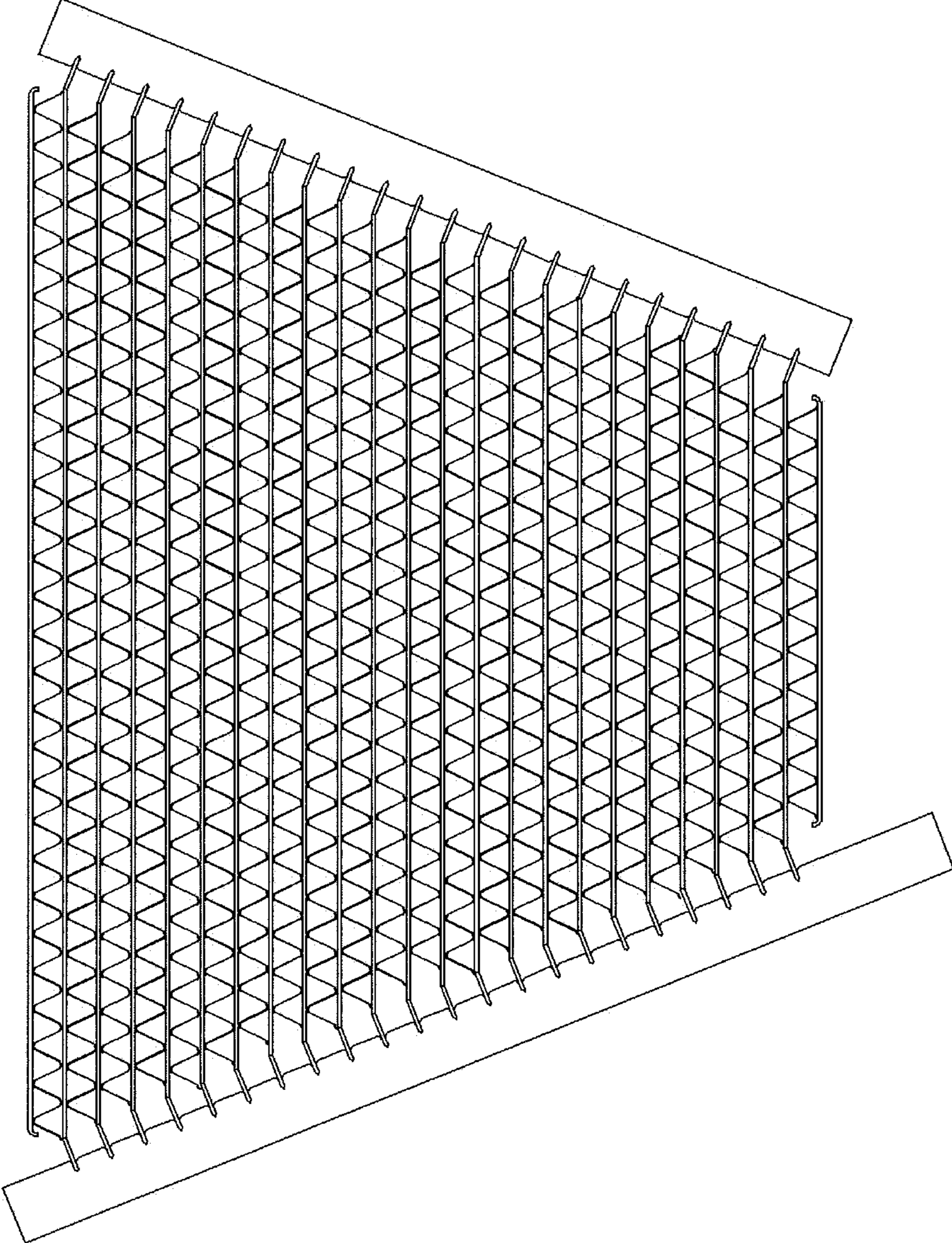


FIG. 10

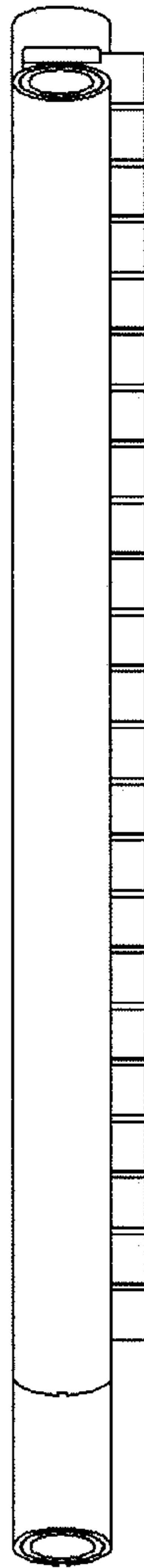


FIG. 11

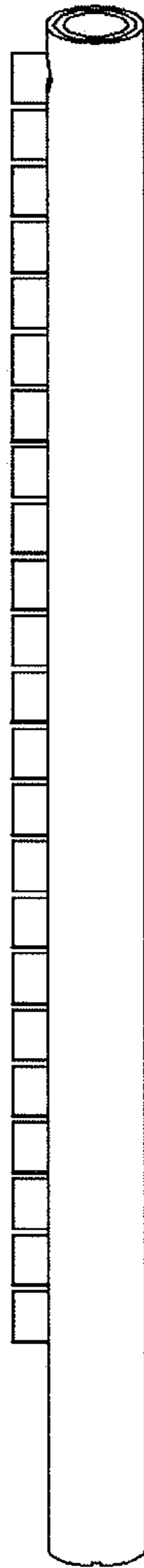


FIG. 12



FIG. 13

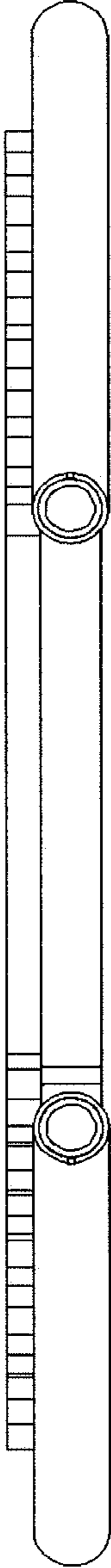


FIG. 14

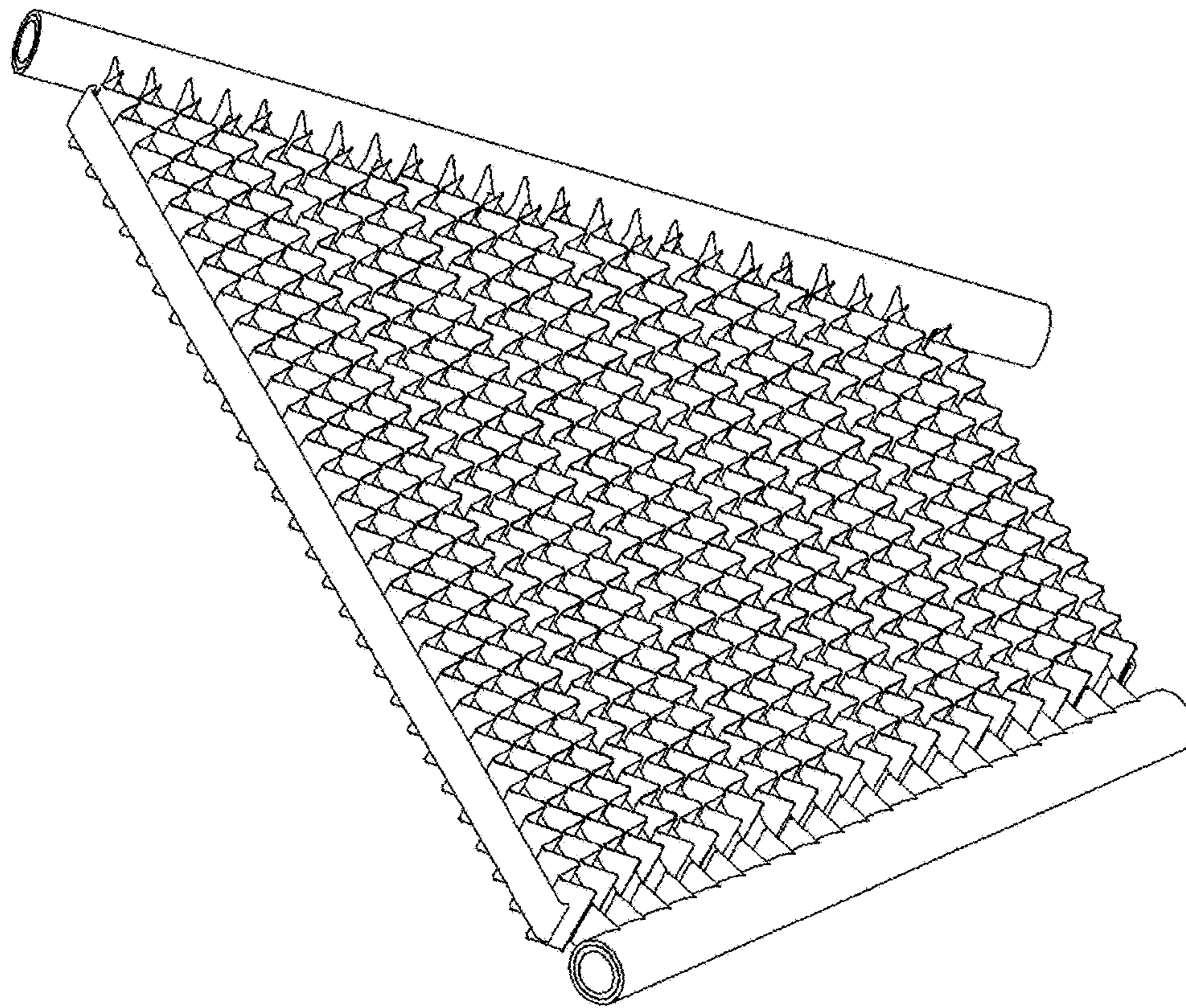


FIG. 15

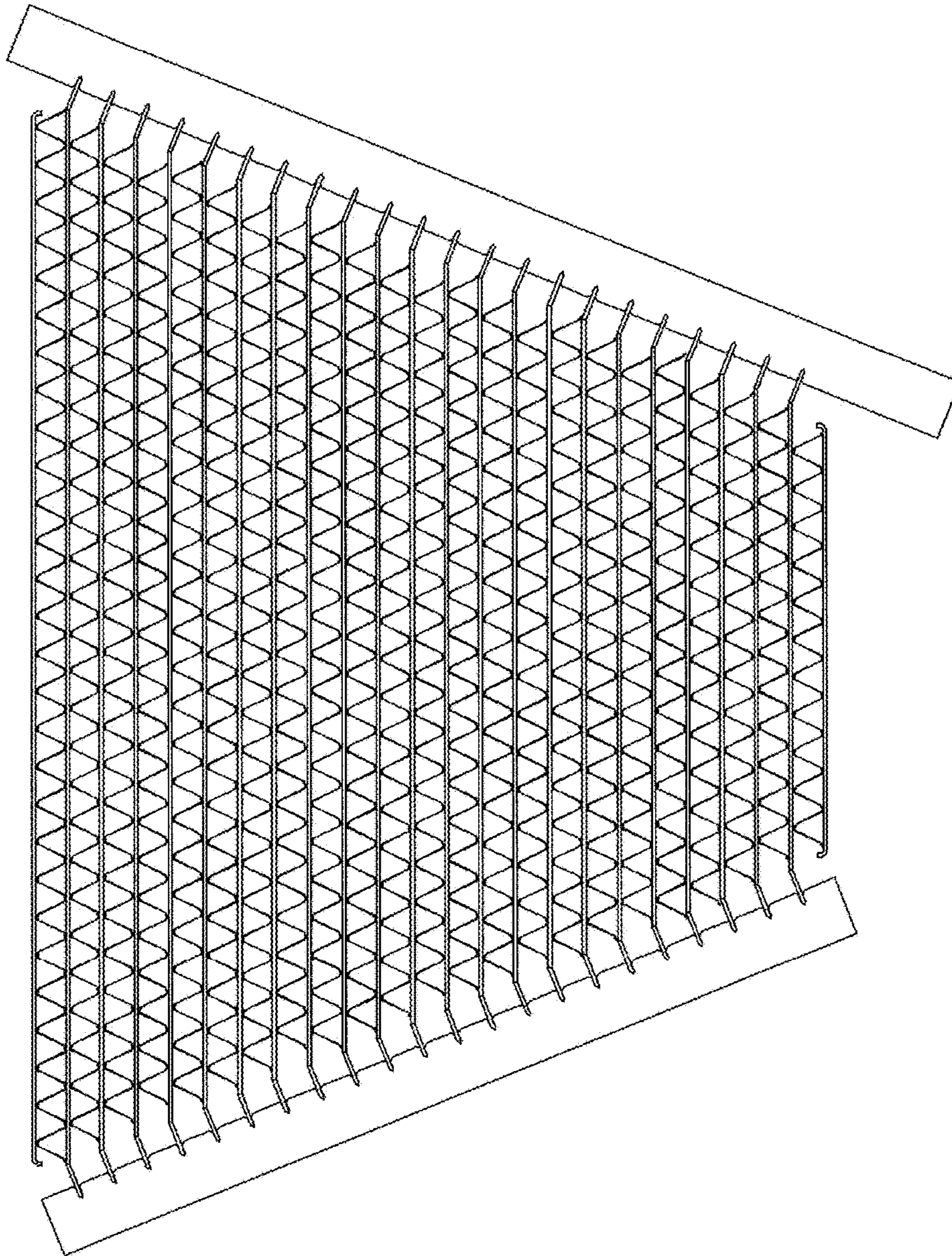


FIG. 16

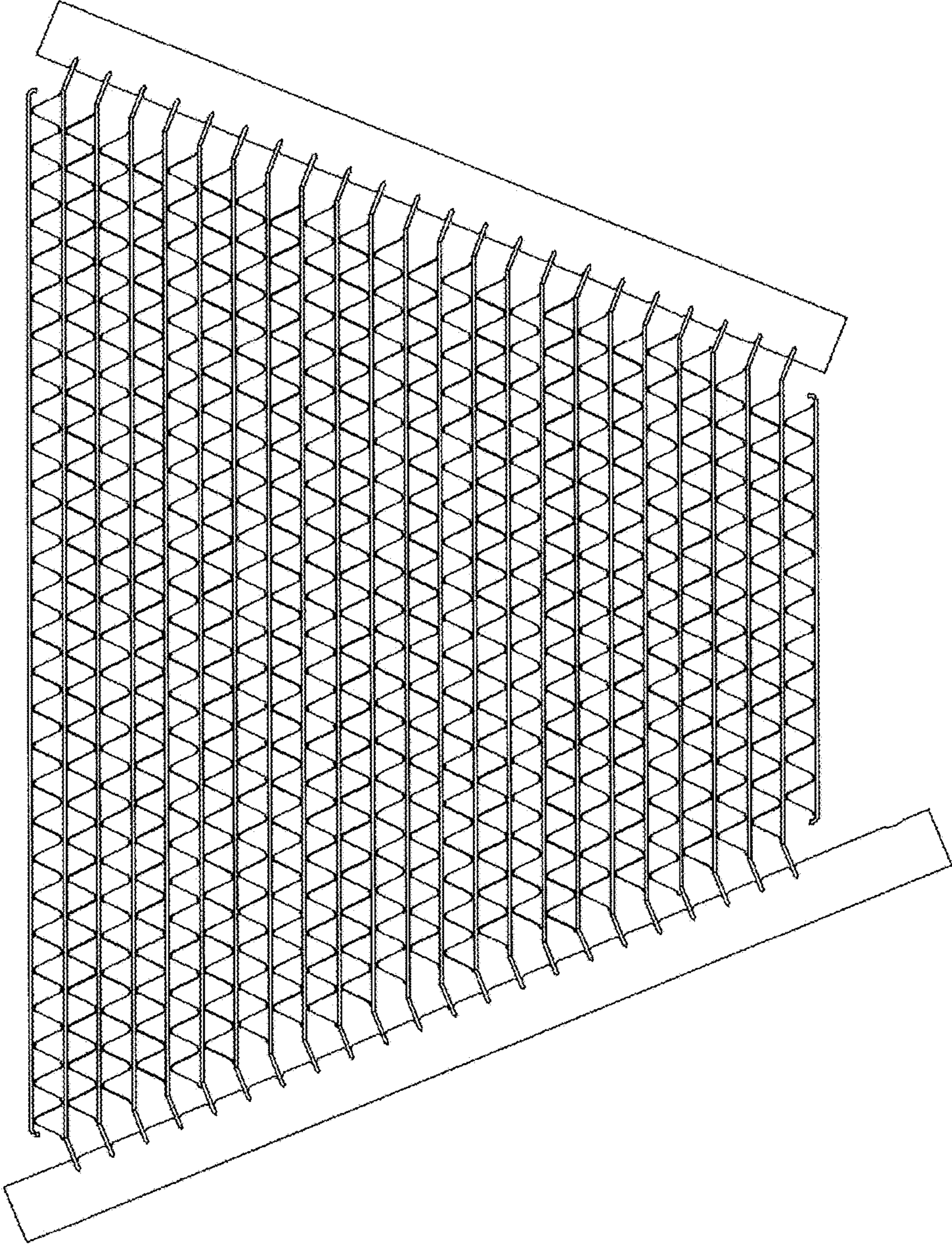


FIG. 17

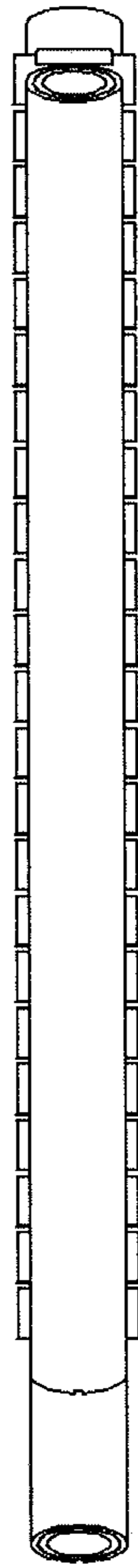


FIG. 18

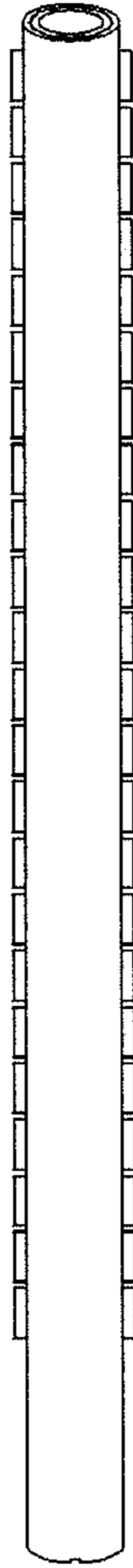


FIG. 19



FIG. 20



FIG. 21