



US00D829871S

(12) **United States Design Patent**
Garrels et al.

(10) **Patent No.:** **US D829,871 S**

(45) **Date of Patent:** **** Oct. 2, 2018**

(54) **TOILET**

(71) Applicant: **Kohler Co.**, Kohler, WI (US)

(72) Inventors: **Clayton C. Garrels**, Sheboygan, WI (US); **Robin A. Goad**, Sheboygan, WI (US)

(73) Assignee: **KOHLER CO.**, Kohler, WI (US)

(**) Term: **15 Years**

(21) Appl. No.: **29/567,510**

(22) Filed: **Jun. 9, 2016**

(51) **LOC (11) Cl.** **23-02**

(52) **U.S. Cl.**
USPC **D23/301**

(58) **Field of Classification Search**
USPC D23/295-301, 303, 309, 313
CPC A47K 11/02; A47K 11/026
See application file for complete search history.

(56) **References Cited**

U.S. PATENT DOCUMENTS

D292,431 S	10/1987	Kohler, Jr.	
D310,407 S *	9/1990	Stairs, Jr.	D23/301
D311,057 S *	10/1990	Stairs, Jr.	D23/295
D323,880 S	2/1992	McKeone et al.	
D344,579 S	2/1994	Kohler, Jr. et al.	
D360,936 S *	8/1995	Liddicoat	D23/295
D372,961 S	8/1996	Bonnell et al.	
D379,217 S	5/1997	Kergoet	
D397,214 S	8/1998	Felker	
D437,634 S	2/2001	Hundley	
D439,638 S	3/2001	Hundley	
D507,335 S	7/2005	Gordon	
D507,822 S *	7/2005	Bucher	D23/301
D514,208 S *	1/2006	Gordon	D23/301
D520,615 S *	5/2006	Hou	D23/301
D532,875 S	11/2006	Kaule	
D556,300 S *	11/2007	Lin	D23/295
D672,019 S *	12/2012	Bucher	D23/301

D687,933 S *	8/2013	Kennedy	D23/295
D690,402 S	9/2013	Bates et al.	
D697,579 S	1/2014	O'Grady	
D702,331 S *	4/2014	Garland	D23/295
D712,523 S *	9/2014	Garland	D23/295

OTHER PUBLICATIONS

Barrington Pressure Lite Toilet, Kohler Fixtures, Suggested Price Book, p. 311, dated Jan. 15, 2005.

Pinoir Comfort Height Toilet, Kohler Fixtures, Suggested Price Book, p. 264, dated Jan. 13, 2007.

Wellworth Comfort Height Toilet with Concealed Trapway, Kohler Fixtures, Suggested Price Book, p. 265, dated Jan. 13, 2007.

* cited by examiner

Primary Examiner — Brandon Michael Rosati

Assistant Examiner — John A Voytek

(74) *Attorney, Agent, or Firm* — Foley & Lardner LLP

(57) **CLAIM**

We claim the ornamental design for a toilet, as shown and described.

DESCRIPTION

FIG. 1 is a perspective view of an embodiment of the claimed design;

FIG. 2 is a top view of the embodiment of FIG. 1;

FIG. 3 is a bottom view of the embodiment of FIG. 1;

FIG. 4 is a front view of the embodiment of FIG. 1;

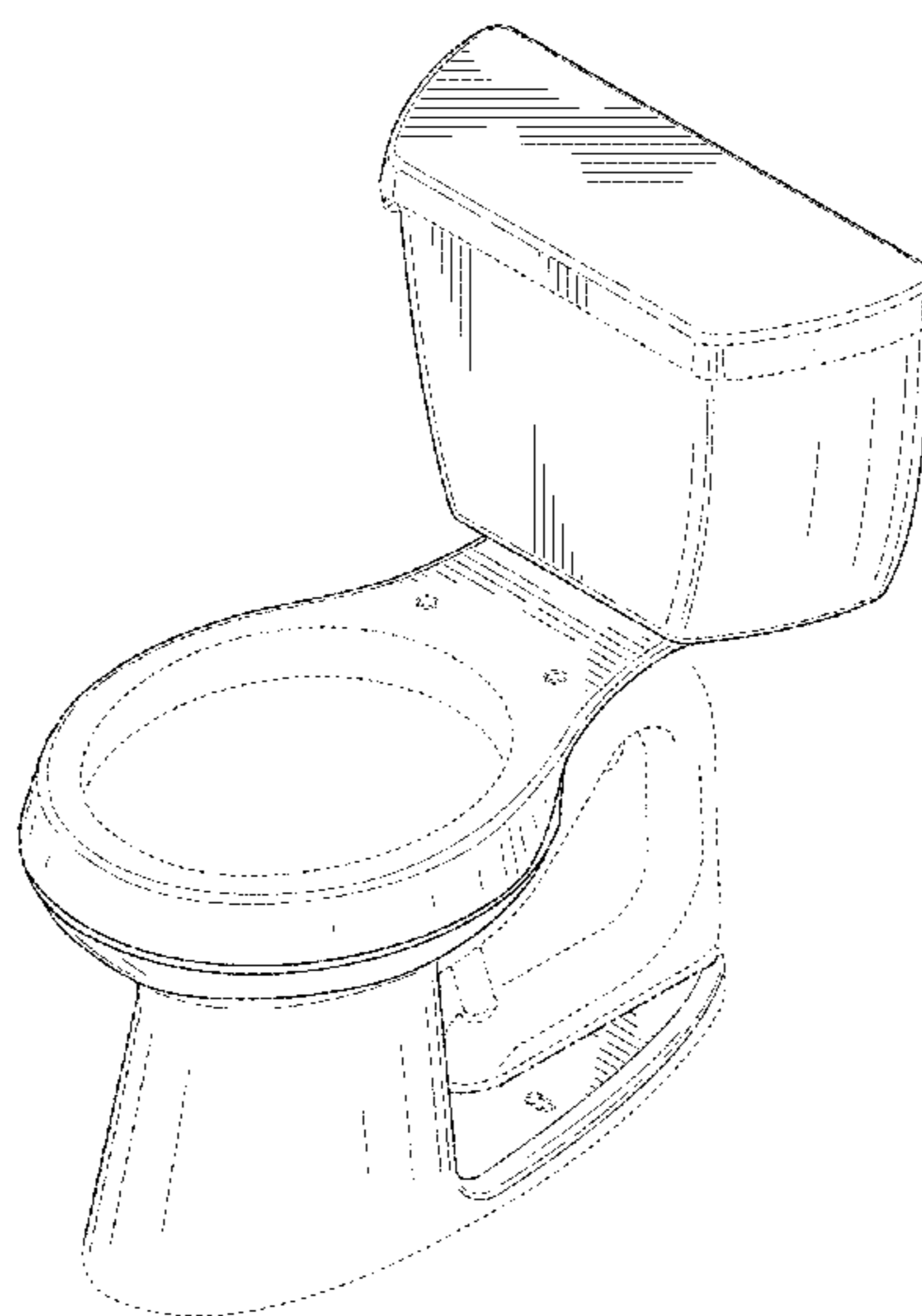
FIG. 5 is a rear view of the embodiment of FIG. 1;

FIG. 6 is a side view of the embodiment of FIG. 1; and,

FIG. 7 is another side view of the claimed design of FIG. 1.

The ornamental design which is claimed is shown in solid lines in the drawings. The broken lines in the drawings form no part of the claimed design. Broken lines formed by equal length dashes show unclaimed subject matter. Broken lines formed of unequal length dashes (i.e., dash-dot) define bounds of the claimed design.

1 Claim, 7 Drawing Sheets



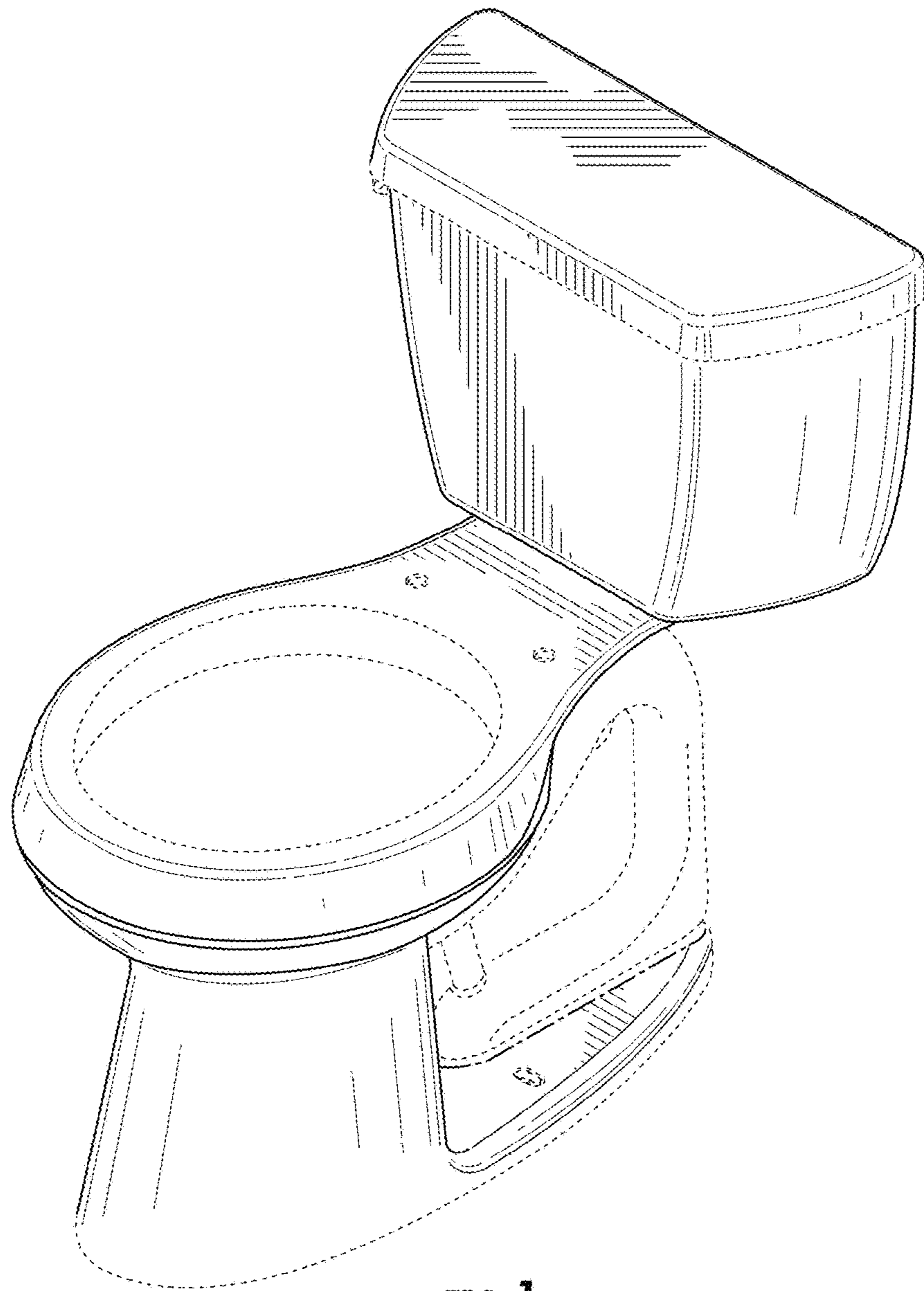


FIG. 1

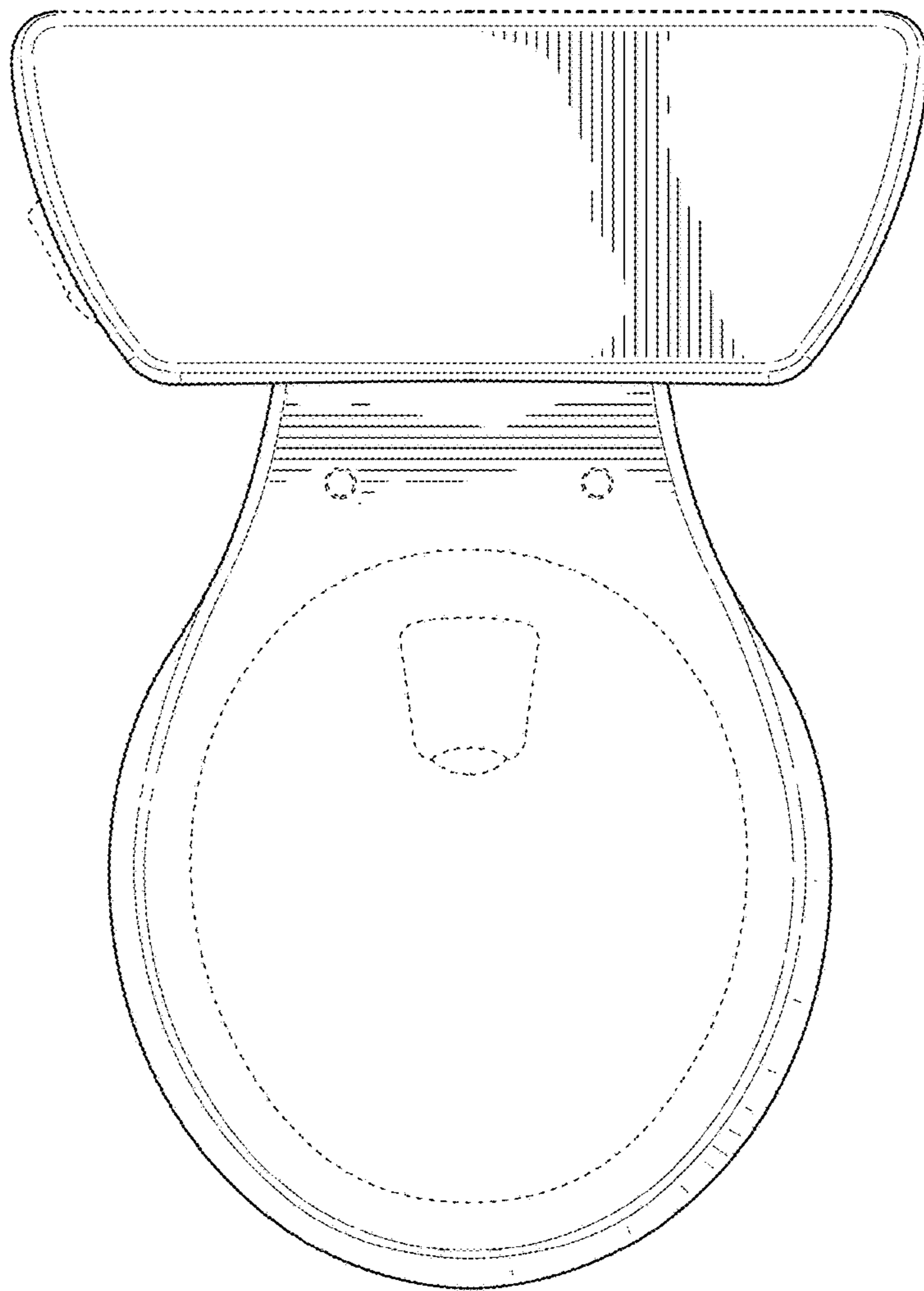


FIG. 2

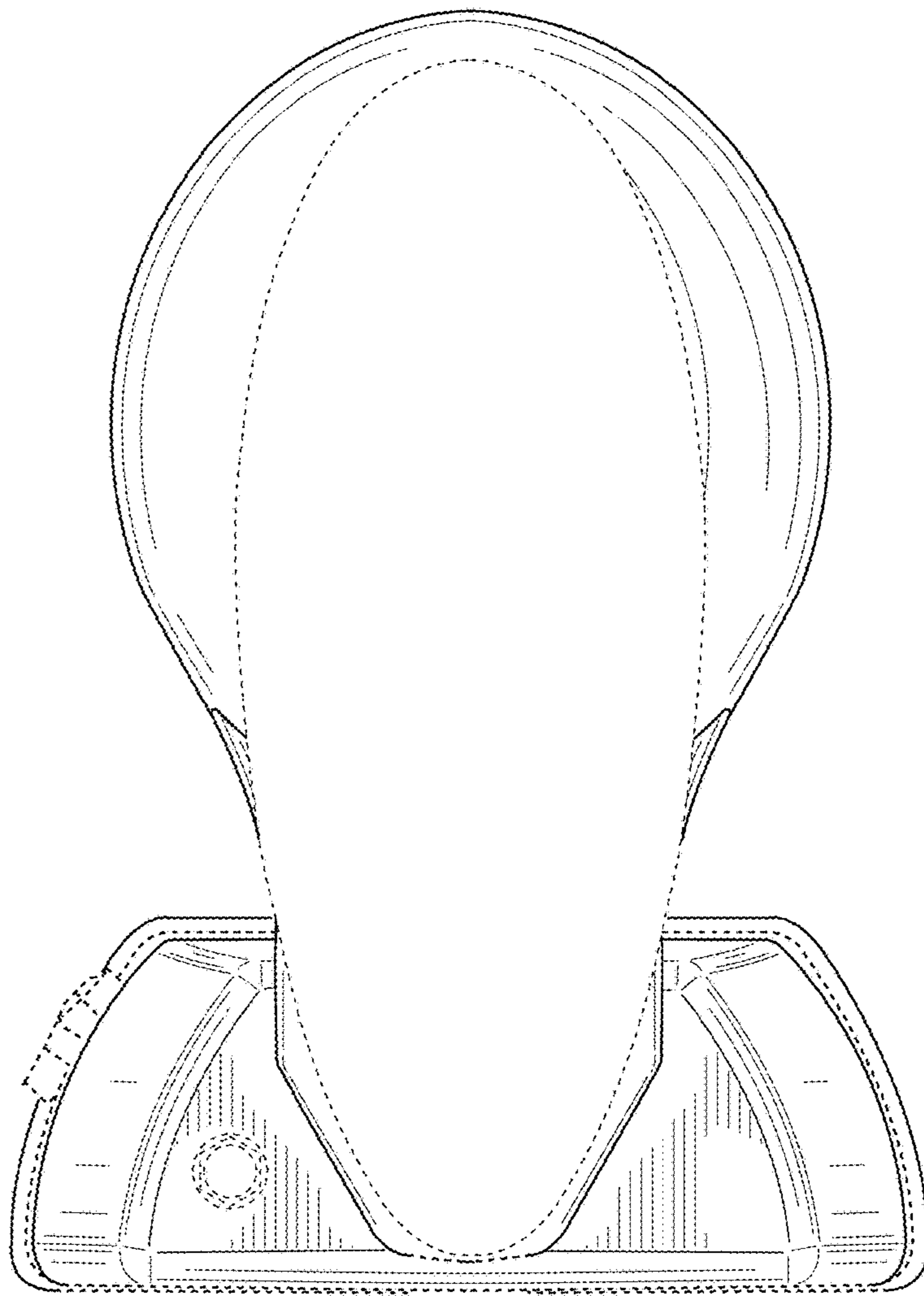


FIG. 3

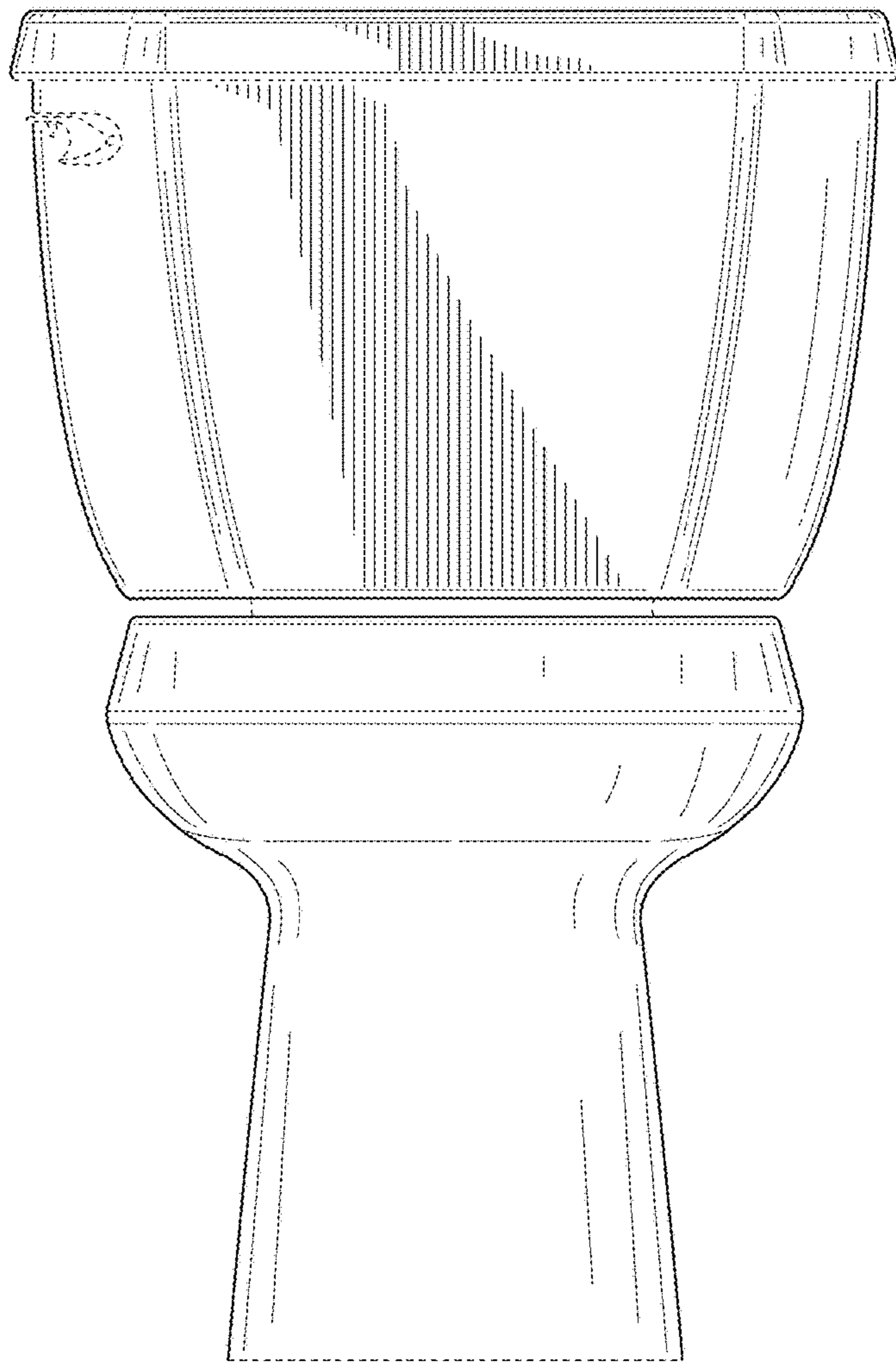


FIG. 4

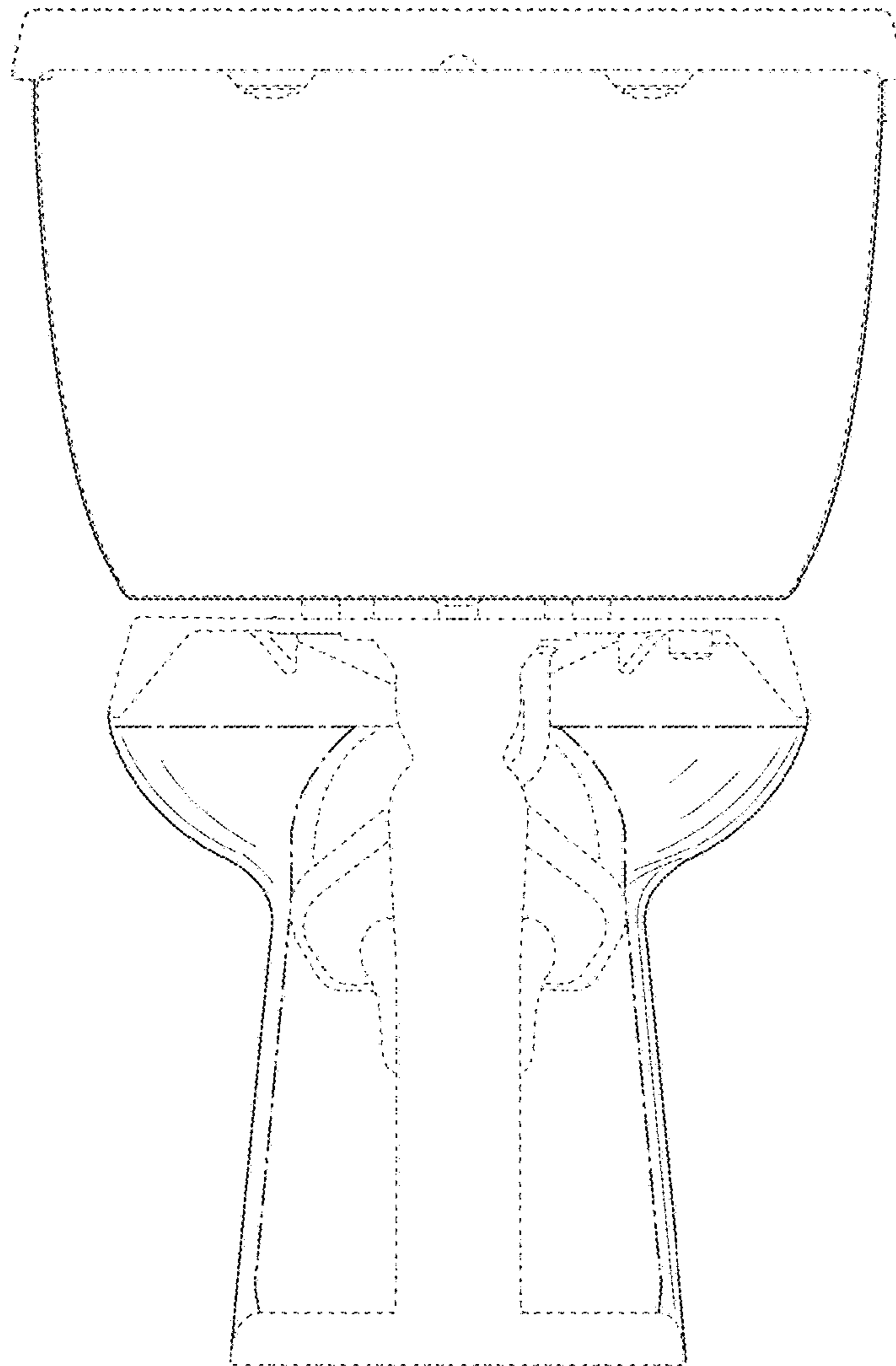


FIG. 5

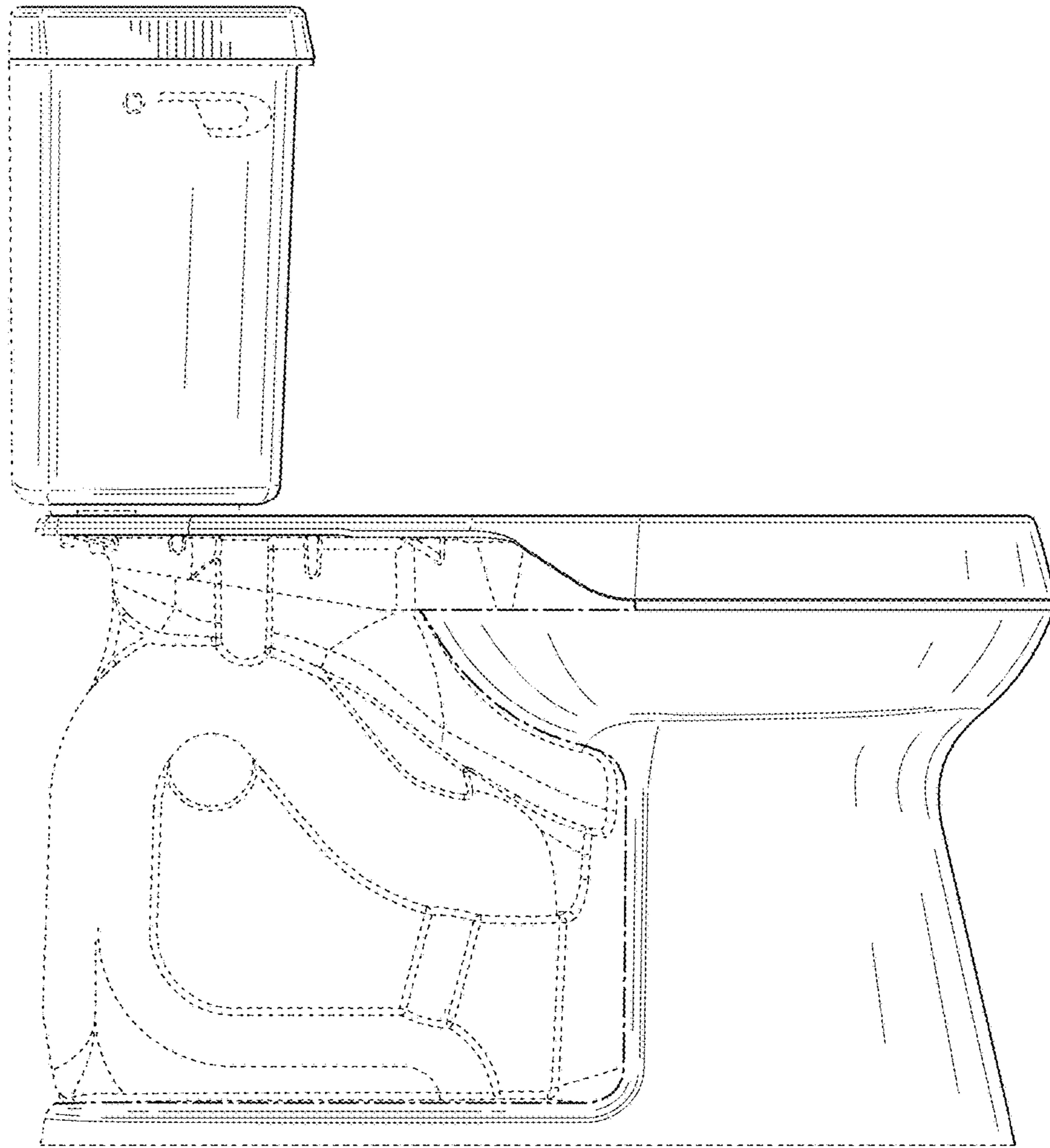


FIG. 6

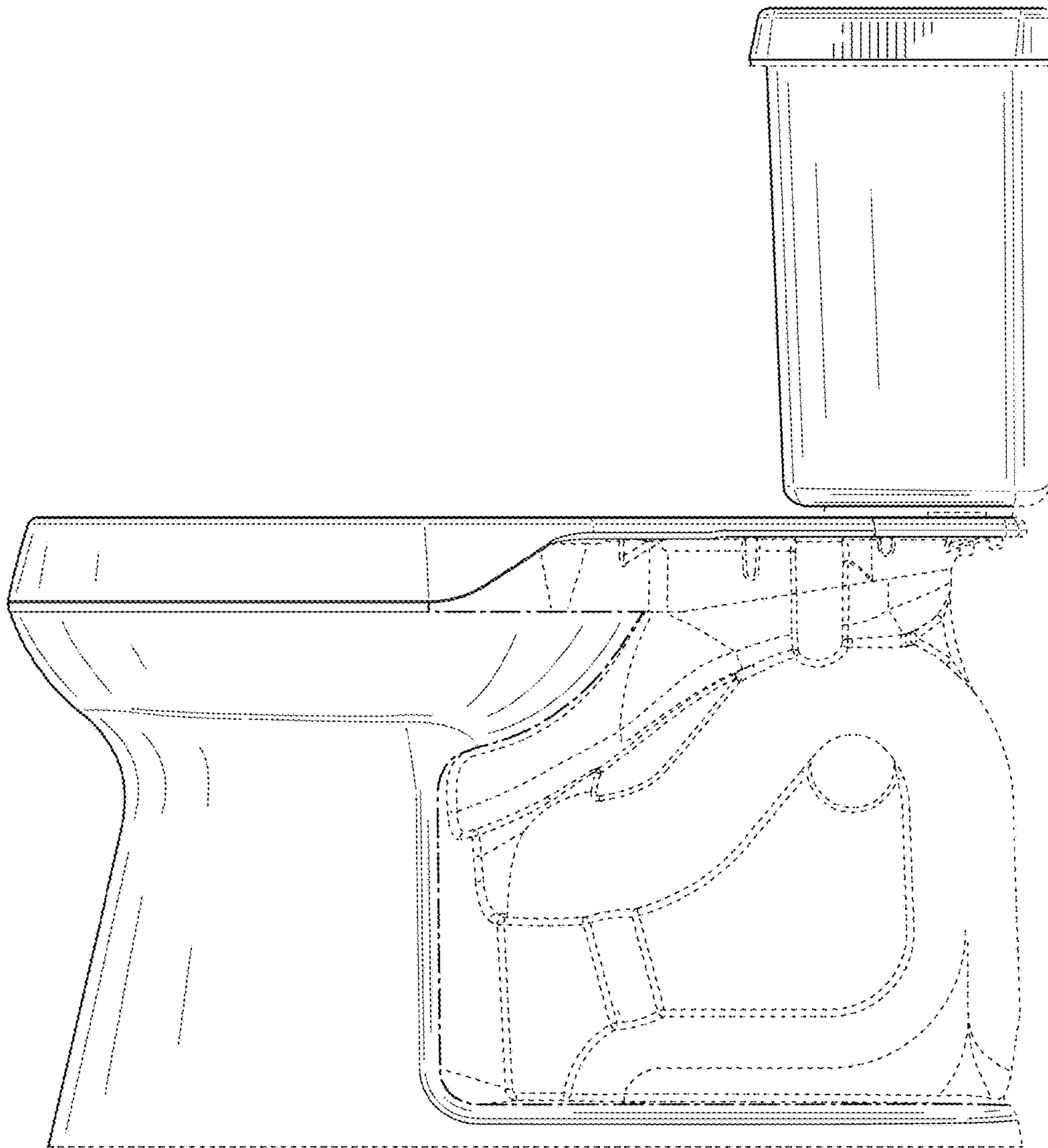


FIG. 7