



US00D829870S

(12) **United States Design Patent** (10) **Patent No.:** **US D829,870 S**
Cummings et al. (45) **Date of Patent:** **** Oct. 2, 2018**

(54) **TOILET PAN**

(71) Applicant: **Caroma Industries Limited**, New South Wales (AU)

(72) Inventors: **Stephen John Cummings**, New South Wales (AU); **Vincent Kai Hong Ho**, New South Wales (AU)

(73) Assignee: **Caroma Industries Limited**, Queensland (AU)

(**) Term: **15 Years**

(21) Appl. No.: **29/588,495**

(22) Filed: **Dec. 21, 2016**

(30) **Foreign Application Priority Data**

Jul. 5, 2016 (AU) 201613541

(51) **LOC (11) Cl.** **23-02**

(52) **U.S. Cl.**
USPC **D23/295**

(58) **Field of Classification Search**
USPC D23/295-303, 307, 309, 310, 313
CPC E03D 11/08; E03D 11/18; E03D 5/10;
E03D 13/00; A47K 11/00; A47K 13/00;
Y10S 4/05
See application file for complete search history.

(56) **References Cited**

U.S. PATENT DOCUMENTS

D465,562 S * 11/2002 Moore D23/295
D586,893 S * 2/2009 Cummings D23/295
D606,178 S * 12/2009 Cummings D23/295
D639,401 S * 6/2011 Starck D23/295
D653,315 S * 1/2012 Yoshioka D23/301
D658,277 S * 4/2012 Iranyi D23/295

D663,391 S * 7/2012 Iranyi D23/295
D701,949 S * 4/2014 Bates D23/295
D760,366 S * 6/2016 Cummings D23/300
D765,228 S * 8/2016 Cummings D23/300
2006/0112478 A1* 6/2006 Kolar E03D 5/01
4/300

OTHER PUBLICATIONS

Caroma Invisi Series II Somerton Toilet found online [Aug. 22, 2017]—http://www.caromausa.com/products/index/cu_products/98.php.*

* cited by examiner

Primary Examiner — Brandon M Rosati

Assistant Examiner — John A Voytek

(74) *Attorney, Agent, or Firm* — Wood, Phillips, Katz, Clark & Mortimer

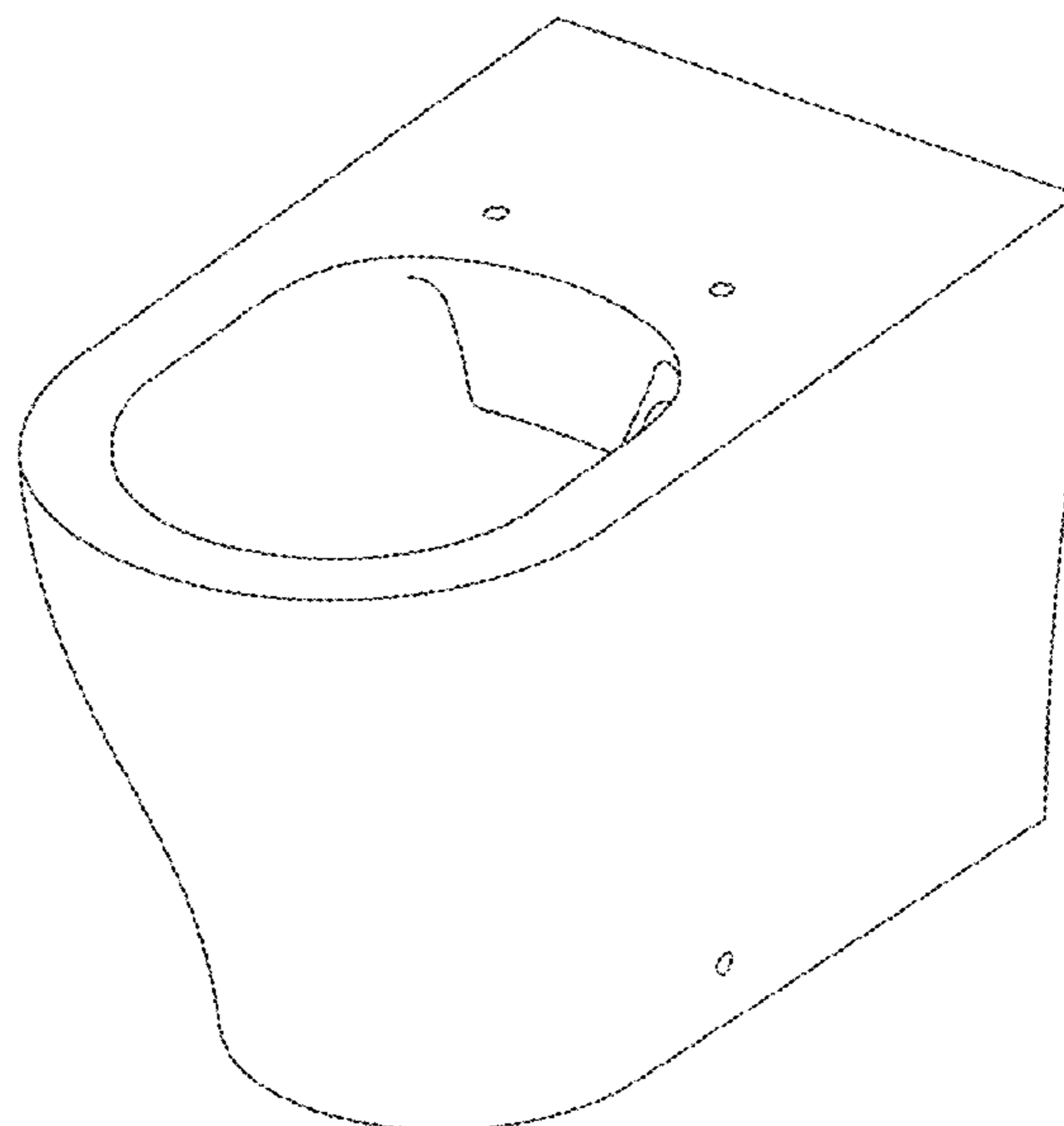
(57) **CLAIM**

The ornamental design for a toilet pan, as shown and described.

DESCRIPTION

FIG. 1 is a perspective view taken from the top front and right side showing the toilet pan;
FIG. 2 is a top plan view of the toilet pan;
FIG. 3 is a rear elevation view of the toilet pan;
FIG. 4 is a left view of the toilet pan;
FIG. 5 is a front view of the toilet pan;
FIG. 6 is a right view of the toilet pan; and,
FIG. 7 is a bottom view of the toilet pan.
The broken-line symbols on the surface in FIGS. 1 and 2 show portions of the article that form no part of the claim.

1 Claim, 7 Drawing Sheets



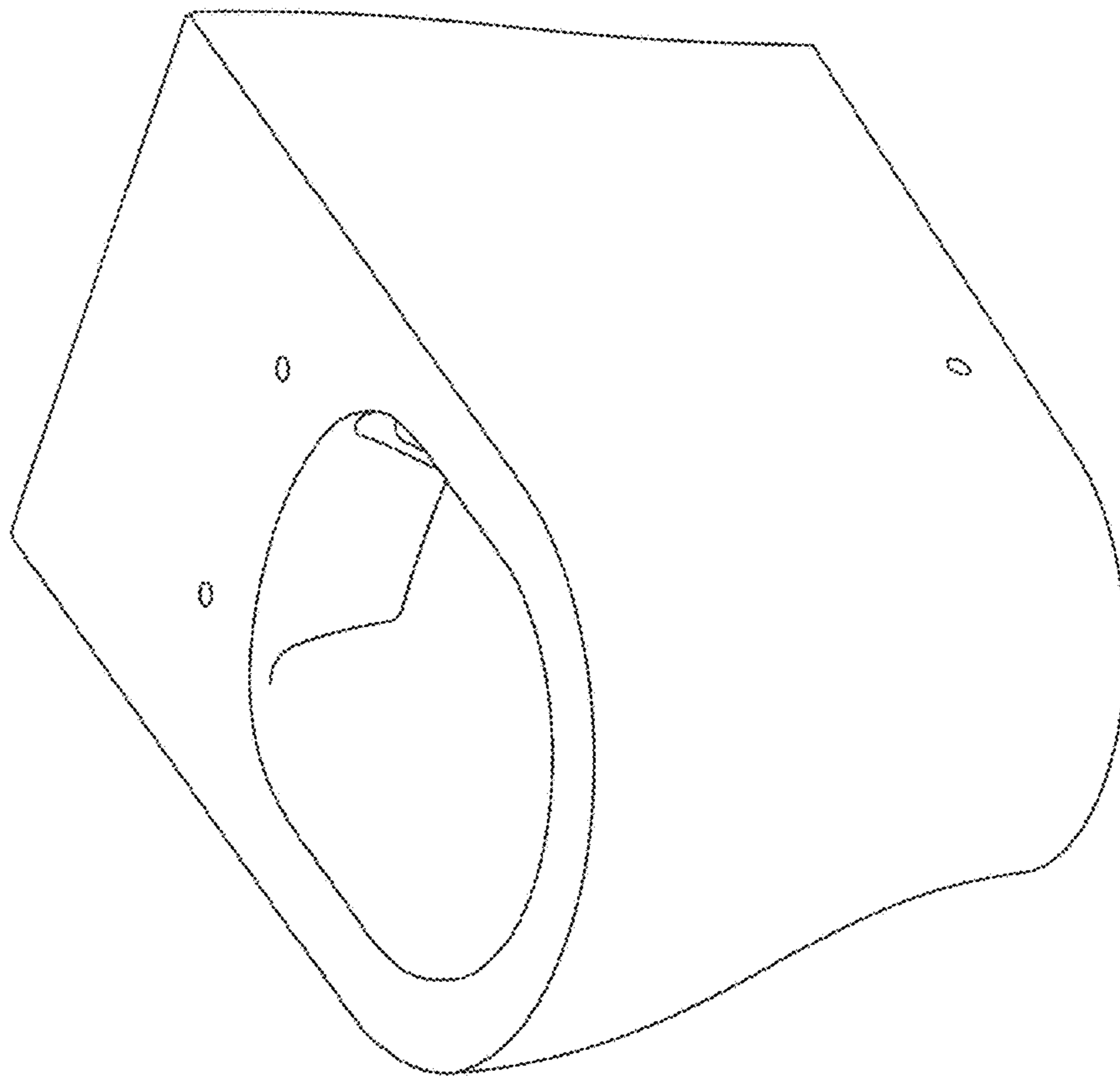


FIG. 1

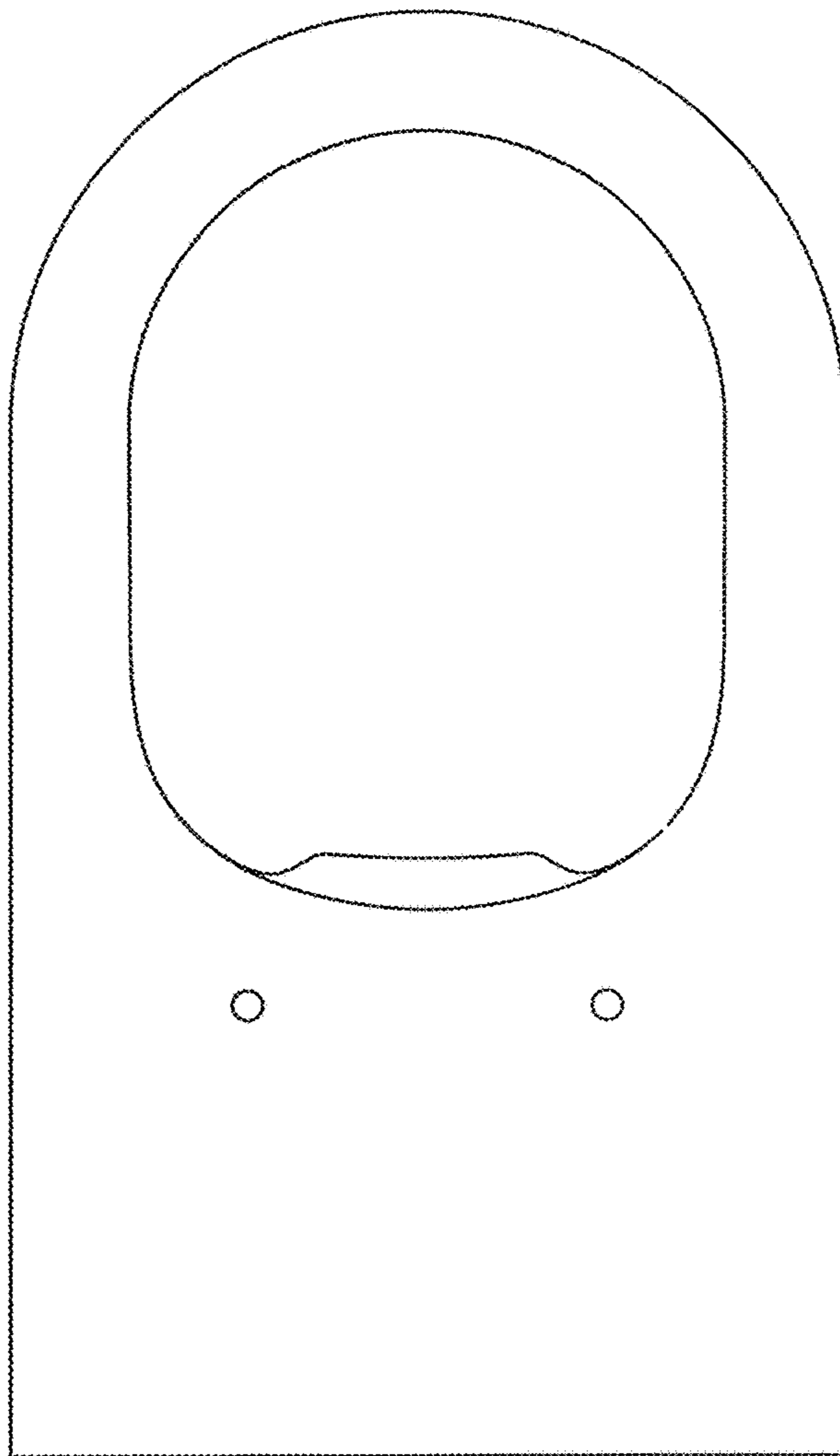


FIG. 2

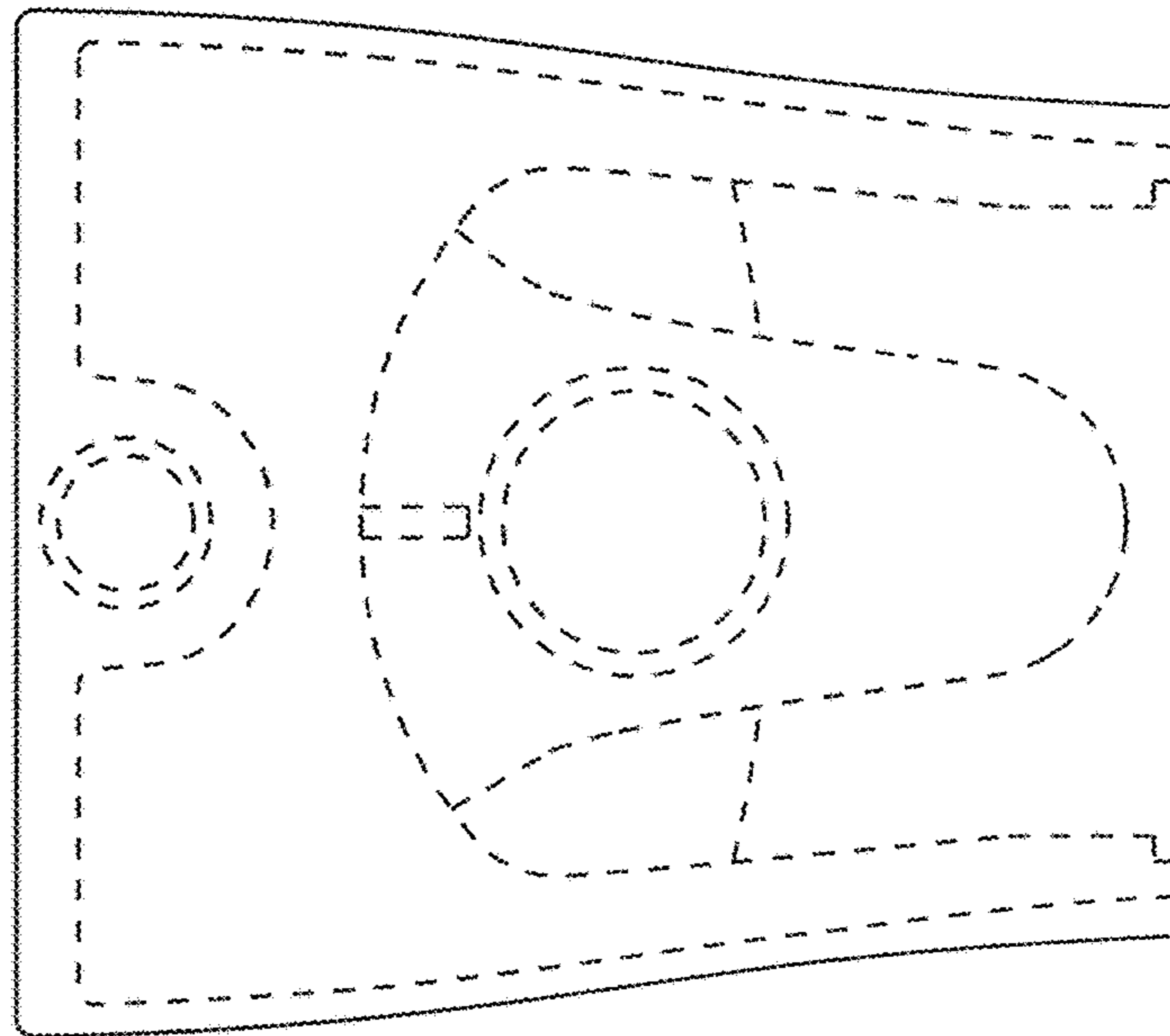


FIG. 3

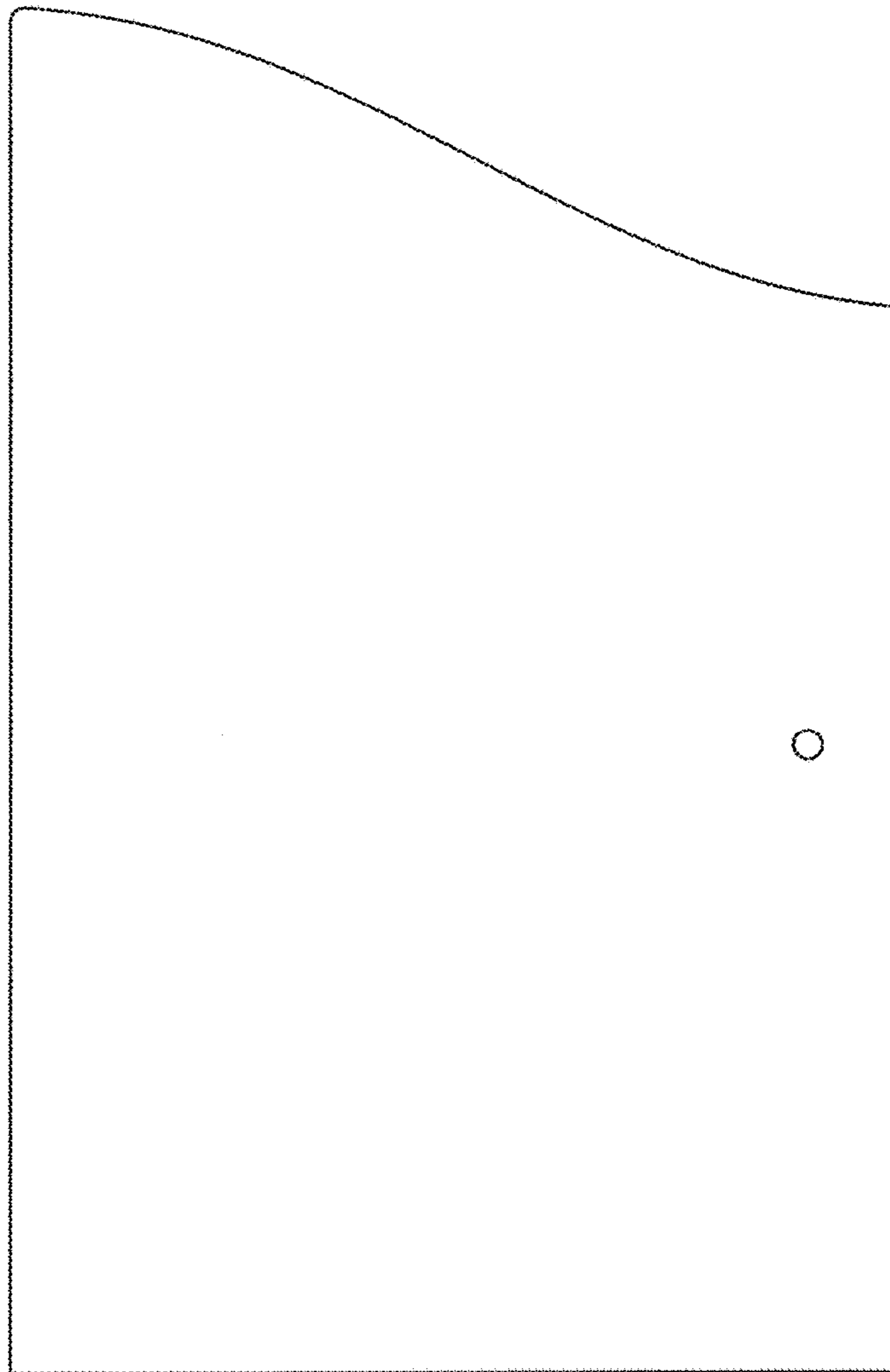


FIG. 4

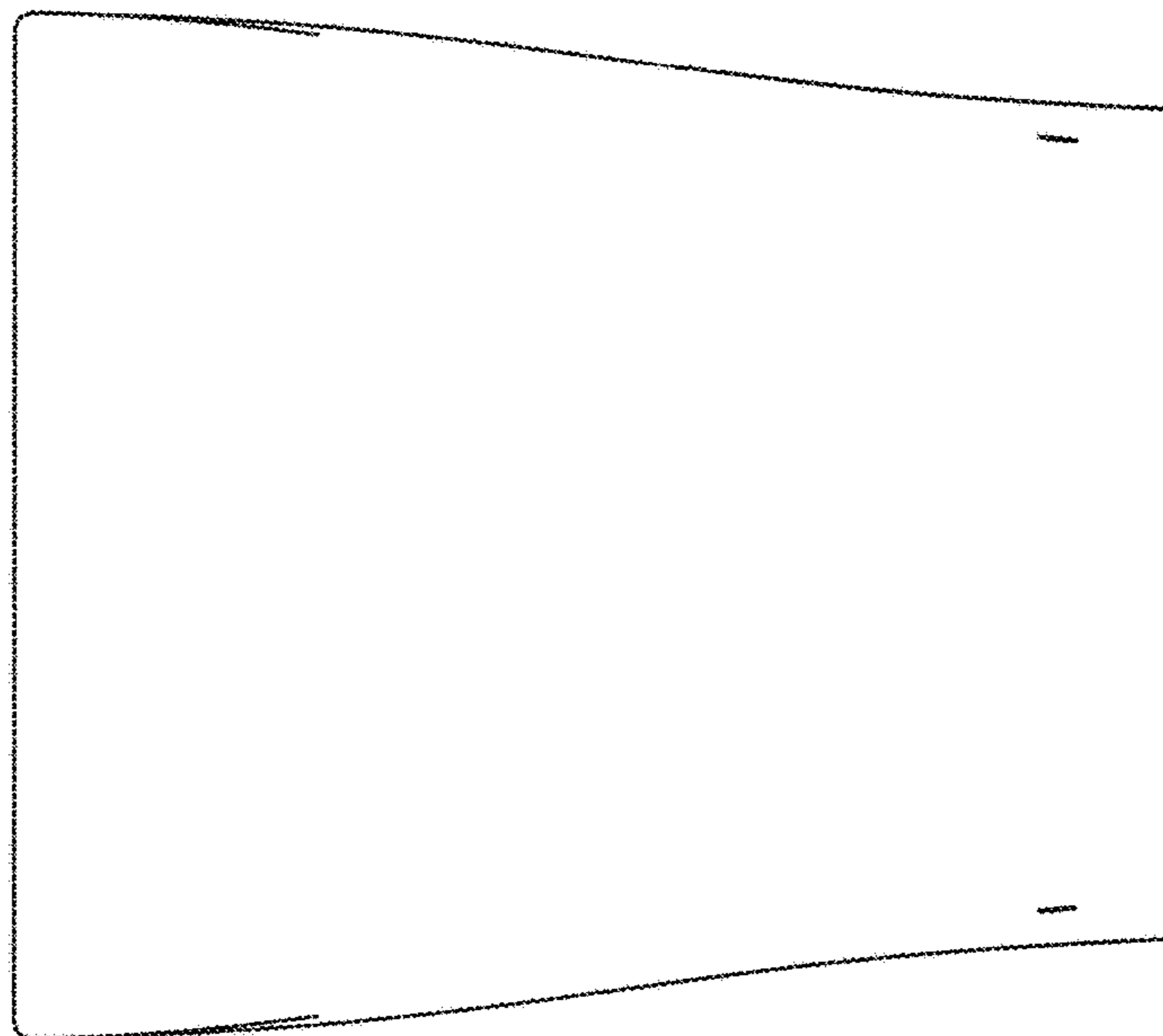


FIG. 5

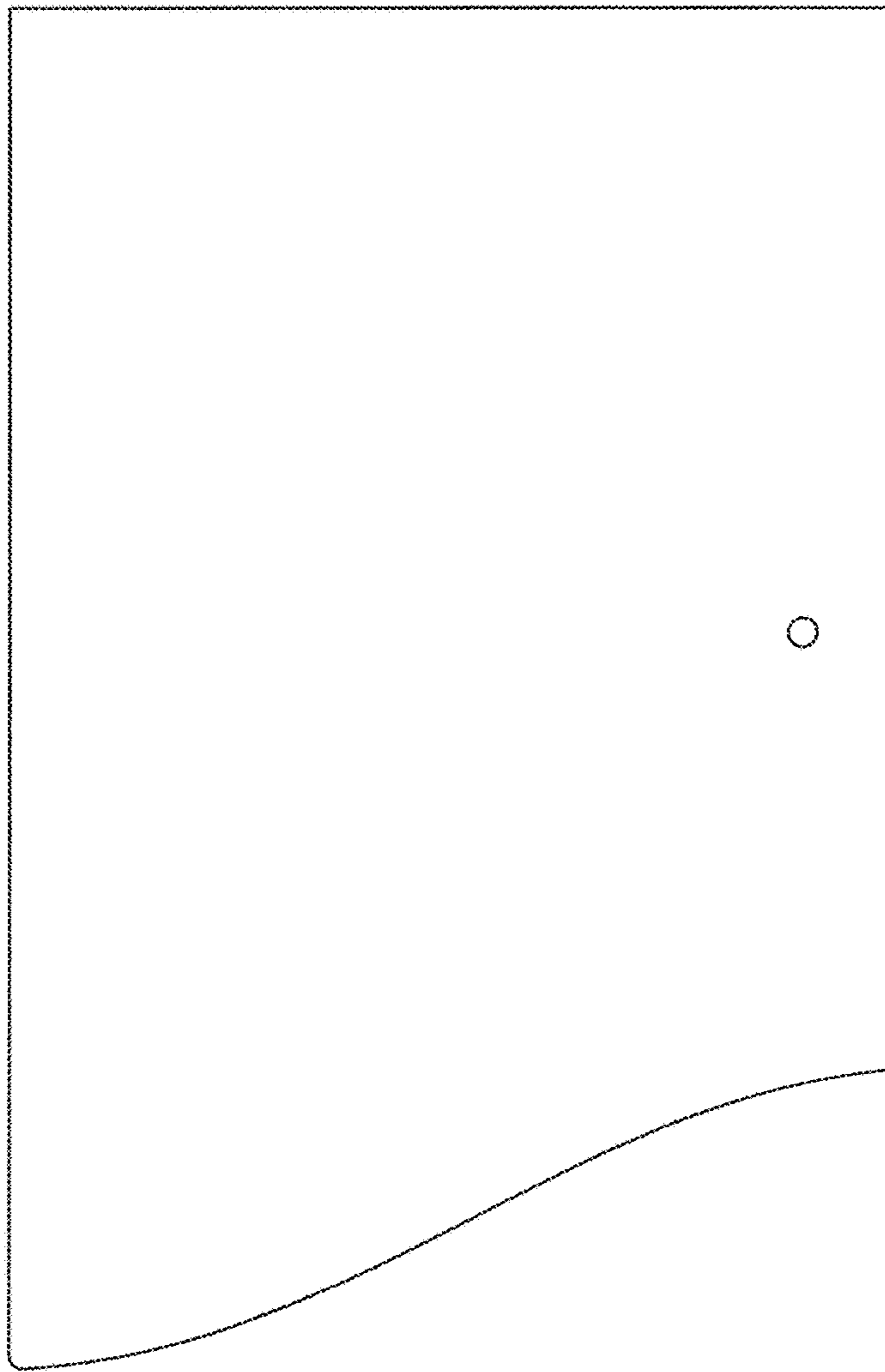


FIG. 6

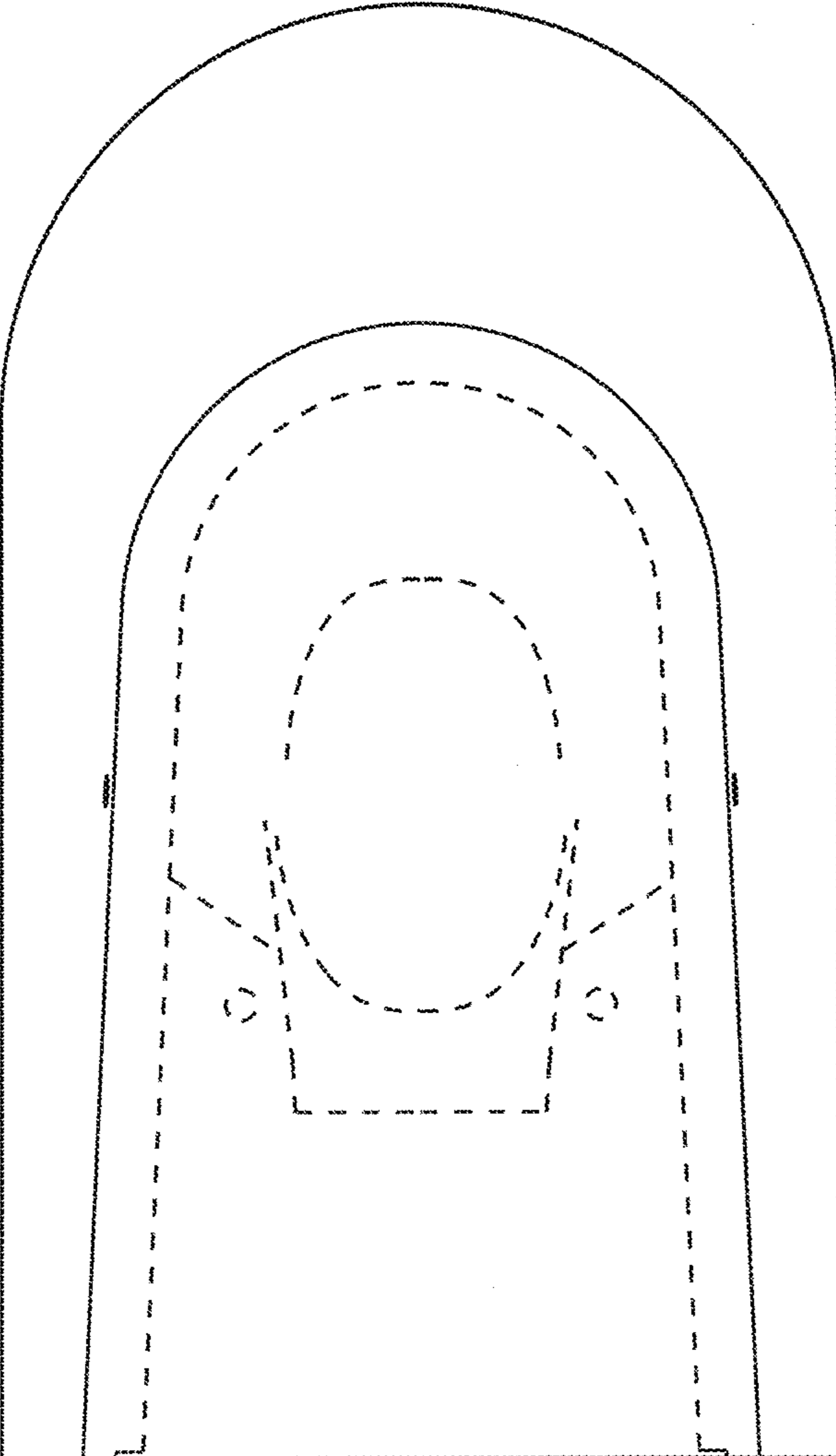


FIG. 7