



US00D829867S

(12) **United States Design Patent**
McKeone et al.

(10) **Patent No.:** **US D829,867 S**

(45) **Date of Patent:** **** Oct. 2, 2018**

(54) **FAUCET**

(71) Applicant: **Kohler Co.**, Kohler, WI (US)

(72) Inventors: **William C. McKeone**, Sheboygan, WI (US); **Jill E. Hundley**, Sheboygan, WI (US)

(73) Assignee: **KOHLER CO.**, Kohler, WI (US)

(**) Term: **15 Years**

(21) Appl. No.: **29/577,787**

(22) Filed: **Sep. 15, 2016**

(51) **LOC (11) Cl.** **23-01**

(52) **U.S. Cl.**
USPC **D23/255**

(58) **Field of Classification Search**
USPC D23/238–242, 249, 254, 255, 257, 253;
D8/350, 353
CPC Y10T 137/9464
See application file for complete search history.

(56) **References Cited**

U.S. PATENT DOCUMENTS

D117,171 S	*	10/1939	Fraser	D23/257
D324,726 S		3/1992	Bonnell		
D325,425 S		4/1992	Bengtson		
D340,763 S		10/1993	Bonnell		
D458,346 S	*	6/2002	Mullenmeister	D23/250
D466,988 S	*	12/2002	Marshall	D23/252
D482,758 S	*	11/2003	Bates	D23/252
D492,009 S	*	6/2004	Egee	D23/238

D524,918 S		7/2006	Barry		
D530,790 S		10/2006	Kohler, Jr. et al.		
D534,251 S	*	12/2006	Barry	D23/255
D588,235 S		3/2009	Rexach		
D618,311 S	*	6/2010	Gao	D23/255
D681,174 S	*	4/2013	Liao	D23/257
D712,521 S	*	9/2014	Smith	D23/257
D810,886 S	*	2/2018	Schoenherr	D23/253

* cited by examiner

Primary Examiner — Robert A Delehanty

(74) *Attorney, Agent, or Firm* — Foley & Lardner LLP

(57) **CLAIM**

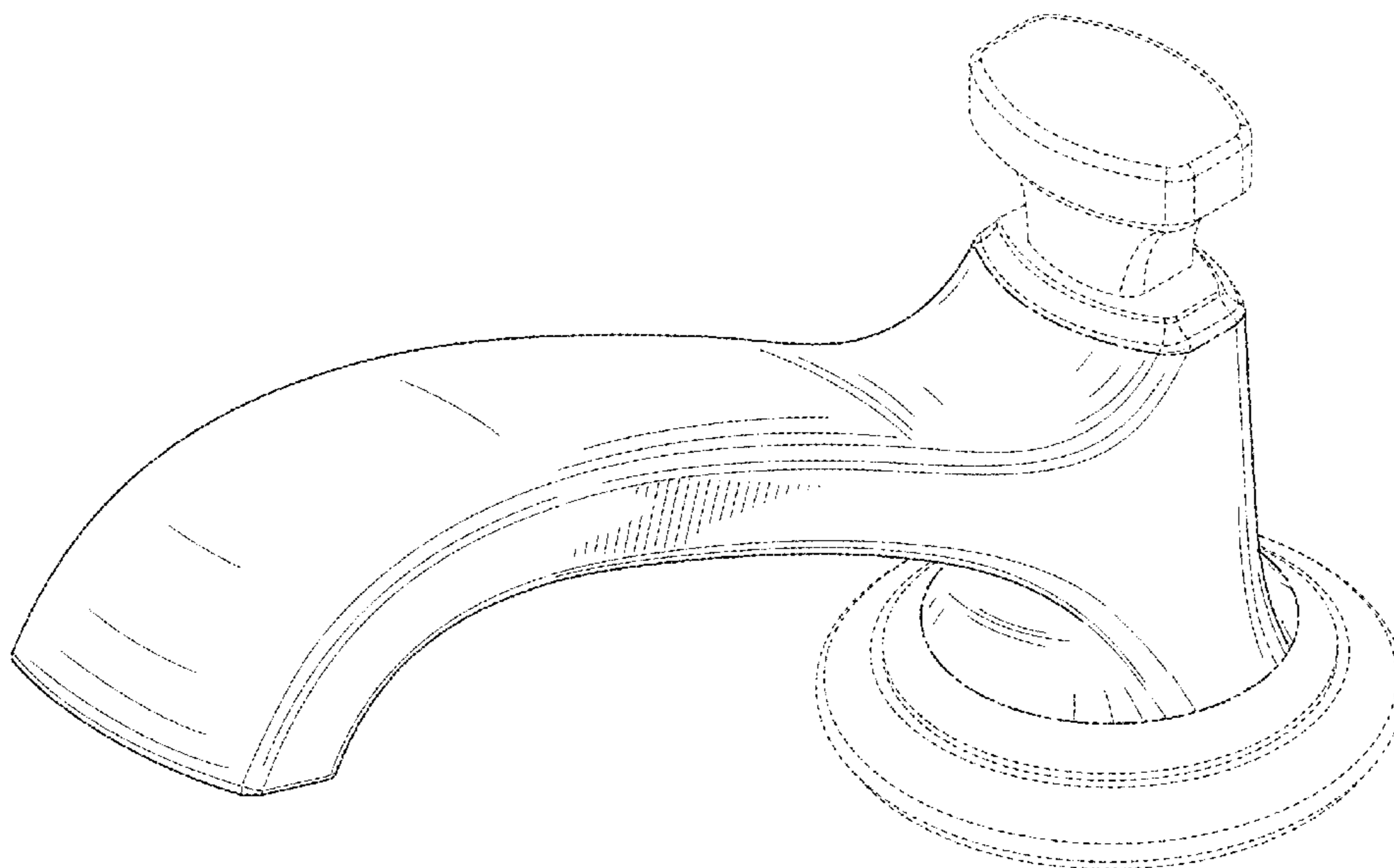
We claim the ornamental design for a faucet, as shown and described.

DESCRIPTION

FIG. 1 is a perspective view of another embodiment of the claimed design;
FIG. 2 is a front view of the embodiment of FIG. 1;
FIG. 3 is a rear view of the embodiment of FIG. 1;
FIG. 4 is a side view of the embodiment of FIG. 1;
FIG. 5 is another side view of the embodiment of FIG. 1;
FIG. 6 is a top view of the embodiment of FIG. 1; and,
FIG. 7 is a bottom view of the embodiment of FIG. 1.

The ornamental design which is claimed is shown in solid lines in the drawings. The broken lines in the drawings form no part of the claimed design. Broken lines formed by equal length dashes show unclaimed subject matter. Broken lines formed of unequal length dashes (i.e., dash-dot) define bounds of the claimed design.

1 Claim, 6 Drawing Sheets



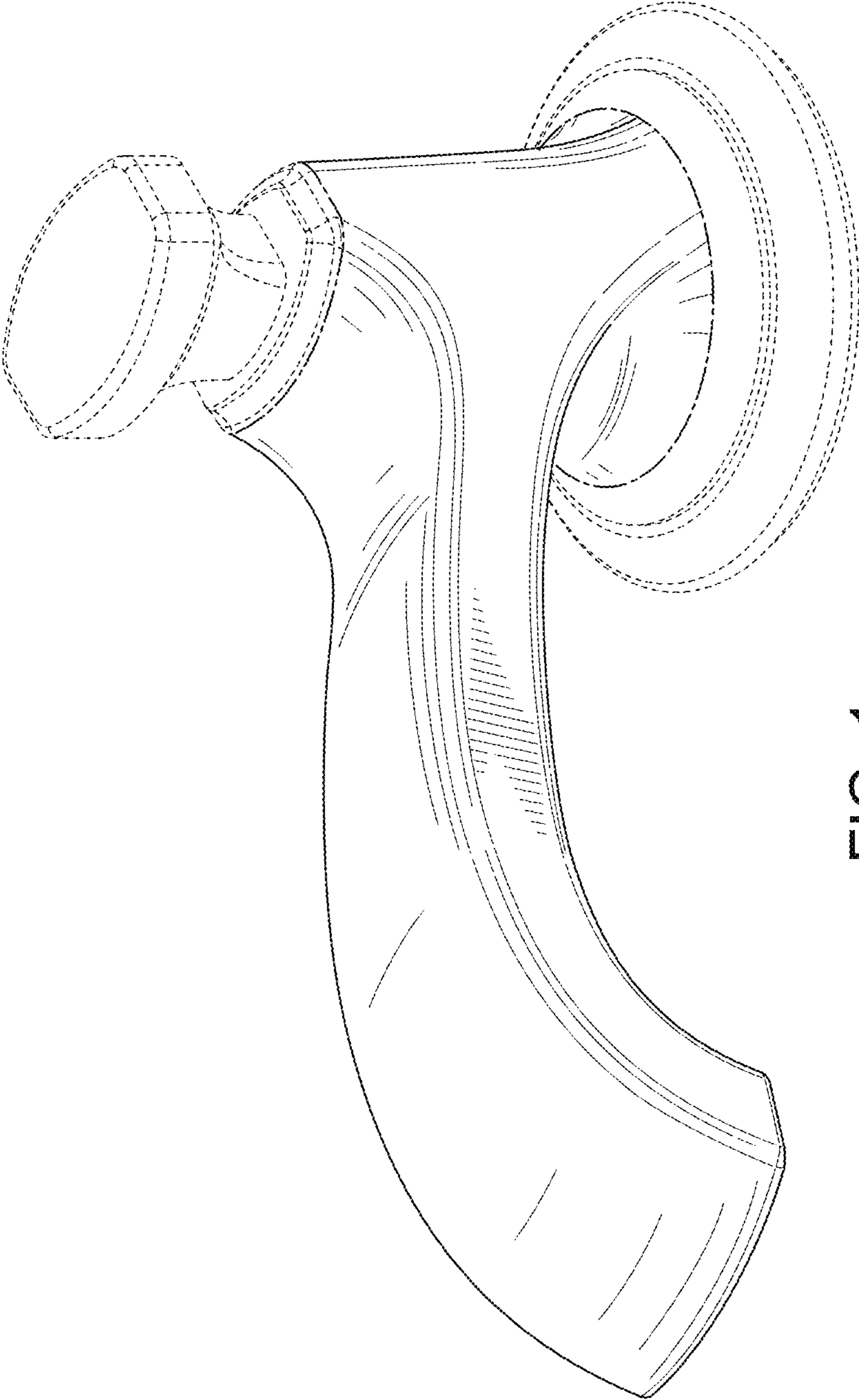


FIG. 1

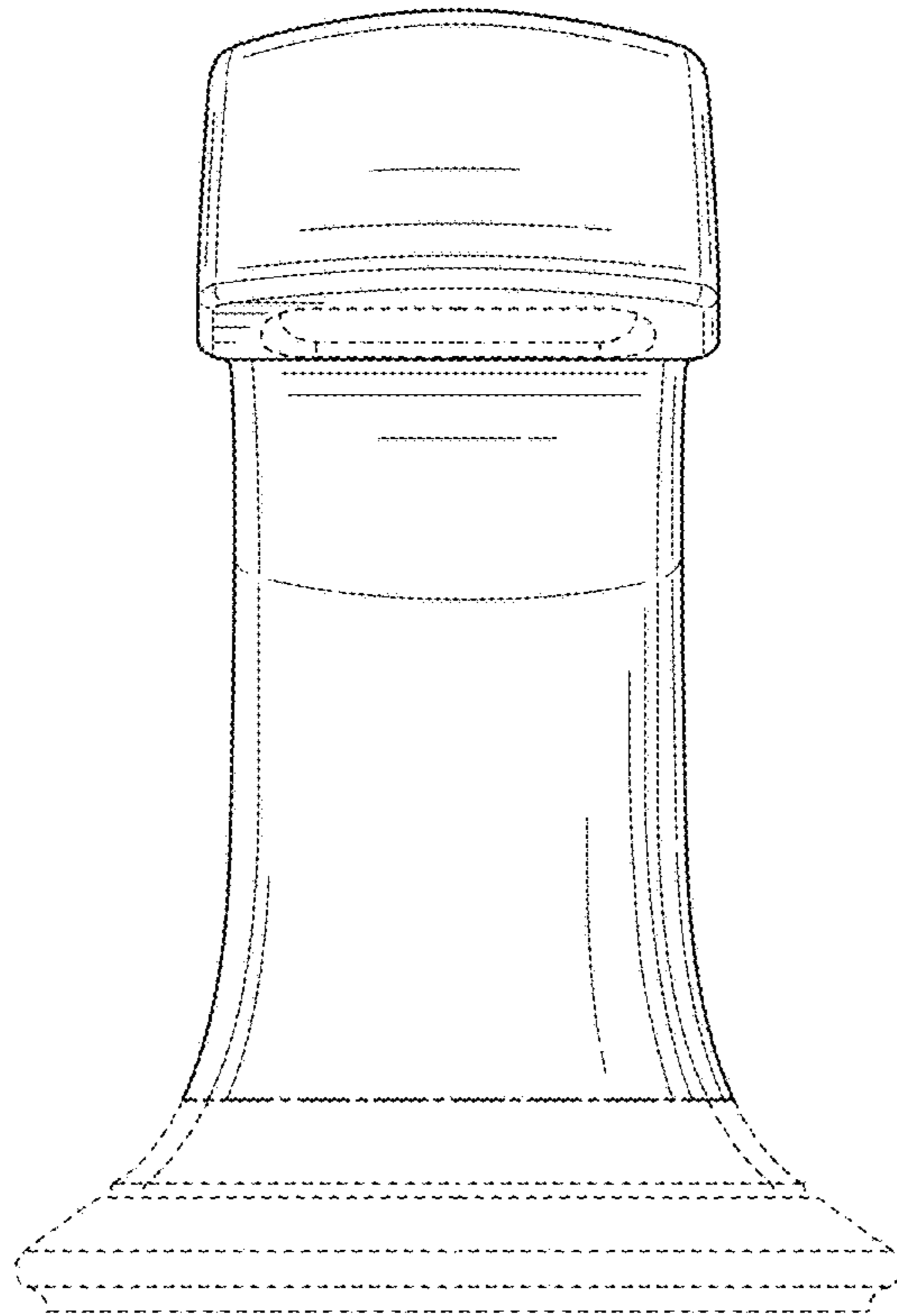


FIG. 2

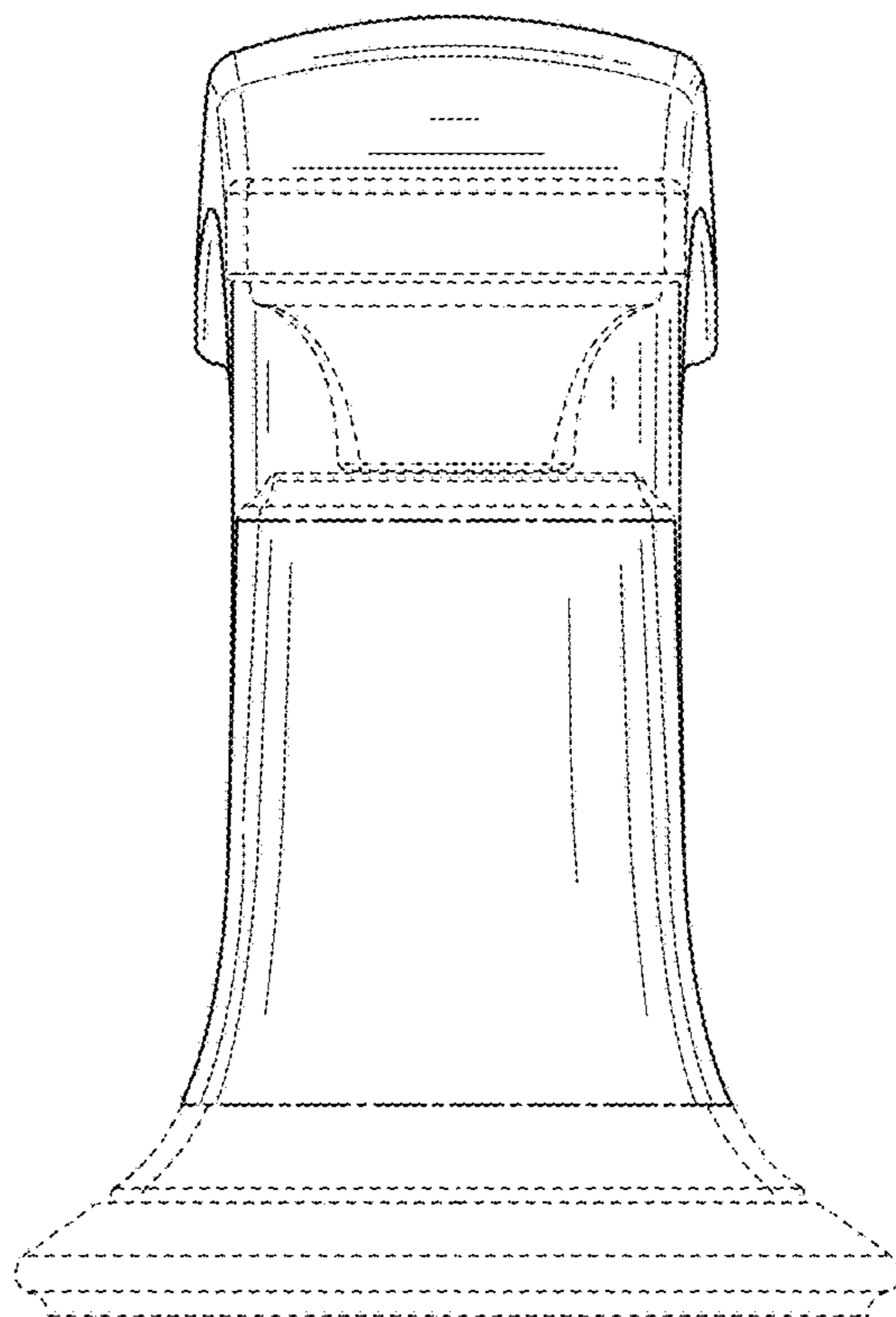


FIG. 3

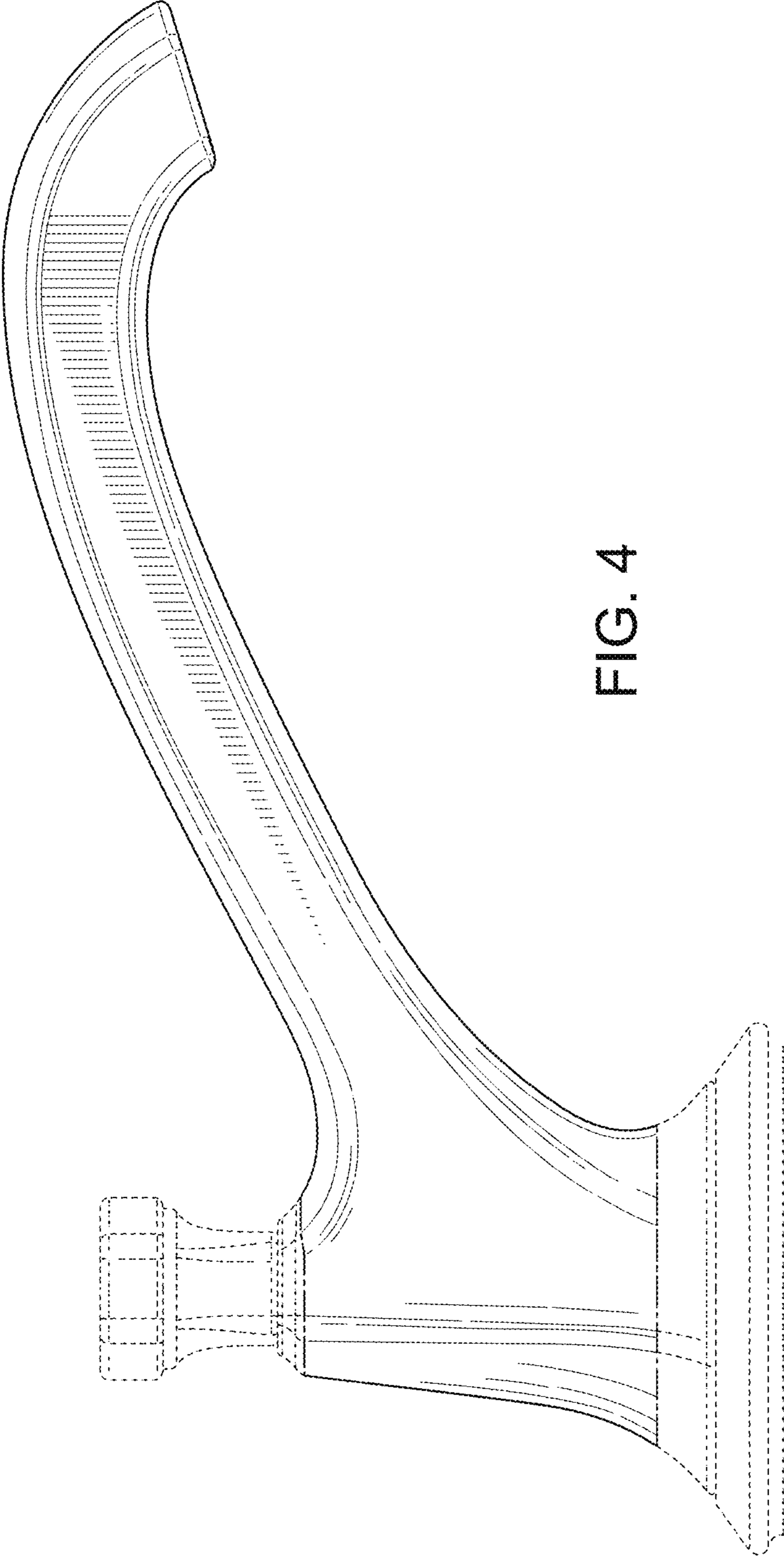


FIG. 4

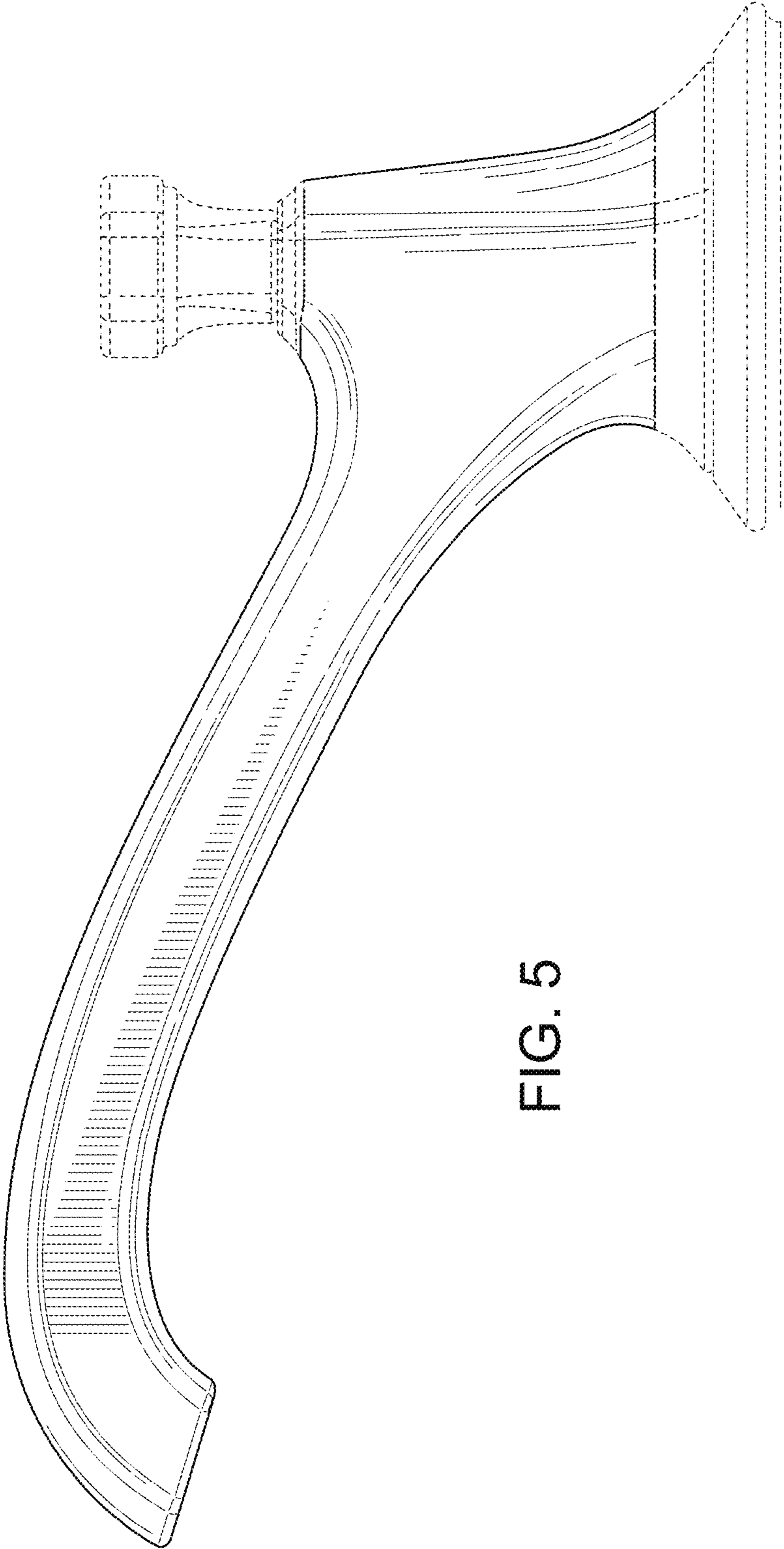


FIG. 5

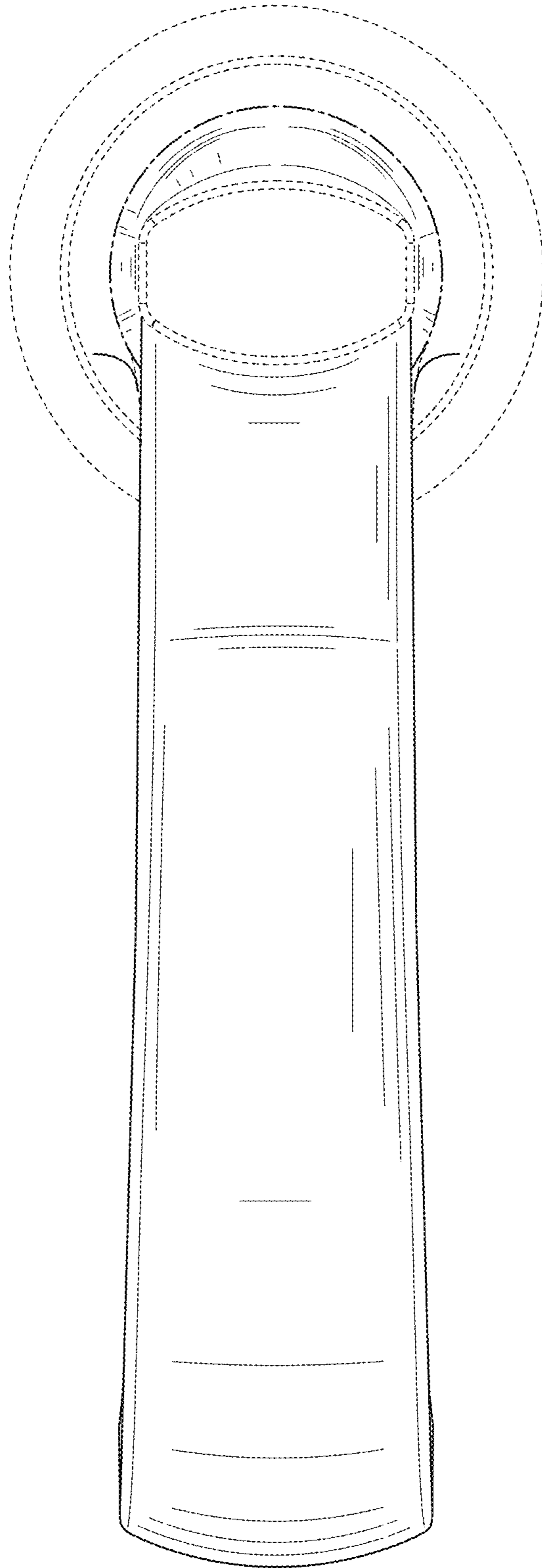


FIG. 6

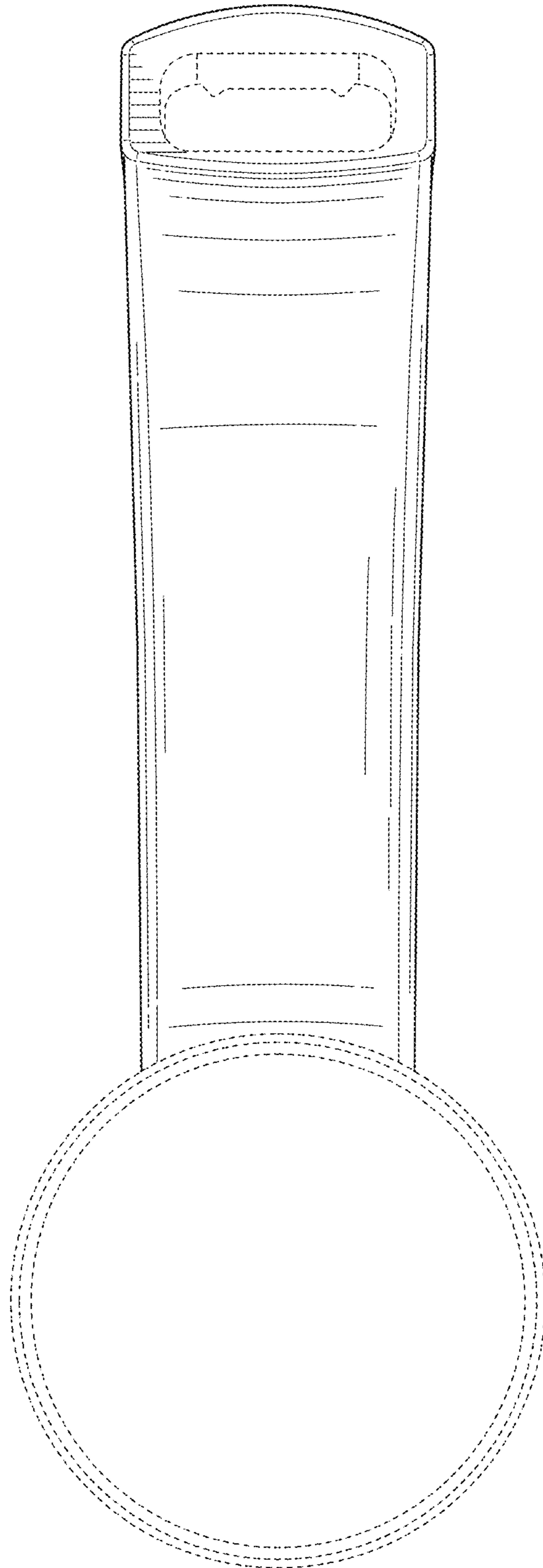


FIG. 7