



US00D829866S

(12) **United States Design Patent** (10) **Patent No.:** **US D829,866 S**  
**Kirar et al.** (45) **Date of Patent:** **\*\* Oct. 2, 2018**

- (54) **HANDLE**
- (71) Applicant: **Kohler Co.**, Kohler, WI (US)
- (72) Inventors: **Laura K. Kirar**, Miami Beach, FL (US); **William C. McKeone**, Sheboygan, WI (US)
- (73) Assignee: **KOHLER CO.**, Kohler, WI (US)
- (\*\*) Term: **15 Years**
- (21) Appl. No.: **29/645,871**
- (22) Filed: **Apr. 30, 2018**

- D522,102 S 5/2006 Fritz
- D524,140 S 7/2006 Kirar
- D527,611 S 9/2006 Sato
- D527,980 S 9/2006 Sato
- D531,267 S 10/2006 Hundley
- D532,866 S 11/2006 Kirar
- D533,924 S 12/2006 Kirar
- D545,663 S 7/2007 Sato
- D564,634 S 3/2008 Kirar
- D570,453 S 6/2008 Tsai
- D579,525 S 10/2008 Zhang
- D580,523 S 11/2008 Hanna
- D581,025 S 11/2008 Schonherr
- D585,525 S 1/2009 Ko
- D619,872 S 7/2010 Singtoroj
- D627,441 S 11/2010 Sedwick
- D634,815 S 3/2011 Barry
- D664,630 S 7/2012 Fritz
- D666,277 S 8/2012 Schaefer
- 8,235,431 B2 8/2012 Williamson
- D684,669 S 6/2013 Eilmus

**Related U.S. Application Data**

- (62) Division of application No. 29/604,244, filed on May 16, 2017, now Pat. No. Des. 822,179, which is a division of application No. 29/540,144, filed on Sep. 21, 2015, now Pat. No. Des. 787,640.
- (51) **LOC (11) Cl.** ..... **23-01**
- (52) **U.S. Cl.**  
USPC ..... **D23/252**
- (58) **Field of Classification Search**  
USPC ..... D23/238-242, 249-252, 254; D8/300, D8/305, 307-308  
CPC ..... E03C 1/04; E03C 1/0401; E03C 1/0402; E03C 1/0404  
See application file for complete search history.

(56) **References Cited**

**U.S. PATENT DOCUMENTS**

- D270,642 S 9/1983 Watts
- D318,904 S 8/1991 Hartkopf
- D334,230 S 3/1993 Bonnell
- D364,217 S 11/1995 Dubin
- D384,401 S 9/1997 Doughty
- 5,813,708 A 9/1998 Shen
- D509,126 S 9/2005 Vilallonga Kirovac
- D513,791 S 1/2006 Kosasih

(Continued)

*Primary Examiner* — Robert A Delehanty

(74) *Attorney, Agent, or Firm* — Foley & Lardner LLP

(57) **CLAIM**

We claim the ornamental design for a handle, as shown and described.

**DESCRIPTION**

FIG. 1 is a perspective view of an embodiment of the claimed design;

FIG. 2 is a front view thereof;

FIG. 3 is a rear view thereof;

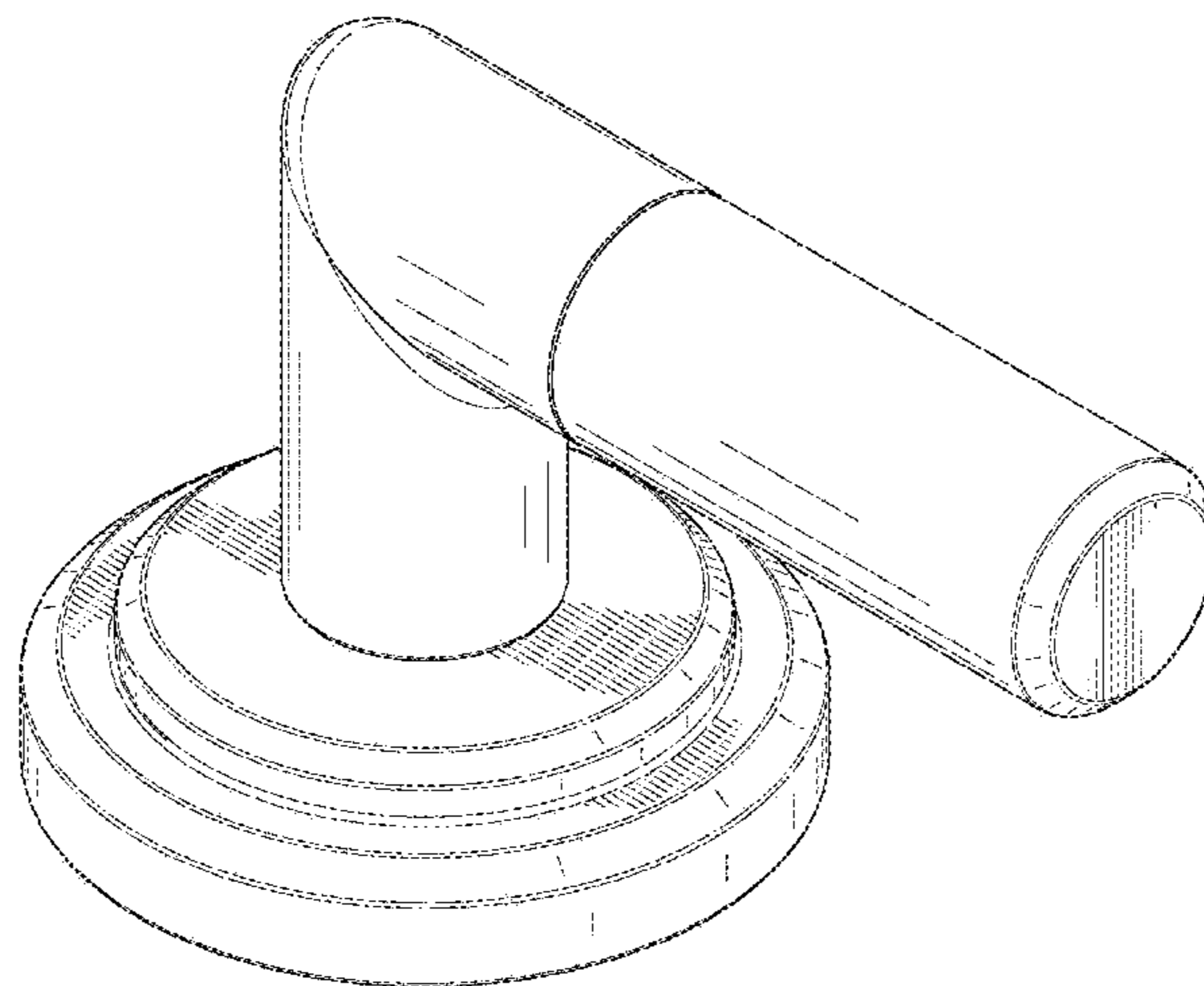
FIG. 4 is a side view thereof;

FIG. 5 is a top view thereof; and,

FIG. 6 is a bottom view thereof.

The ornamental design which is claimed is shown in solid lines in the drawings. The broken lines in the drawings form no part of the claimed design. Broken lines formed by equal length dashes show unclaimed subject matter.

**1 Claim, 6 Drawing Sheets**



(56)

**References Cited**

U.S. PATENT DOCUMENTS

D685,878 S	7/2013	Fritz
D698,220 S	1/2014	Watson
D699,970 S	2/2014	Sedwick
D714,912 S	10/2014	Barry
D737,652 S	9/2015	Harden
D738,468 S	9/2015	Bahler
D741,453 S	10/2015	Bahler
D745,359 S	12/2015	Sun
D752,163 S	3/2016	Eder
D755,604 S	5/2016	Harden
D772,684 S	11/2016	Zimmer
D785,436 S	5/2017	Carlino
D787,640 S	5/2017	Kirar
2010/0019516 A1	1/2010	Williamson
2016/0002954 A1	1/2016	Ali

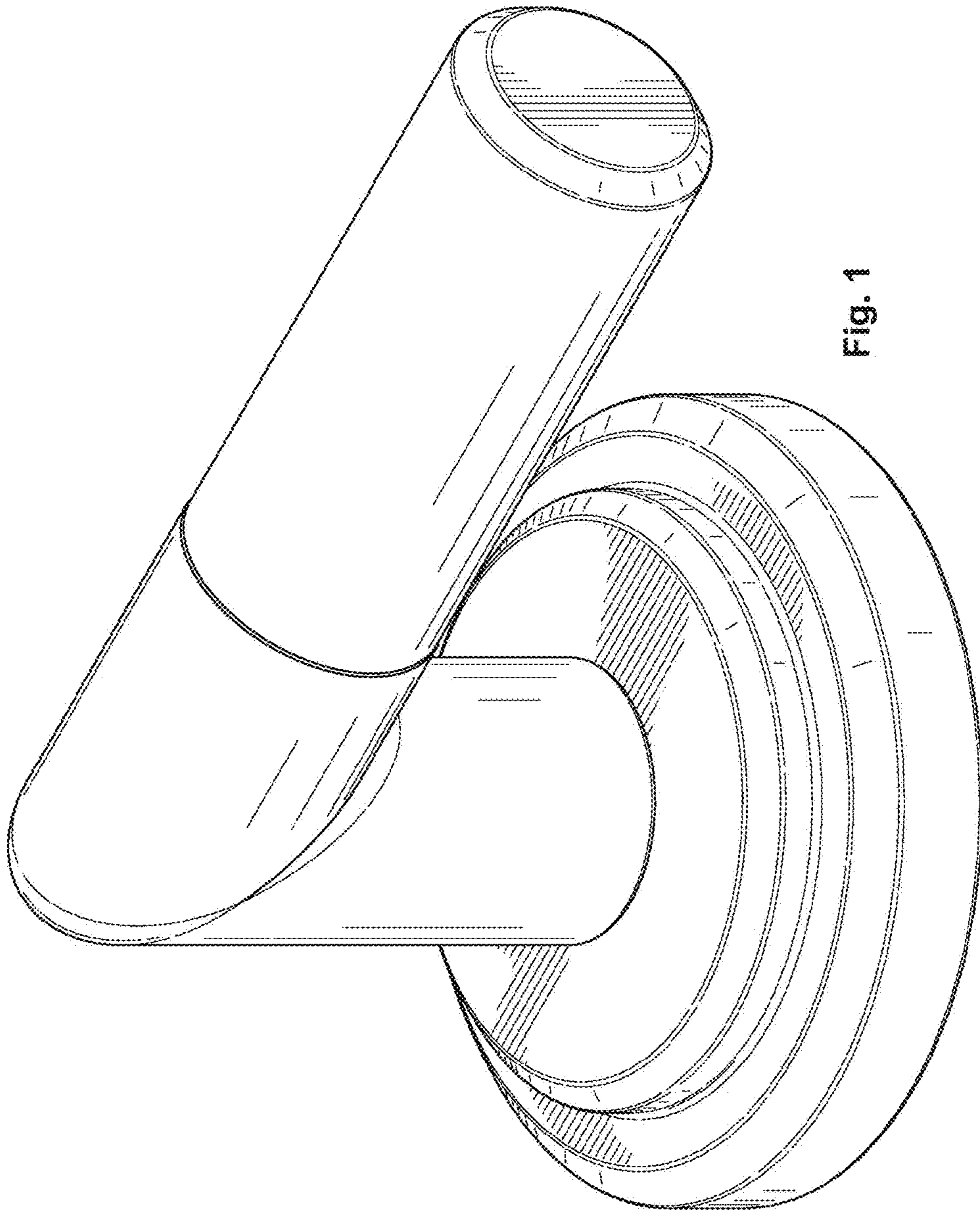


Fig. 1

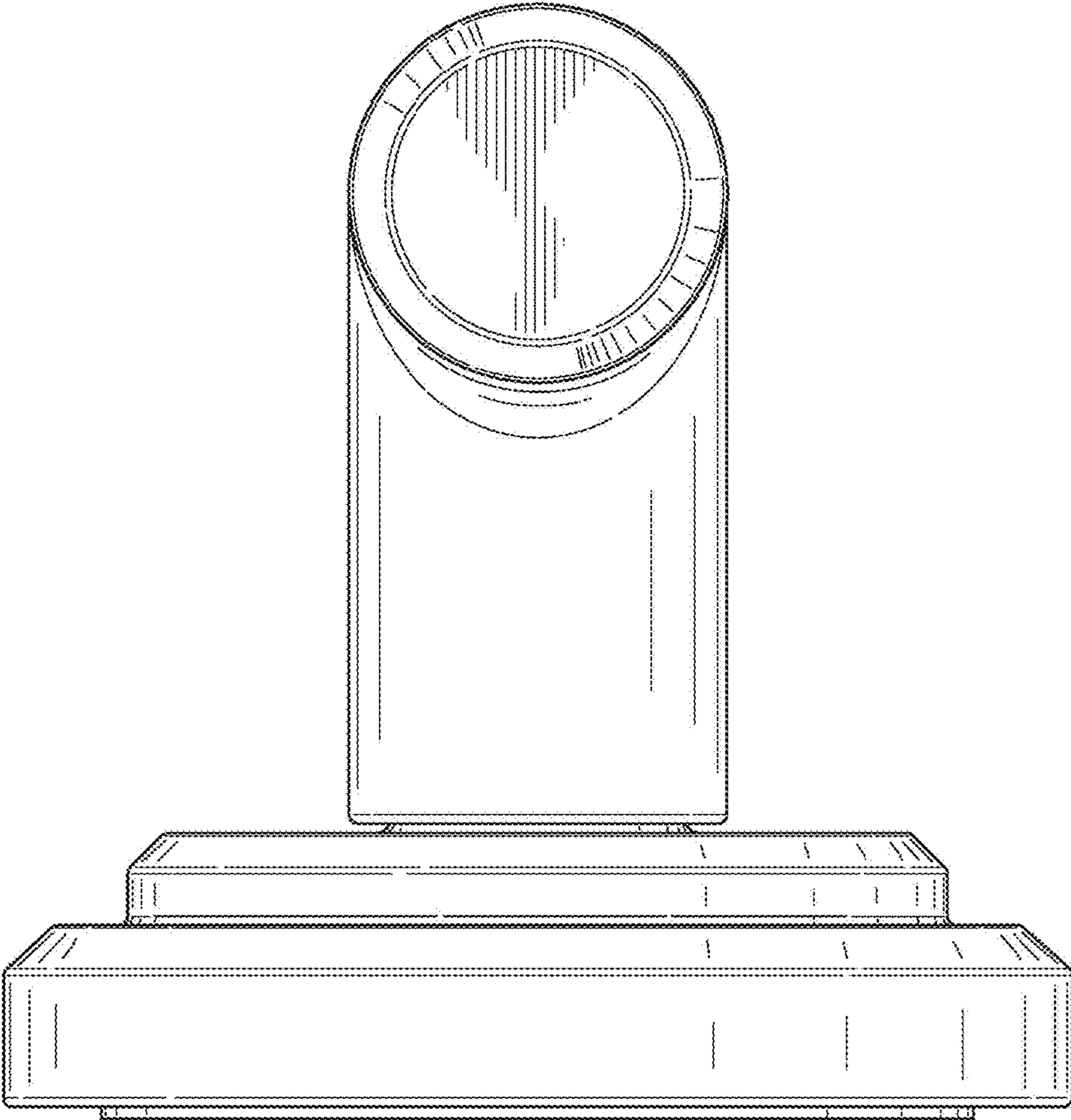


Fig. 2

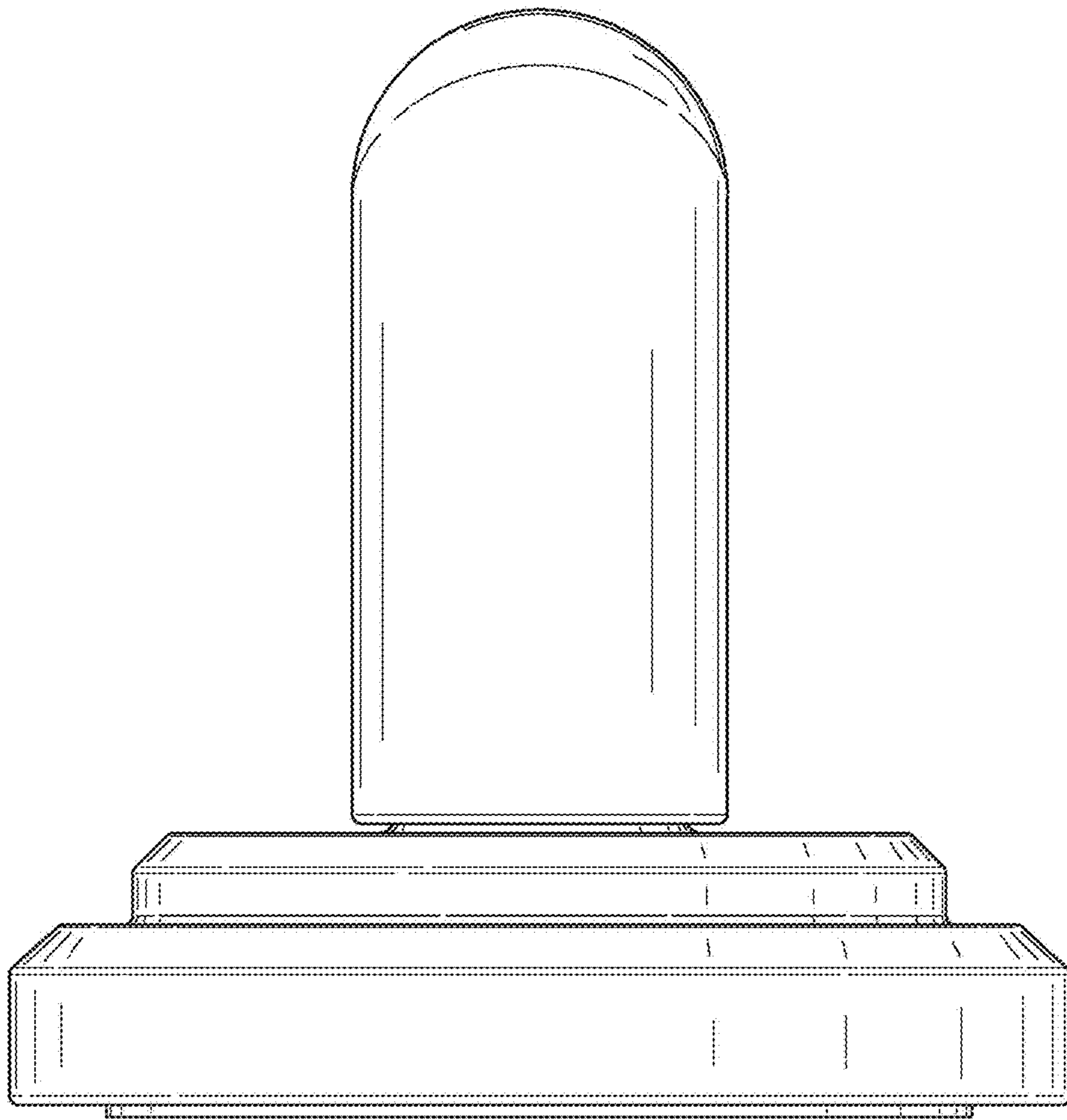


Fig. 3

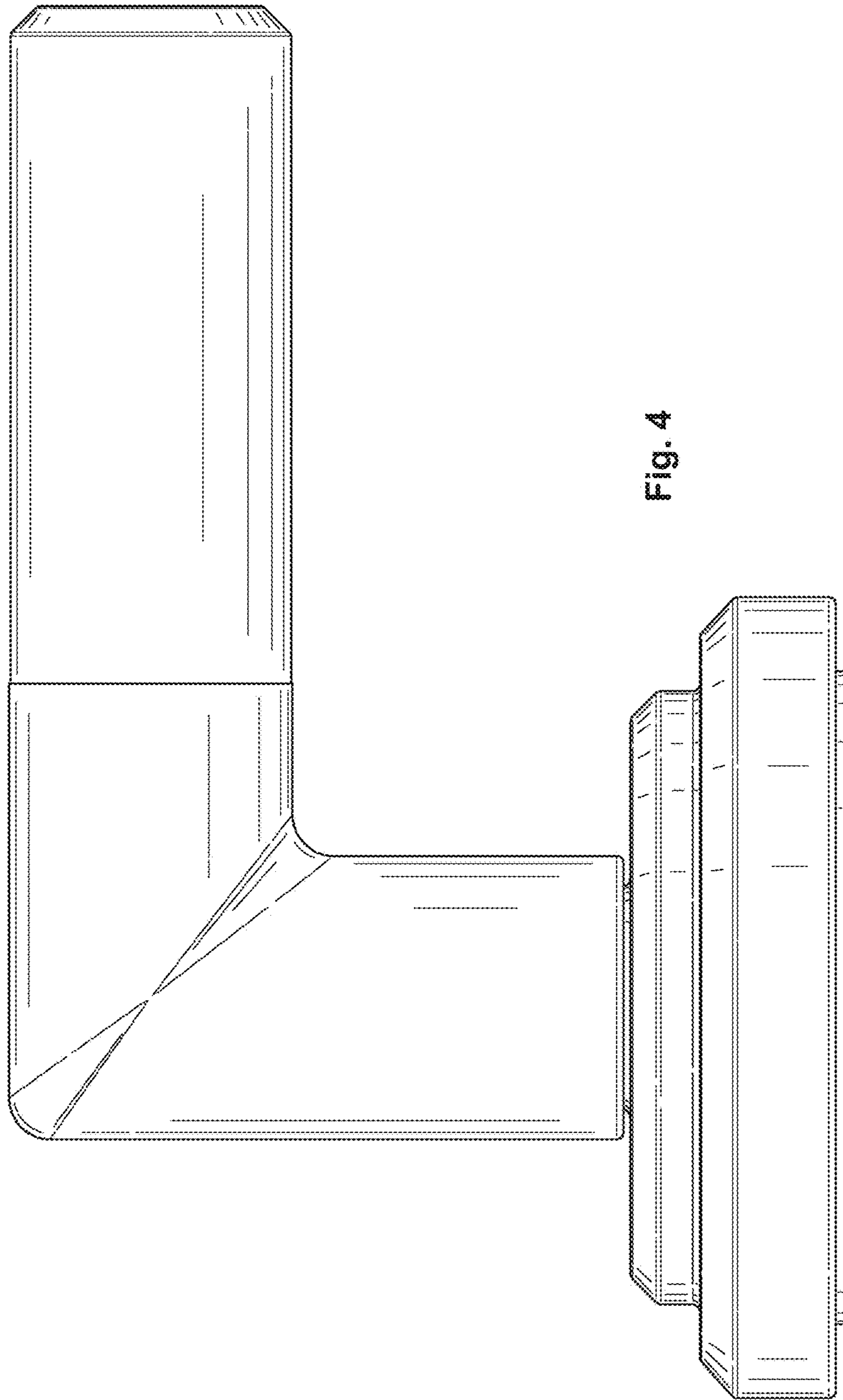


Fig. 4

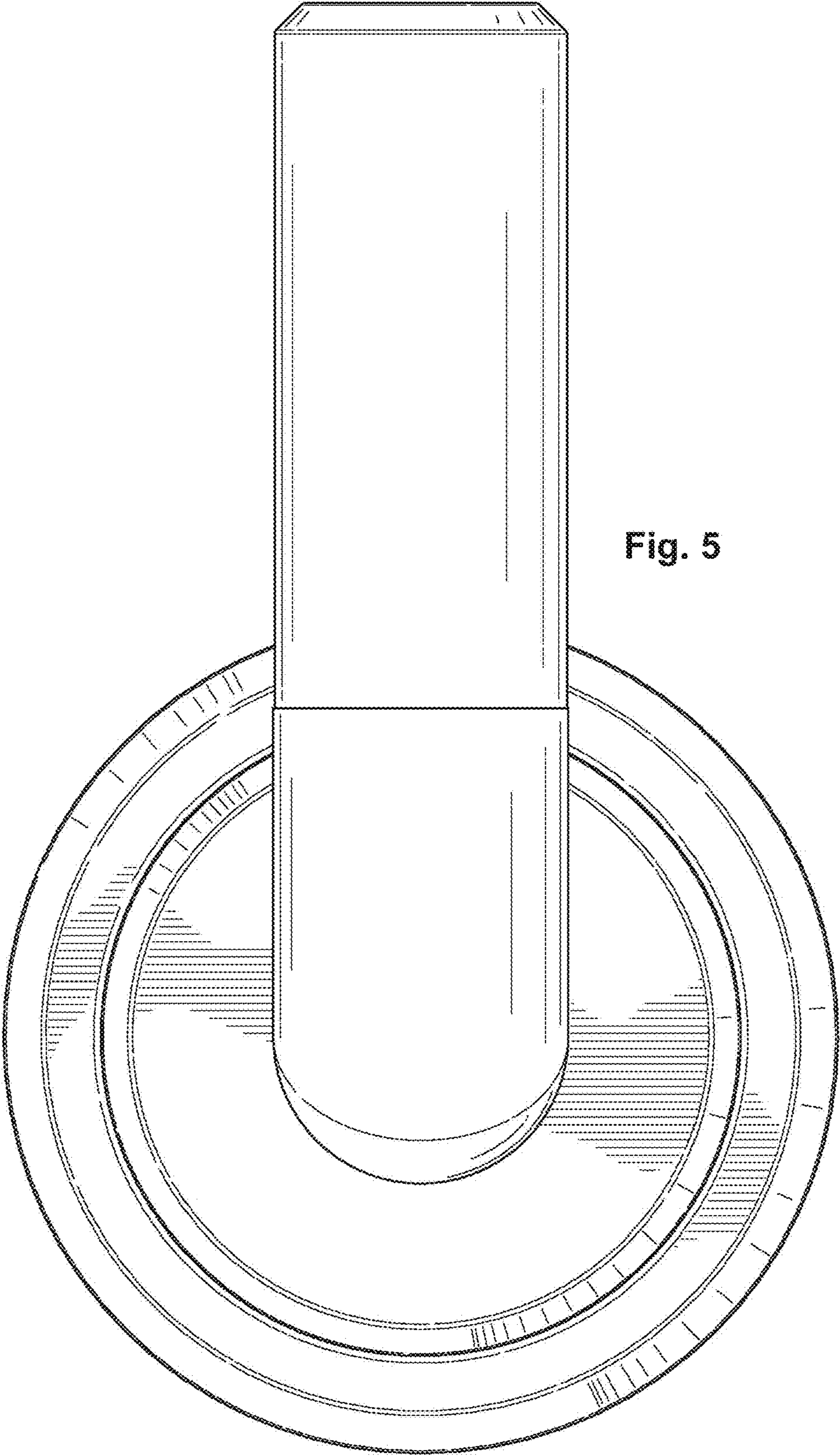


Fig. 5

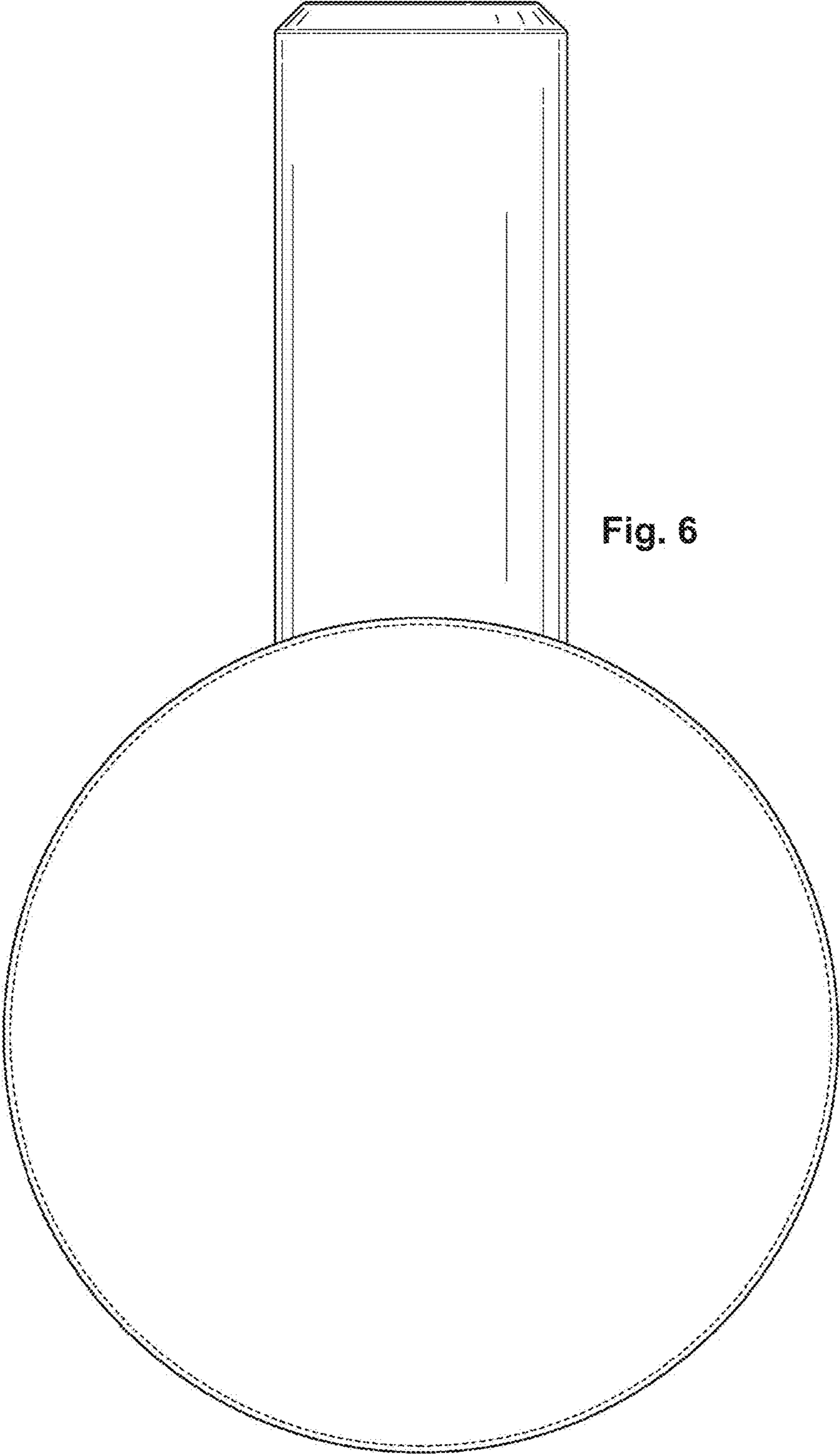


Fig. 6