



US00D829862S

(12) **United States Design Patent**
Lee et al.

(10) **Patent No.: US D829,862 S**
(45) **Date of Patent: ** Oct. 2, 2018**

- (54) **RING GRIP NOZZLE**
- (71) Applicant: **SHELL OIL COMPANY**, Houston, TX (US)
- (72) Inventors: **Dongkyu Lee**, Munich (DE); **Per Tommy Forsgren**, Warngau (DE); **Tithima Supavanichyanont**, Munich (DE)
- (73) Assignee: **SHELL OIL COMPANY**, Houston, TX (US)
- (**) Term: **15 Years**
- (21) Appl. No.: **29/599,109**
- (22) Filed: **Mar. 31, 2017**
- (51) **LOC (11) Cl. 23-01**
- (52) **U.S. Cl.**
USPC **D23/223**
- (58) **Field of Classification Search**
USPC 222/566; D23/213, 223, 226; 141/208, 141/209, 392, 271; 239/532
CPC B05B 15/061; B05B 1/00; B05B 5/00; B05B 1/005; B05B 3/00; B05B 9/01; B05B 7/1209; B67D 7/42; A62C 31/22
See application file for complete search history.

- (56) **References Cited**
U.S. PATENT DOCUMENTS
- 1,872,058 A * 8/1932 Bramsen B05B 7/04 239/416.4
- 3,363,842 A * 1/1968 Burns A62C 31/03 239/441
- D219,214 S * 11/1970 Eklund D23/226
- D221,547 S * 8/1971 Kleves D23/226
- D223,491 S * 4/1972 Smart et al. D23/226
- 3,704,831 A * 12/1972 Clark A62C 31/03 239/394

- D355,704 S * 2/1995 Simpson D23/223
- 5,577,561 A * 11/1996 Cook A62C 31/22 169/62
- 5,795,053 A * 8/1998 Pierce A62B 3/00 362/191
- 6,854,491 B1 * 2/2005 Knight B67D 7/54 141/206
- 7,258,285 B1 * 8/2007 Combs A62C 31/03 239/436
- D650,047 S * 12/2011 Varini A62B 3/00 D23/226
- D656,221 S * 3/2012 Gevers A62C 31/03 D23/226
- D684,664 S * 6/2013 Gevers A62C 31/03 D23/226
- 8,539,997 B2 * 9/2013 Driftmeyer B67D 7/42 137/554
- 9,630,201 B2 * 4/2017 Fabrey B05B 15/061

* cited by examiner

Primary Examiner — Robin V Webster

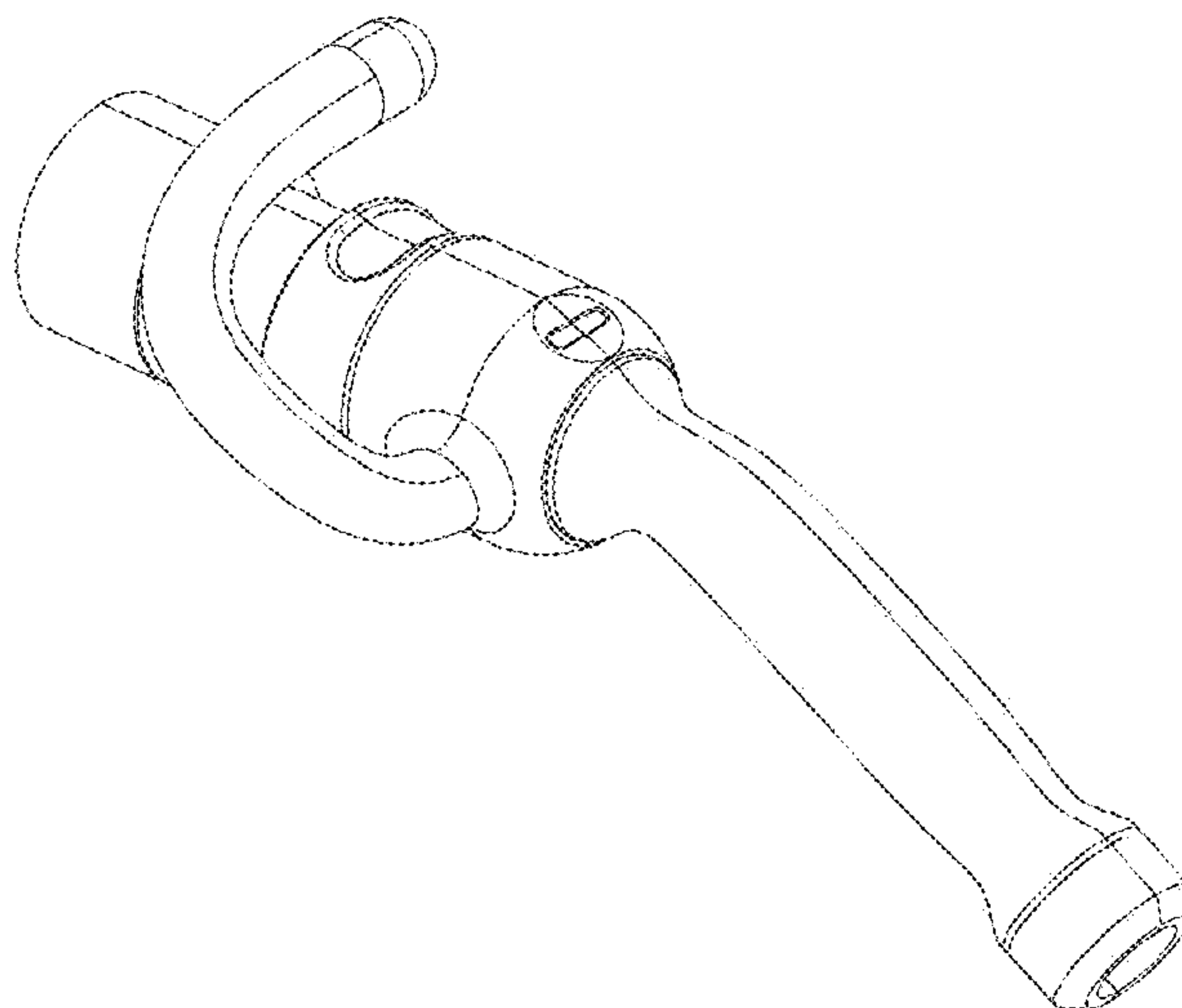
(57) **CLAIM**

We claim the ornamental design for a ring grip nozzle, as shown and described.

DESCRIPTION

FIG. 1 is a perspective view of the ring grip nozzle.
 FIG. 2 is a left elevation view of the ring grip nozzle of FIG. 1.
 FIG. 3 is a right elevation view of the ring grip nozzle of FIG. 1.
 FIG. 4 is a front elevation view of the ring grip nozzle of FIG. 1.
 FIG. 5 is a rear elevation view of the ring grip nozzle of FIG. 1.
 FIG. 6 is a top view of the ring grip nozzle of FIG. 1; and, FIG. 7 is a bottom view of the ring grip nozzle of FIG. 1.
 The broken lines shown in FIG. 5 shows a portion of the ring grip nozzle that forms no part of the claimed design.

1 Claim, 5 Drawing Sheets



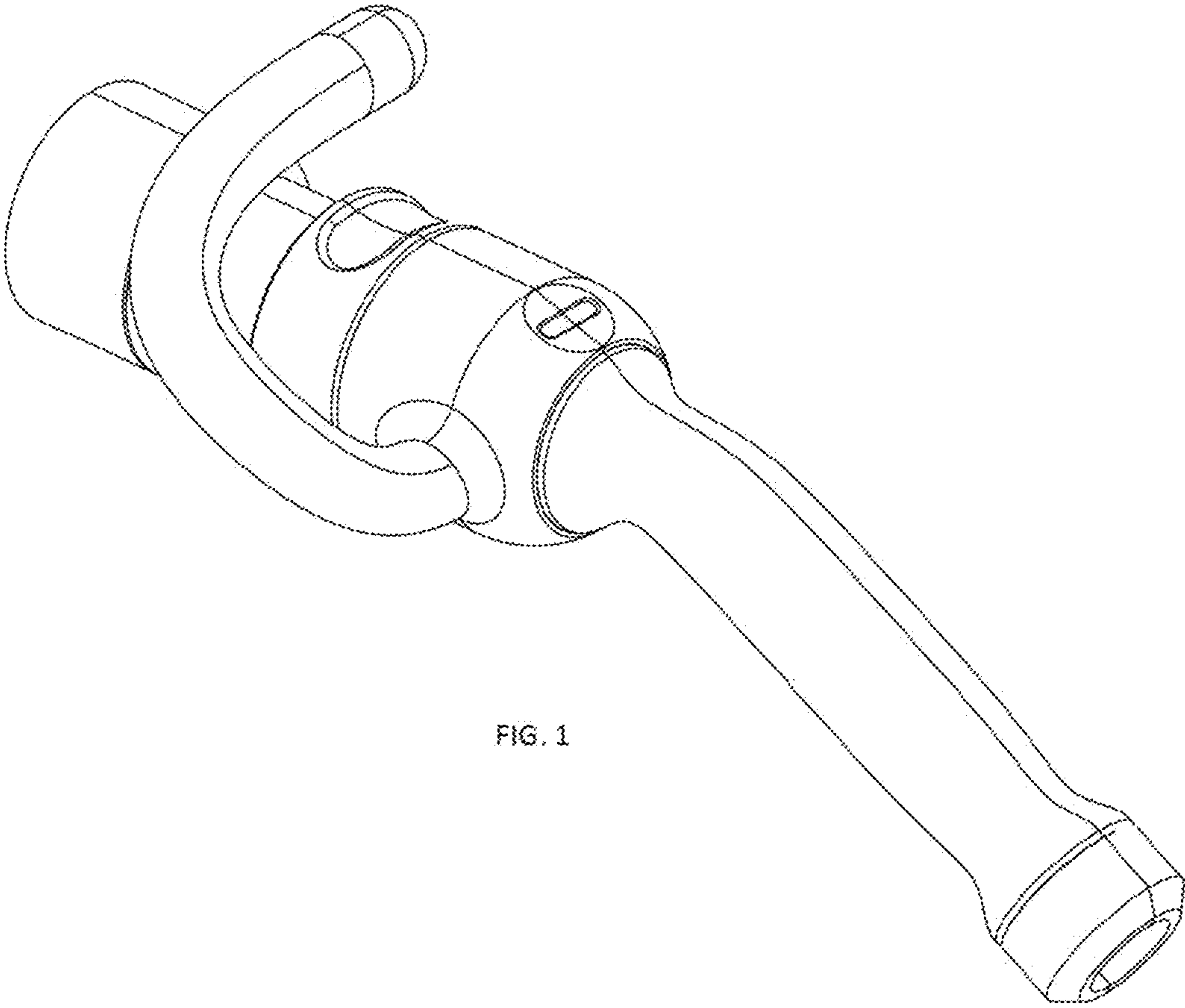


FIG. 1

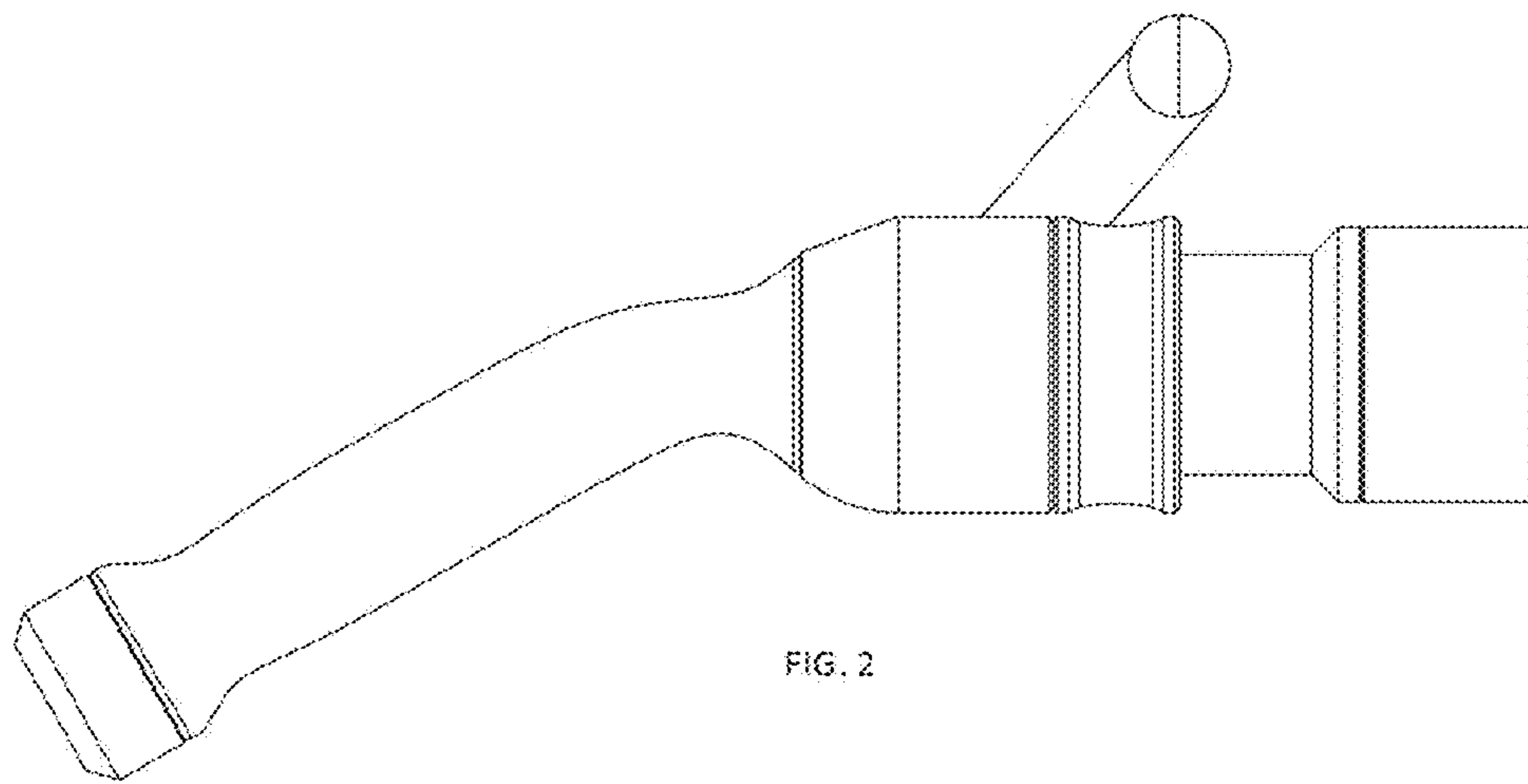


FIG. 2

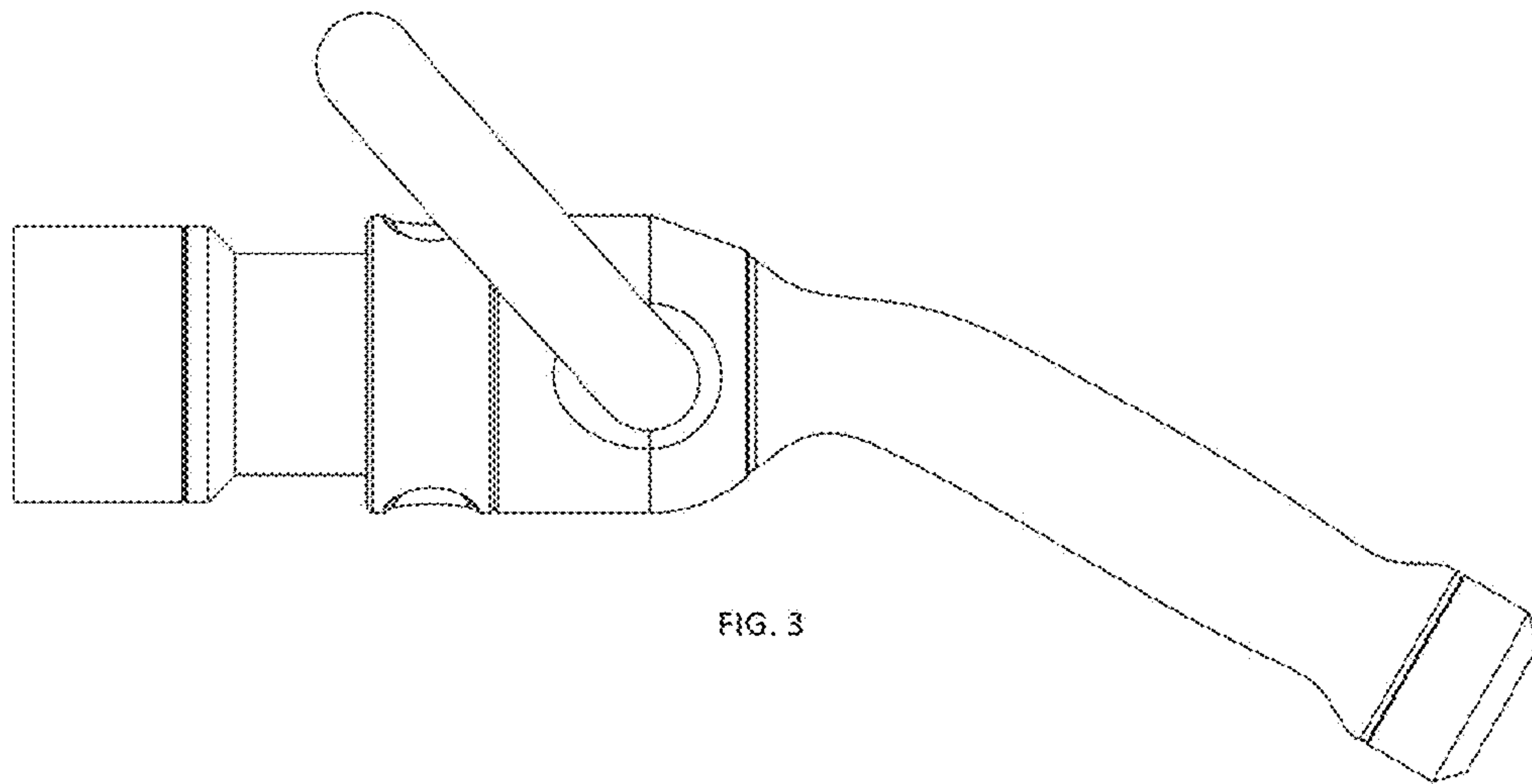


FIG. 3

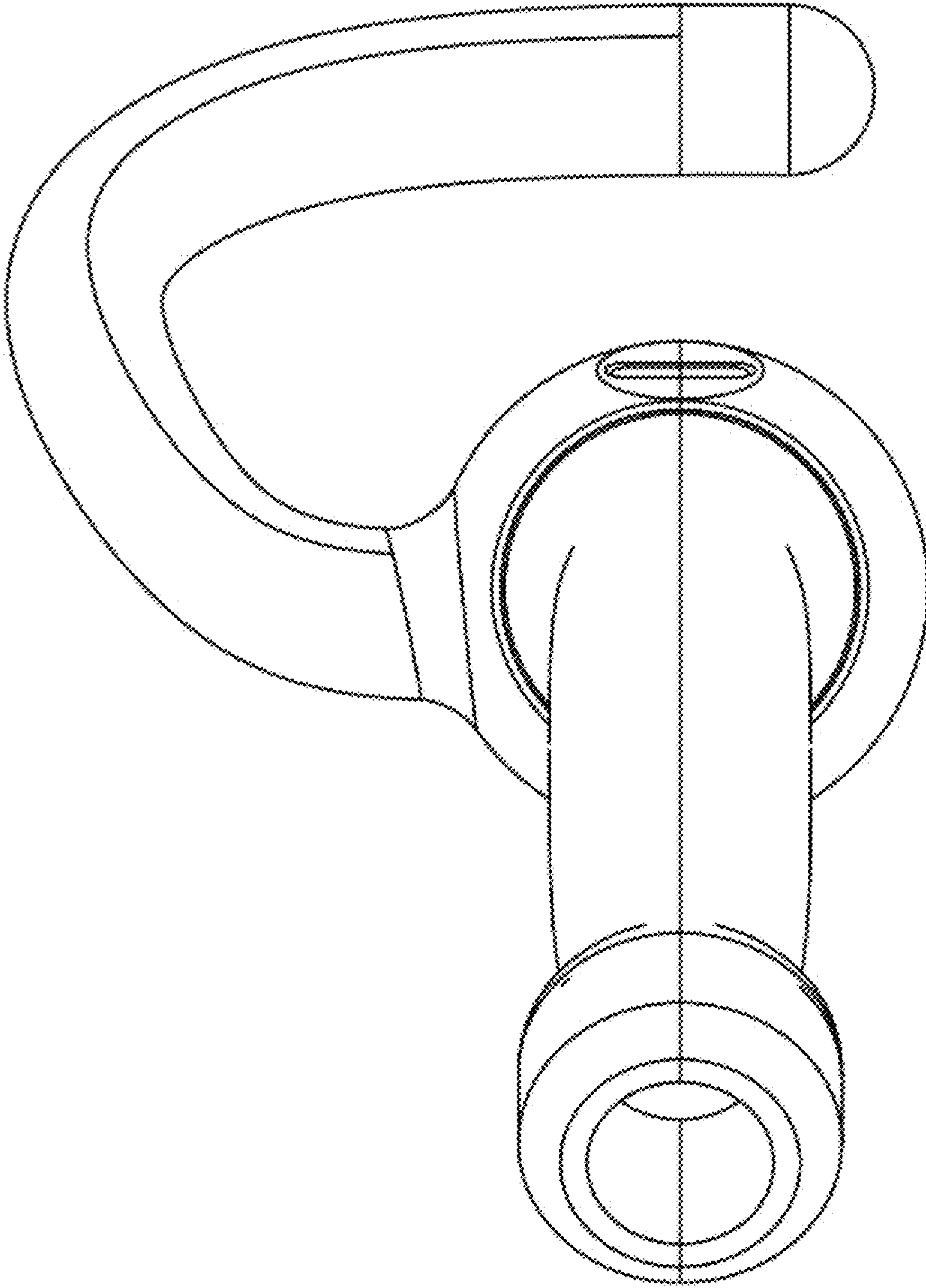


FIG. 4

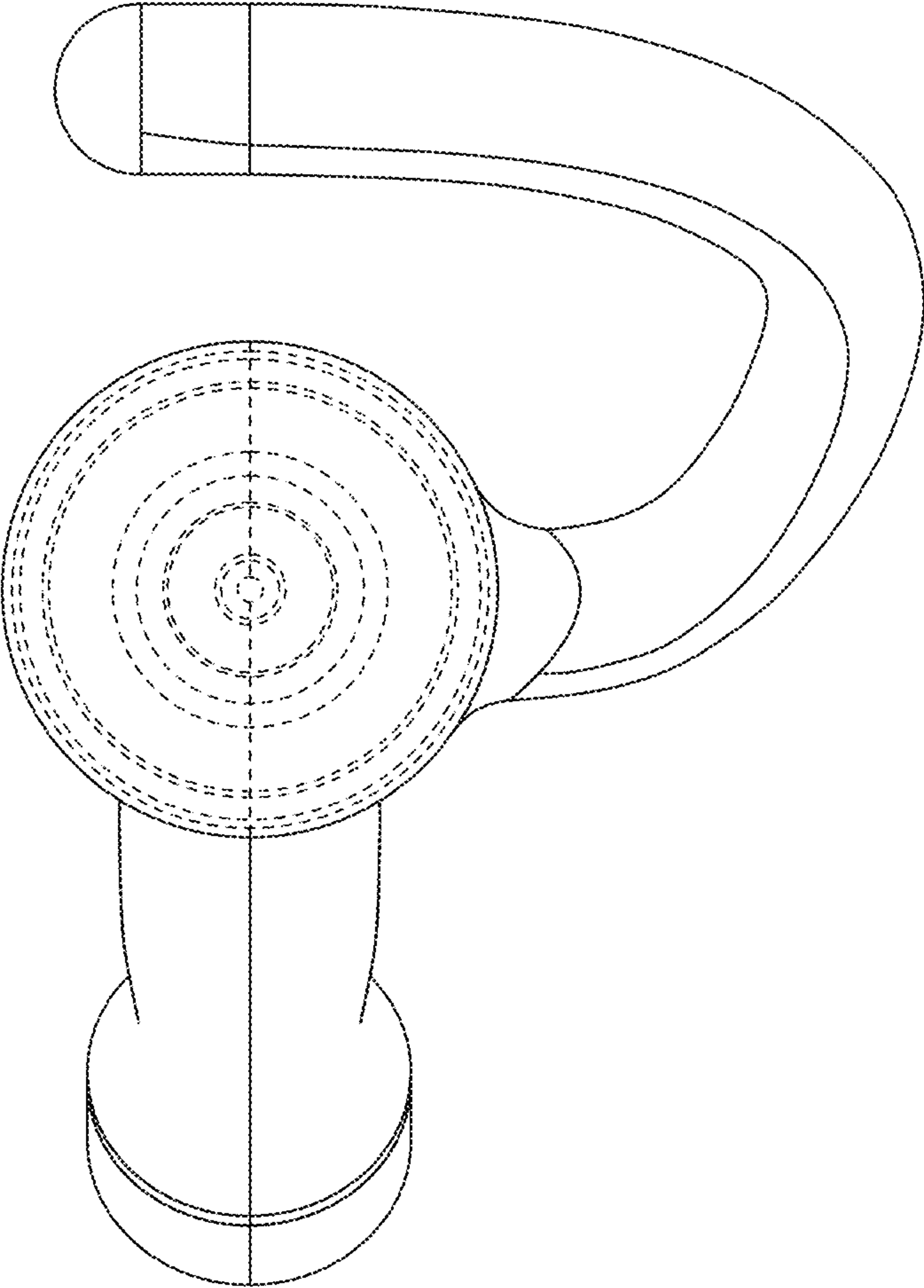


FIG. 5

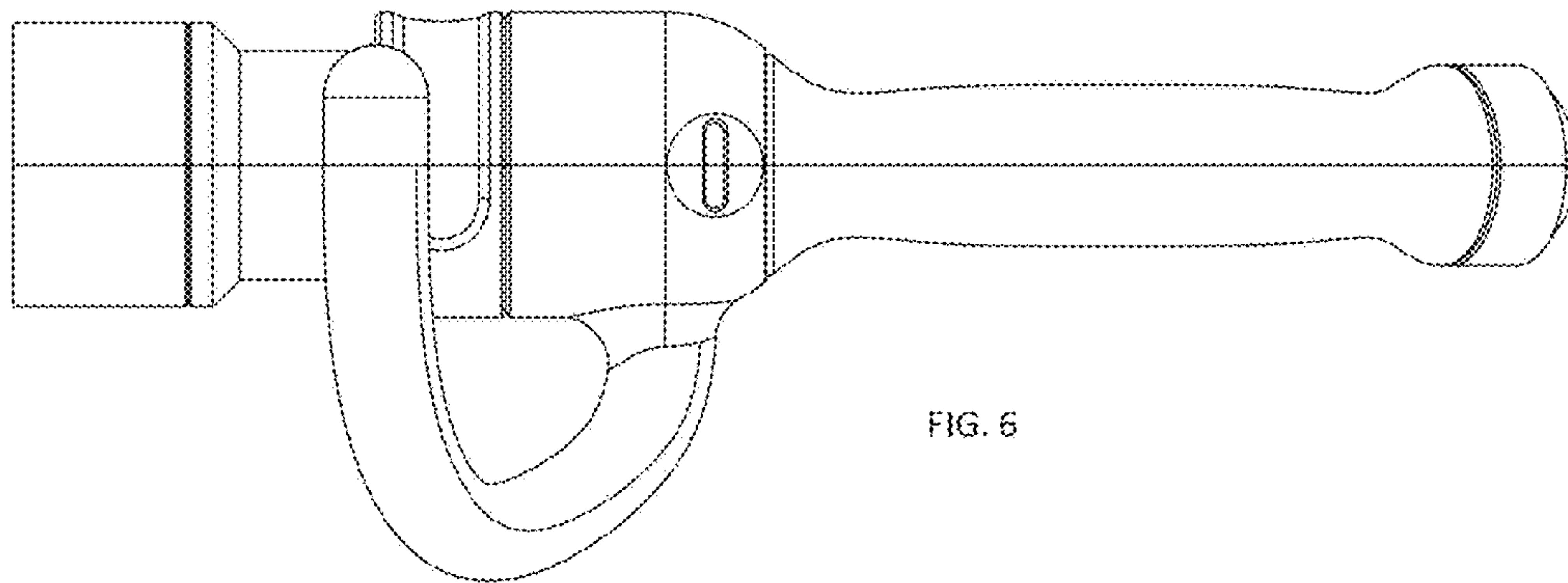


FIG. 6

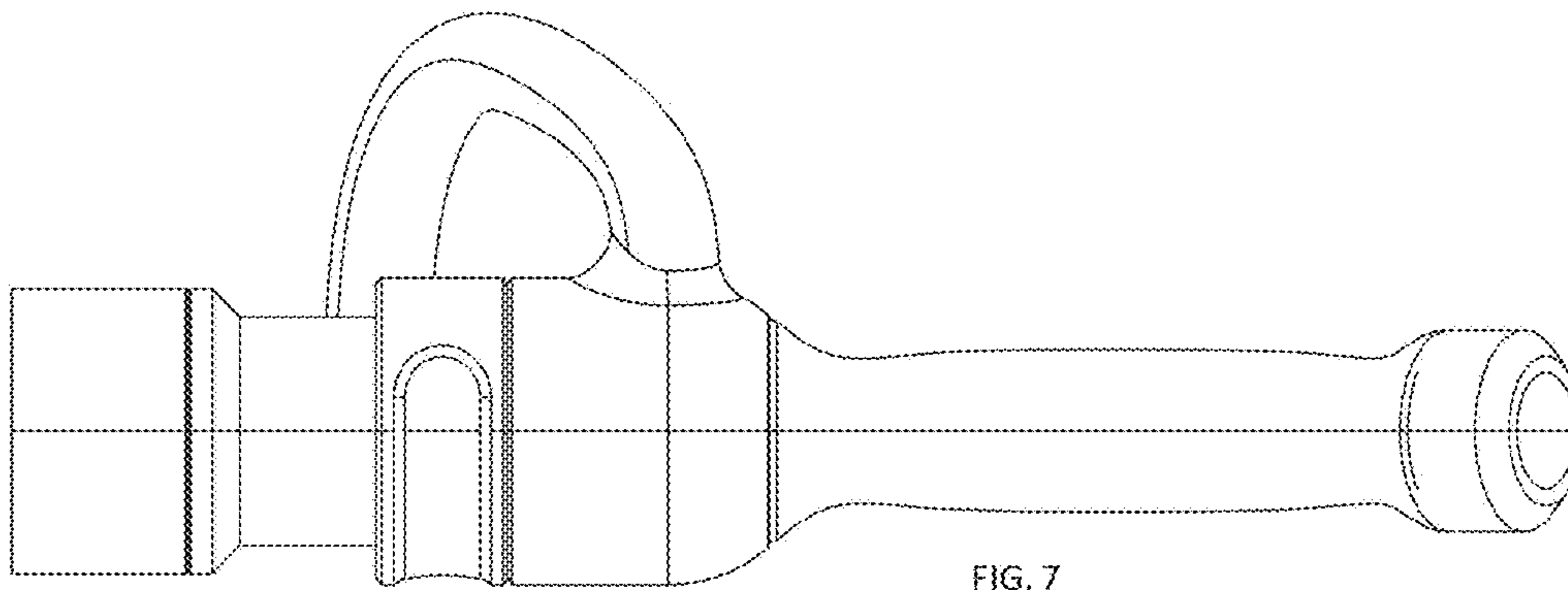


FIG. 7