



US00D829861S

(12) **United States Design Patent**
Lee et al.

(10) **Patent No.:** **US D829,861 S**
(45) **Date of Patent:** **** Oct. 2, 2018**

(54) **DISPENSER NOZZLE**
(71) Applicant: **SHELL OIL COMPANY**, Houston,
TX (US)
(72) Inventors: **Dongkyu Lee**, Munich (DE); **Per**
Tommy Forsgren, Warngau (DE);
Tithima Supavanichyanont, Munich
(DE)
(73) Assignee: **SHELL OIL COMPANY**, Houston,
TX (US)
(**) Term: **15 Years**

D221,547 S * 8/1971 Kleves D23/226
D223,491 S * 4/1972 Smart et al. D23/226
3,704,831 A * 12/1972 Clark A62C 31/03
239/394
D355,704 S * 2/1995 Simpson D23/223
5,577,561 A * 11/1996 Cook A62C 31/22
169/62
5,795,053 A * 8/1998 Pierce A62B 3/00
362/191
6,854,491 B1 * 2/2005 Knight B67D 7/54
141/206
7,258,285 B1 * 8/2007 Combs A62C 31/03
239/436
D650,047 S * 12/2011 Varini A62B 3/00
D23/226
D656,221 S * 3/2012 Gevers A62C 31/03
D23/226

(21) Appl. No.: **29/598,468**
(22) Filed: **Mar. 27, 2017**
(30) **Foreign Application Priority Data**

Nov. 2, 2016 (GB) 6002364

(51) **LOC (11) Cl.** **23-01**
(52) **U.S. Cl.**

USPC **D23/223**

(58) **Field of Classification Search**
USPC D23/213, 223, 226; 141/208, 209, 392,
141/271; 239/532; 222/566
CPC B05B 15/061; B05B 1/00; B05B 5/00;
B05B 1/005; B05B 3/00; B05B 9/01;
B05B 7/1209; A62C 31/22; B67D 7/42
See application file for complete search history.

(56) **References Cited**

U.S. PATENT DOCUMENTS

1,872,058 A * 8/1932 Bramsen B05B 7/04
239/416.4
3,363,842 A * 1/1968 Burns A62C 31/03
239/441
D219,214 S * 11/1970 Eklund D23/226

(Continued)

Primary Examiner — Robin V Webster

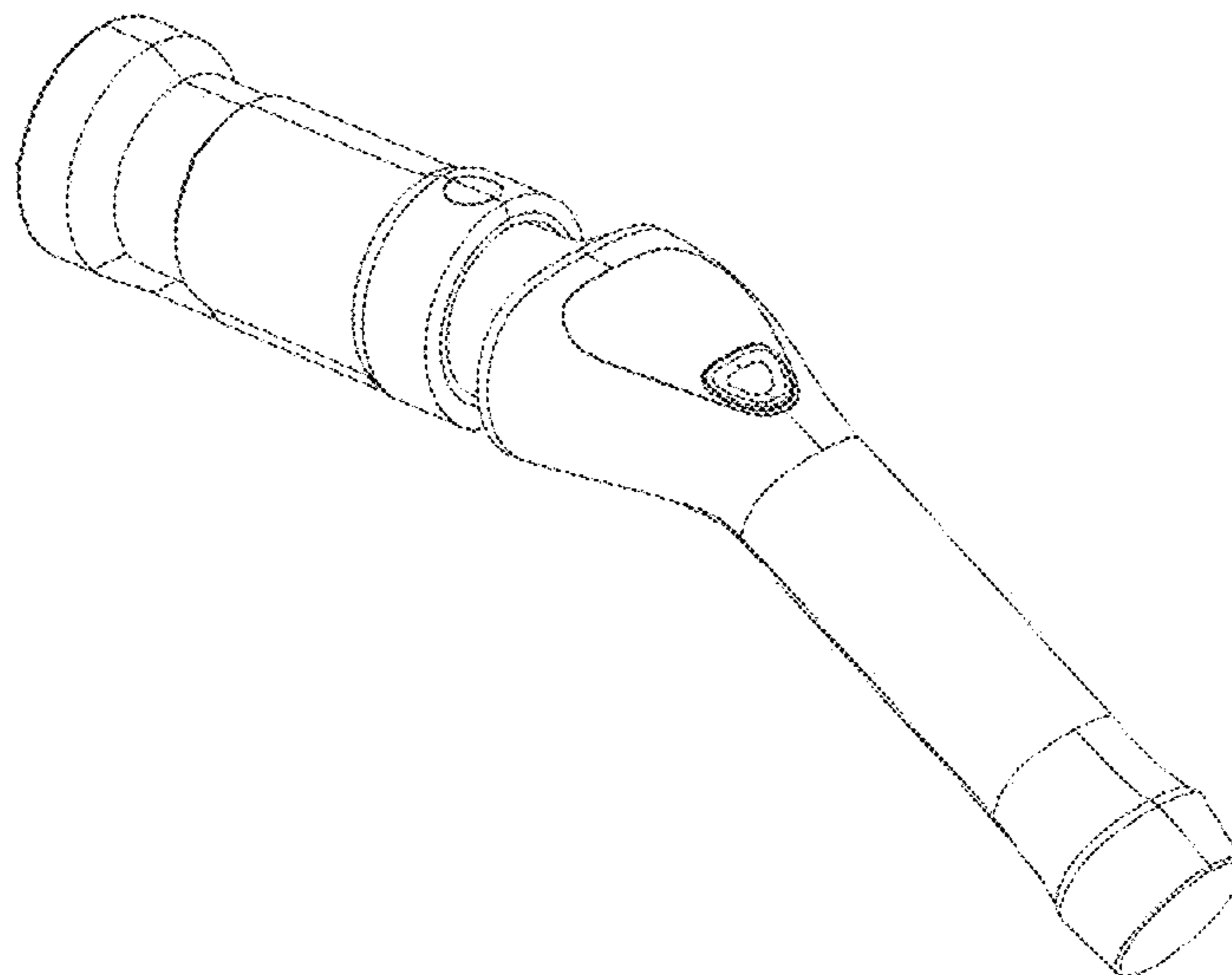
(57) **CLAIM**

We claim the ornamental design for a dispenser nozzle, as shown and described.

DESCRIPTION

FIG. 1 is a perspective view of the dispenser nozzle.
FIG. 2 is a right elevation view of the dispenser nozzle of FIG. 1.
FIG. 3 is a left elevation view of the dispenser nozzle of FIG. 1.
FIG. 4 is a rear elevation view of the dispenser nozzle of FIG. 1.
FIG. 5 is a front elevation view of the dispenser nozzle of FIG. 1-FIG. 4.
FIG. 6 is a top view of the dispenser nozzle of FIG. 1-FIG. 5; and,
FIG. 7 is a bottom view of the dispenser nozzle of FIG. 1-FIG. 6.
The broken lines shown in FIG. 4 shows a portion of the dispenser nozzle that forms no part of the claimed design.

1 Claim, 4 Drawing Sheets



(56)

References Cited

U.S. PATENT DOCUMENTS

D684,664 S * 6/2013 Gevers A62C 31/03
D23/226
8,539,997 B2 * 9/2013 Driftmeyer B67D 7/42
137/554
9,630,201 B2 * 4/2017 Fabrey B05B 15/061

* cited by examiner

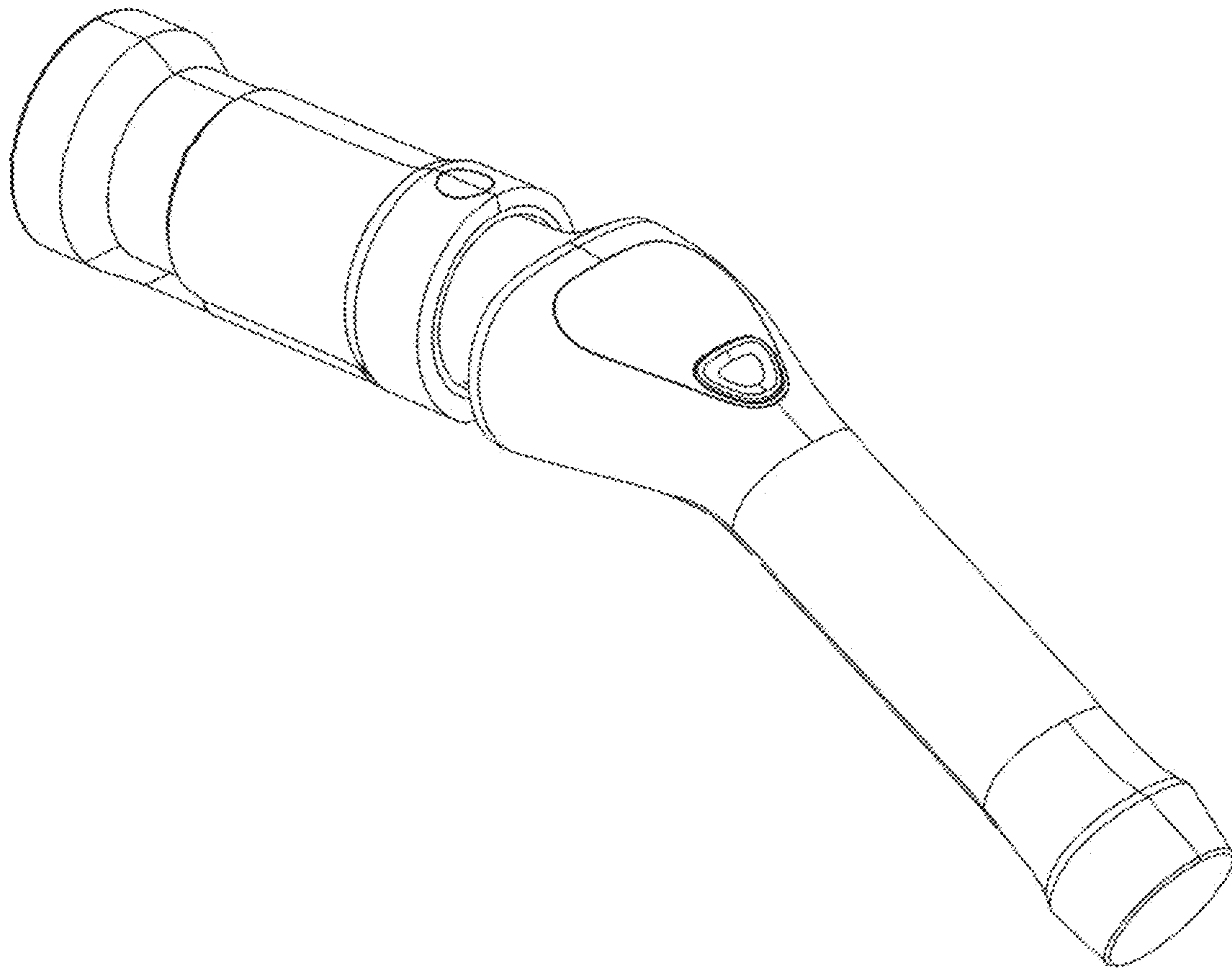


FIG. 1

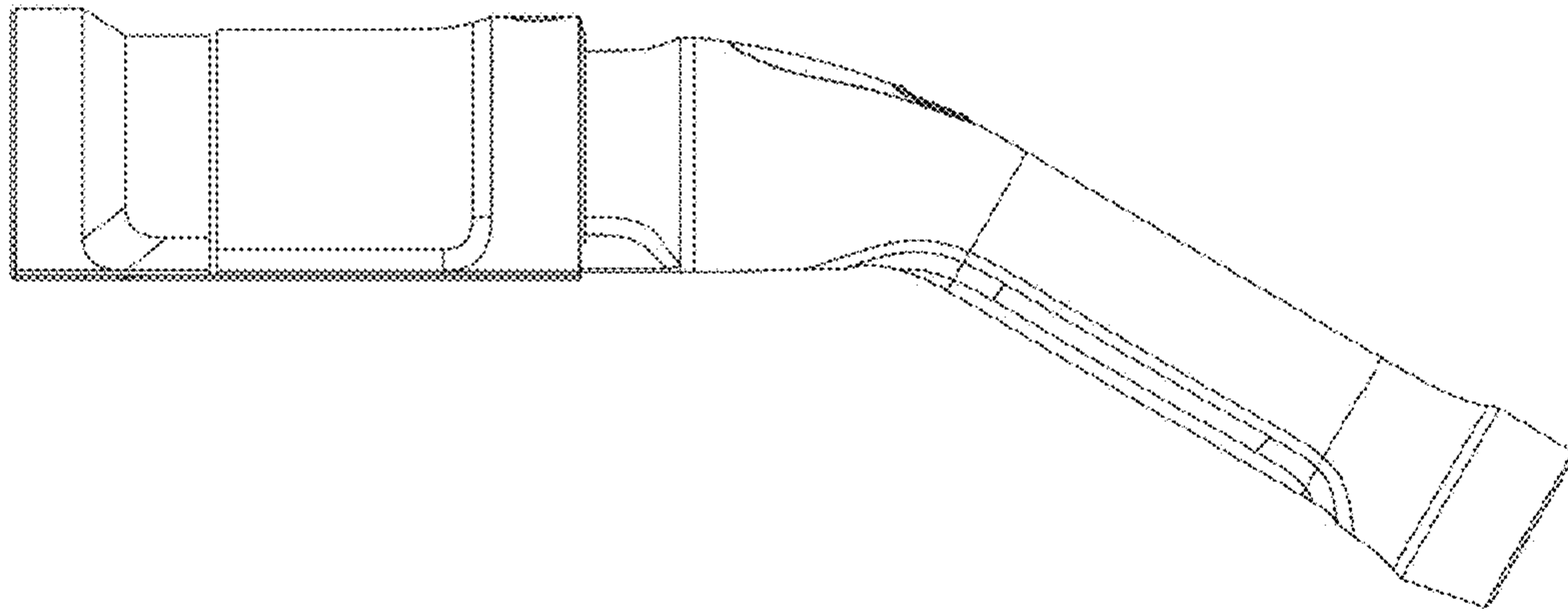


FIG. 2

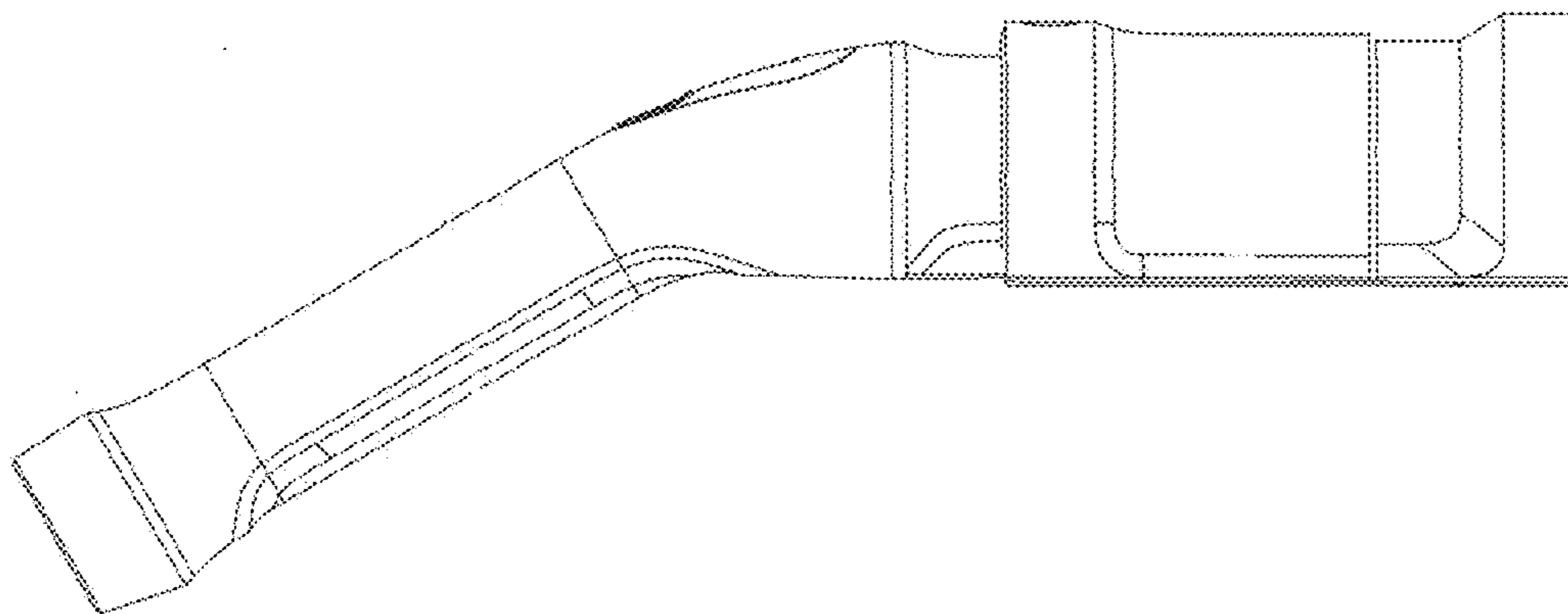


FIG. 3

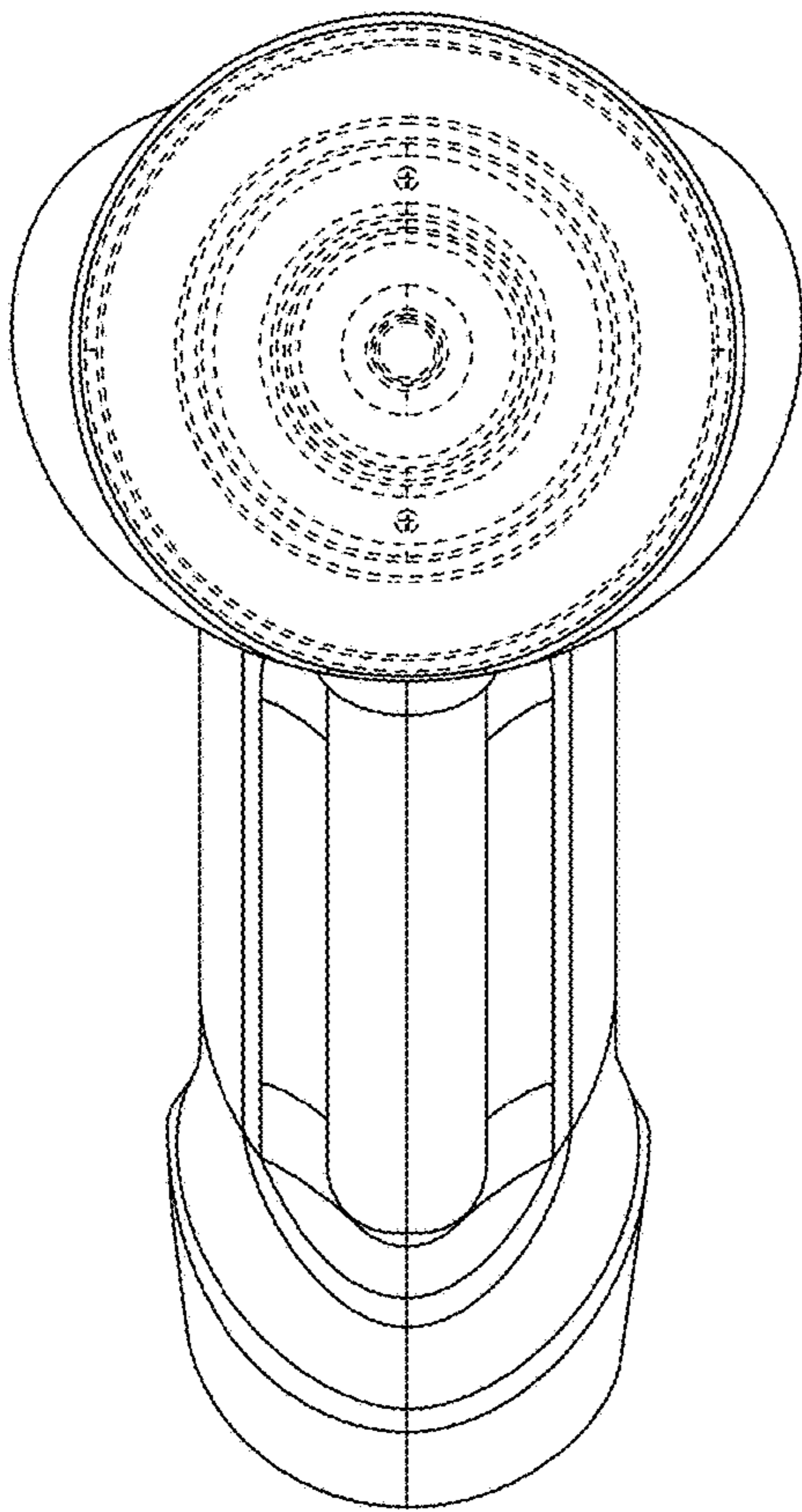


FIG. 4

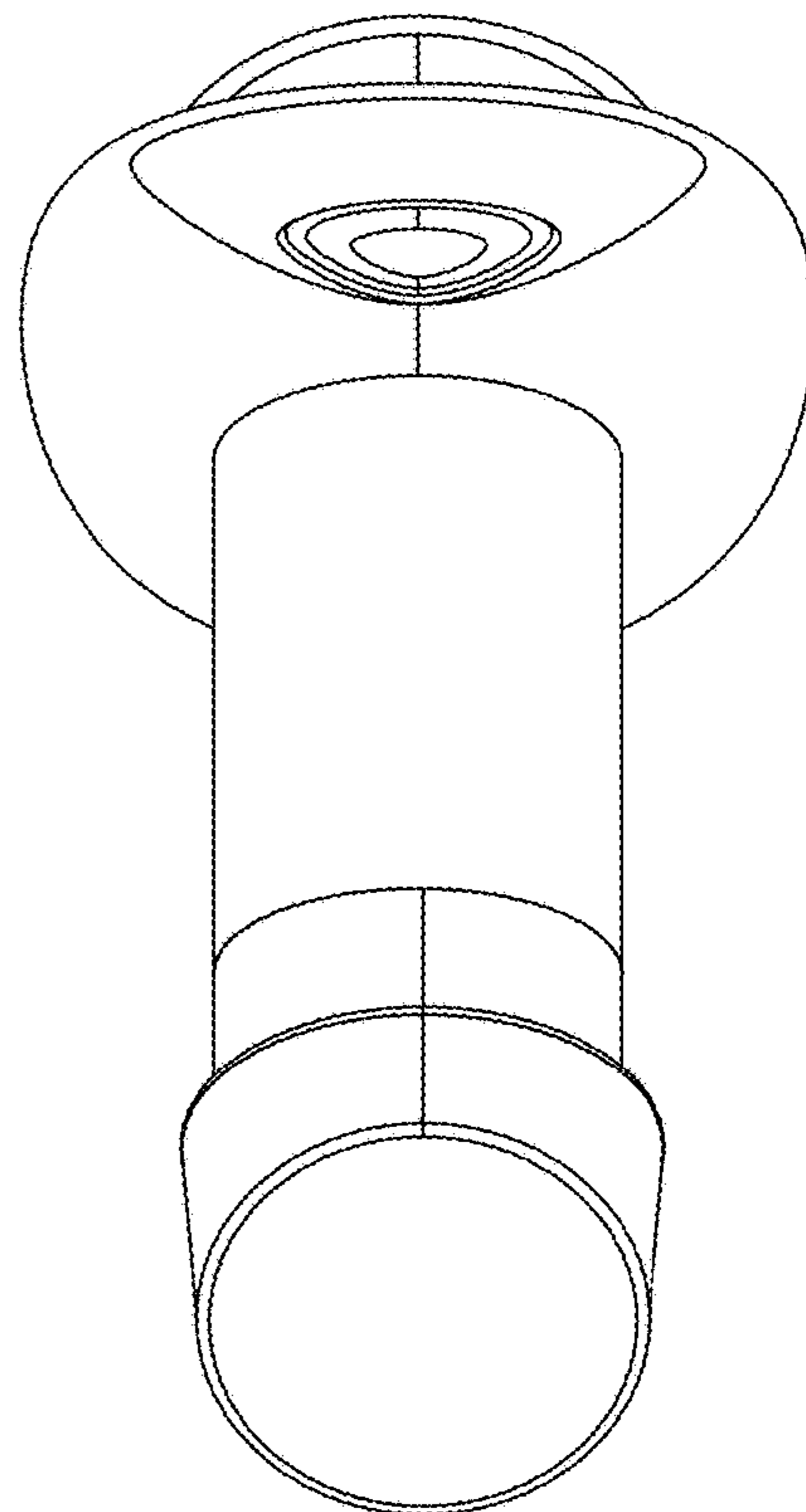


FIG. 5

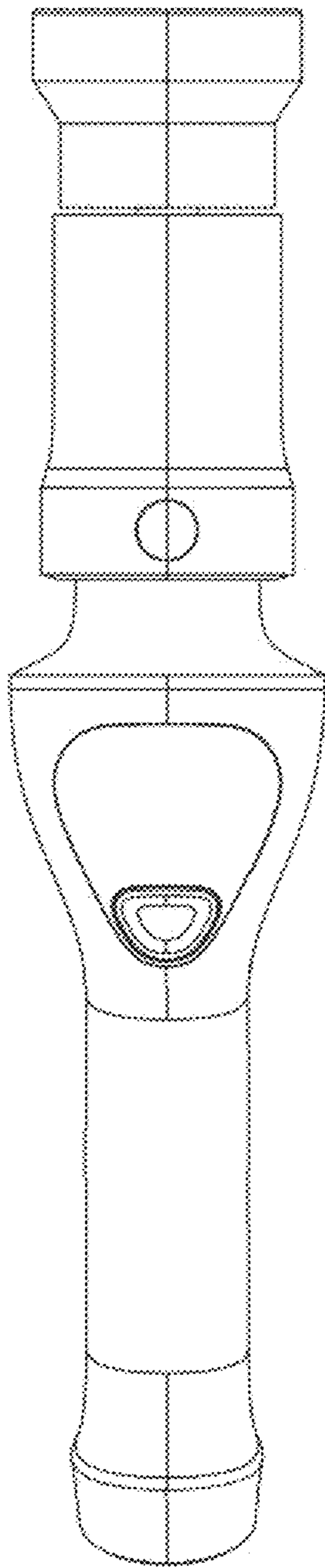


FIG. 6

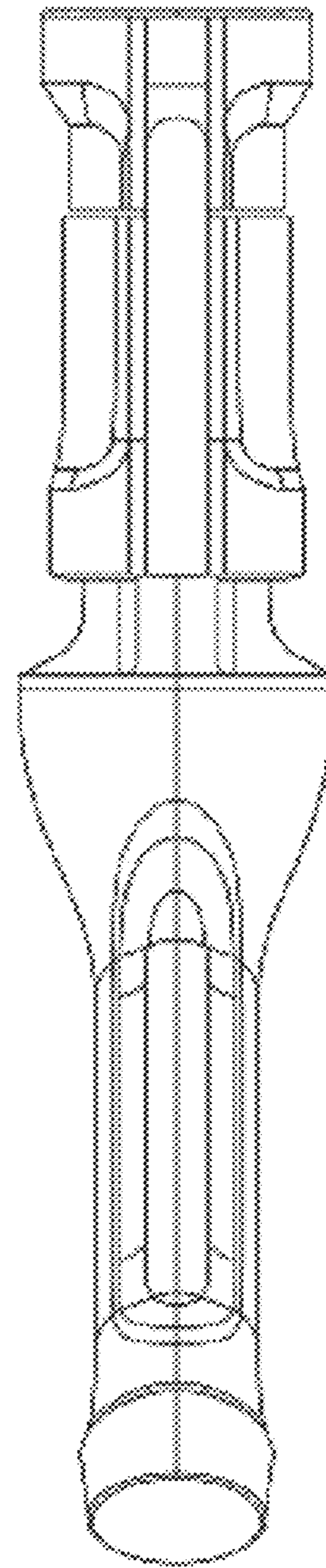


FIG. 7