



US00D829859S

(12) **United States Design Patent**
Eroglu

(10) **Patent No.:** **US D829,859 S**
(45) **Date of Patent:** **** Oct. 2, 2018**

(54) **PROTECTION CAP FOR CYLINDER VALVE**

(56) **References Cited**

(71) Applicant: **LUXEMBOURG PATENT COMPANY S.A.**, Lintgen (LU)

U.S. PATENT DOCUMENTS

(72) Inventor: **Volkan Eroglu**, Luxembourg (LU)

D201,962 S *	8/1965	Hammesfahr	D23/206
4,521,676 A *	6/1985	Poulsen	F17C 13/003
				220/724
D370,251 S *	5/1996	Nakahara	D23/260
D396,380 S *	7/1998	Lai	D7/392
D407,145 S *	3/1999	Nordgren	D23/260
D439,956 S *	4/2001	Nilsson	D23/206
6,311,722 B1 *	11/2001	Gounot	F17C 13/06
				137/377
D479,800 S *	9/2003	McRae	F17C 13/06
				D9/443
D576,542 S *	9/2008	Johnson	F17C 13/06
				D12/345
D576,702 S *	9/2008	Aguiar	D23/206
D647,997 S *	11/2011	Squires	D23/206
8,534,312 B2 *	9/2013	Burgess	F17C 13/06
				137/377
D692,980 S *	11/2013	Quick	D23/206
D692,981 S *	11/2013	Fowler	D23/206
8,919,602 B2 *	12/2014	Nolan	F17C 13/06
				220/602
D735,034 S *	7/2015	Riddell	D9/445
D786,398 S *	5/2017	Ligonesche	D23/206
D795,008 S *	8/2017	Eyal	D7/392.1

(**) Term: **15 Years**

(21) Appl. No.: **35/502,275**

(22) Filed: **Jul. 13, 2016**

(80) **Hague Agreement Data**

Int. Filing Date: **Jul. 13, 2016**

Int. Reg. No.: **DM/091902**

Int. Reg. Date: **Jul. 13, 2016**

Int. Reg. Pub. Date: **Jan. 13, 2017**

(51) **LOC (11) Cl.** **23-01**

(52) **U.S. Cl.**

USPC **D23/206; D23/260**

(58) **Field of Classification Search**

USPC D9/434, 435, 443, 531, 532; D12/607, D12/345; D23/249, 250, 260, 206

CPC ... B65D 1/00; B65D 1/02; B65D 1/12; B65D 1/14; B65D 1/40; B65D 1/44; B65D 1/023; B65D 1/0223; B65D 1/165; B65D 1/238; B65D 1/246; B65D 1/253; B65D 7/04; B65D 21/0209; B65D 21/0233; B65D 25/00; B65D 25/28; B65D 41/0457; B65D 41/17; B65D 53/06; B65D 75/56; B65D 79/005; B65D 2501/0036; B65D 2543/00064; B65D 2543/00074; B65D 2543/00083; B65D 2543/00092; B65D 2543/00101; B65D 2543/00111; B21D 51/26; B21D 51/383; B29C 66/71; Y10T 29/49826; F17C 13/06; F17C 2205/0308; B23K 31/02

See application file for complete search history.

(Continued)

Primary Examiner — Keli L Hill

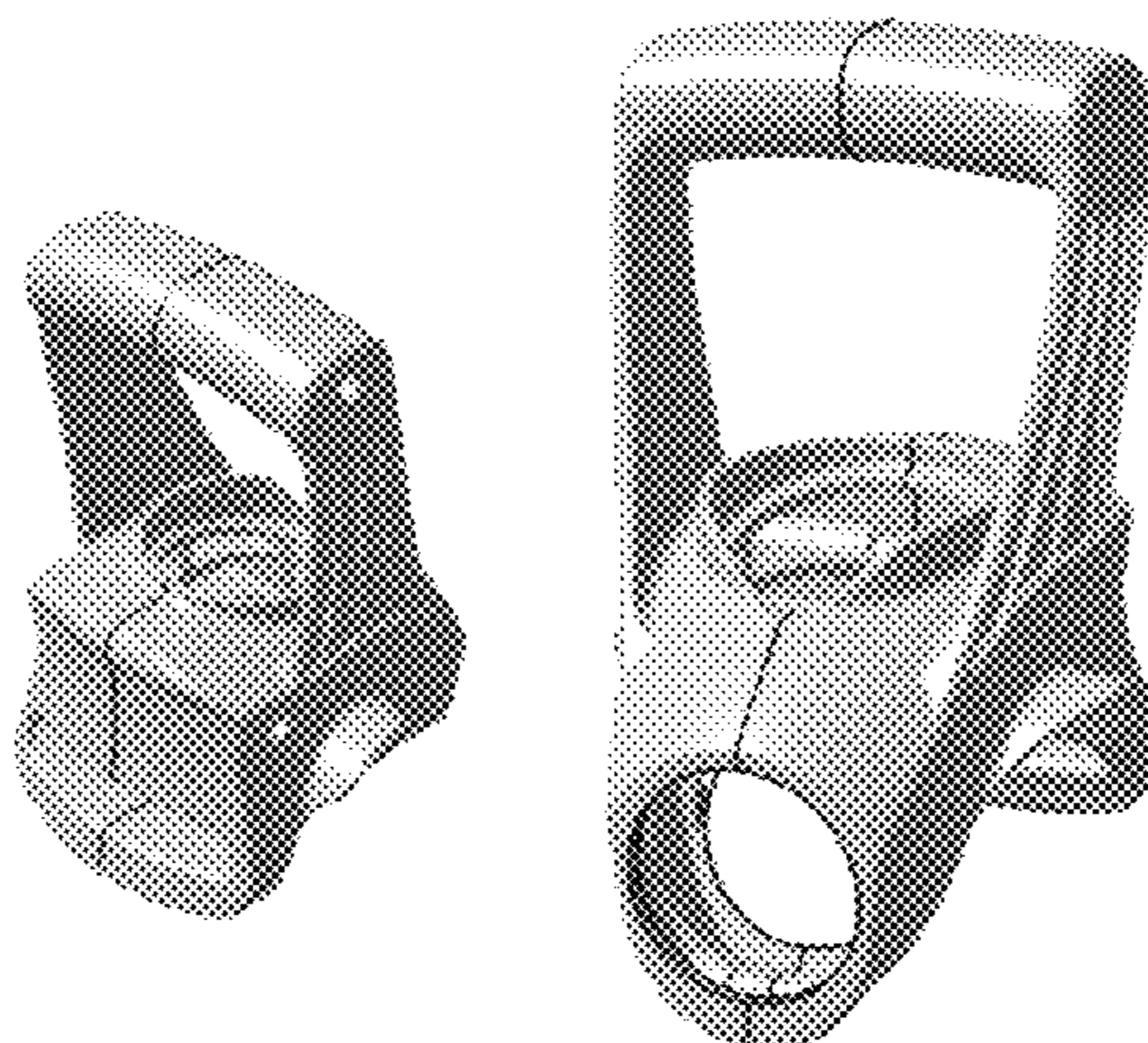
(57) **CLAIM**

The ornamental design for a protection cap for cylinder valve, as shown and described.

DESCRIPTION

1. Protection cap for cylinder valve
- 1.1 is a top, rear and left side perspective view.
- 1.2 is a top, front and right side perspective view.
- 1.3 is a front elevation view.
- 1.4 is a rear elevation view.
- 1.5 is a right side elevation view.

(Continued)



1.6 is a left side elevation view.

1.7 is a top plan view.

1.8 is a bottom plan view.

1 Claim, 8 Drawing Sheets

(56)

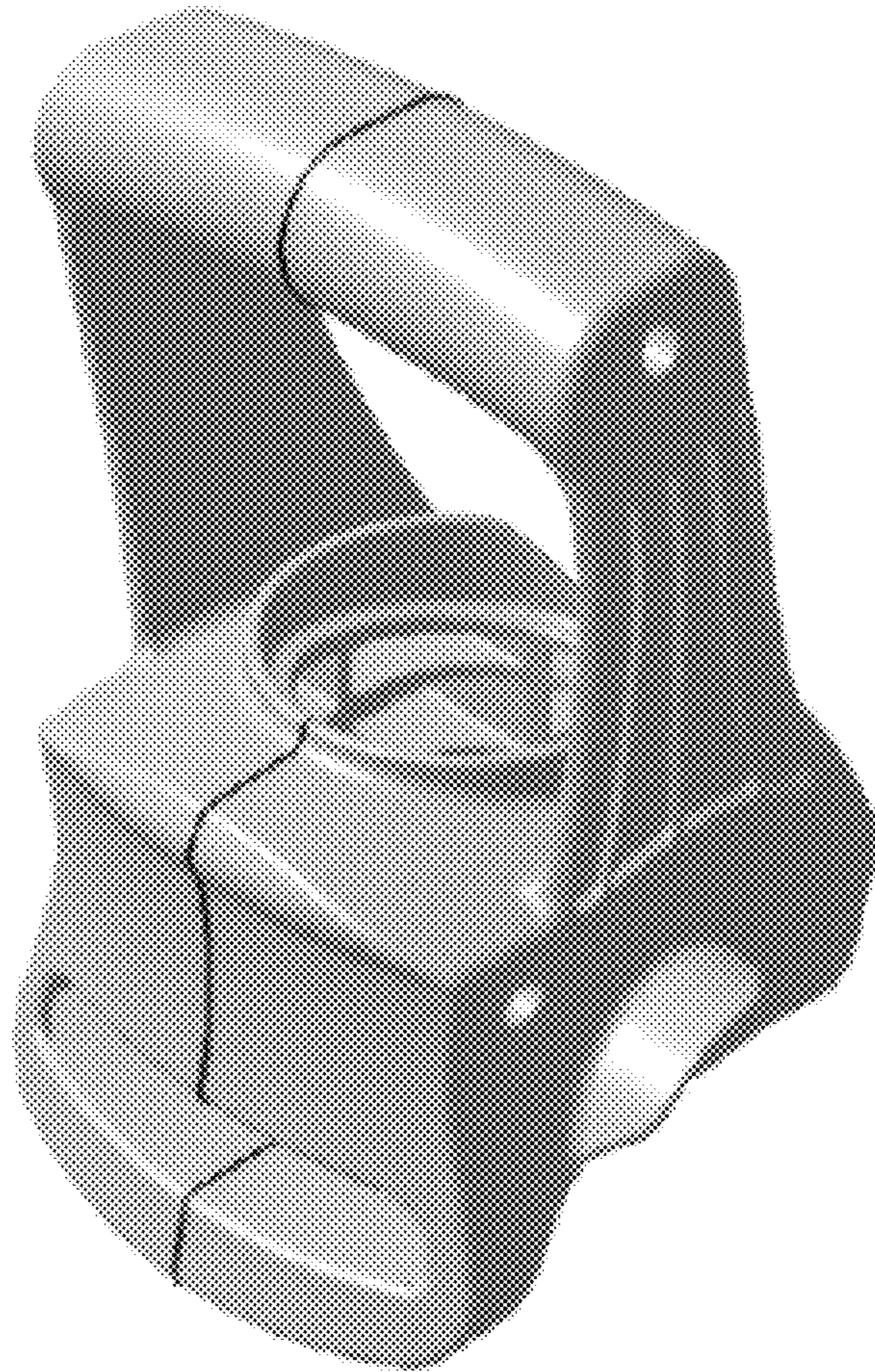
References Cited

U.S. PATENT DOCUMENTS

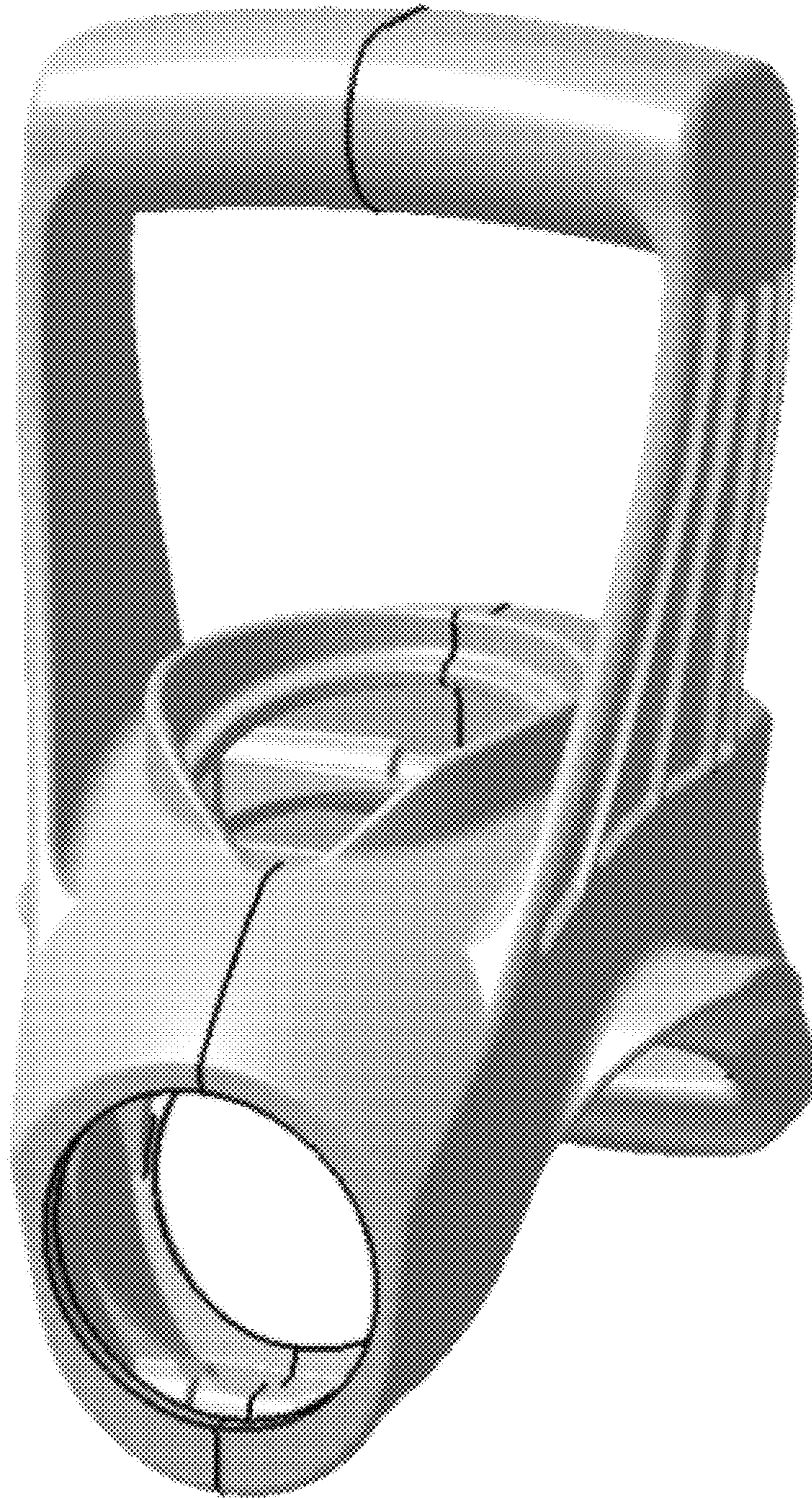
D808,713 S *	1/2018	Rane	D7/396.2
9,874,312 B2 *	1/2018	Frenal	F17C 13/06
D819,396 S *	6/2018	Seiders	D7/392.1
2007/0257498 A1 *	11/2007	Swain	F17C 13/002 294/27.1
2009/0038691 A1 *	2/2009	Birch	F16K 1/307 137/382
2009/0050218 A1 *	2/2009	Burgess	F17C 13/06 137/557
2015/0083237 A1 *	3/2015	Ligonesche	F17C 13/002 137/382
2015/0260345 A1 *	9/2015	Frenal	F17C 1/00 220/726

* cited by examiner

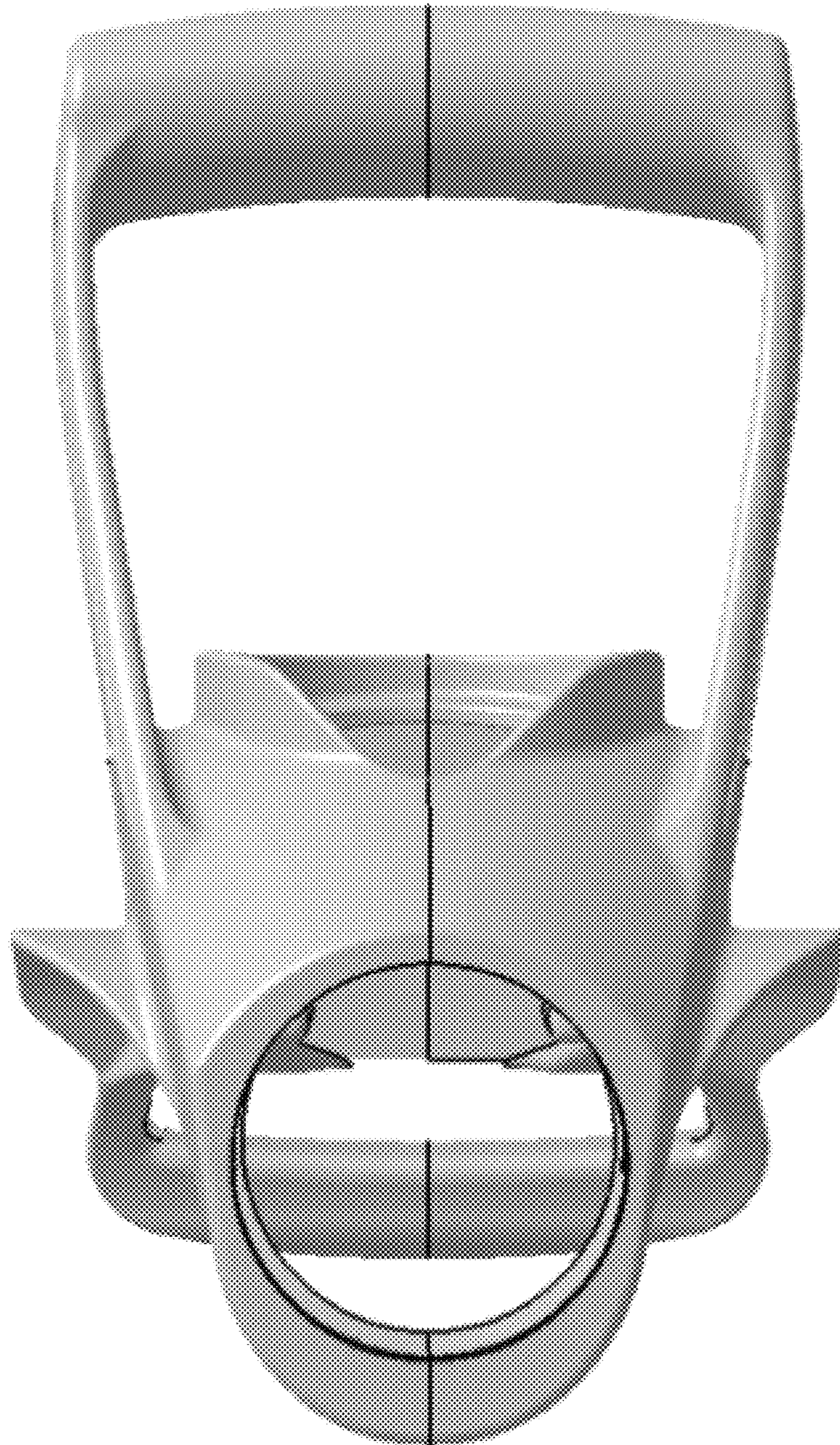
1.1



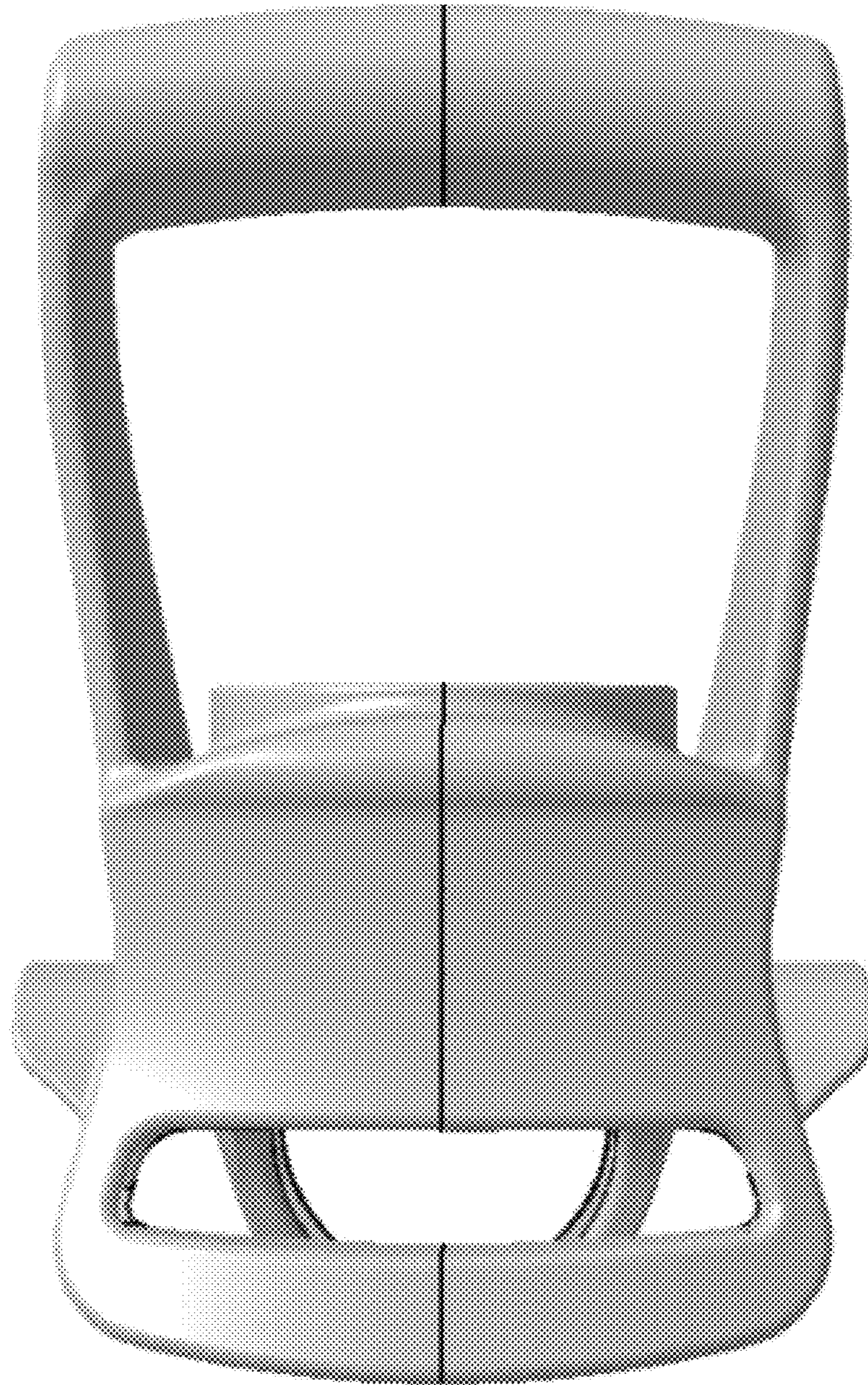
1.2



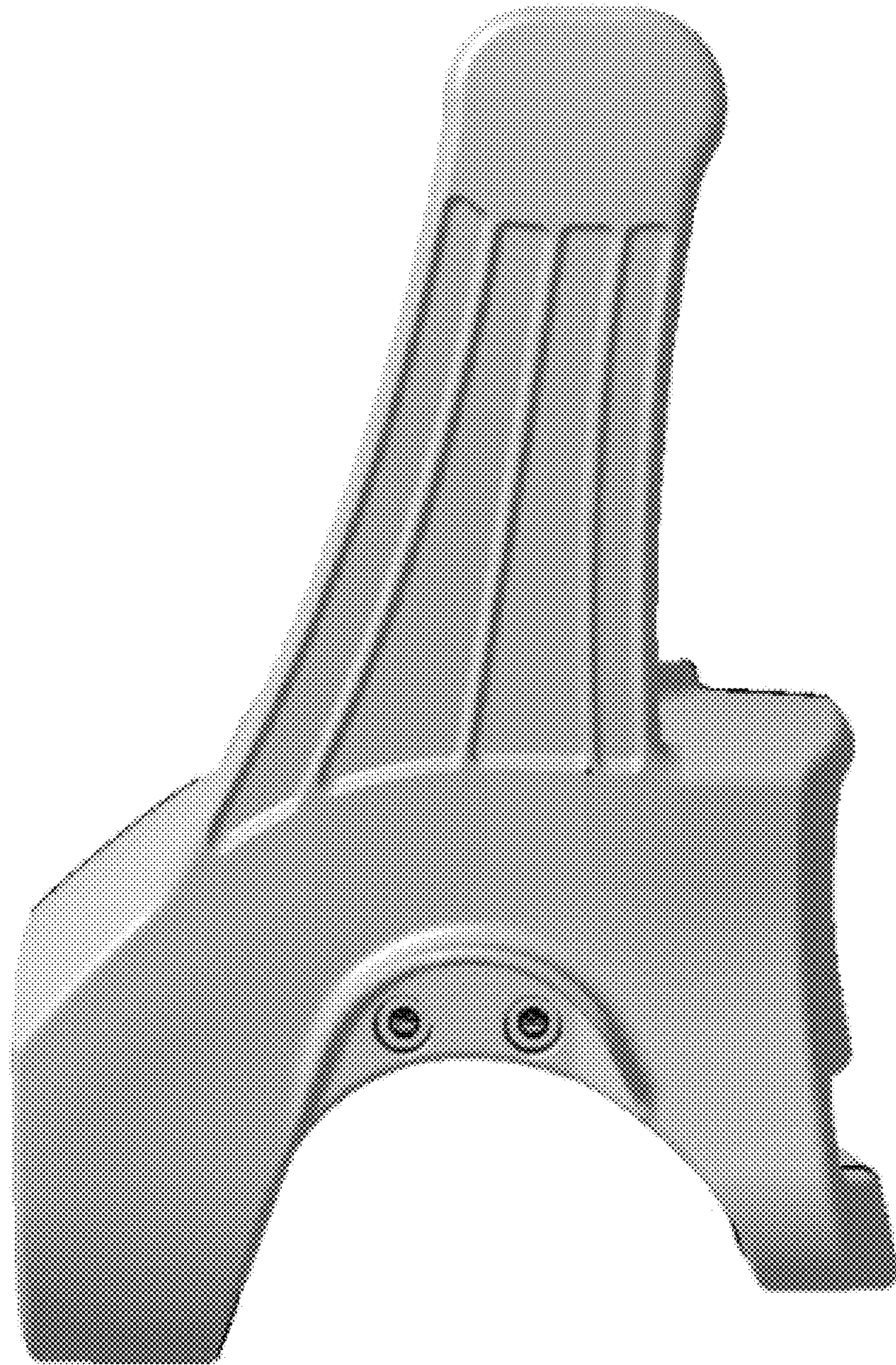
1.3



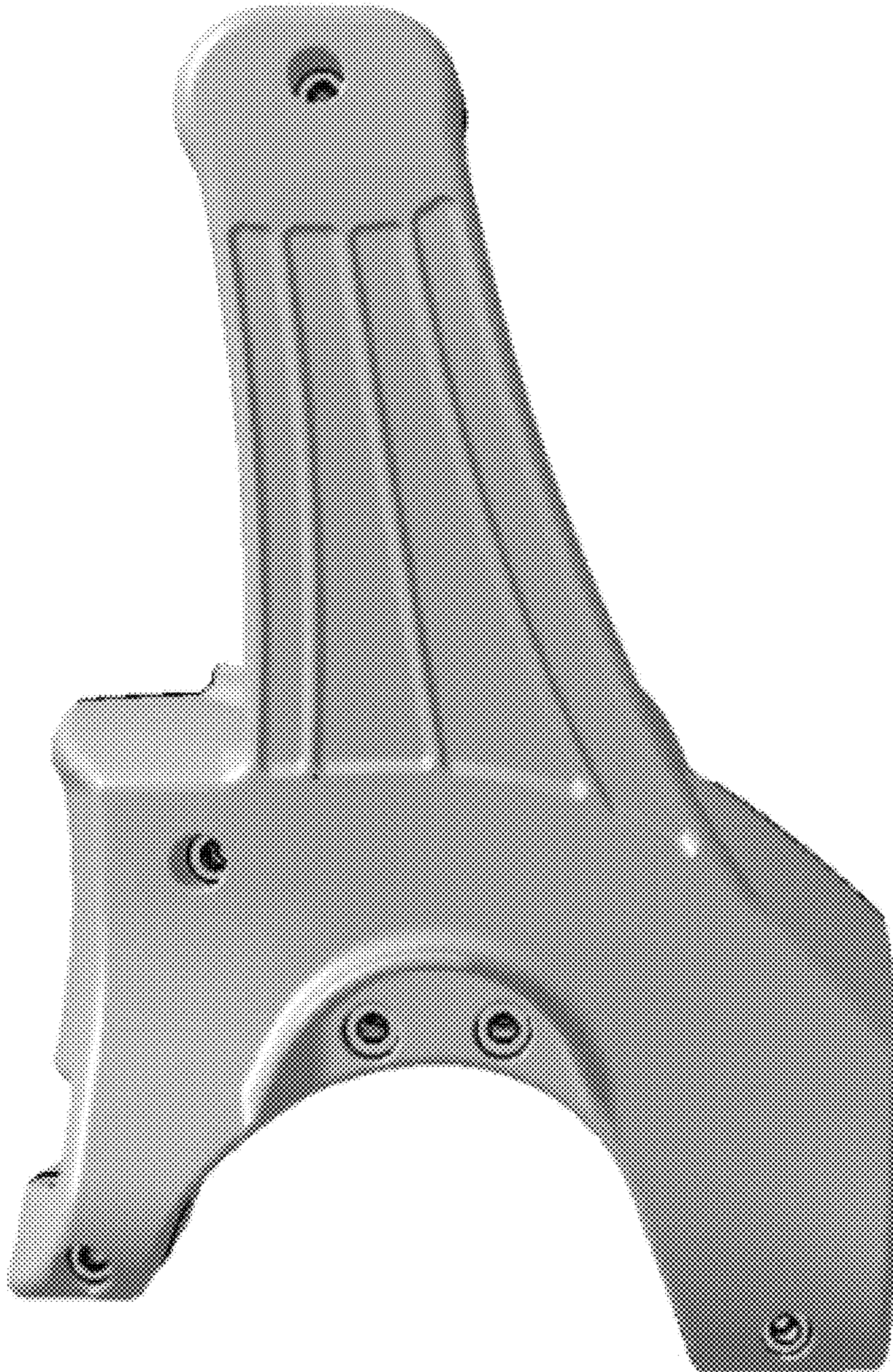
1.4



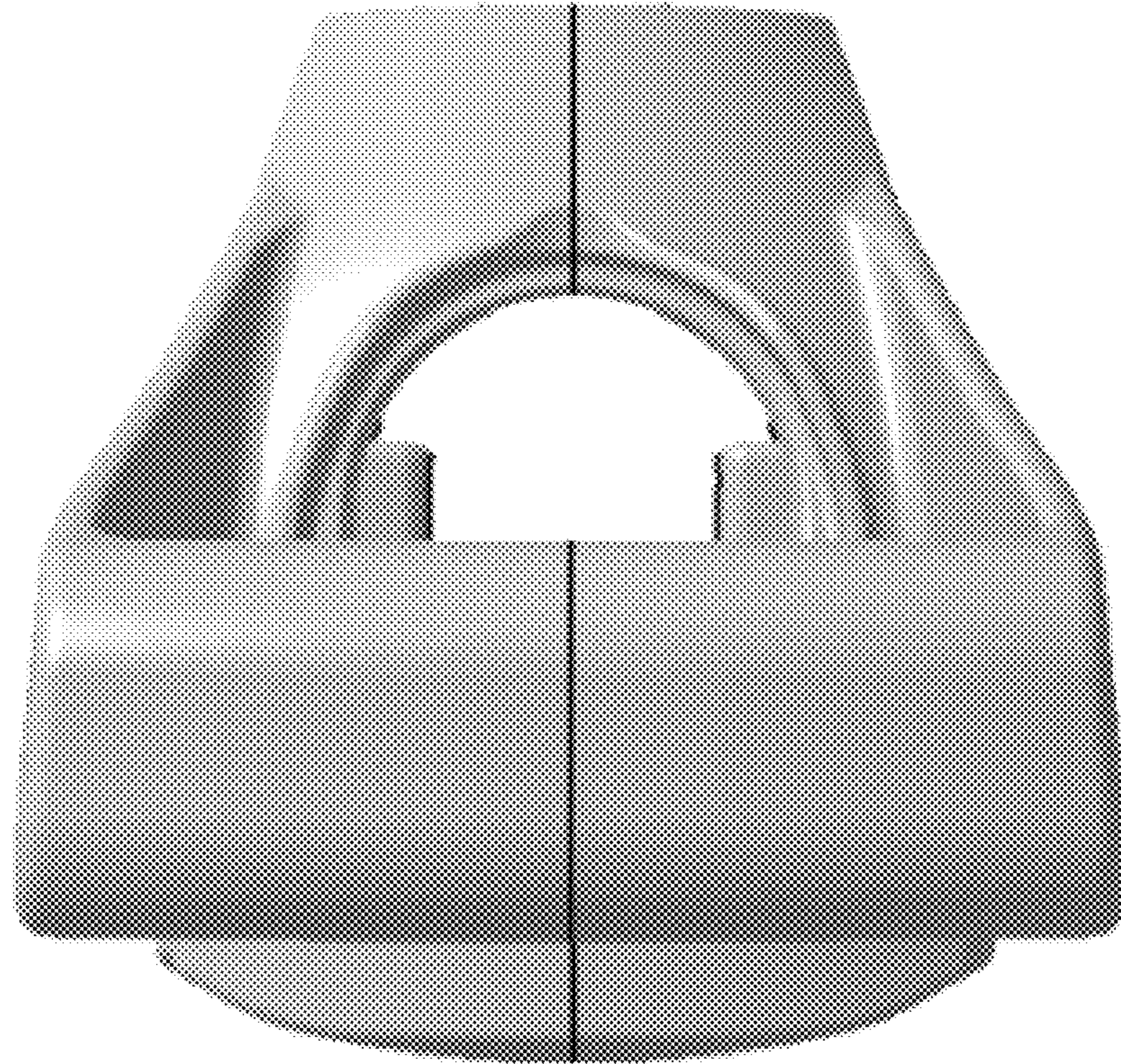
1.5



1.6



1.7



1.8

