



US00D829858S

(12) **United States Design Patent**
Sanford

(10) **Patent No.:** **US D829,858 S**

(45) **Date of Patent:** **** Oct. 2, 2018**

- (54) **INSECT TRAP TRAY**
- (71) Applicant: **1ST DEFENCE INDUSTRIES LTD.,**
Abbotsford (CA)
- (72) Inventor: **Randall Sanford,** Abbotsford (CA)
- (73) Assignee: **1st Defence Industries Ltd.,** Abbotsford,
B.C. (CA)
- (**) Term: **15 Years**
- (21) Appl. No.: **29/612,390**
- (22) Filed: **Jul. 31, 2017**
- (51) **LOC (11) Cl.** **22-06**
- (52) **U.S. Cl.**
USPC **D22/122**
- (58) **Field of Classification Search**
USPC D22/119–124; D9/435–436, 443, 445,
D9/454; 239/341, 422, 426, 549;
43/107, 112–114, 121, 124, 131, 132.1,
43/133; D7/500–501
CPC A01M 1/00; A01M 1/02; A01M 1/04;
A01M 1/06; A01M 1/10; A01M 1/14;
A01M 29/34; A01M 29/12; A01M
2200/011; A01M 1/103; A01M 1/106;
A01M 1/026; A01M 1/2011; A01M
2200/012; A01N 25/18; A42C 5/02;
A61K 8/0208; A61Q 17/02; A41D
13/001; Y02A 50/375; B05B 7/2429
See application file for complete search history.

- 2,889,998 A * 6/1959 Gallo B05B 7/2429
43/132.1
- 3,473,251 A * 10/1969 Kahn A01M 1/04
43/112
- 4,761,912 A * 8/1988 Dyer A01M 25/008
43/121
- 5,090,153 A * 2/1992 Mullen A01M 1/026
43/114
- 5,915,948 A * 6/1999 Kunze A01M 1/145
43/113
- D467,635 S * 12/2002 Andrews D22/122
- 6,920,716 B2 * 7/2005 Kollars, Jr. A01M 1/023
43/107
- 6,959,510 B1 * 11/2005 Nelson A01M 1/04
43/113
- D566,225 S * 4/2008 Cink D22/122
- D590,041 S * 4/2009 Schneidmiller D22/122
- D639,895 S * 6/2011 Schneidmiller D22/122
- D678,457 S * 3/2013 English, II D22/122

(Continued)

Primary Examiner — Catherine R Oliver-Garcia
(74) *Attorney, Agent, or Firm* — Tai Nahm; Miller
Thomson LLP

(57) **CLAIM**

The ornamental design for an insect trap tray, as shown and described.

DESCRIPTION

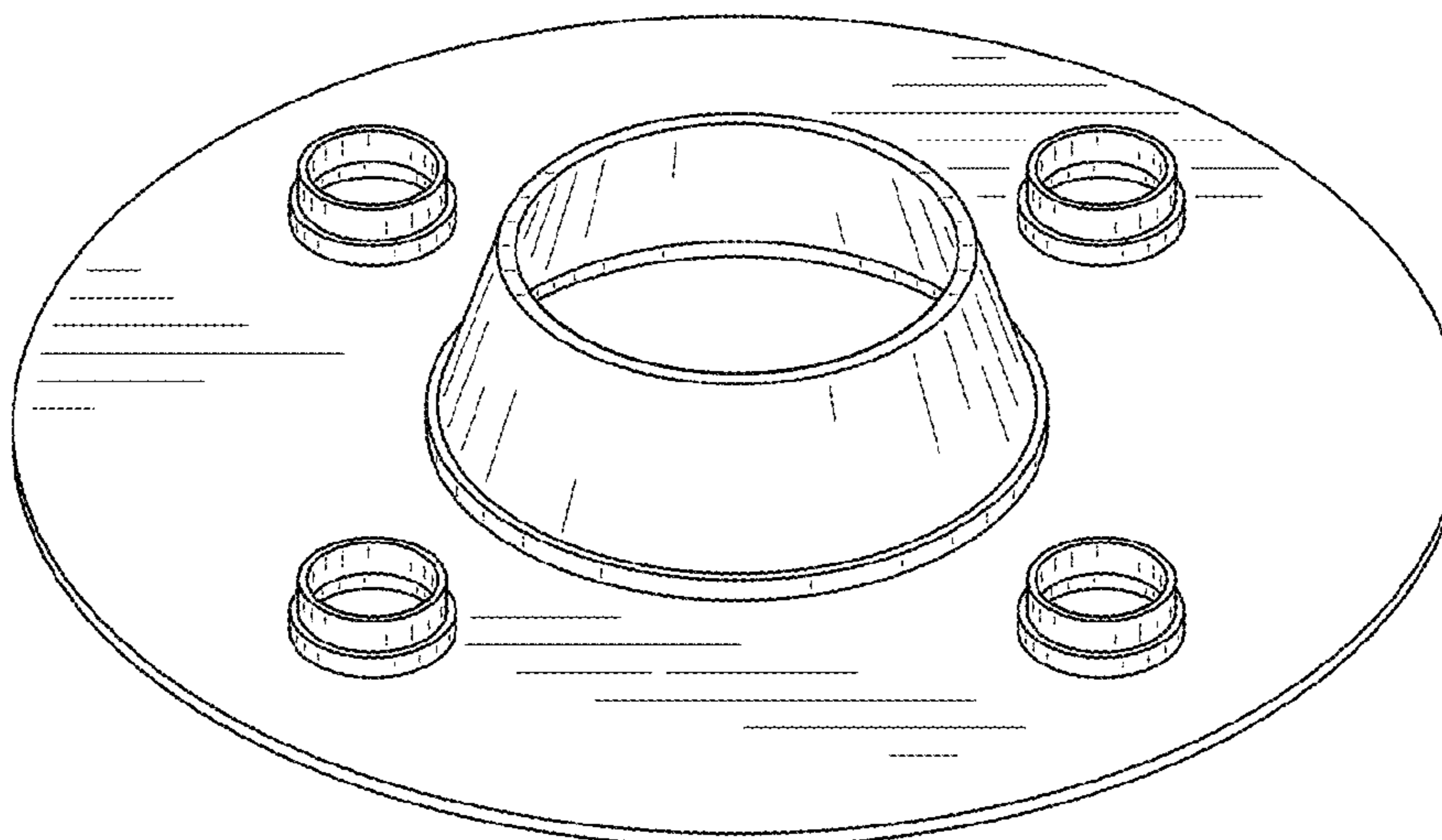
FIG. 1 is a top front perspective view of the insect trap tray; FIG. 2 is a front elevation view thereof; FIG. 3 is a rear elevation view thereof; FIG. 4 is a right elevation view thereof; FIG. 5 is a left elevation view thereof; FIG. 6 is a top view thereof; and, FIG. 7 is a bottom view thereof. The insect trap tray is adapted to be placed in a compatible insect trap.

1 Claim, 3 Drawing Sheets

(56) **References Cited**

U.S. PATENT DOCUMENTS

- 1,769,408 A * 7/1930 Andrews A01M 1/2005
43/121
- D94,771 S * 3/1935 Merdan D22/122
- 2,608,022 A * 8/1952 Wright A01M 1/04
43/112



(56)

References Cited

U.S. PATENT DOCUMENTS

D689,976 S * 9/2013 Ordaz D22/122
D757,887 S * 5/2016 Evans D22/122

* cited by examiner

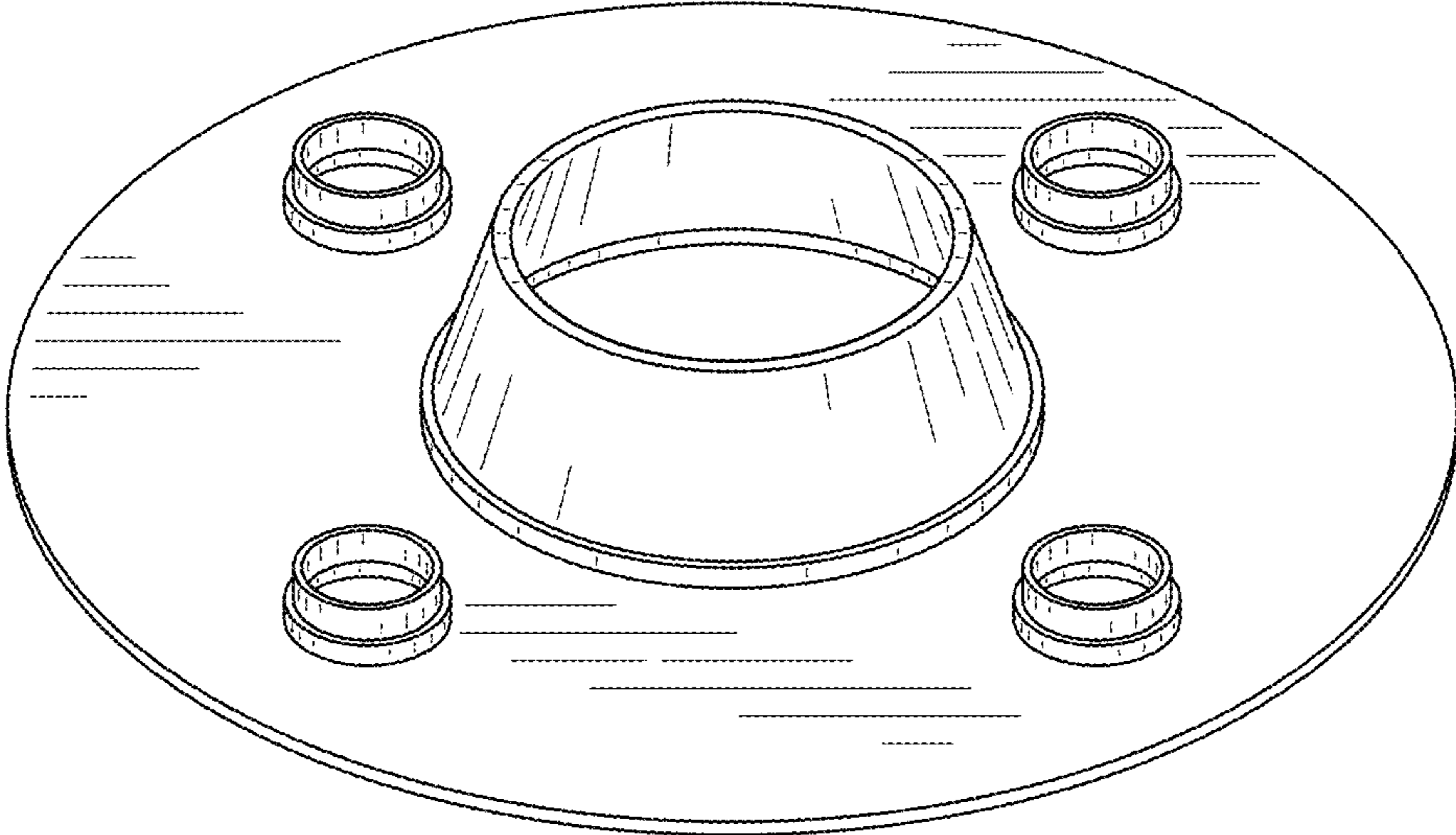


FIG. 1

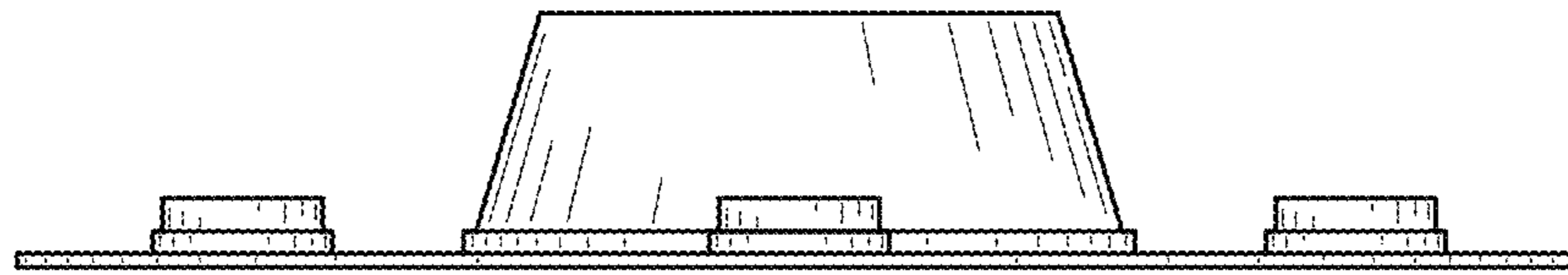


FIG. 2

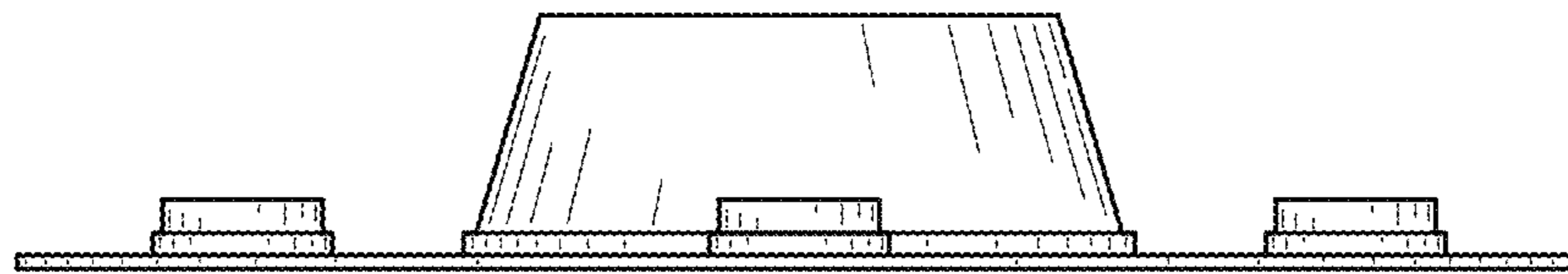


FIG. 3

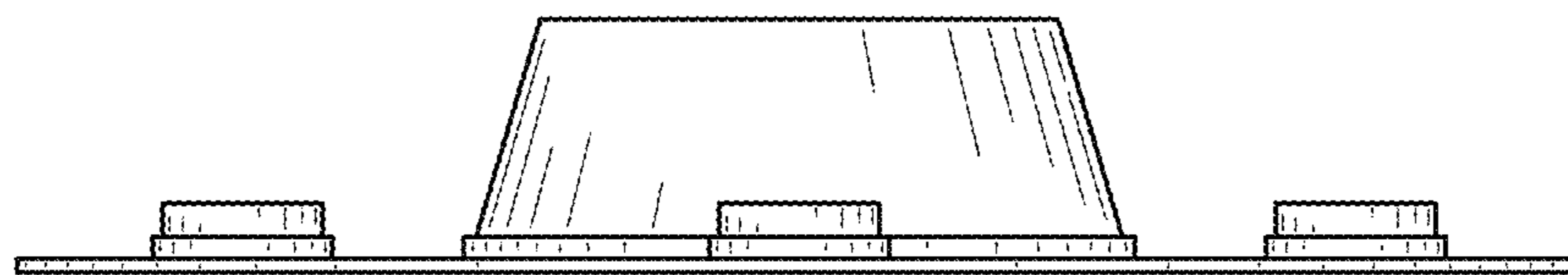


FIG. 4

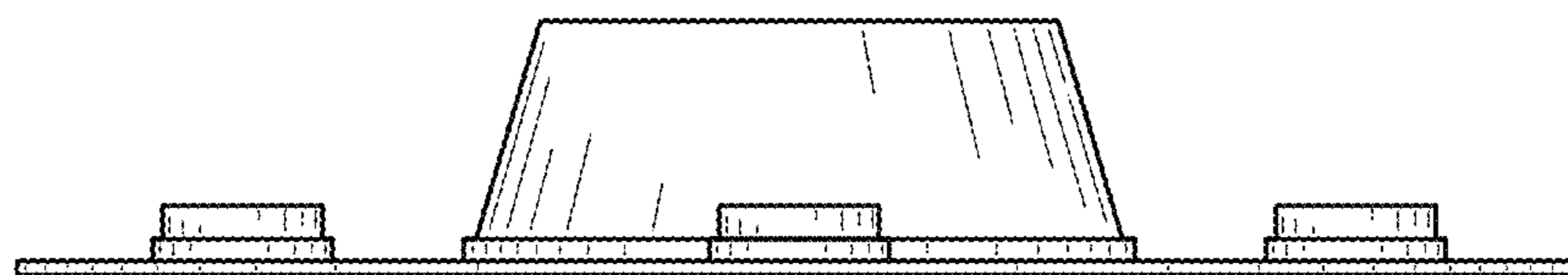


FIG. 5

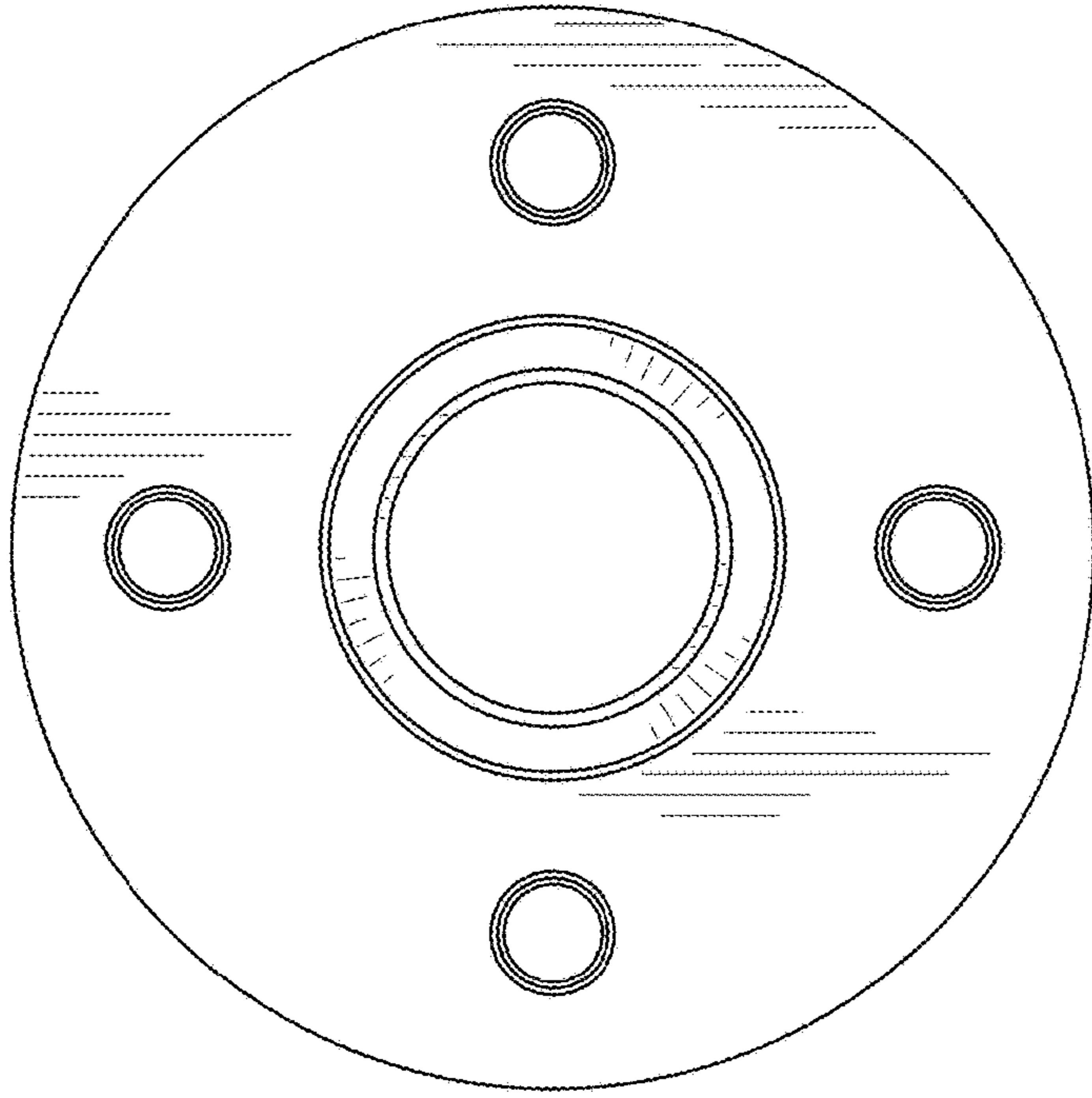


FIG. 6

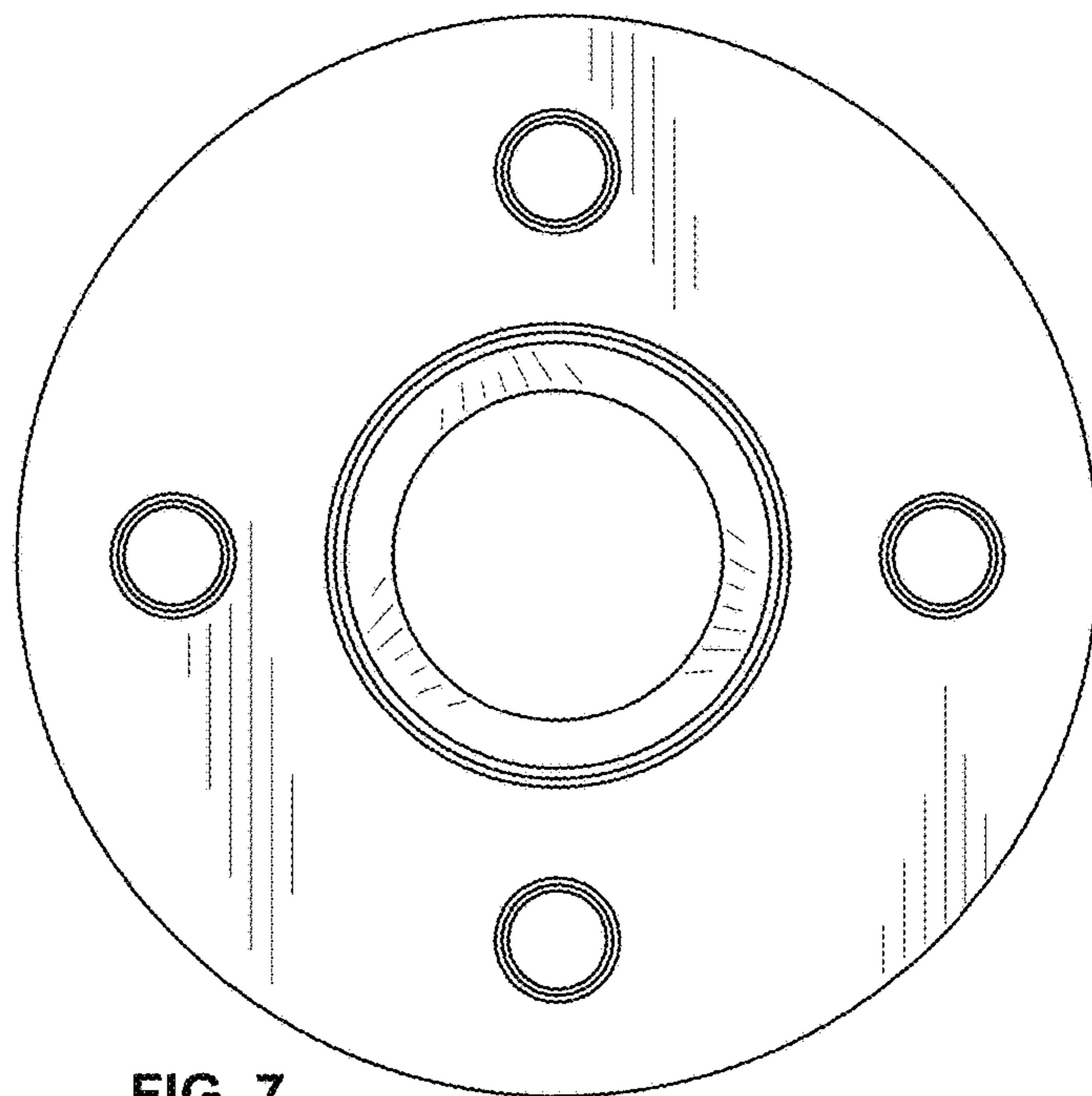


FIG. 7