



US00D829855S

(12) **United States Design Patent**
Sanford

(10) **Patent No.:** **US D829,855 S**
(45) **Date of Patent:** **** Oct. 2, 2018**

- (54) **INSECT TRAP TRAY**
- (71) Applicant: **1ST DEFENCE INDUSTRIES LTD.,**
Abbotsford (CA)
- (72) Inventor: **Randall Sanford,** Abbotsford (CA)
- (73) Assignee: **1st Defence Industries Ltd.,**
Abbotsford, B.C. (CA)
- (**) Term: **15 Years**
- (21) Appl. No.: **29/612,385**
- (22) Filed: **Jul. 31, 2017**
- (51) **LOC (11) Cl.** **22-06**
- (52) **U.S. Cl.**
USPC **D22/122**
- (58) **Field of Classification Search**
USPC D22/119–124; 43/107, 112–114, 121,
43/124, 131, 132.1, 133; D9/435–436,
D9/443, 445, 454; 239/341, 422, 426,
239/549
CPC A01M 1/00; A01M 1/10; A01M 1/04;
A01M 1/223; A01M 2200/011; A01M
1/103; A01M 1/106; A01M 1/14; A01M
1/026; A01M 29/12; A01M 1/2011; A41D
13/001; A01N 25/18; A42C 5/02; A61K
8/0208; A61Q 17/02; Y02A 50/375;
B05B 7/2429
See application file for complete search history.

3,473,251	A *	10/1969	Kahn	A01M 1/04 43/112
4,761,912	A *	8/1988	Dyer	A01M 25/008 43/121
5,090,153	A *	2/1992	Mullen	A01M 1/026 43/114
5,915,948	A *	6/1999	Kunze	A01M 1/145 43/113
D467,635	S *	12/2002	Andrews	D22/122
6,920,716	B2 *	7/2005	Kollars, Jr.	A01M 1/023 43/107
6,959,510	B1 *	11/2005	Nelson	A01M 1/04 43/113
D566,225	S *	4/2008	Cink	D22/122
D590,041	S *	4/2009	Schneidmiller	D22/122
D639,895	S *	6/2011	Schneidmiller	D22/122
D678,457	S *	3/2013	English, II	D22/122
D689,976	S *	9/2013	Ordaz	D22/122
D757,887	S *	5/2016	Evans	D22/122

* cited by examiner

Primary Examiner — Catherine R Oliver-Garcia
(74) *Attorney, Agent, or Firm* — Tai Nahm; Miller
Thomson LLP

(57) **CLAIM**

The ornamental design for an insect trap tray, as shown and described.

DESCRIPTION

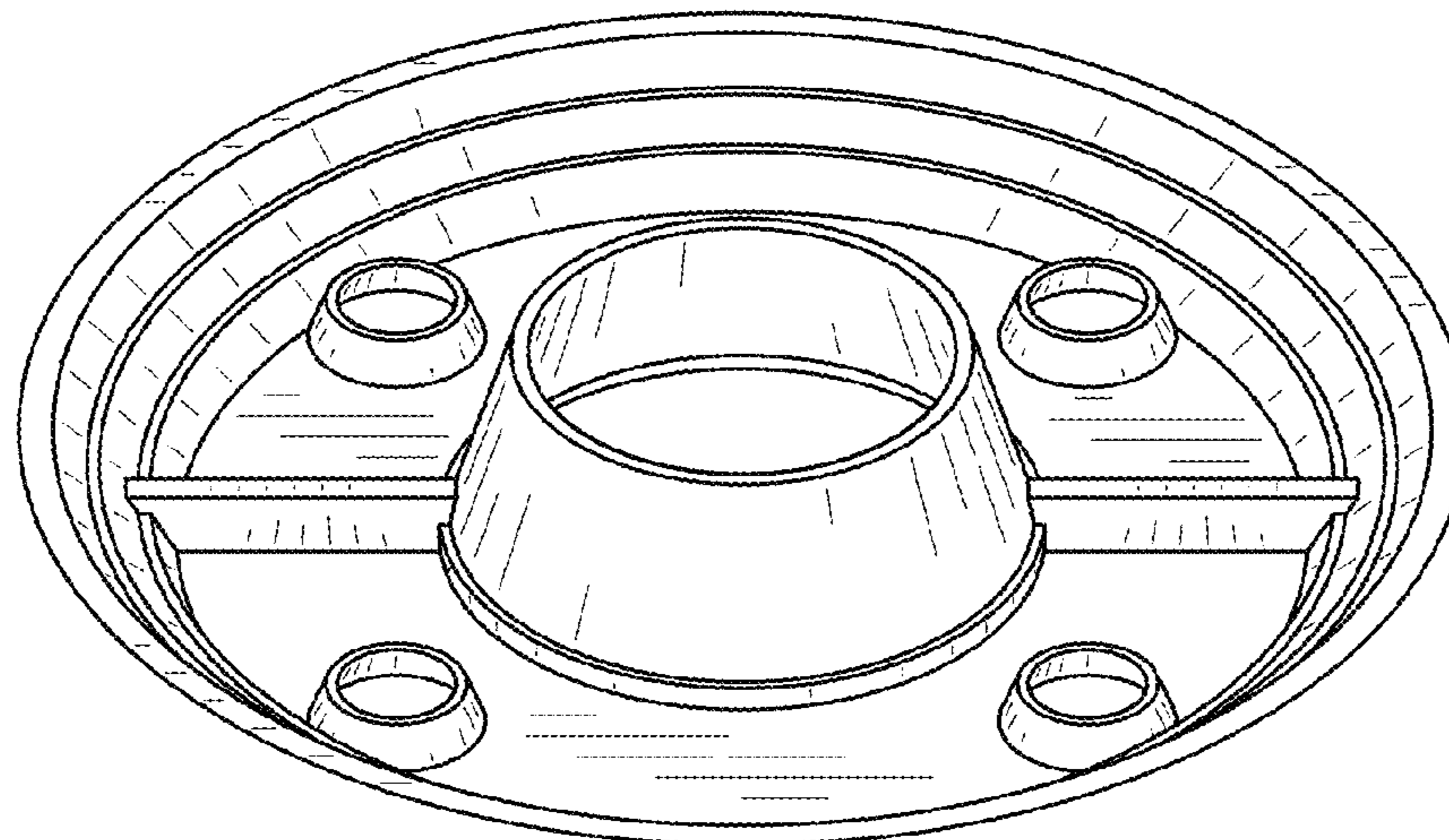
FIG. 1 is a top front perspective view of the insect trap tray; FIG. 2 is a front elevation view thereof; FIG. 3 is a rear elevation view thereof; FIG. 4 is a right elevation view thereof; FIG. 5 is a left elevation view thereof; FIG. 6 is a top view thereof; and, FIG. 7 is a bottom view thereof.

The insect trap tray is adapted to be placed in a compatible insect trap.

1 Claim, 3 Drawing Sheets

(56) **References Cited**
U.S. PATENT DOCUMENTS

1,769,408	A *	7/1930	Andrews	A01M 1/2005 43/121
D94,771	S *	5/1935	Merdan	D22/122
2,608,022	A *	8/1952	Wright	A01M 1/04 362/253
2,889,998	A *	6/1959	Gallo	B05B 7/2429 239/341



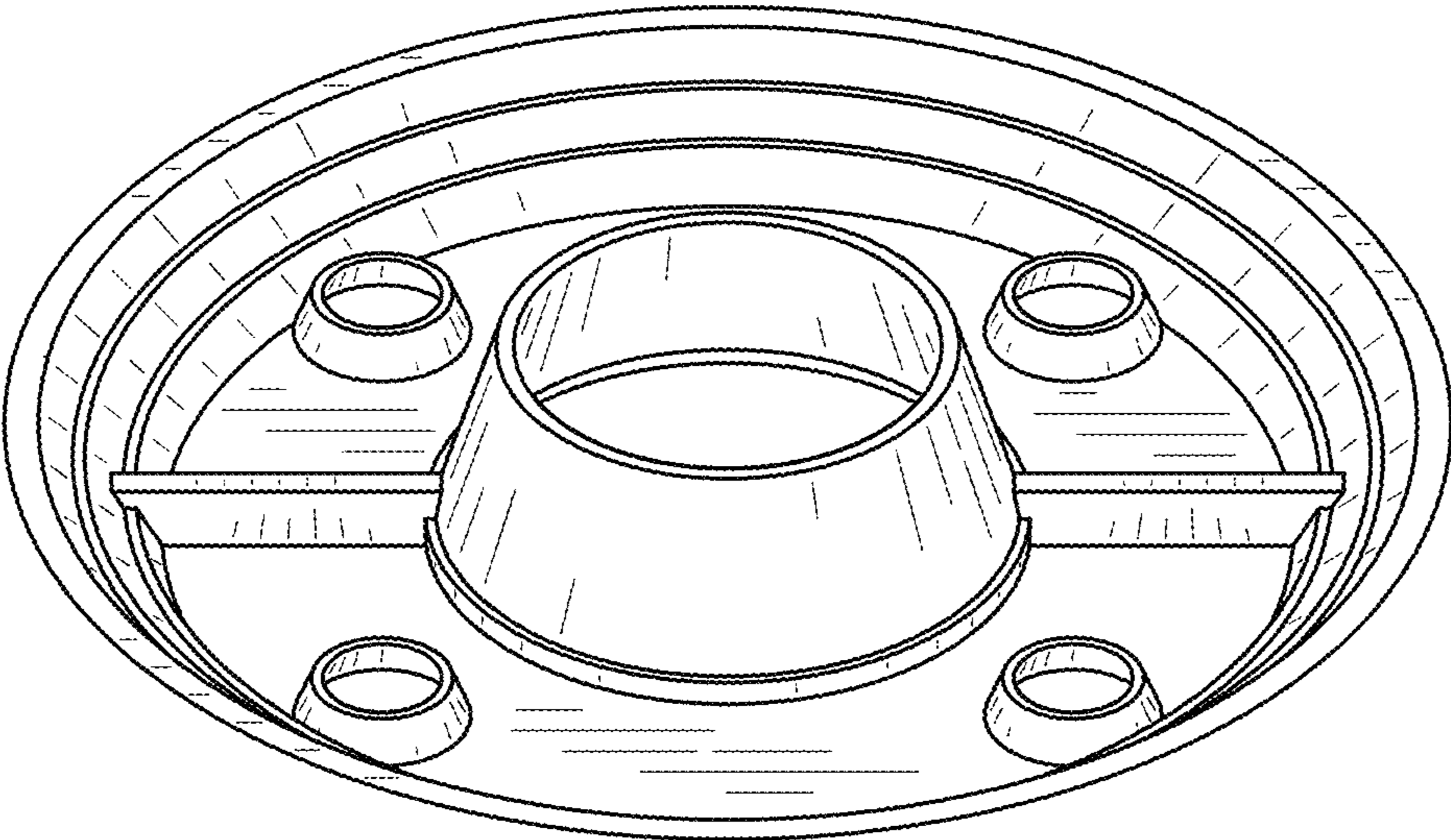


FIG. 1

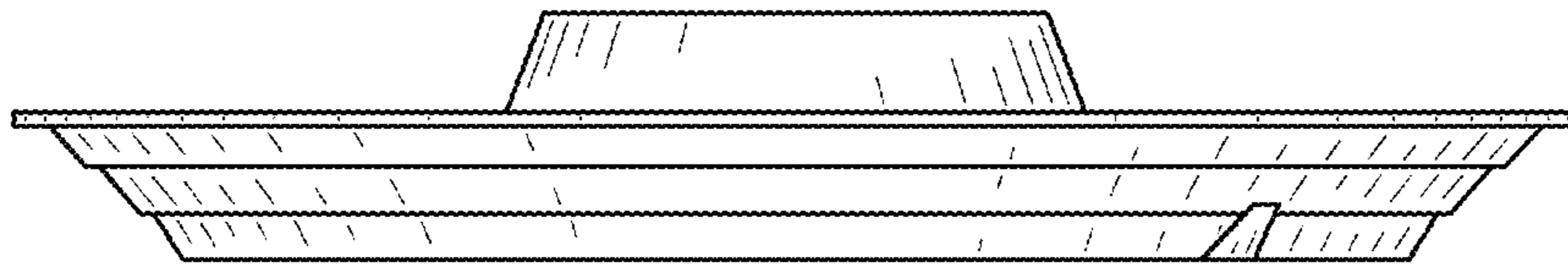


FIG. 2

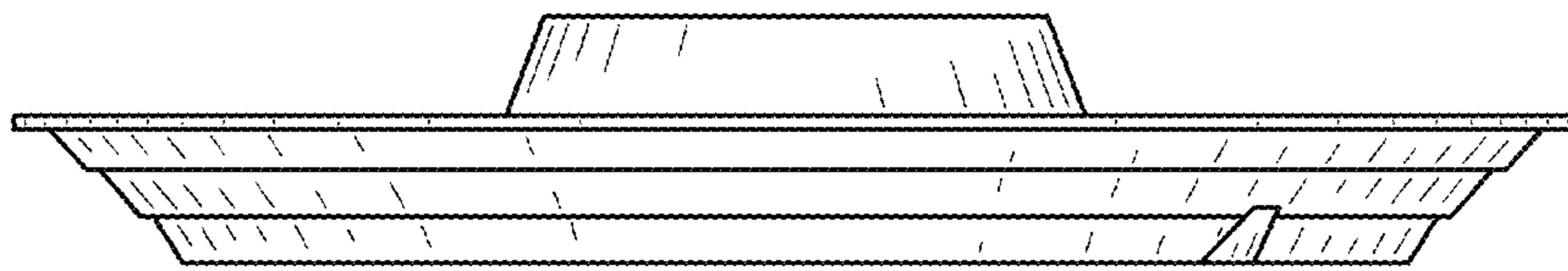


FIG. 3

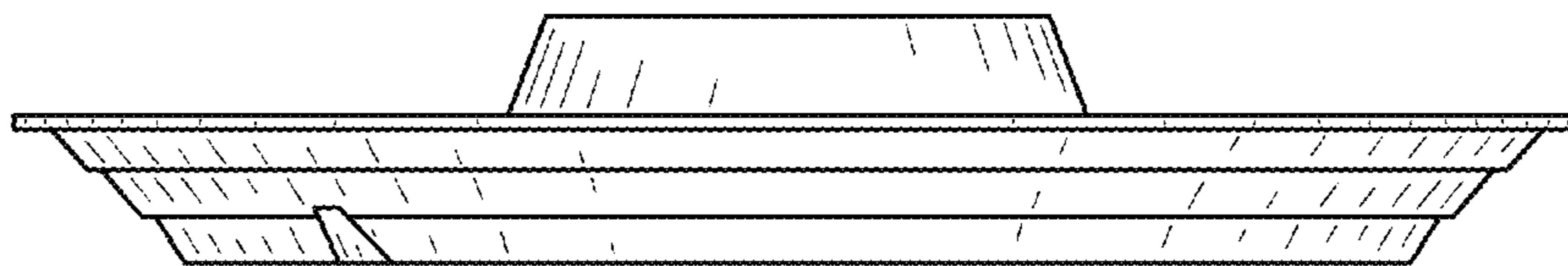


FIG. 4

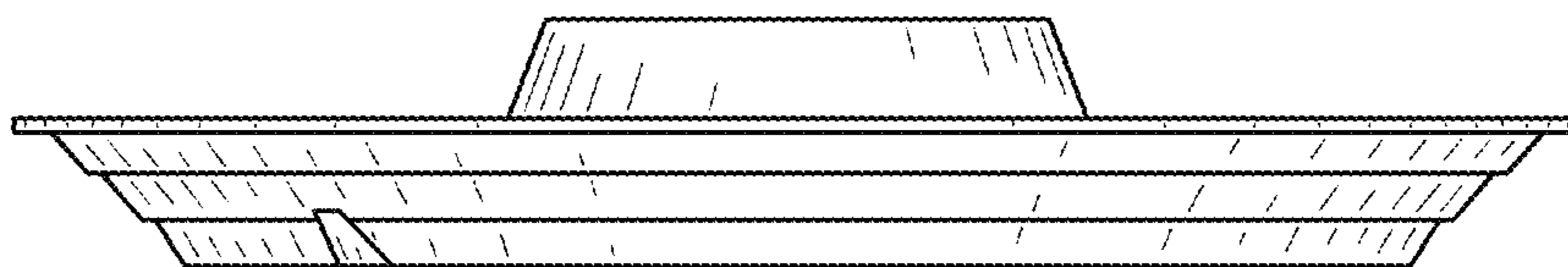


FIG. 5

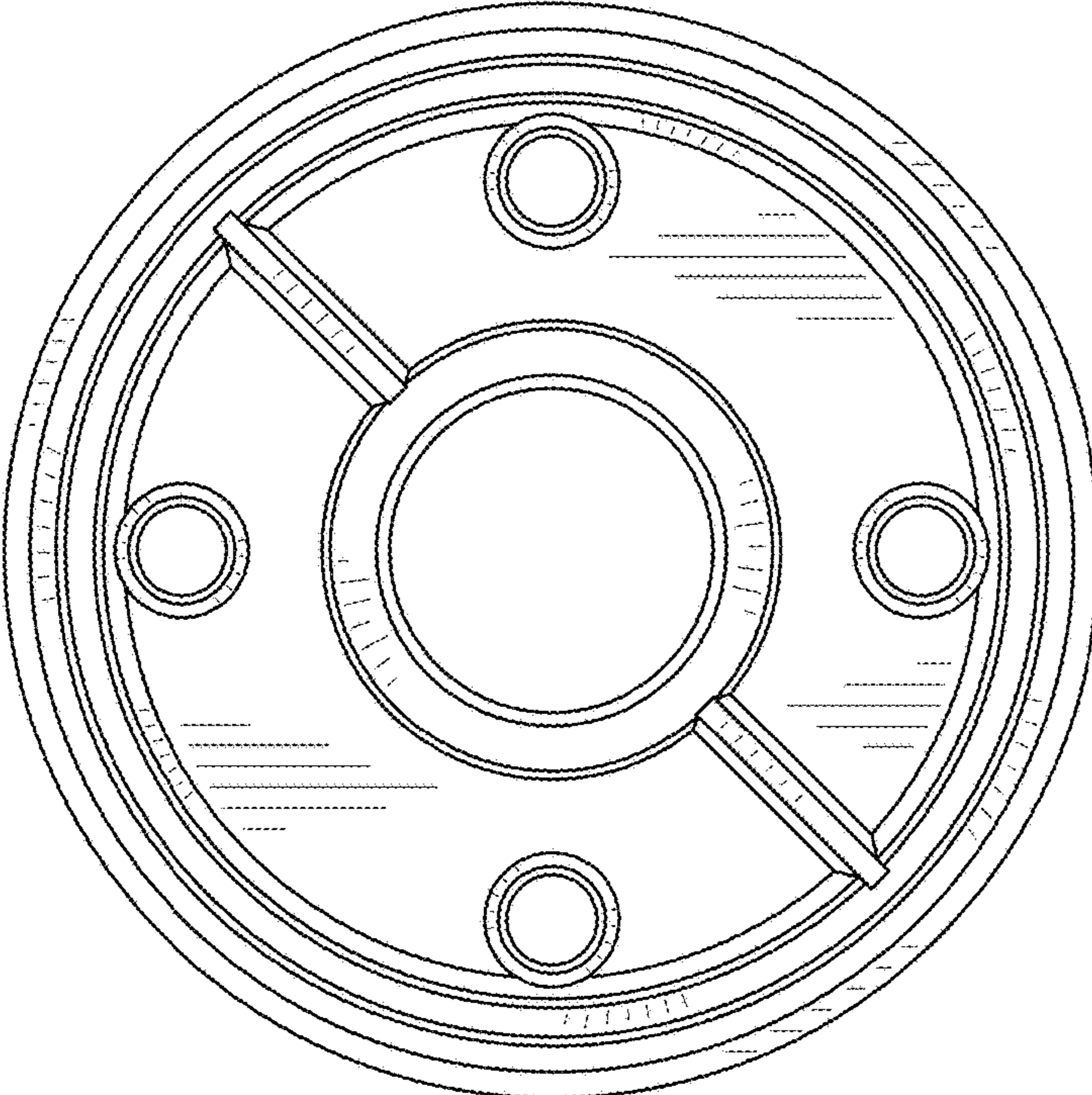


FIG. 6

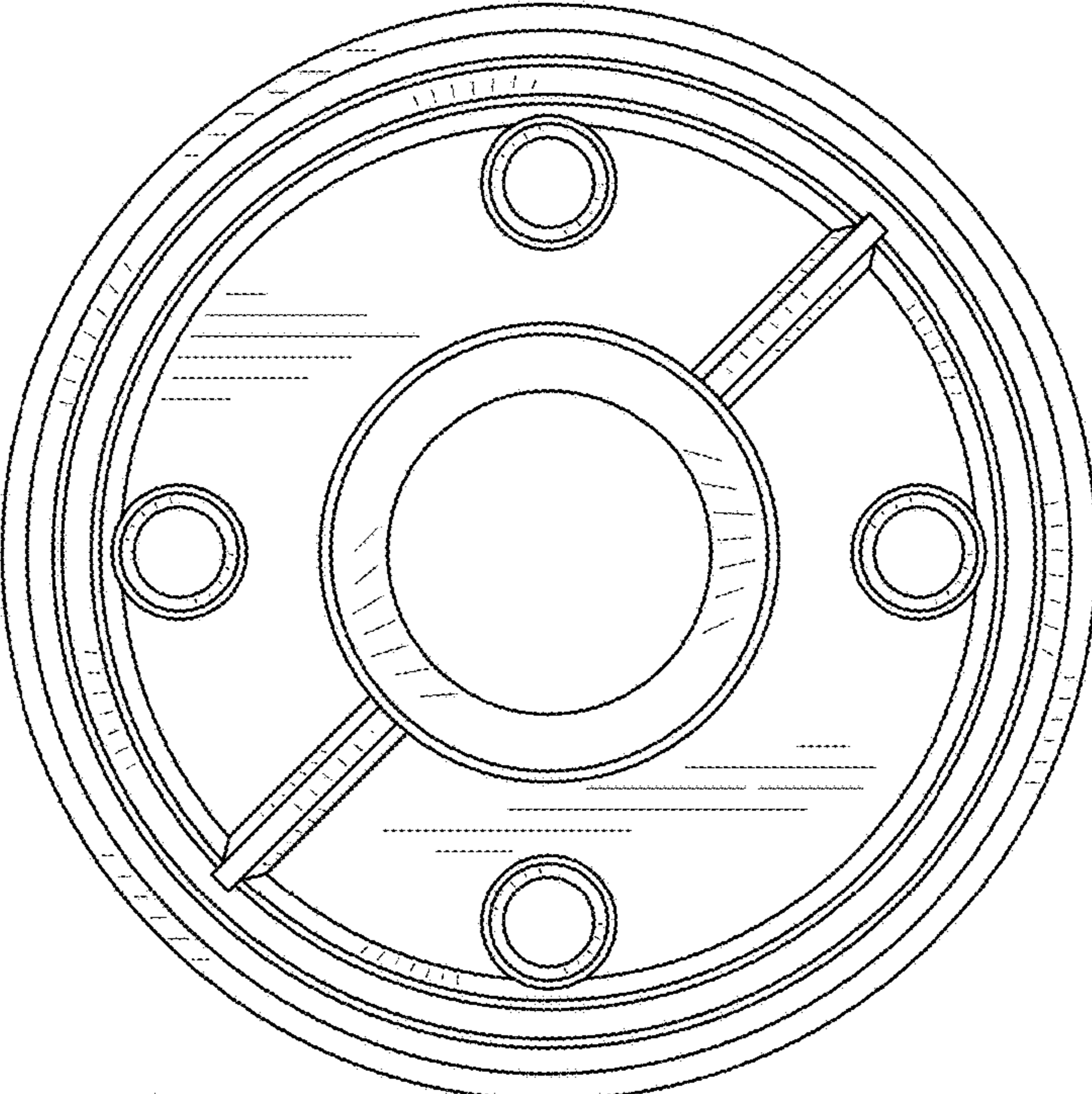


FIG. 7