



US00D829854S

(12) **United States Design Patent**
Sanford

(10) **Patent No.:** **US D829,854 S**

(45) **Date of Patent:** **** Oct. 2, 2018**

(54) **INSECT TRAP TRAY**

(71) Applicant: **1ST DEFENCE INDUSTRIES LTD.,**
Abbotsford (CA)

(72) Inventor: **Randall Sanford,** Abbotsford (CA)

(73) Assignee: **1st Denfence Industries Ltd.,**
Abbotsford, B.C. (CA)

(**) Term: **15 Years**

(21) Appl. No.: **29/612,384**

(22) Filed: **Jul. 31, 2017**

(51) **LOC (11) Cl.** **22-06**

(52) **U.S. Cl.**
USPC **D22/122**

(58) **Field of Classification Search**
USPC D22/119-124; 43/107, 109, 112, 114,
43/124, 131, 132.1, 139; D9/443, 445,
D9/435, 454, 449, 451, 453, 447;
D30/130

CPC A01M 1/04; A01M 1/103; A01M 1/106;
A01M 1/14; A01M 1/026; A01M 29/12;
A01M 1/2011; A01M 29/34; A01M 1/10
See application file for complete search history.

(56) **References Cited**

U.S. PATENT DOCUMENTS

57,338 A * 8/1866 Lake A01M 29/34
43/109
134,444 A * 12/1872 Stell A01M 1/10
43/121

D105,812 S * 8/1937 Siekert D30/130
D262,069 S * 11/1981 Khider D30/130
D335,940 S * 5/1993 McGrath D22/122
D357,355 S * 4/1995 Demarest D22/122
D779,325 S * 2/2017 Vigoureux D9/443
D811,516 S * 2/2018 White D22/122

* cited by examiner

Primary Examiner — Catherine R Oliver-Garcia

(74) *Attorney, Agent, or Firm* — Tai Nahm; Miller
Thomson LLP

(57) **CLAIM**

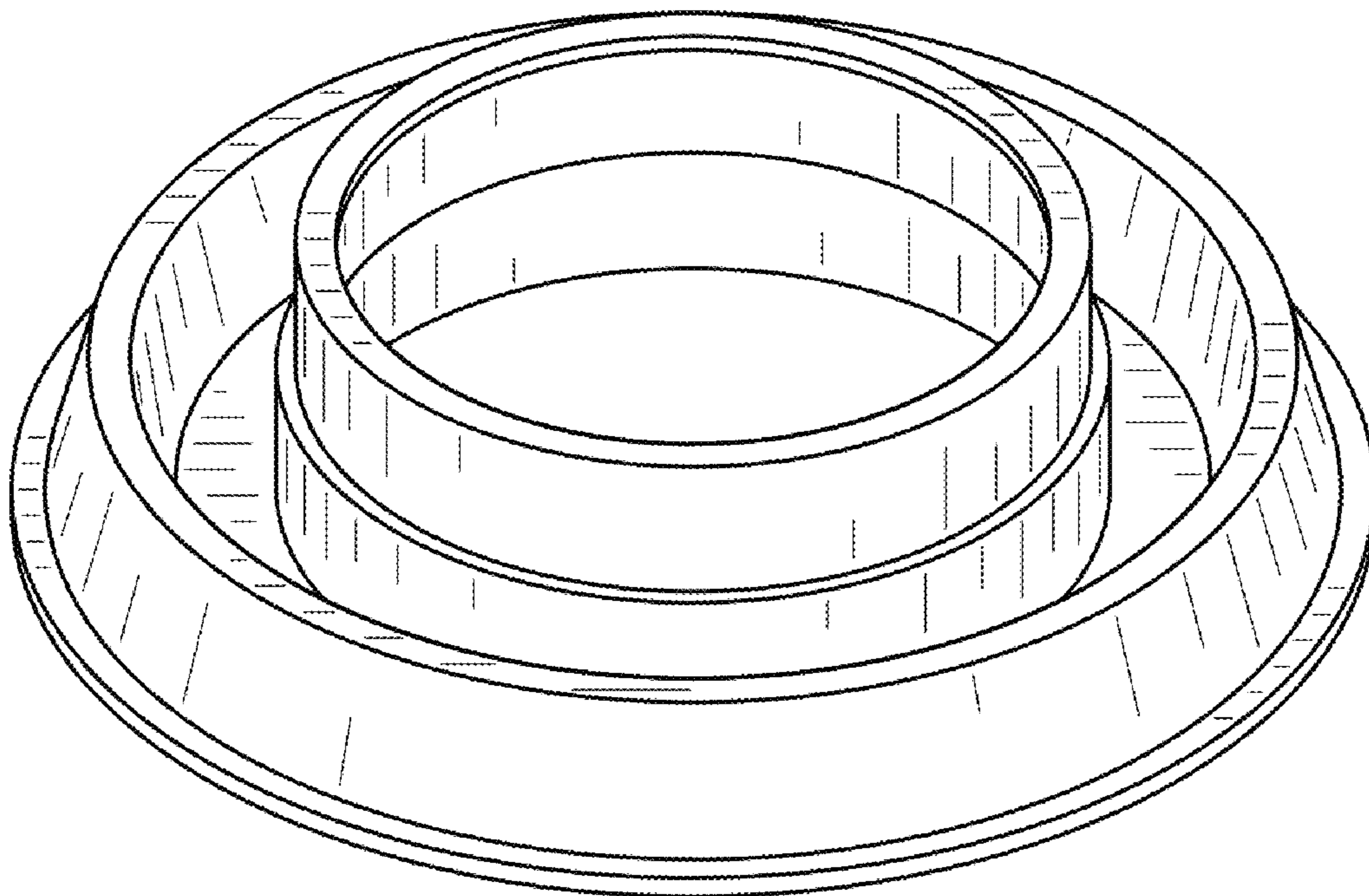
The ornamental design for an insect trap tray, as shown and described.

DESCRIPTION

FIG. 1 is a top perspective view of the insect trap tray;
FIG. 2 is a front elevation view thereof;
FIG. 3 is a rear elevation view thereof;
FIG. 4 is a right elevation view thereof;
FIG. 5 is a left elevation view thereof;
FIG. 6 is a top plan view thereof; and,
FIG. 7 is a bottom plan view thereof.

The insect trap tray is adapted to be placed in a compatible insect trap.

1 Claim, 3 Drawing Sheets



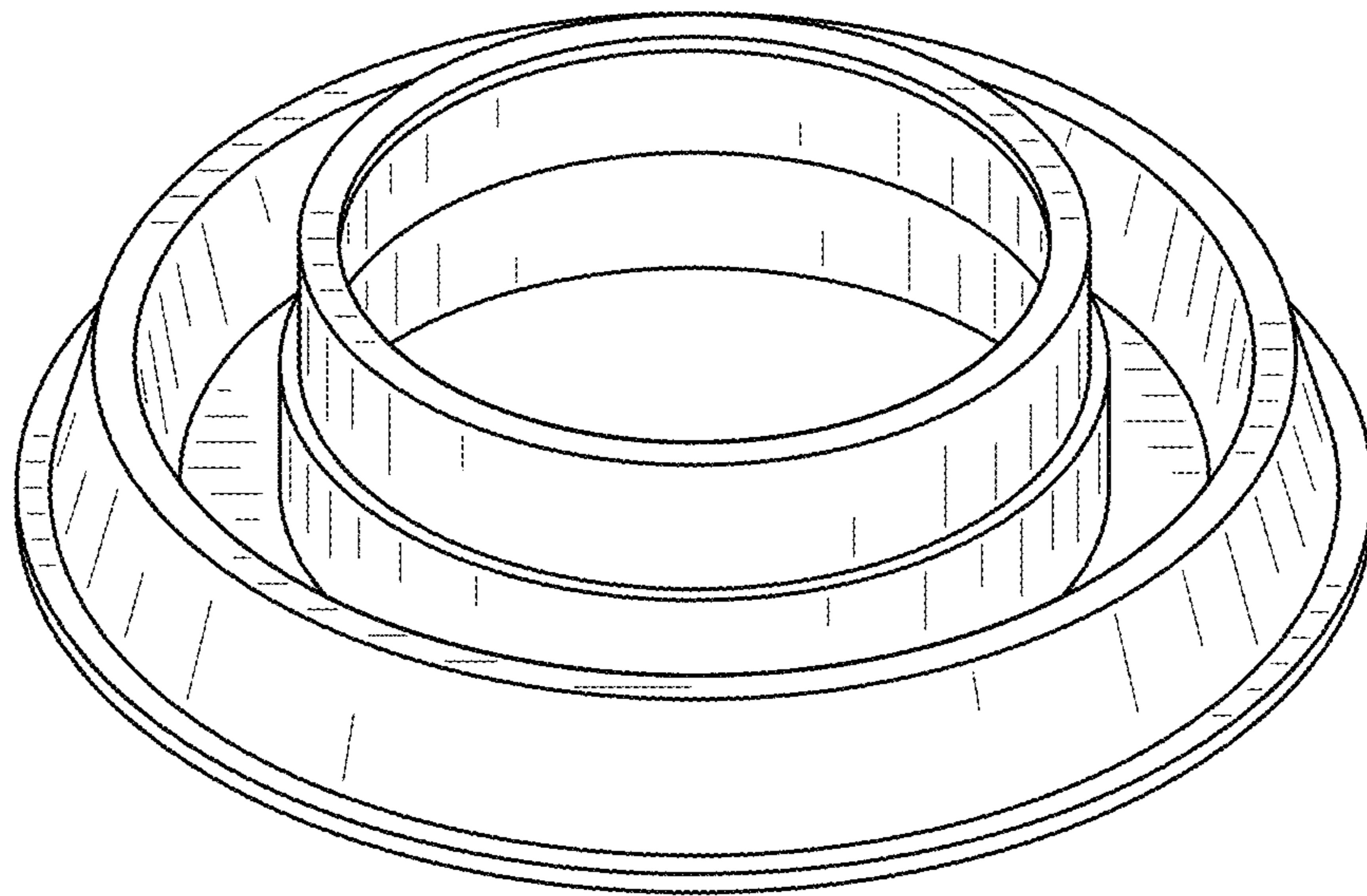


FIG. 1

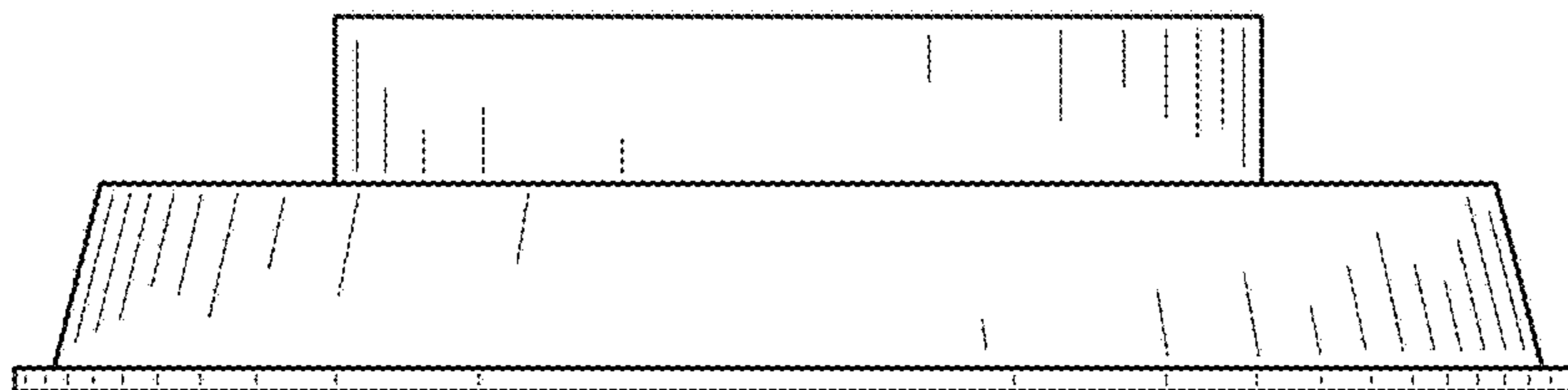


FIG. 2

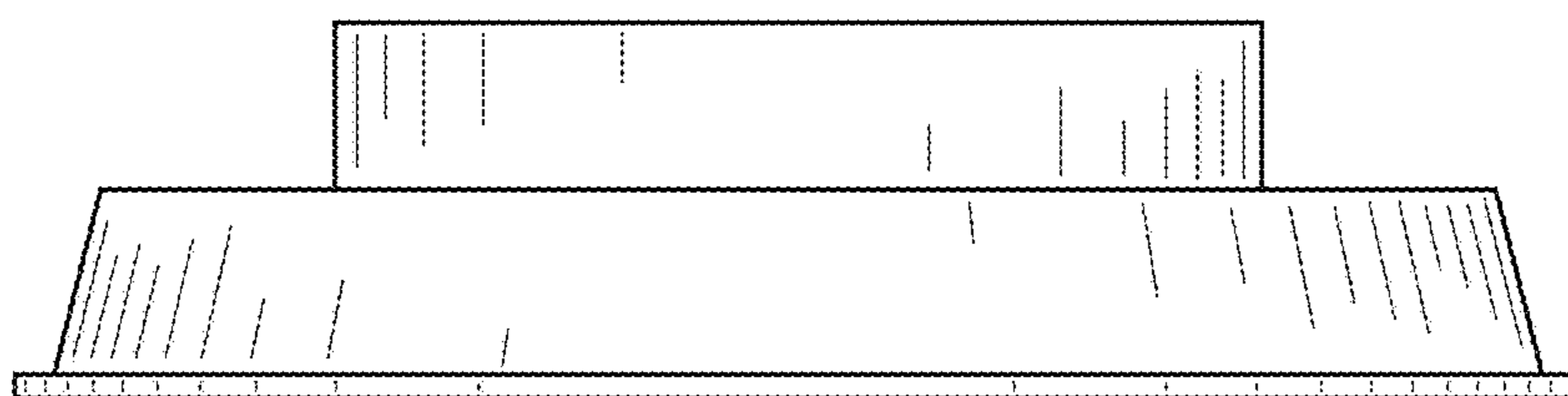


FIG. 3

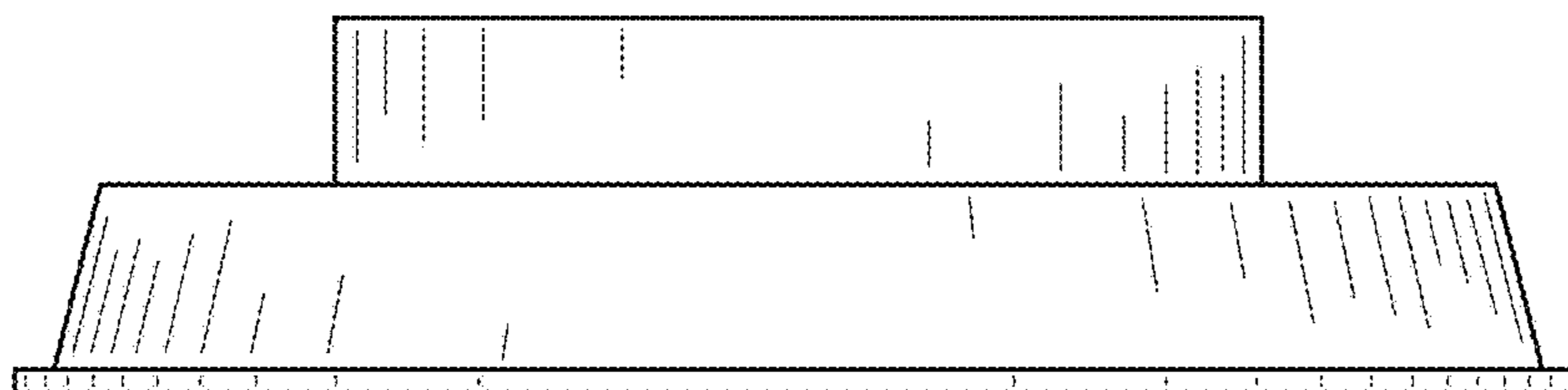


FIG. 4

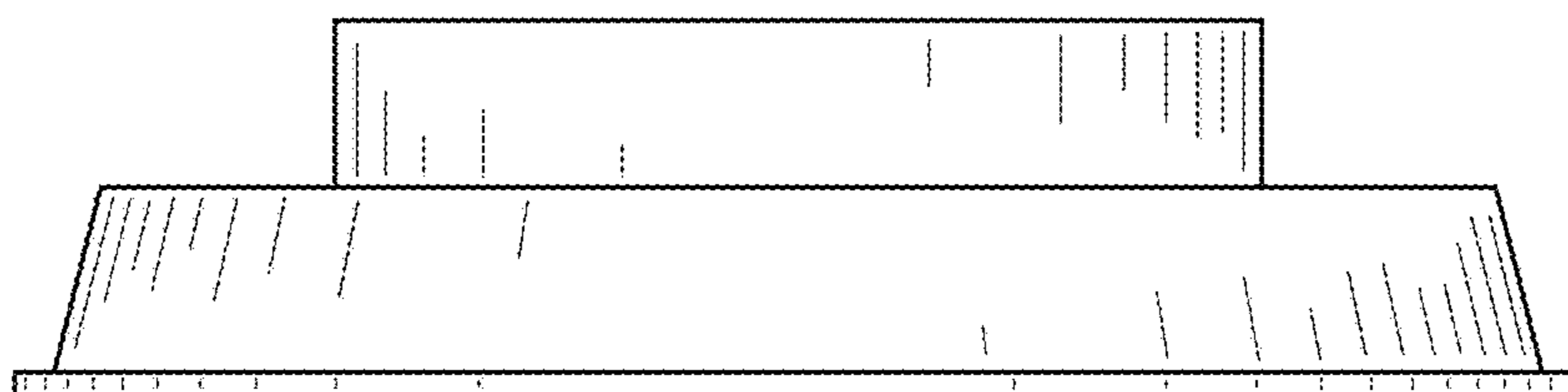


FIG. 5

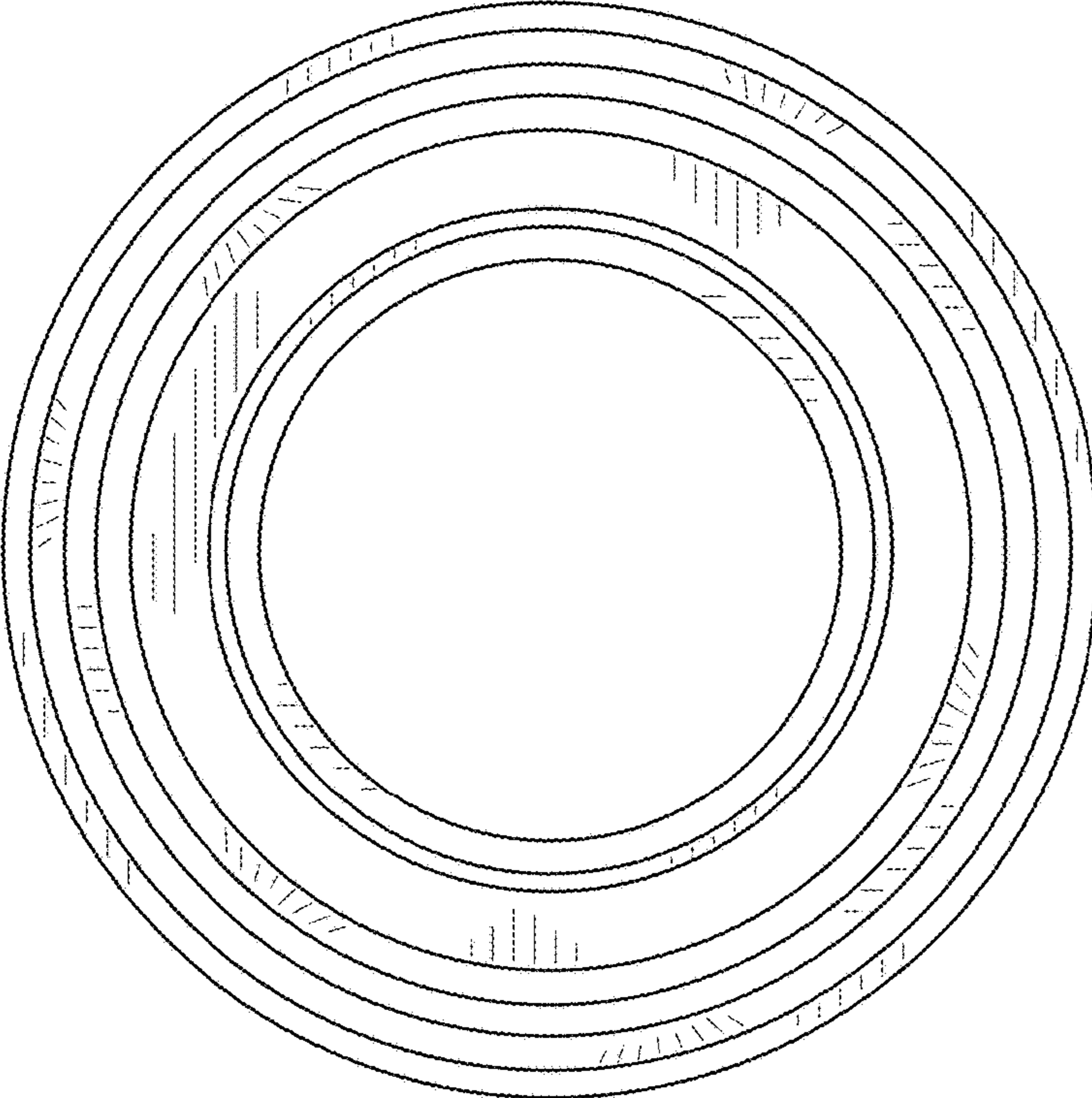


FIG. 6

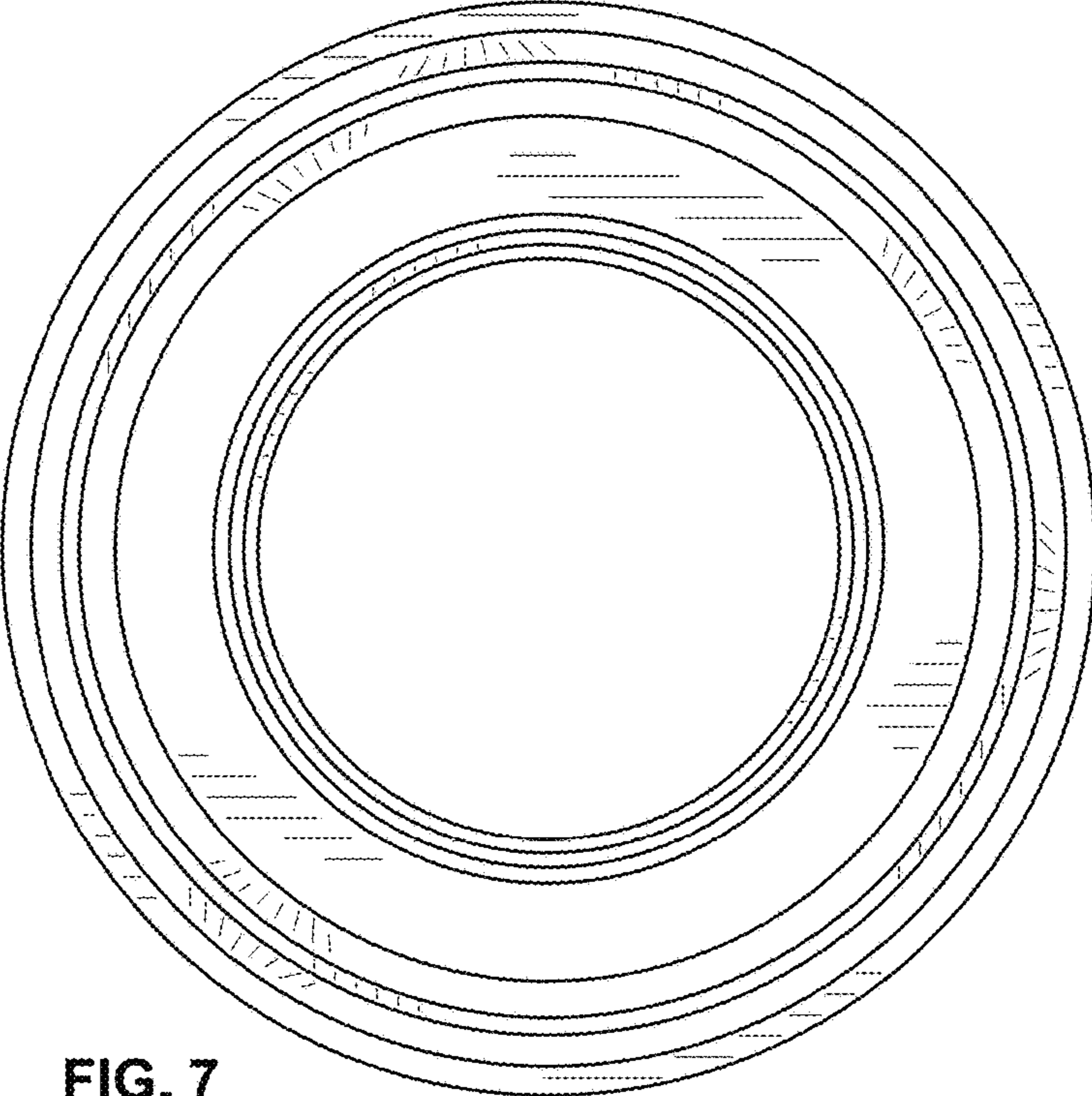


FIG. 7