



US00D829853S

(12) **United States Design Patent**
Sanford

(10) **Patent No.:** **US D829,853 S**

(45) **Date of Patent:** **** Oct. 2, 2018**

(54) **INSECT TRAP BASE**

4,823,506 A * 4/1989 Demarest A01M 1/2005
43/107

(71) Applicant: **1ST DEFENCE INDUSTRIES LTD.,**
Abbotsford (CA)

D335,521 S * 5/1993 Petersen D22/119

D336,506 S * 6/1993 Petersen D22/119

D590,041 S * 4/2009 Schneidmiller D22/122

(72) Inventor: **Randall Sanford,** Abbotsford (CA)

* cited by examiner

(73) Assignee: **1st Defence Industries Ltd.,**
Abbotsford, B.C. (CA)

Primary Examiner — Catherine R Oliver-Garcia

(74) *Attorney, Agent, or Firm* — Tai Nahm; Miller
Thomson LLP

(**) Term: **15 Years**

(21) Appl. No.: **29/612,363**

(22) Filed: **Jul. 31, 2017**

(57) **CLAIM**

(51) **LOC (11) Cl.** **22-06**

The ornamental design for an insect trap base shown and described.

(52) **U.S. Cl.**

USPC **D22/122**

(58) **Field of Classification Search**

USPC D22/119–124; 43/107, 109, 112–114,
43/121, 124, 131, 132.1, 139; D9/443,
D9/445, 435–436, 454

CPC A01M 1/04; A01M 1/103; A01M 1/106;
A01M 1/14; A01M 1/026; A01M 29/12;
A01M 1/2011; A01M 1/2005

See application file for complete search history.

DESCRIPTION

FIG. 1 is a top perspective view of the insect trap base;

FIG. 2 is a front elevation view thereof;

FIG. 3 is a rear elevation view thereof;

FIG. 4 is a right elevation view thereof;

FIG. 5 is a left elevation view thereof;

FIG. 6 is a top plan view thereof; and,

FIG. 7 is a bottom plan view thereof.

The insect trap base is adapted to be placed below a compatible insect trap lid.

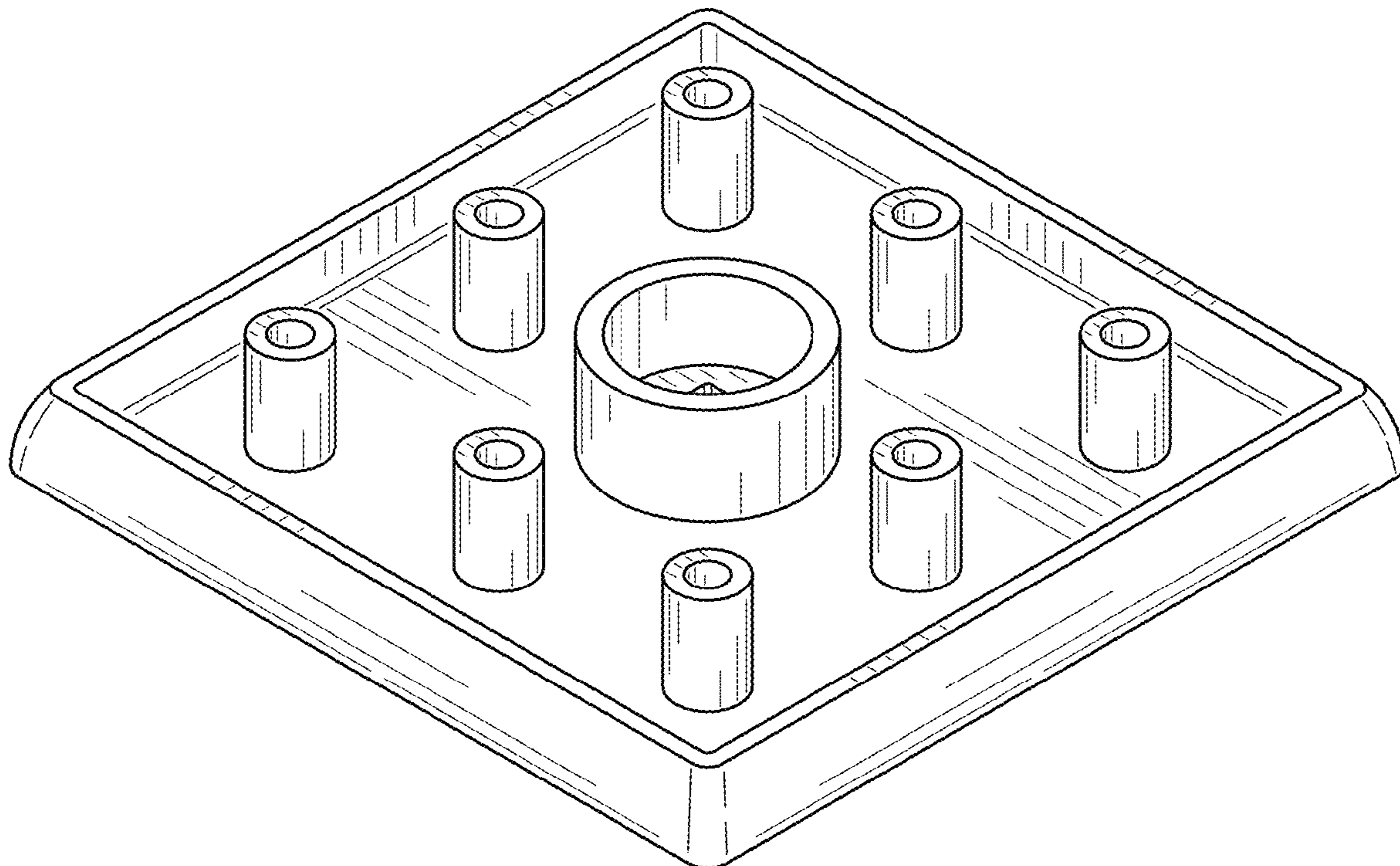
(56) **References Cited**

U.S. PATENT DOCUMENTS

2,608,022 A * 8/1952 Wright A01M 1/04
43/112

3,473,251 A * 10/1969 Kahn A01M 1/04
43/112

1 Claim, 3 Drawing Sheets



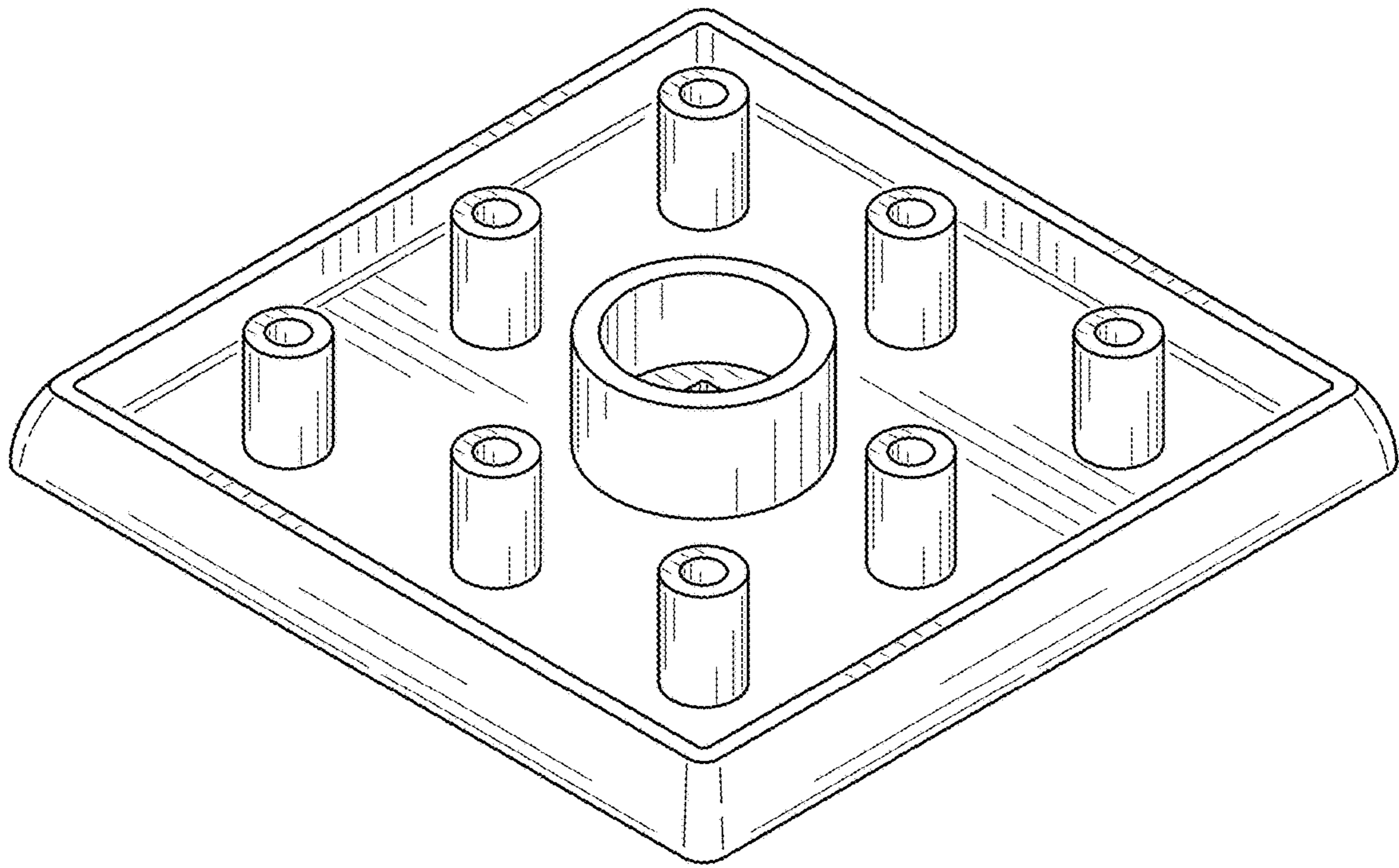


FIG. 1

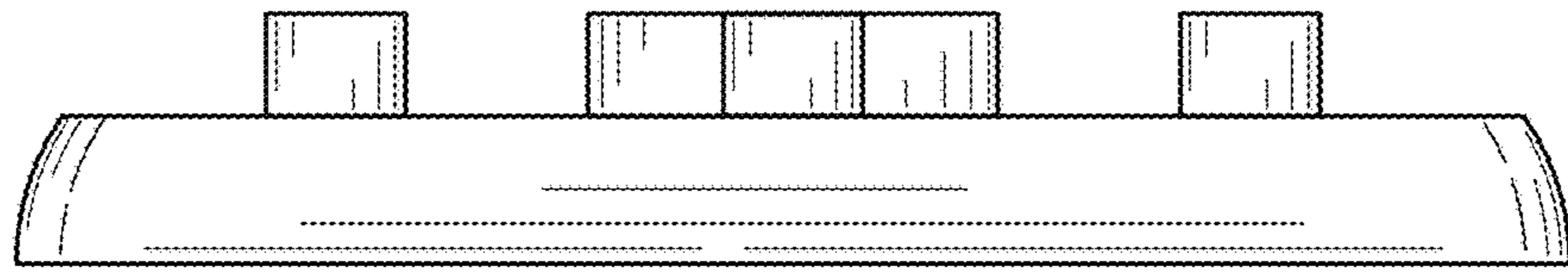


FIG. 2

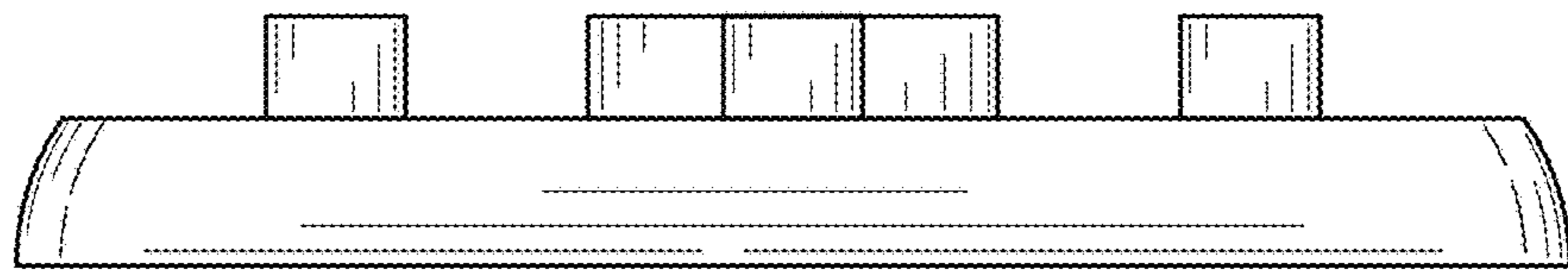


FIG. 3

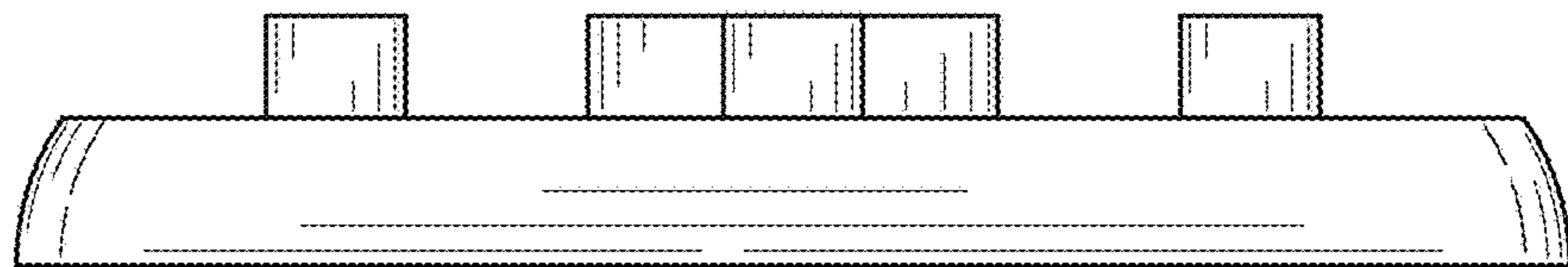


FIG. 4

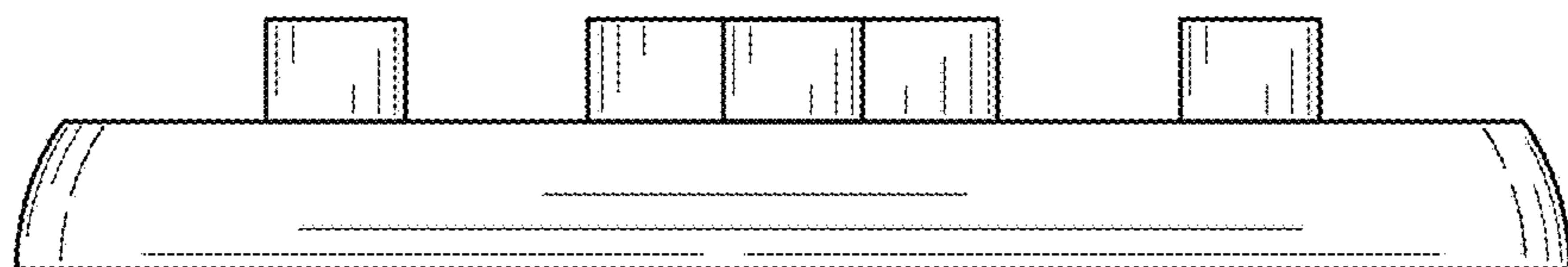


FIG. 5

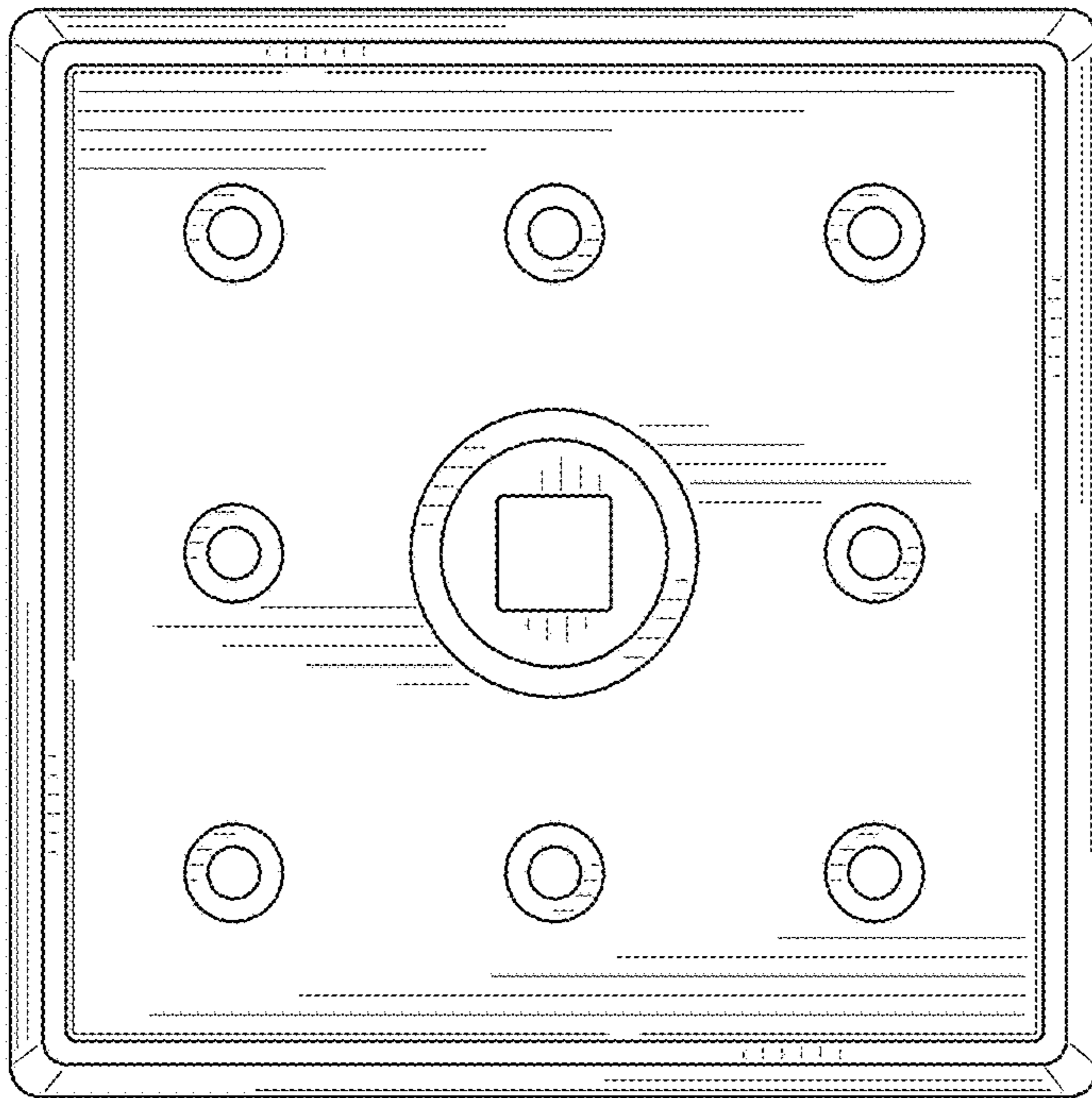


FIG. 6

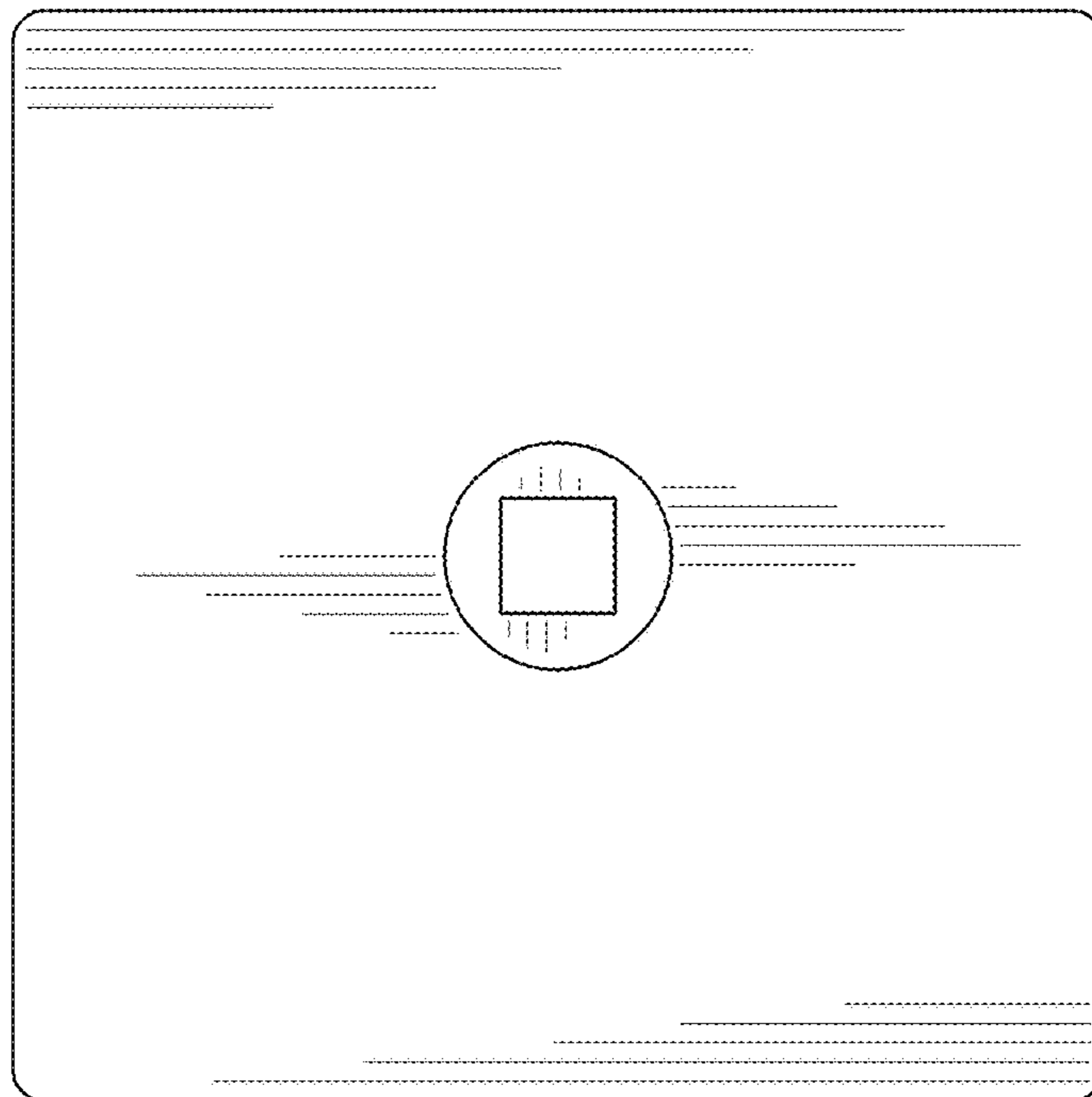


FIG. 7