



US00D829852S

(12) **United States Design Patent**
Sanford

(10) **Patent No.:** **US D829,852 S**

(45) **Date of Patent:** **** Oct. 2, 2018**

(54) **INSECT TRAP LID**

D390,305 S * 2/1998 Dickson D22/122
6,729,067 B2 * 5/2004 Lund A01M 1/026
43/124

(71) Applicant: **1ST DEFENCE INDUSTRIES LTD.,**
Abbotsford (CA)

D580,510 S * 11/2008 Berger D22/122
D811,517 S * 2/2018 Chapin D22/122

(72) Inventor: **Randall Sanford,** Abbotsford (CA)

* cited by examiner

(73) Assignee: **1st Defence Industries Ltd.,**
Abbotsford, B.C. (CA)

Primary Examiner — Catherine R Oliver-Garcia
(74) *Attorney, Agent, or Firm* — Tai Nahm; Miller
Thomson LLP

(**) Term: **15 Years**

(21) Appl. No.: **29/612,360**

(22) Filed: **Jul. 31, 2017**

(51) **LOC (11) Cl.** **22-06**

(52) **U.S. Cl.**
USPC **D22/122**

(58) **Field of Classification Search**
USPC D22/119–124; 43/107, 112–114, 124,
43/131, 132.1; D9/443, 445, 435–436,
D9/454
CPC A01M 1/02; A01M 1/04; A01M 1/103;
A01M 1/106; A01M 1/14; A01M 1/026;
A01M 29/12; A01M 1/2011
See application file for complete search history.

(56) **References Cited**

U.S. PATENT DOCUMENTS

4,841,669 A * 6/1989 Demarest A01M 1/2011
43/114
D306,197 S * 2/1990 Demarest D22/122

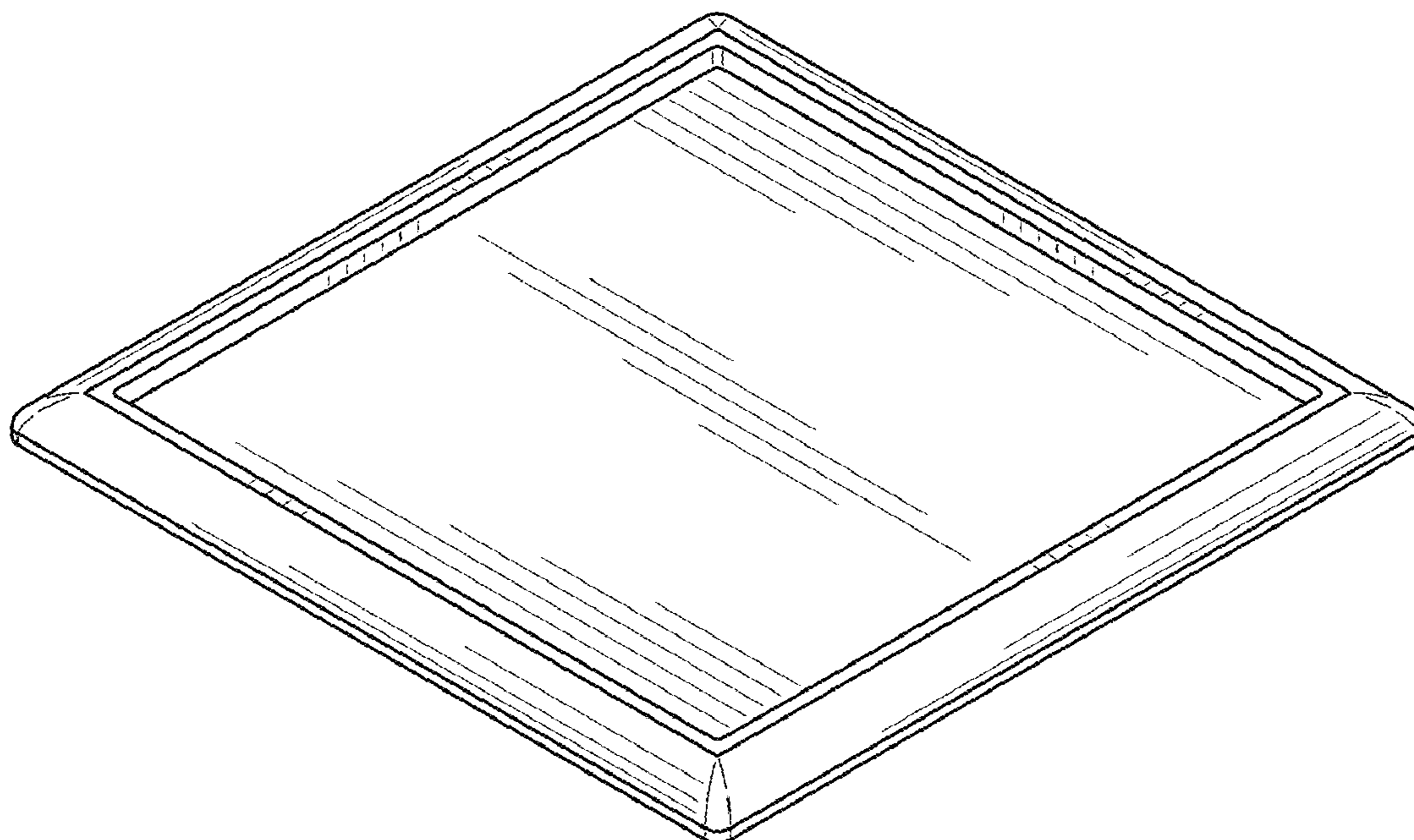
(57) **CLAIM**

The ornamental design for an insect trap lid, as shown and described.

DESCRIPTION

FIG. 1 is a top perspective view of the insect trap lid;
FIG. 2 is a front elevation view thereof;
FIG. 3 is a rear elevation view thereof;
FIG. 4 is a right elevation view thereof;
FIG. 5 is a left elevation view thereof;
FIG. 6 is a top plan view thereof; and,
FIG. 7 is a bottom plan view thereof.
The insect trap lid provides a supporting surface for an article placed on it, and provides a cover for a corresponding insect trap base placed below it.

1 Claim, 3 Drawing Sheets



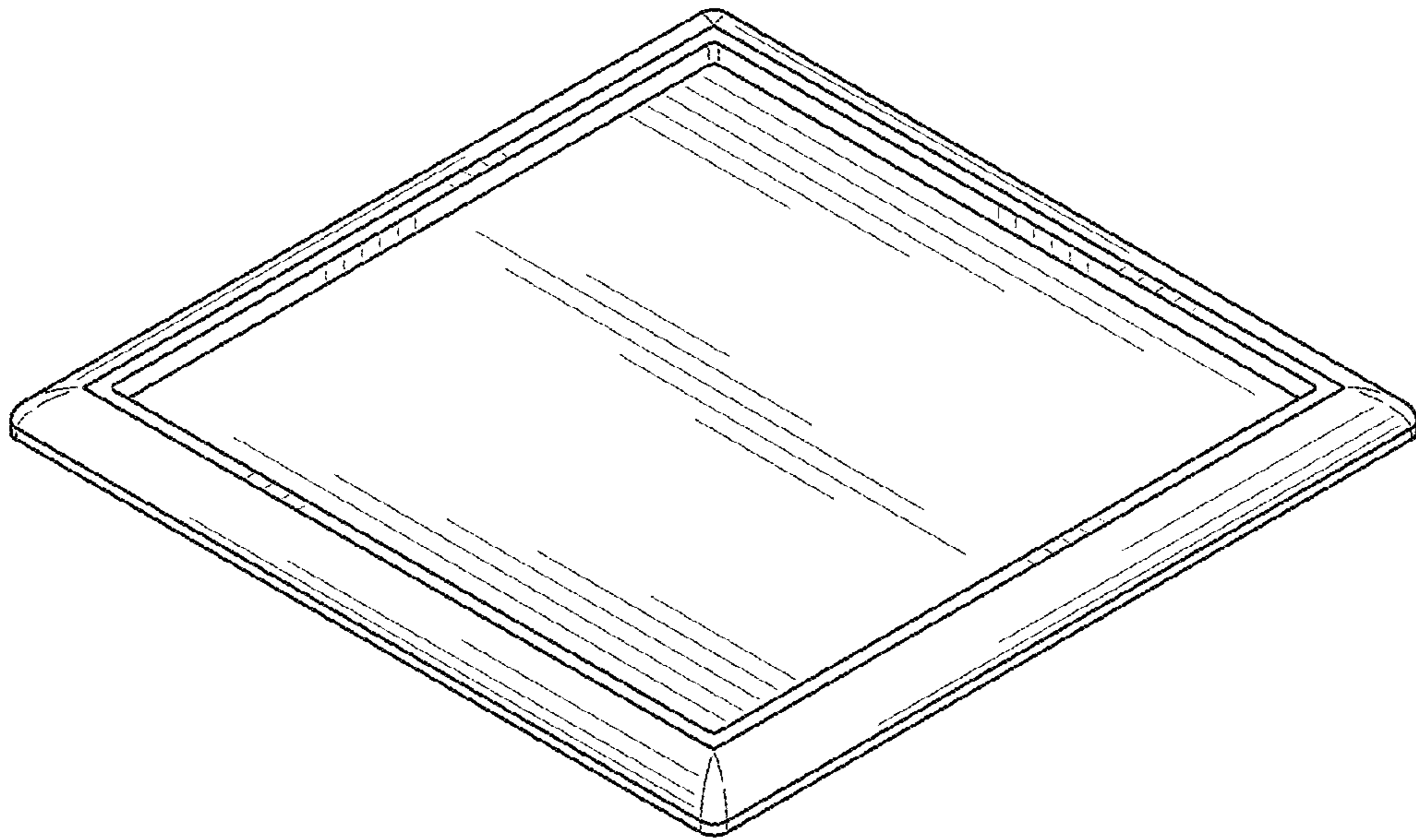


FIG. 1

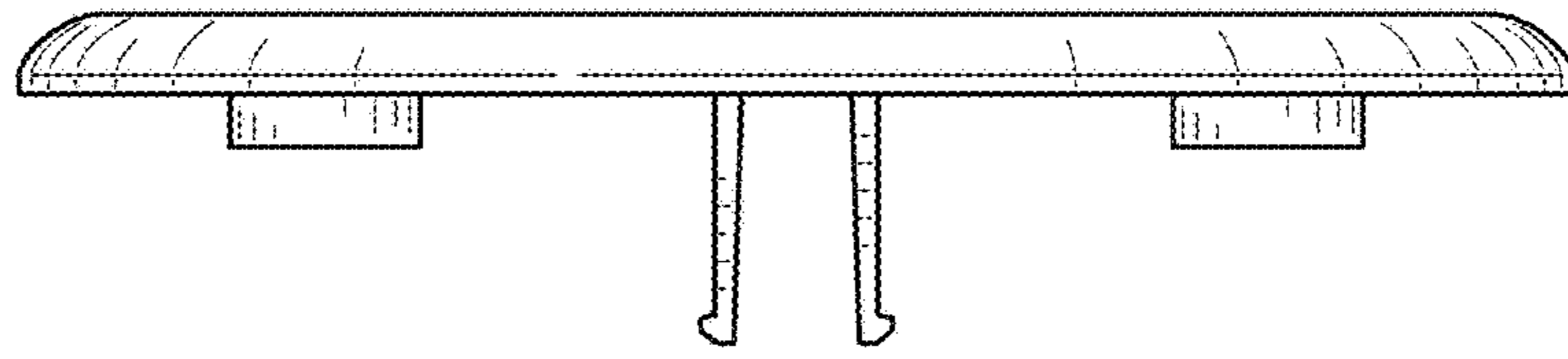


FIG. 2

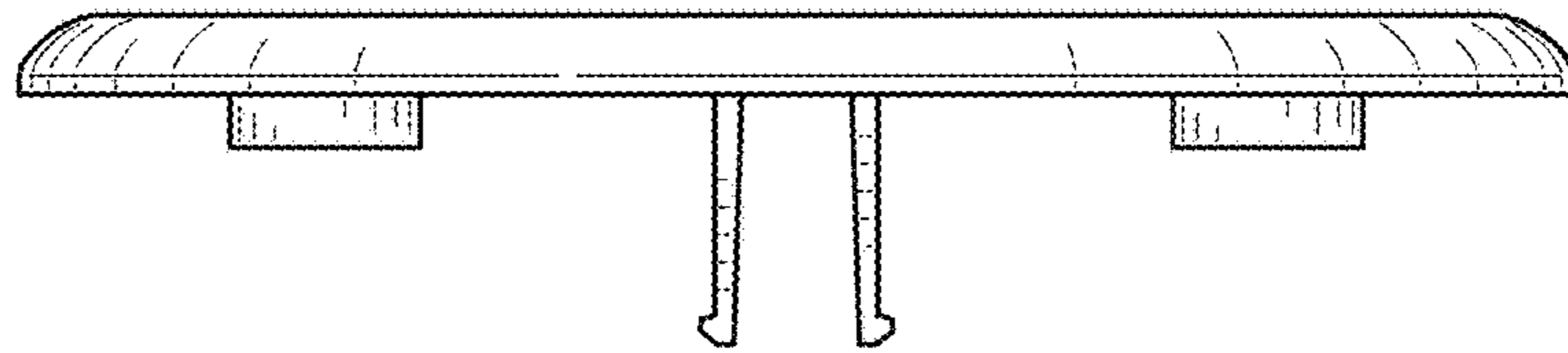


FIG. 3

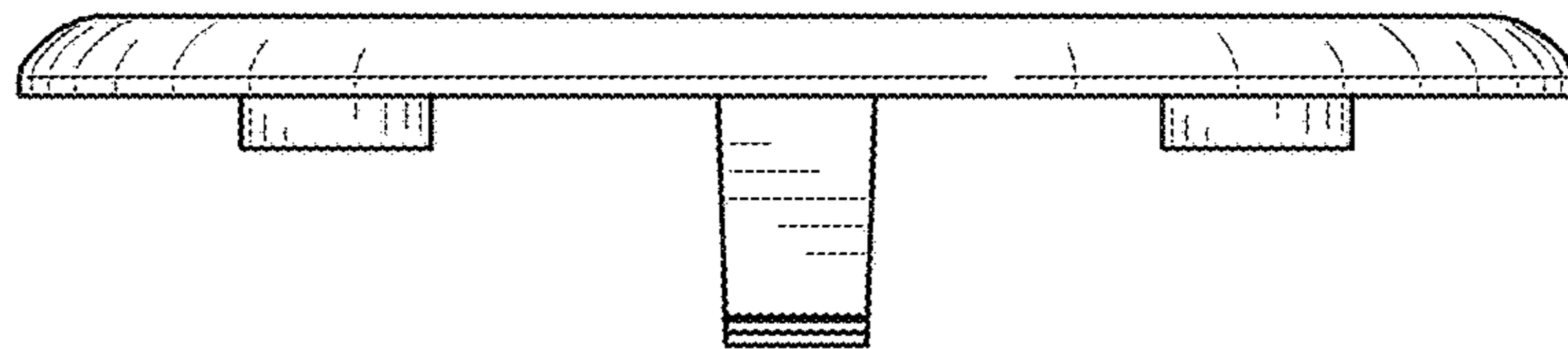


FIG. 4

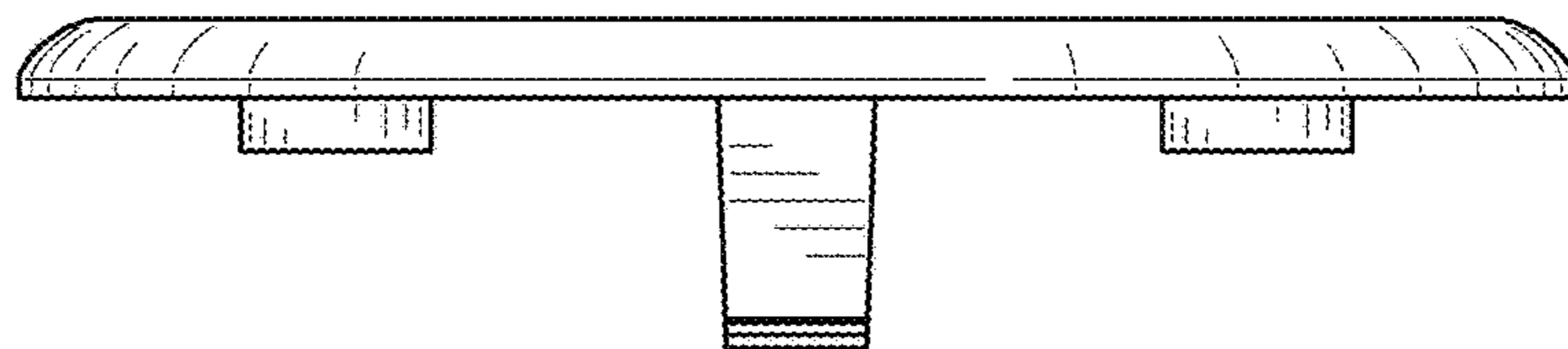


FIG. 5

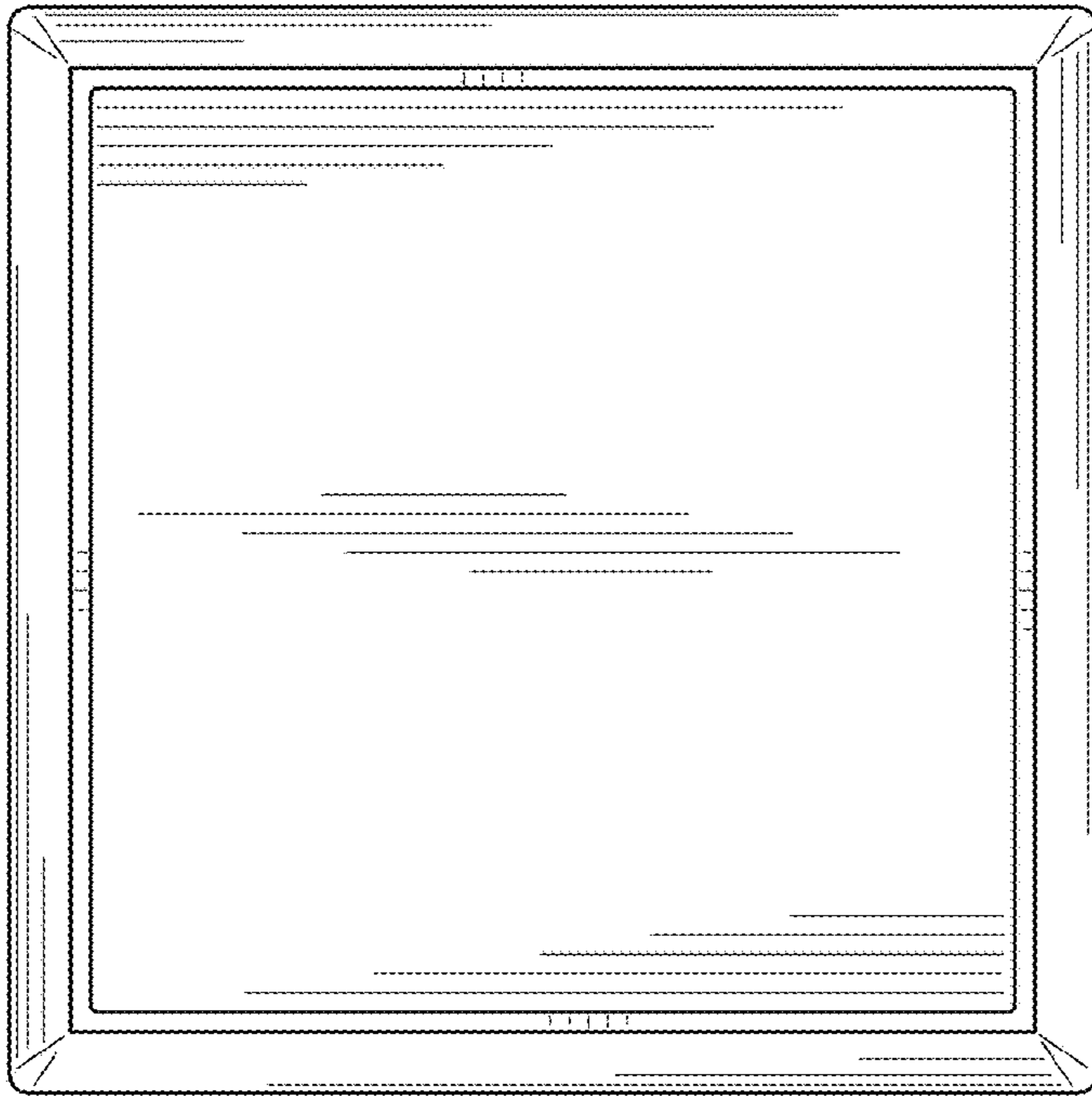


FIG. 6

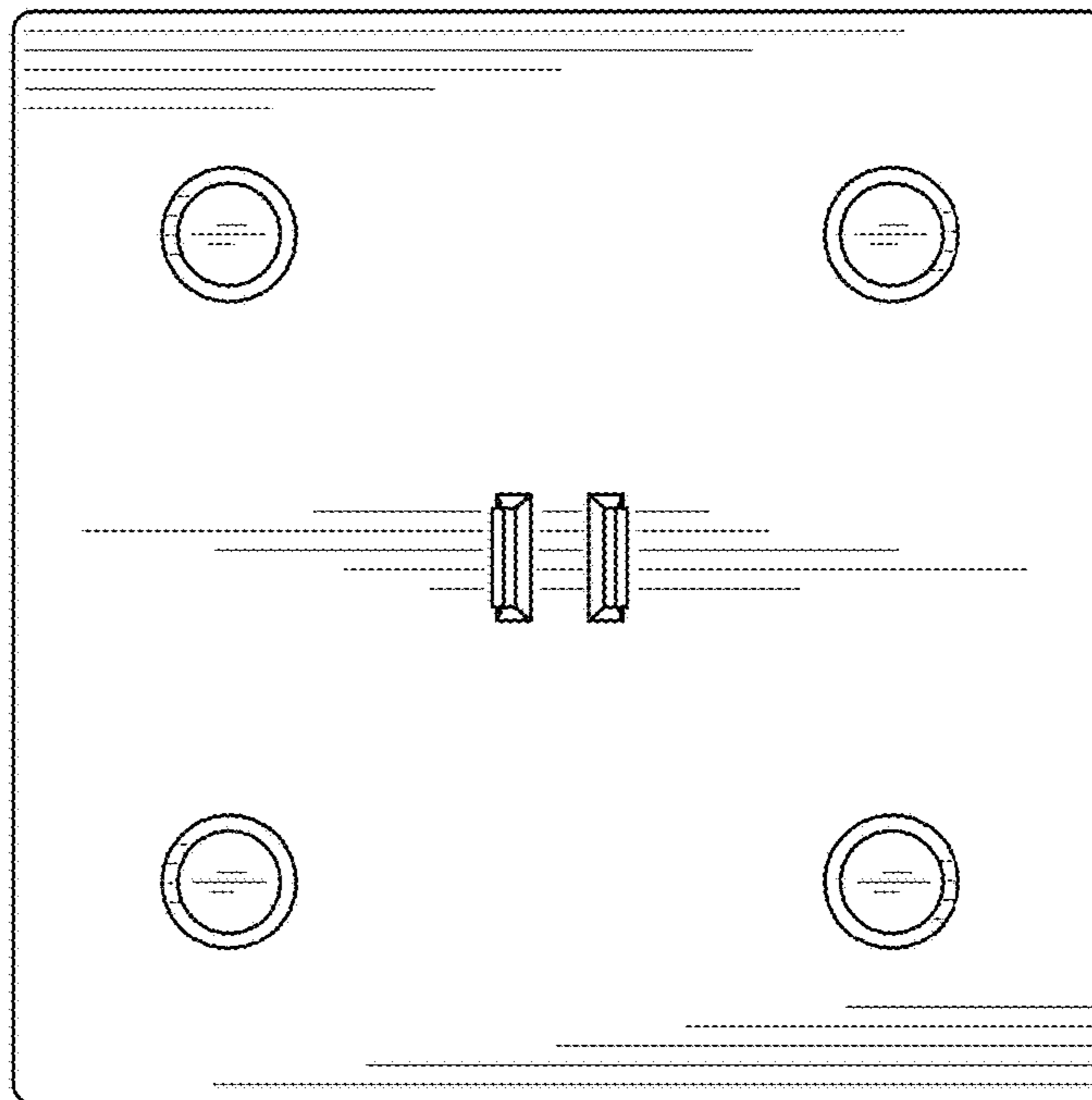


FIG. 7