



US00D829850S

(12) **United States Design Patent**
Sanford

(10) **Patent No.:** **US D829,850 S**

(45) **Date of Patent:** **** Oct. 2, 2018**

(54) **ADHESIVE PAD FOR INSECT TRAP**

(56) **References Cited**

(71) Applicant: **1ST DEFENCE INDUSTRIES LTD.,**
Abbotsford (CA)

U.S. PATENT DOCUMENTS

D94,771 S * 3/1935 Merdan D22/122
2,889,998 A * 6/1959 Gallo B05B 7/2429
43/132.1
D559,105 S * 1/2008 D'Amato D9/454

(72) Inventor: **Randall Sanford,** Abbotsford (CA)

* cited by examiner

(73) Assignee: **1st Defence Industries Ltd.,**
Abbotsford, B.C. (CA)

Primary Examiner — Catherine R Oliver-Garcia
(74) *Attorney, Agent, or Firm* — Tai Nahm; Miller
Thomson LLP

(**) Term: **15 Years**

(57) **CLAIM**

(21) Appl. No.: **29/612,348**

The ornamental design for an adhesive pad for insect trap,
as shown and described.

(22) Filed: **Jul. 31, 2017**

DESCRIPTION

(51) **LOC (11) Cl.** **22-06**

(52) **U.S. Cl.**
USPC **D22/122**

(58) **Field of Classification Search**
USPC D22/119–124; 43/107, 112–114, 124,
43/131, 132.1, 139; D9/435–436, 449,
D9/451, 453, 447, 443, 445, 454;
422/306

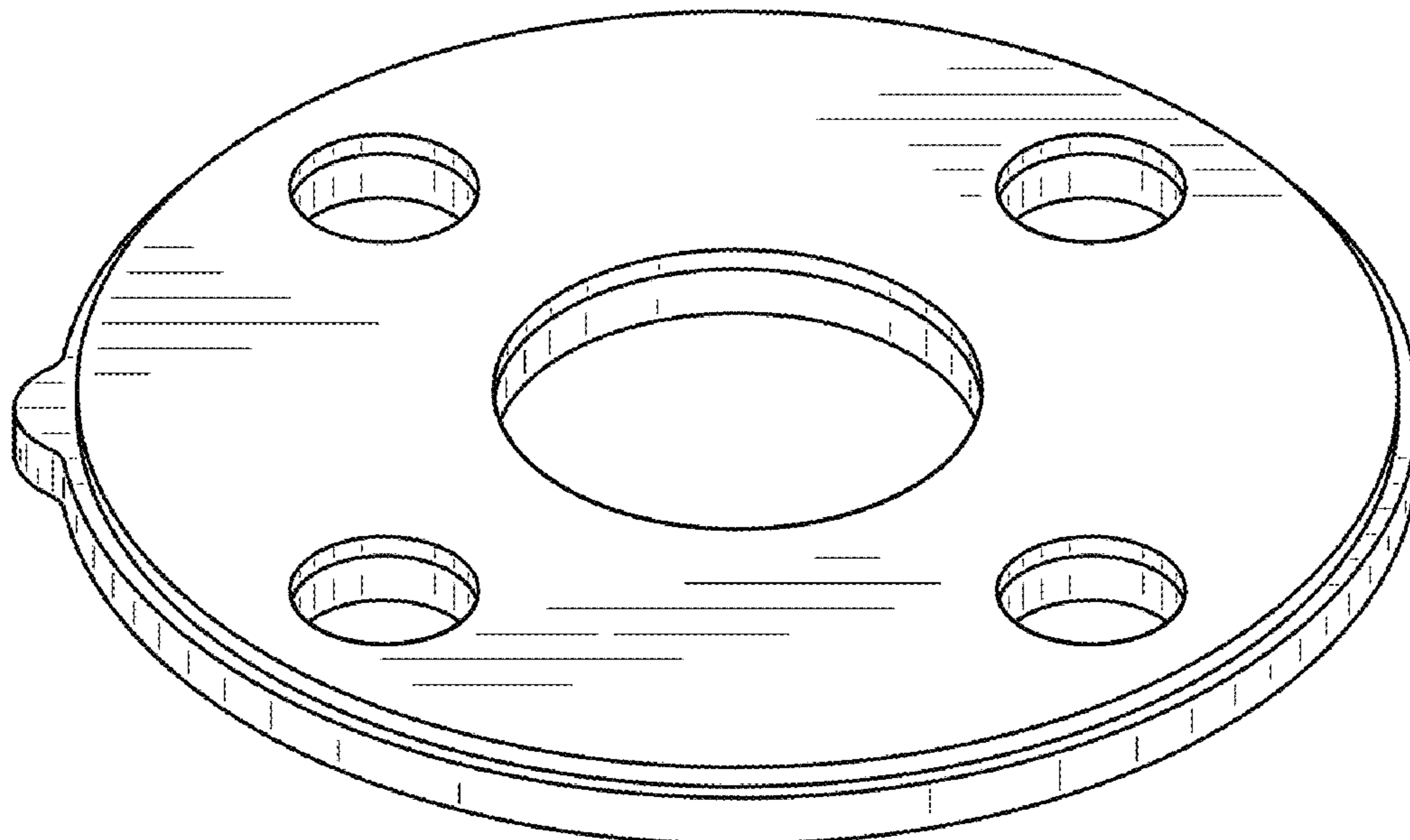
FIG. 1 is a top perspective view of the adhesive pad for
insect trap;
FIG. 2 is a front elevation view thereof;
FIG. 3 is a rear elevation view thereof;
FIG. 4 is a right elevation view thereof;
FIG. 5 is a left elevation view thereof;
FIG. 6 is a top plan view thereof; and,
FIG. 7 is a bottom plan view thereof.

CPC A01M 1/02; A01M 1/103; A01M 1/106;
A01M 1/14; A01M 1/026; A01M 29/12;
B05B 7/2429

The adhesive pad for insect trap is adapted to be placed in
a compatible insect trap.

See application file for complete search history.

1 Claim, 3 Drawing Sheets



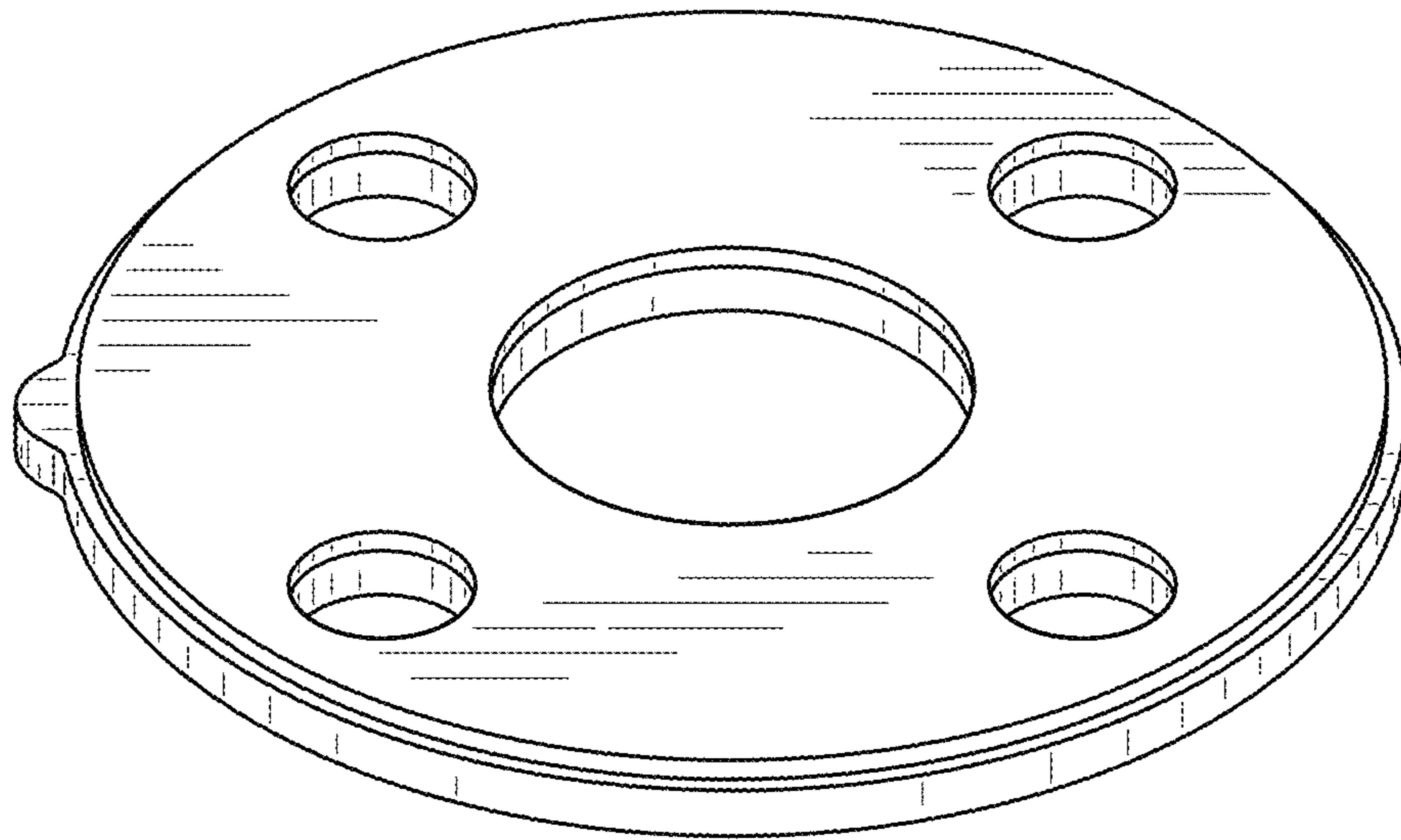


FIG. 1



FIG. 2



FIG. 3



FIG. 4

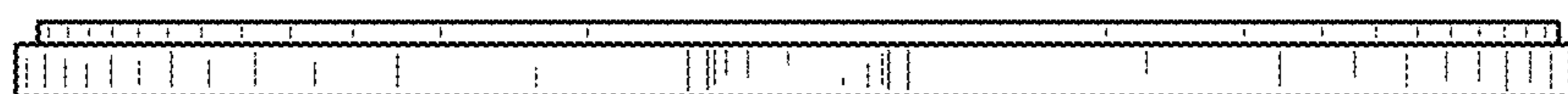


FIG. 5

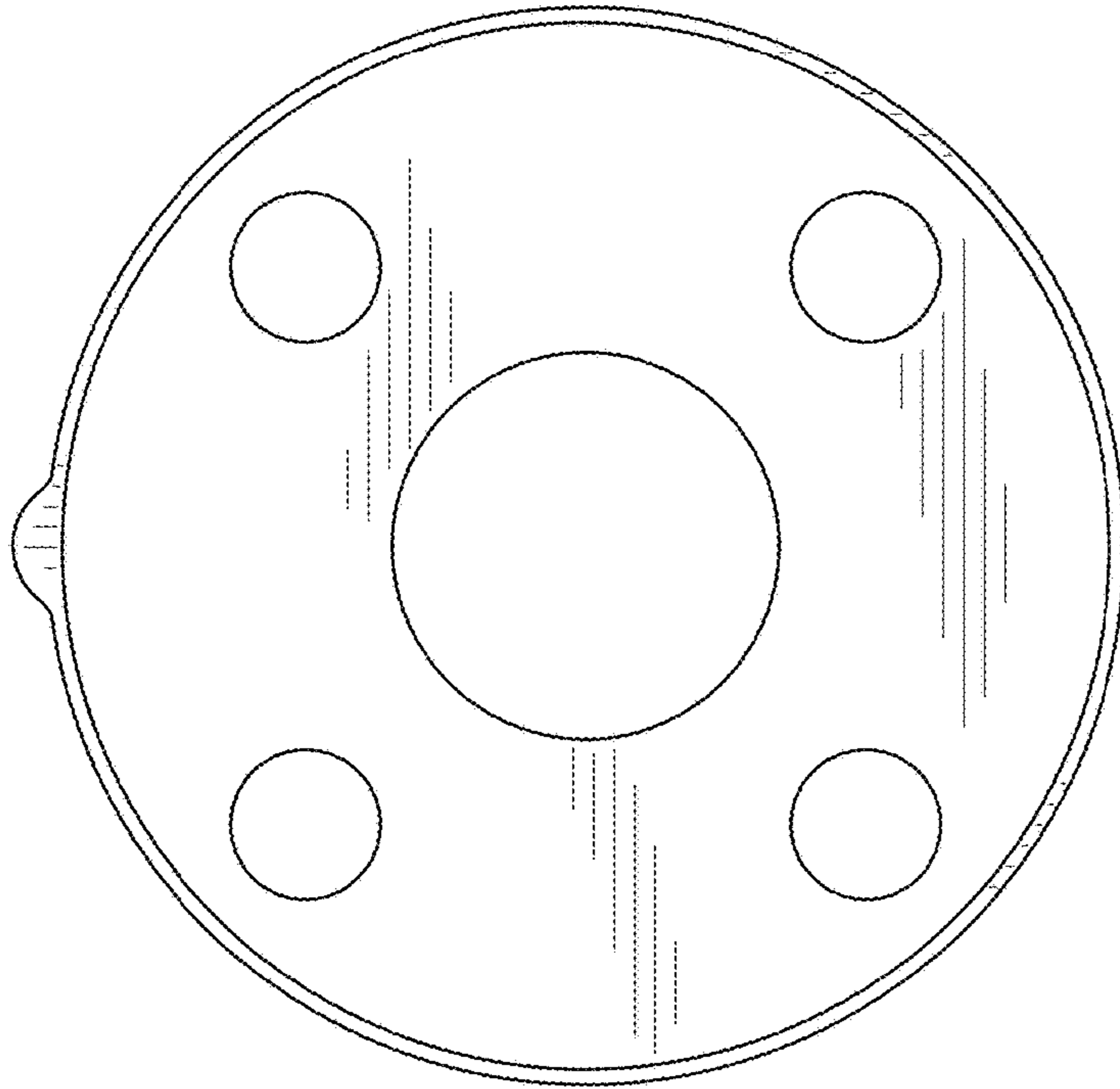


FIG. 6

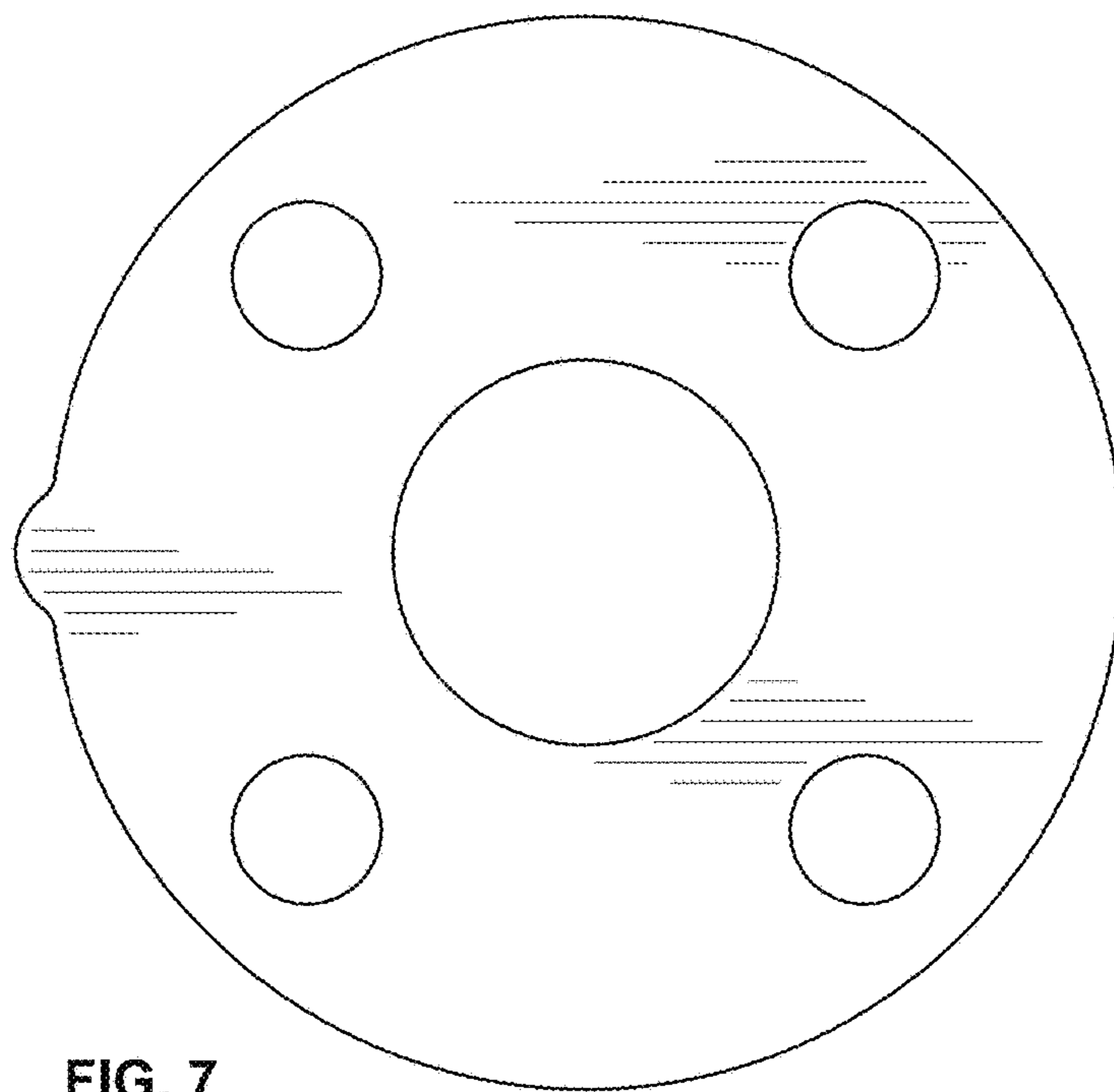


FIG. 7