



US00D829849S

(12) **United States Design Patent**
Sanford

(10) **Patent No.:** **US D829,849 S**

(45) **Date of Patent:** **** Oct. 2, 2018**

- (54) **INSECT TRAP LID**
- (71) Applicant: **1ST DEFENCE INDUSTRIES LTD.,**
Abbotsford (CA)
- (72) Inventor: **Randall Sanford,** Abbotsford (CA)
- (73) Assignee: **1st Defence Industries Ltd.,**
Abbotsford, B.C. (CA)
- (**) Term: **15 Years**
- (21) Appl. No.: **29/612,344**
- (22) Filed: **Jul. 31, 2017**
- (51) **LOC (11) Cl.** **22-06**
- (52) **U.S. Cl.**
USPC **D22/122**
- (58) **Field of Classification Search**
USPC D22/119–124; 43/107, 112–114, 121,
43/124, 132.1, 139; D9/435–436, 443,
D9/445, 454
CPC A01M 1/04; A01M 1/103; A01M 1/106;
A01M 1/14; A01M 1/026; A01M 29/12
See application file for complete search history.

- 6,453,603 B1 * 9/2002 Baker A01M 1/2011
43/124
- 6,718,685 B2 * 4/2004 Bossler A01M 1/02
43/107
- 6,772,557 B2 * 8/2004 Laskey A01M 1/026
43/124
- D566,225 S * 4/2008 Cink D22/122
- 7,380,370 B2 * 6/2008 Livingston A01M 29/12
43/124
- D580,510 S * 11/2008 Berger D22/122
- D590,041 S * 4/2009 Schneidmiller D22/122
- D718,133 S * 11/2014 Fraser D9/436
- D751,898 S * 3/2016 D'Anglade D9/435
- D801,176 S * 10/2017 Lynd D9/454

* cited by examiner

Primary Examiner — Catherine R Oliver-Garcia
(74) *Attorney, Agent, or Firm* — Tai Nahm; Miller
Thomson LLP

(57) **CLAIM**

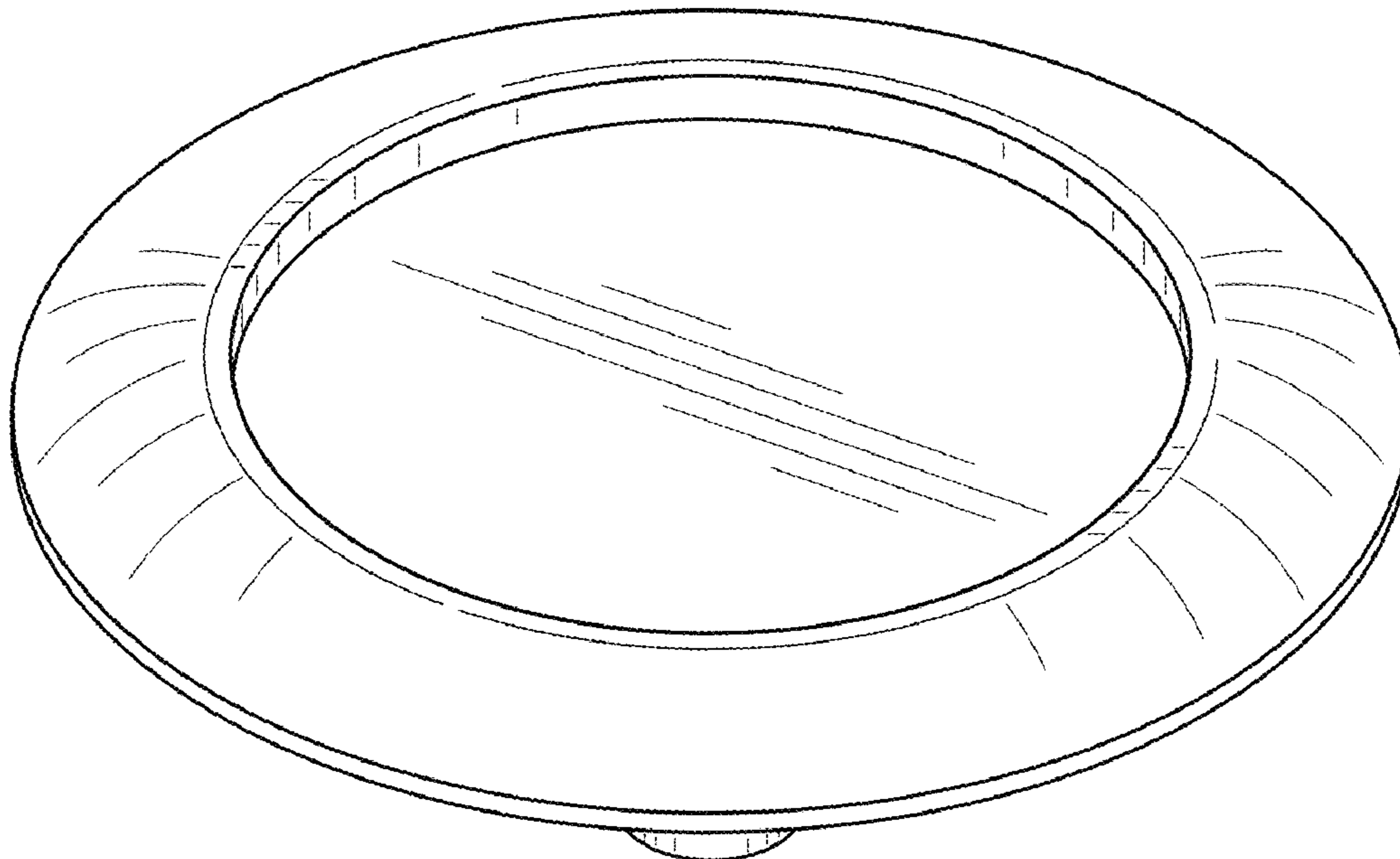
The ornamental design for an insect trap lid, as shown and described.

DESCRIPTION

FIG. 1 is a top perspective view of the insect trap lid;
FIG. 2 is a front elevation view thereof;
FIG. 3 is a rear elevation view thereof;
FIG. 4 is a right elevation view thereof;
FIG. 5 is a left elevation view thereof;
FIG. 6 is a top plan view thereof; and,
FIG. 7 is a bottom plan view thereof.
The insect trap lid provides a supporting surface for an article placed on it, and provides a cover for a corresponding insect trap base placed below it.

1 Claim, 3 Drawing Sheets

- (56) **References Cited**
U.S. PATENT DOCUMENTS
3,177,609 A * 4/1965 De Marco A01M 1/04
43/112
4,802,302 A * 2/1989 Alnafissa A01K 5/0142
43/114
D325,613 S * 4/1992 Melchor D22/122
D335,521 S * 5/1993 Petersen D22/119
D336,506 S * 6/1993 Petersen D22/119
6,003,266 A * 12/1999 Woodruff A01M 1/026
43/124



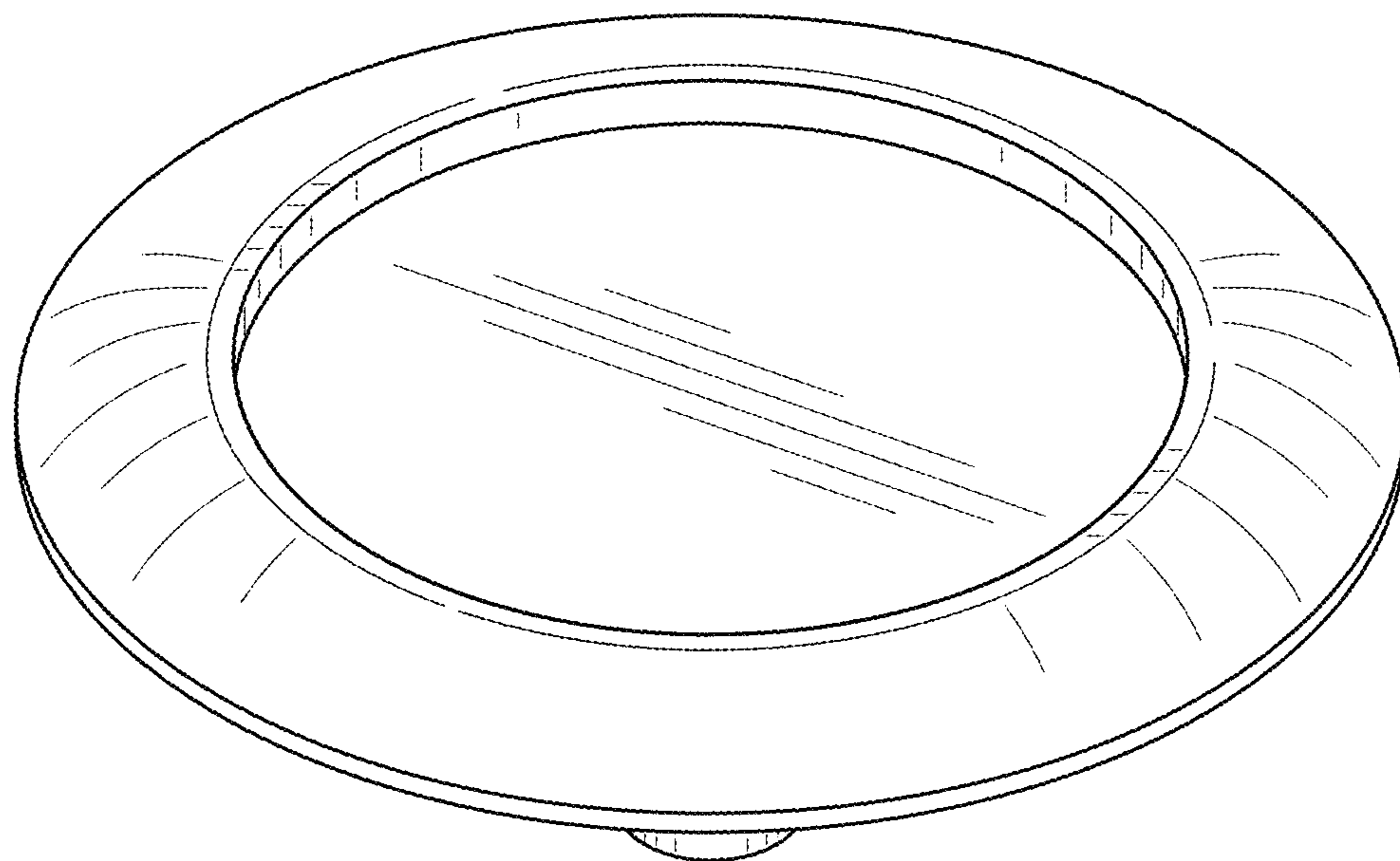


FIG. 1

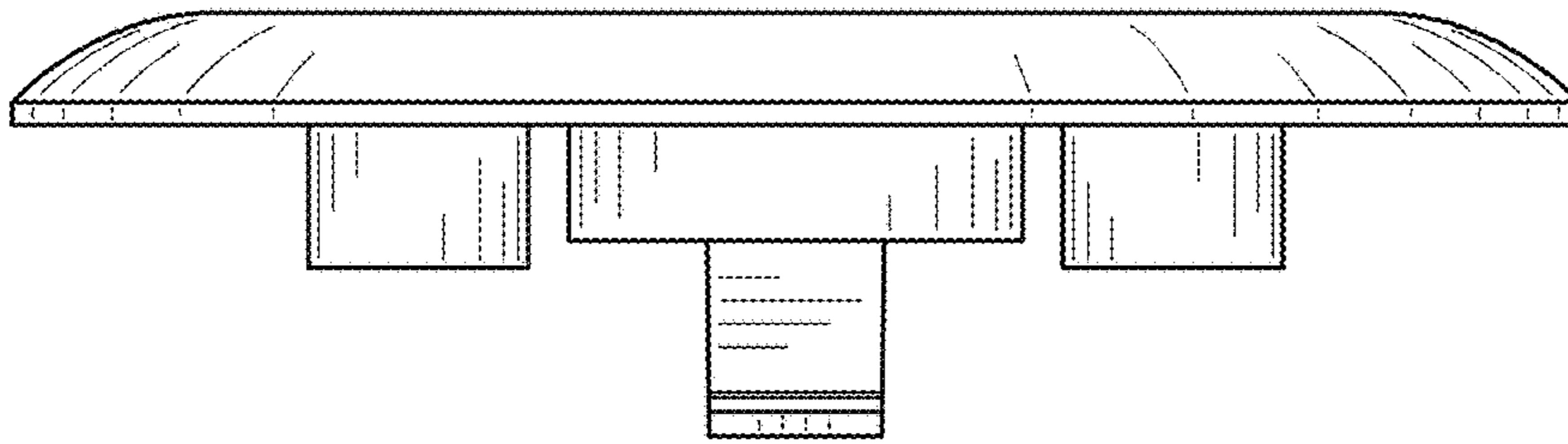


FIG. 2

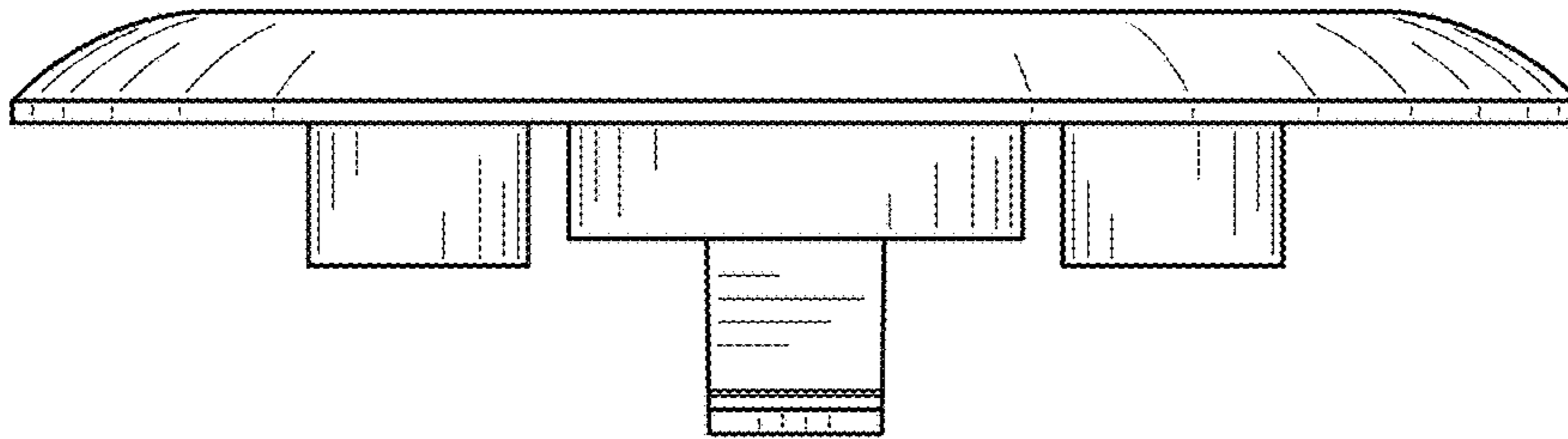


FIG. 3

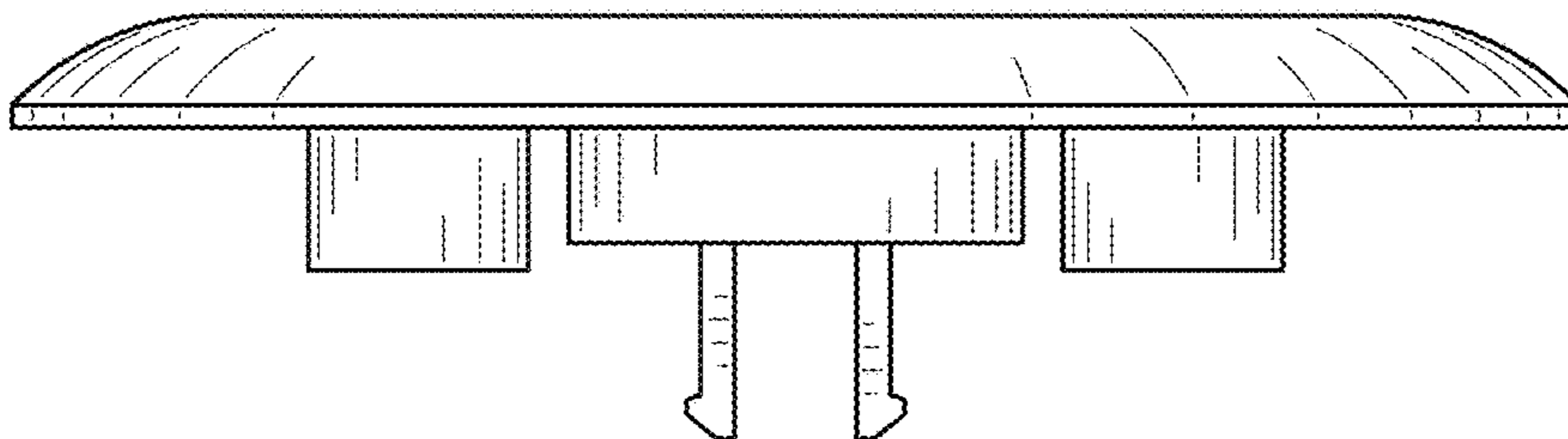


FIG. 4

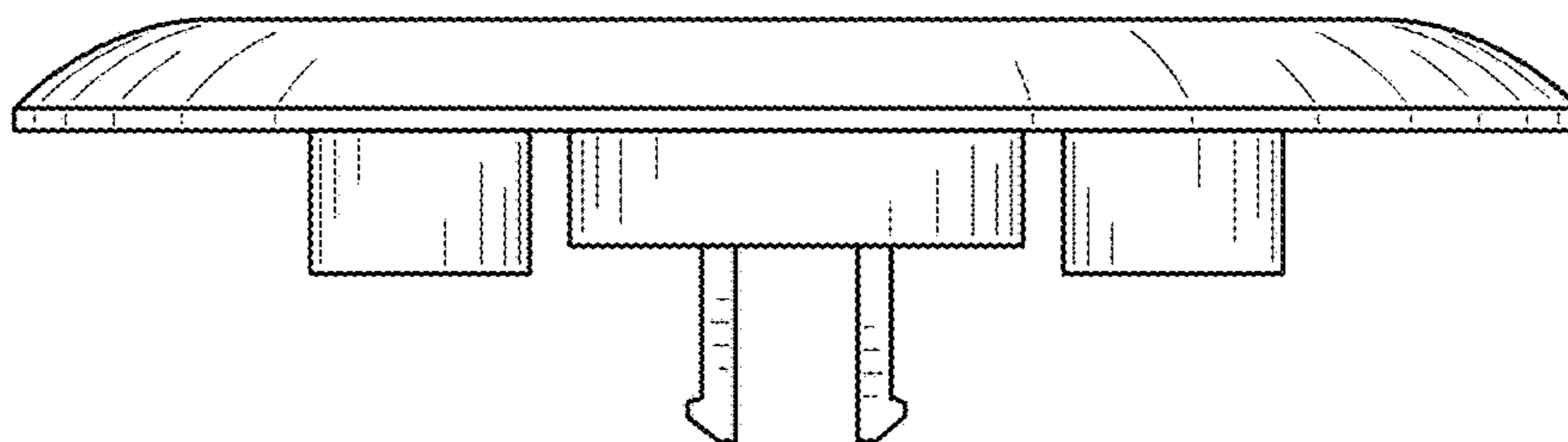


FIG. 5

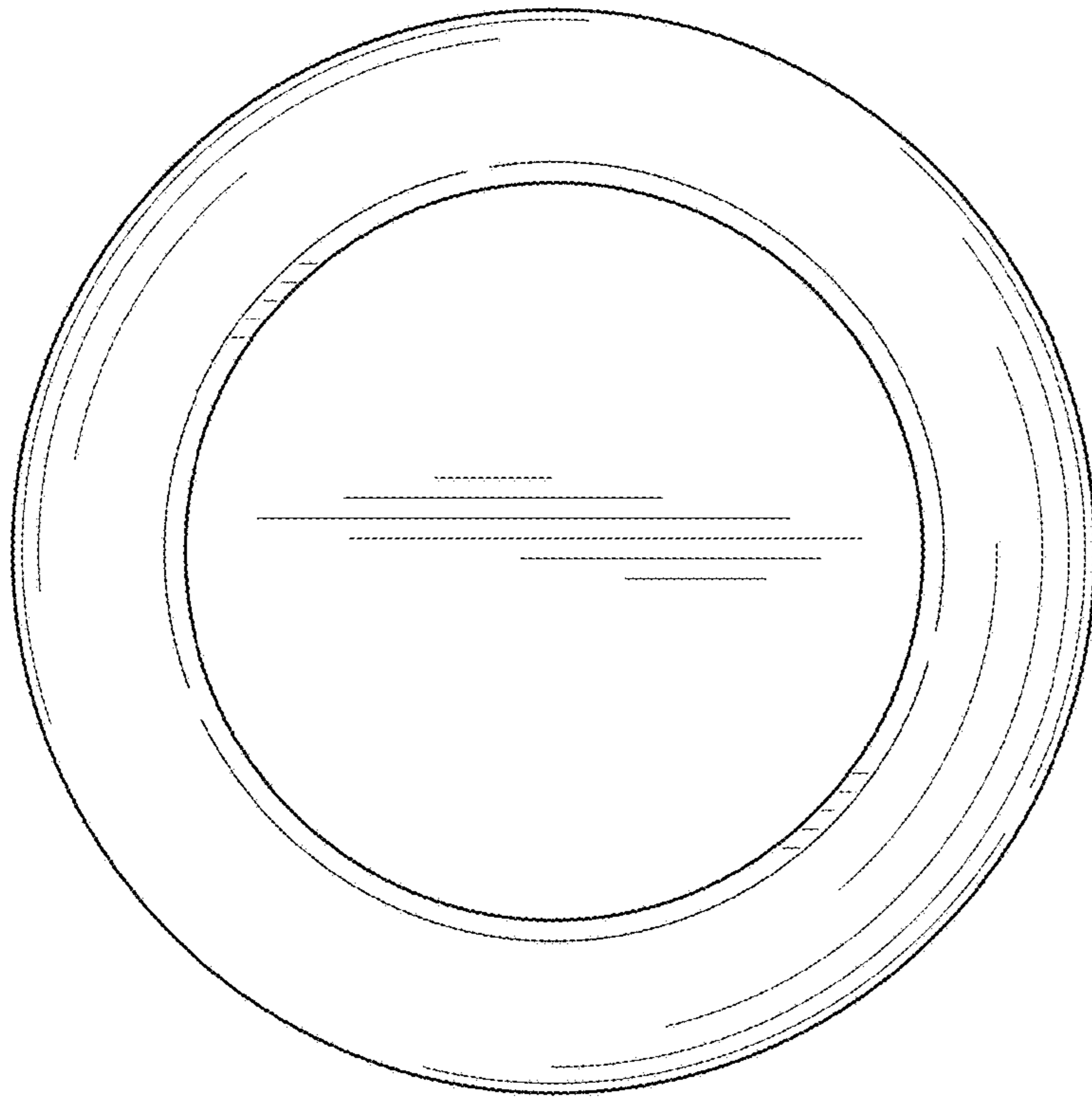


FIG. 6

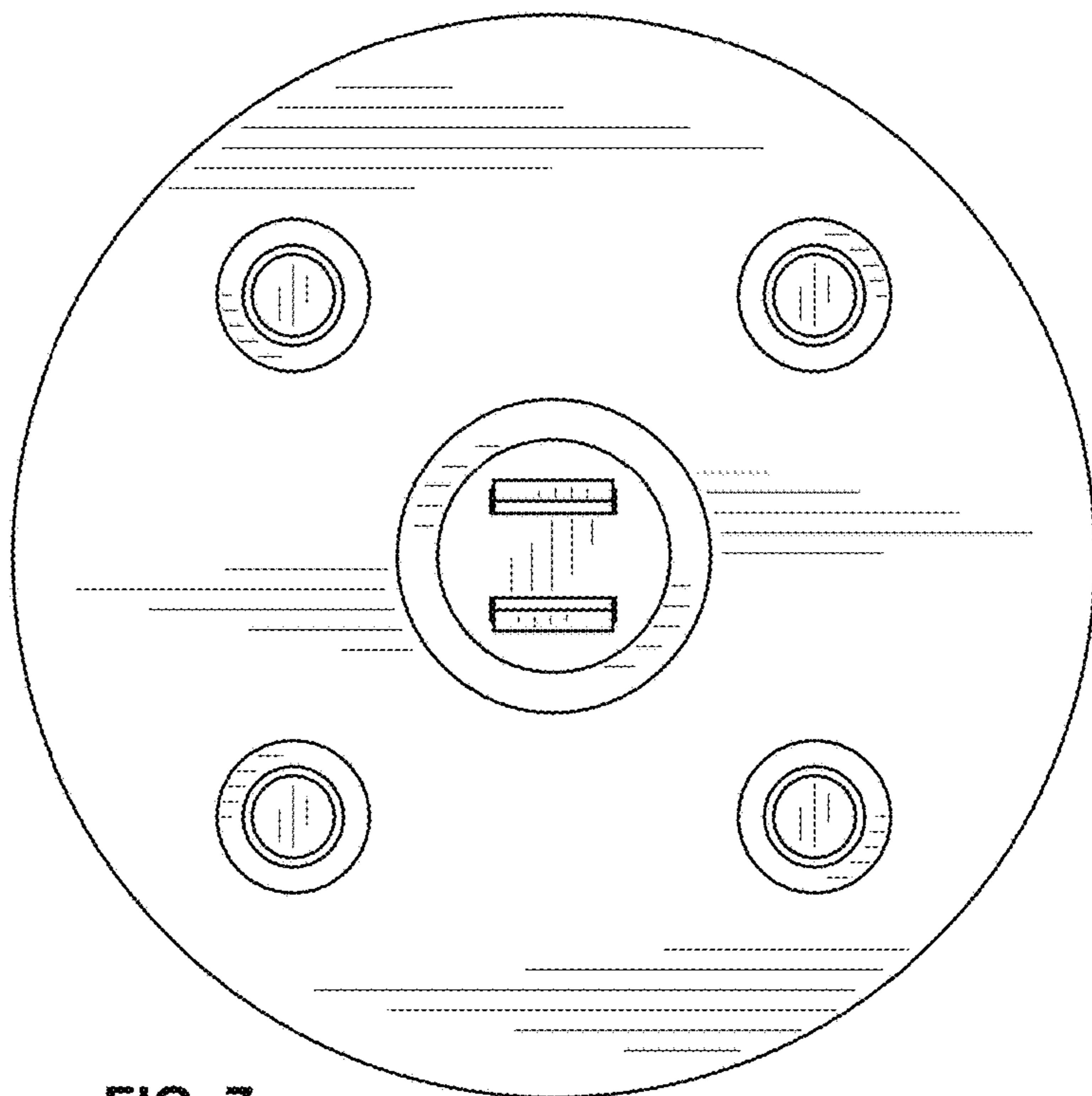


FIG. 7