



US00D829848S

(12) **United States Design Patent** (10) **Patent No.:** **US D829,848 S**  
**Gu** (45) **Date of Patent:** **\*\* Oct. 2, 2018**

(54) **ELECTRONIC PEST REPELLER**  
(71) Applicant: **Tijun Gu**, Shenzhen (CN)  
(72) Inventor: **Tijun Gu**, Shenzhen (CN)  
(\*\*) Term: **15 Years**  
(21) Appl. No.: **29/619,863**

D469,149 S *	1/2003	Levine	.....	D22/120
D469,499 S *	1/2003	Levine	.....	D22/120
D638,507 S *	5/2011	Feuerstein	.....	D22/120
D639,466 S *	6/2011	Feuerstein	.....	D22/120
D742,994 S *	11/2015	Mackay	.....	D22/122
D768,806 S *	10/2016	Wu	.....	D22/120
D779,026 S *	2/2017	Hou	.....	D22/120
D779,626 S *	2/2017	Hou	.....	D22/120
D780,878 S *	3/2017	Zhang	.....	D22/120
D816,823 S *	5/2018	Gobber	.....	D23/366
D820,964 S *	6/2018	Servaire	.....	D23/366

(22) Filed: **Oct. 2, 2017**  
(51) **LOC (11) Cl.** ..... **22-06**  
(52) **U.S. Cl.**  
USPC ..... **D22/120**  
(58) **Field of Classification Search**  
USPC ..... D22/119-124; D23/366-367; 43/85, 88,  
43/90-92, 107, 112-114, 124, 131, 132.1,  
43/139  
CPC ..... A01M 1/04; A01M 1/023; A01M 1/026;  
A01M 1/223; A01M 1/145; B01D  
46/0005  
See application file for complete search history.

\* cited by examiner

*Primary Examiner* — Catherine R Oliver-Garcia  
(74) *Attorney, Agent, or Firm* — Novoclaims Patent  
Services LLC; Mei Lin Wong

(56) **References Cited**

**U.S. PATENT DOCUMENTS**

5,425,197 A *	6/1995	Smith	.....	A01M 1/04 43/113
D395,529 S *	6/1998	Yuen	.....	D22/123
6,397,515 B1 *	6/2002	Brown	.....	A01M 1/023 43/113
D469,147 S *	1/2003	Levine	.....	D22/120

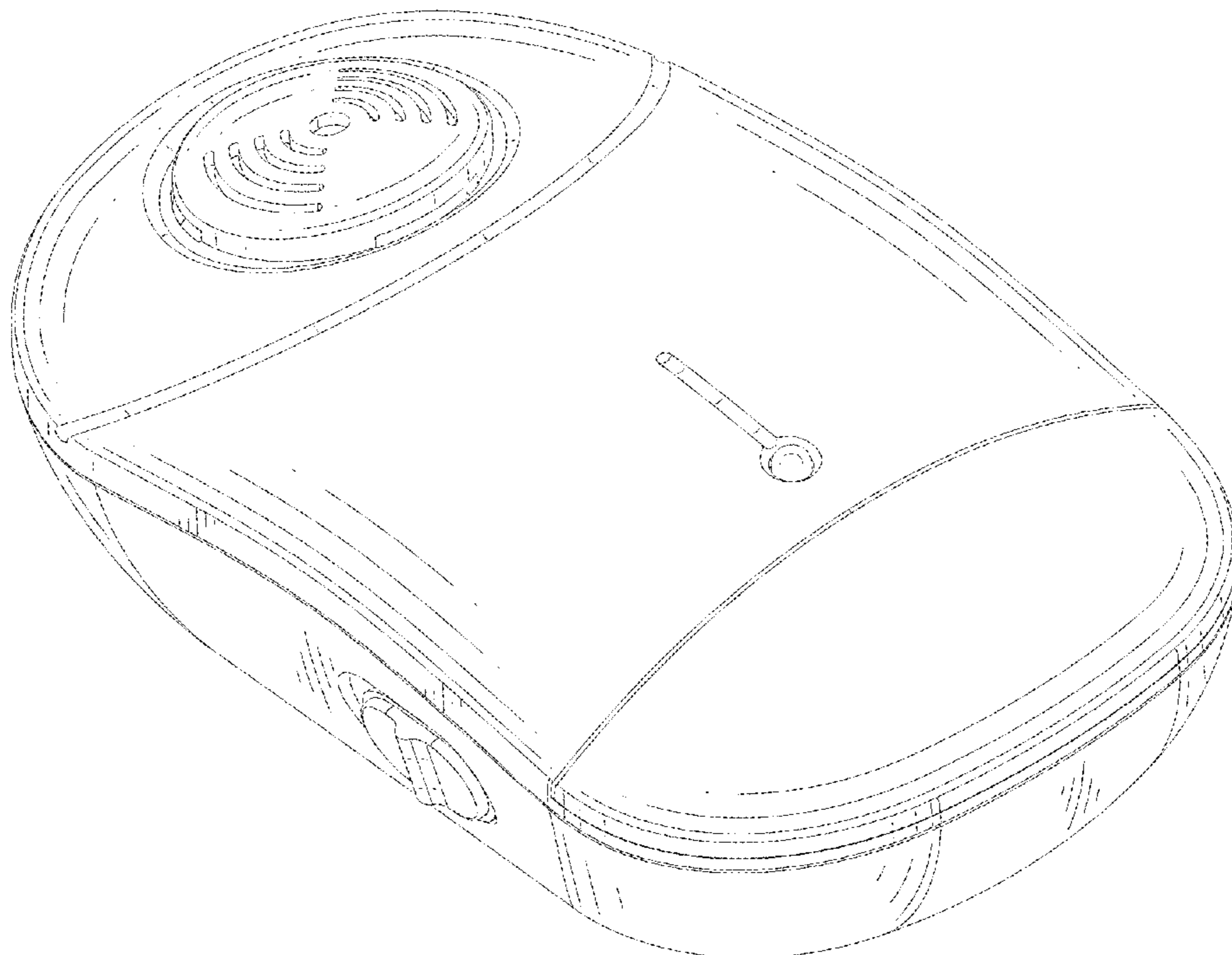
(57) **CLAIM**

The ornamental design for an electronic pest repeller, as shown and described.

**DESCRIPTION**

FIG. 1 is a perspective view of an electronic pest repeller, showing my new design.  
FIG. 2 is a rear perspective view thereof.  
FIG. 3 is a front view thereof.  
FIG. 4 is a rear view thereof.  
FIG. 5 is a left side end view thereof.  
FIG. 6 is a right side end view thereof.  
FIG. 7 is a top view thereof; and,  
FIG. 8 is a bottom view thereof.

**1 Claim, 8 Drawing Sheets**



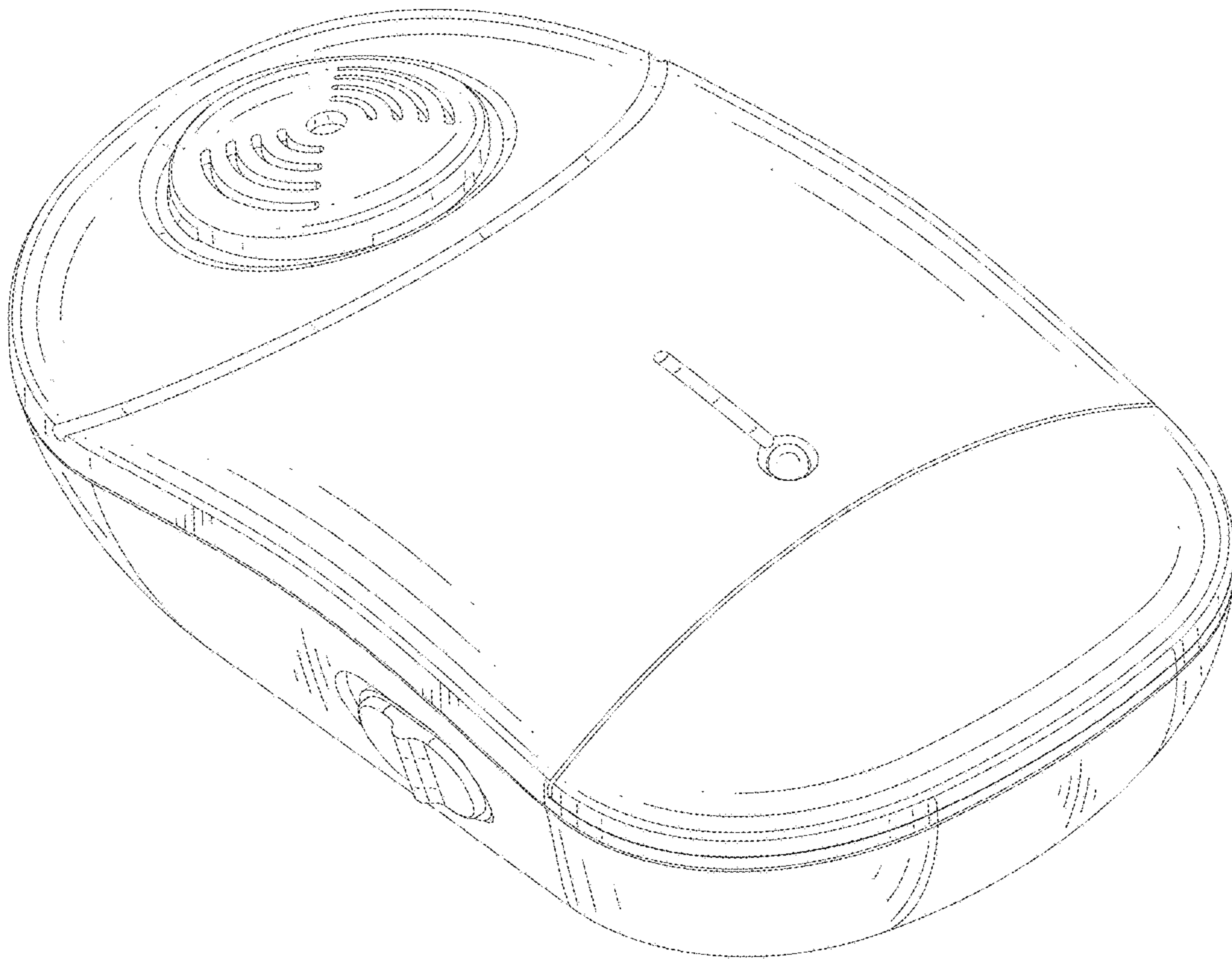


FIG.1

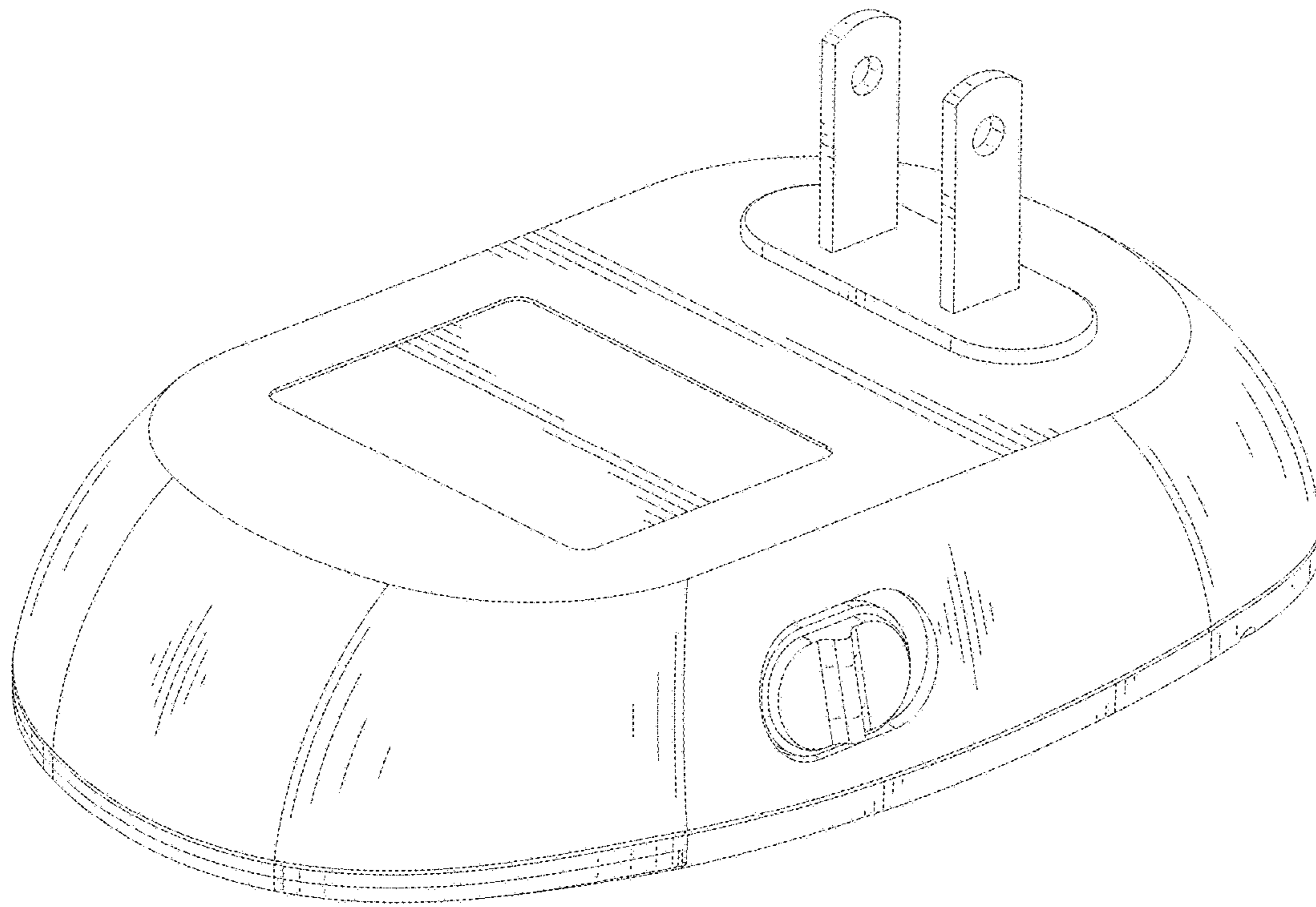


FIG.2

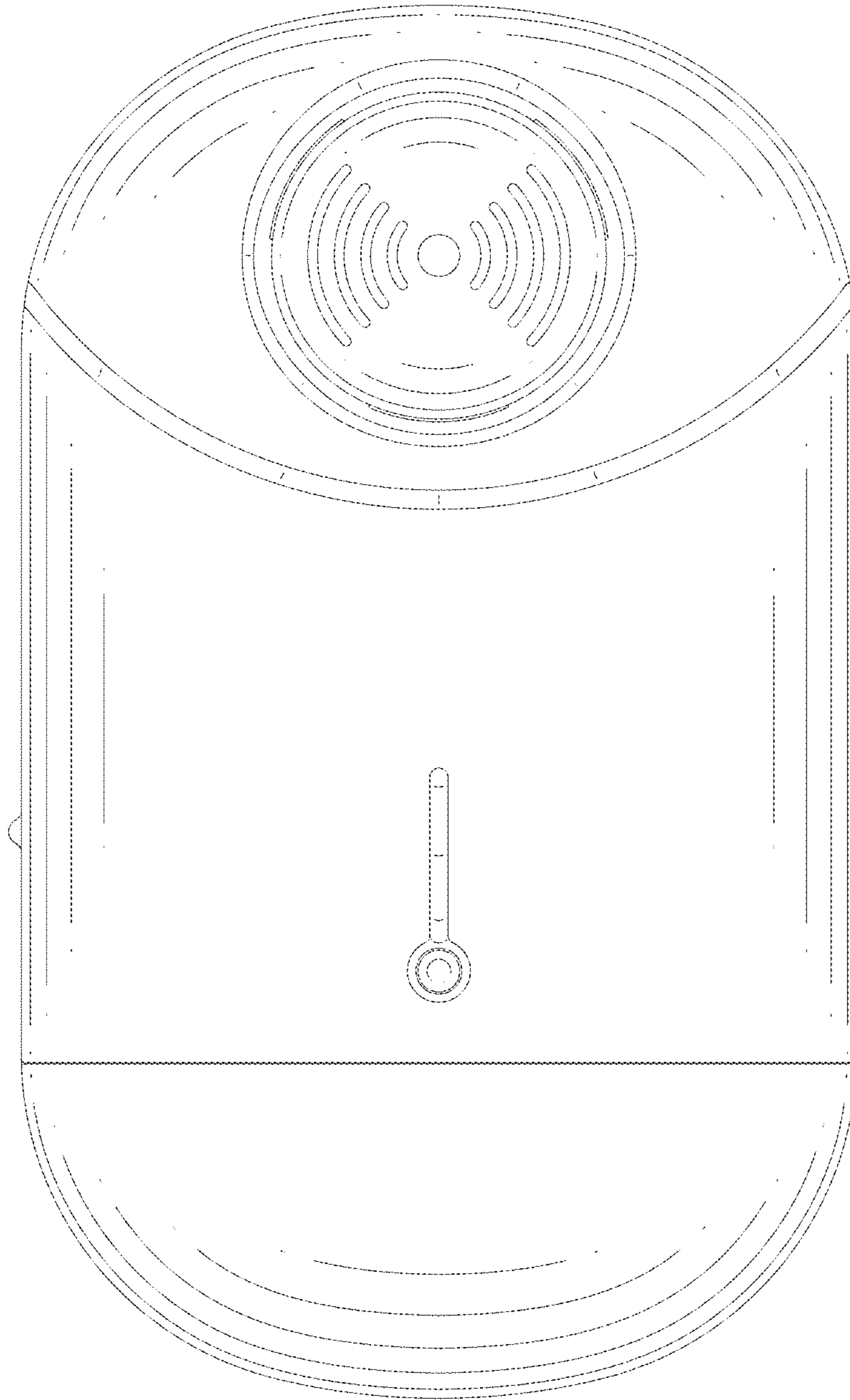


FIG.3

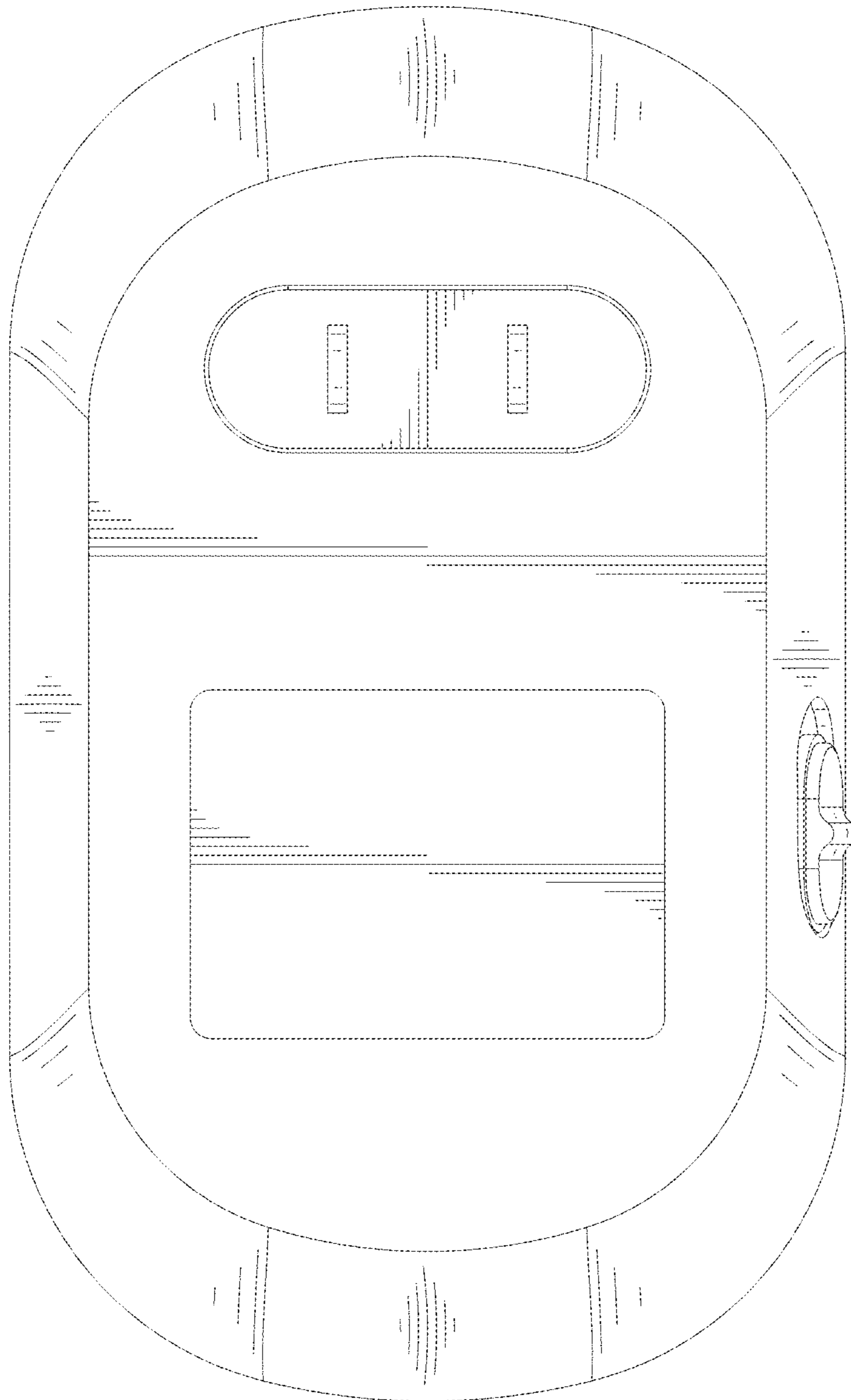


FIG.4

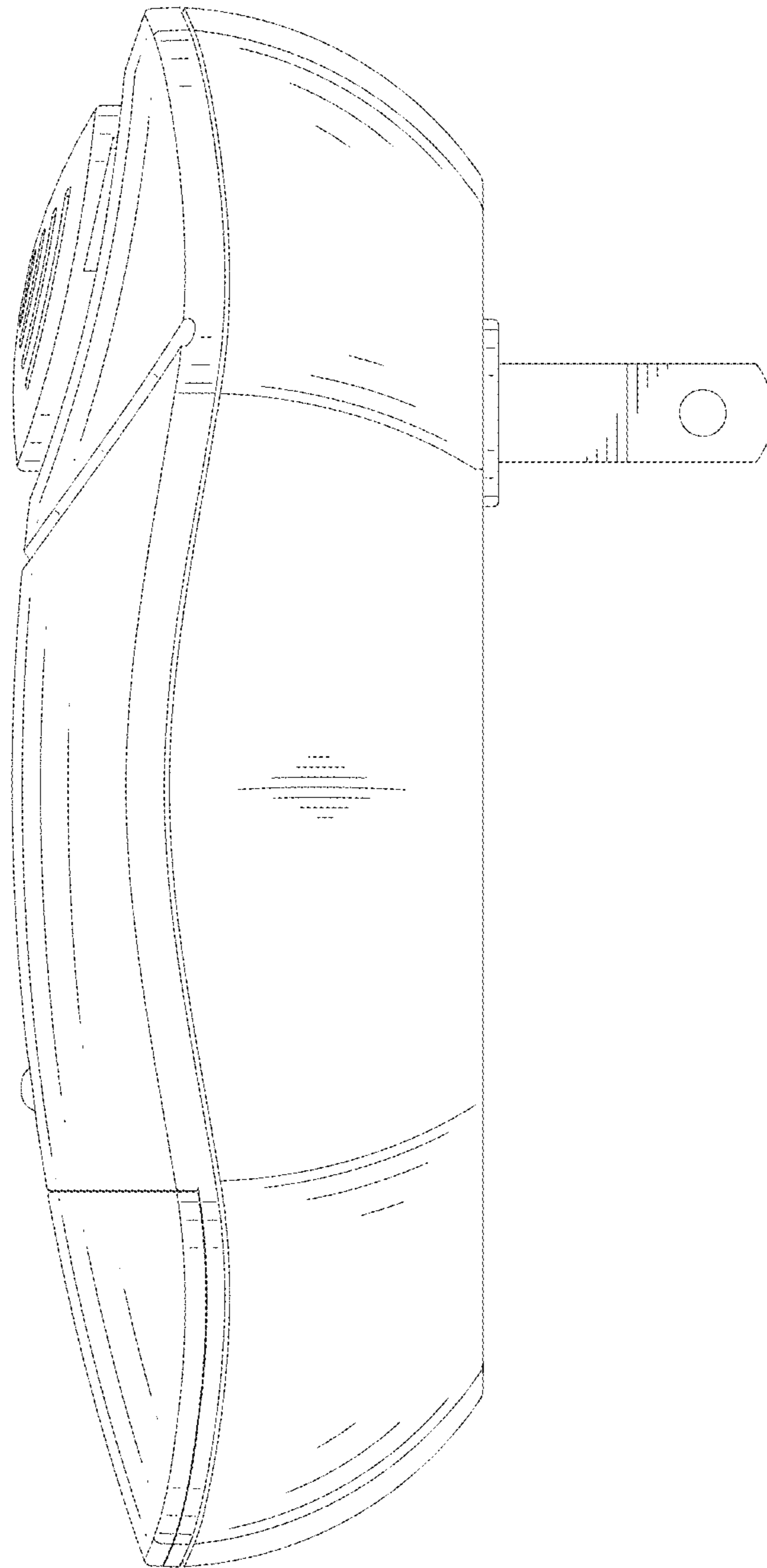


FIG.5

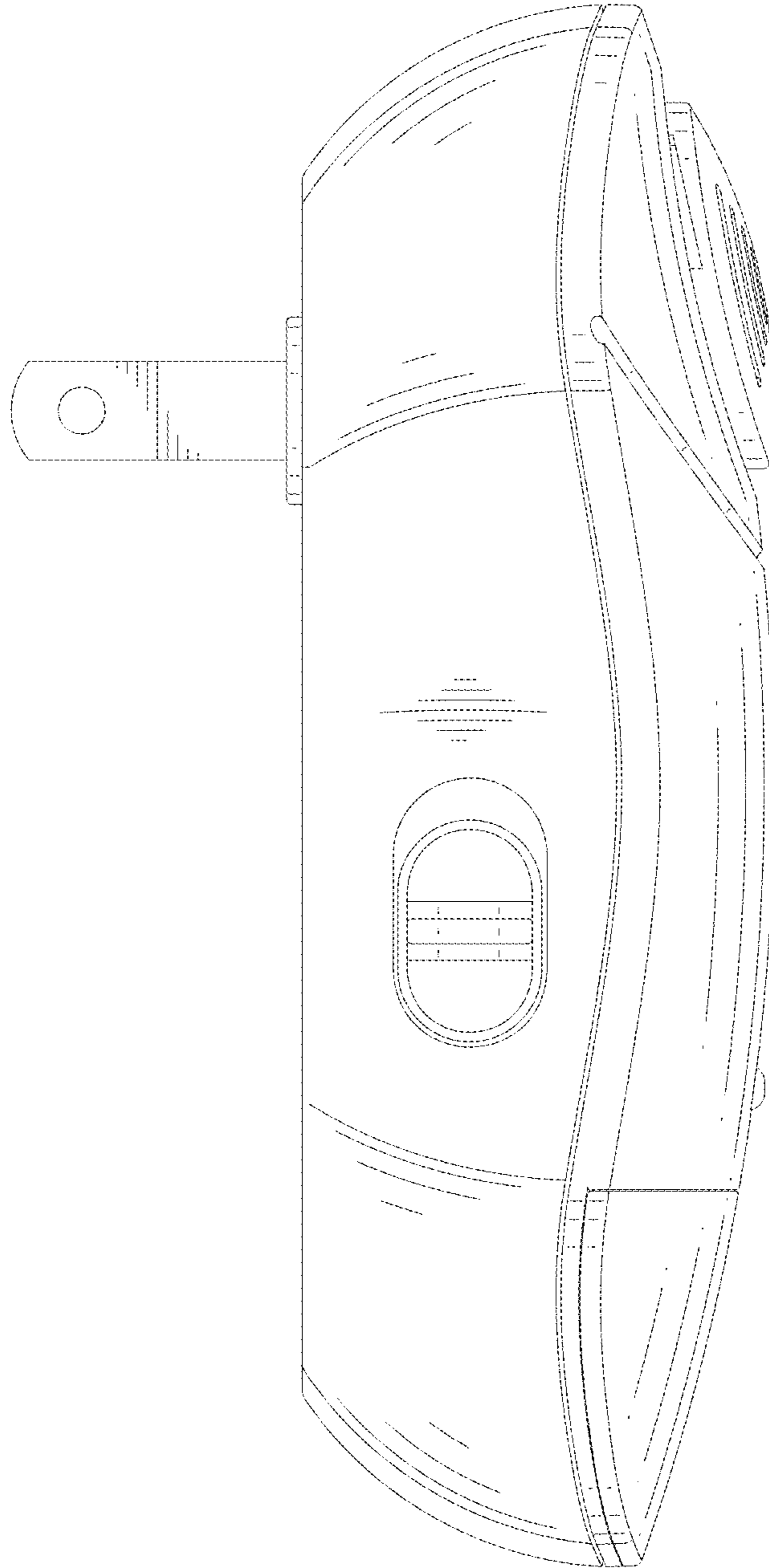


FIG.6

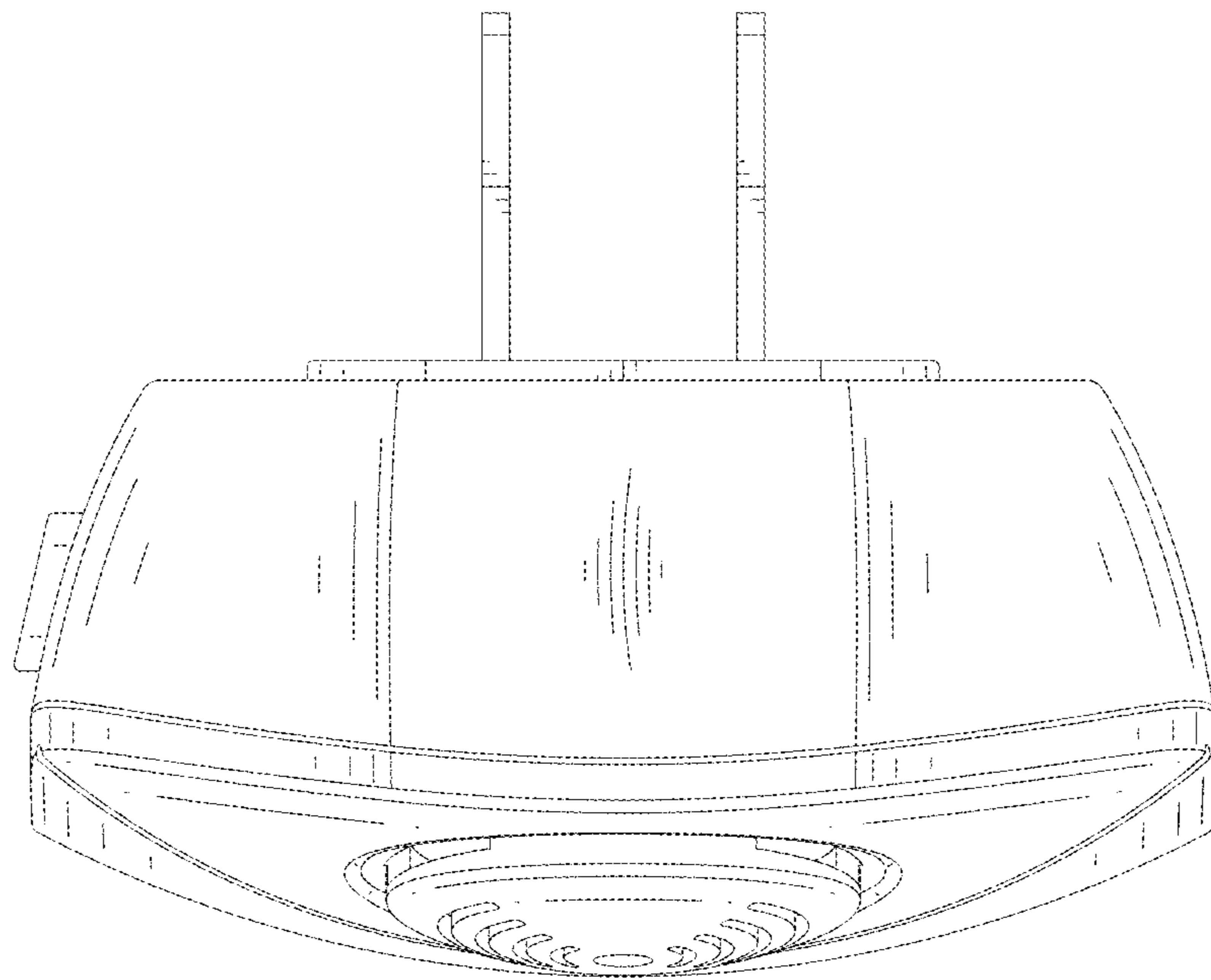


FIG.7



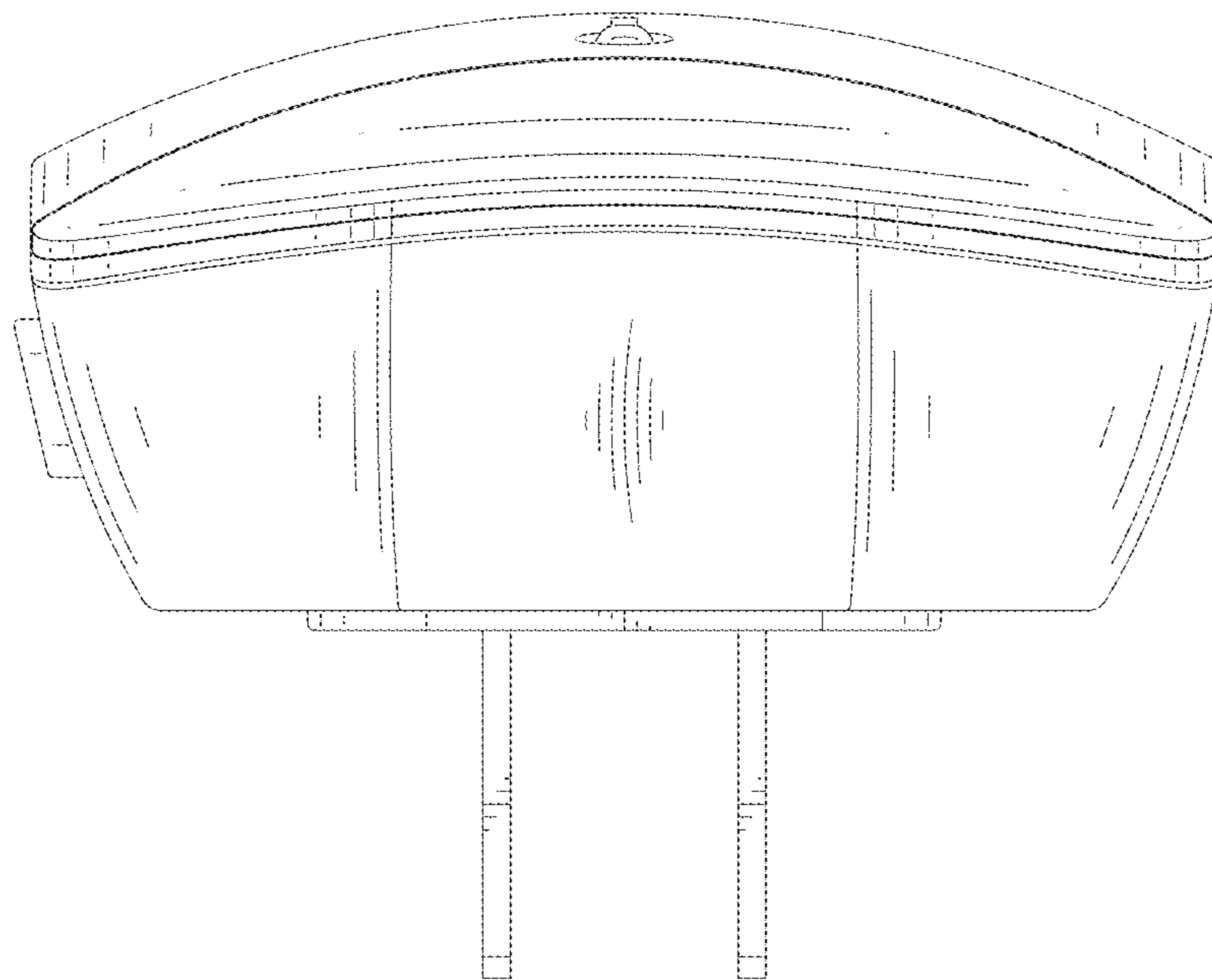


FIG.8