



US00D829847S

(12) **United States Design Patent** (10) **Patent No.:** **US D829,847 S**
Gu (45) **Date of Patent:** **** Oct. 2, 2018**

(54) **ELECTRONIC PEST REPELLER**
(71) Applicant: **Tijun Gu**, Shenzhen (CN)
(72) Inventor: **Tijun Gu**, Shenzhen (CN)
(**) Term: **15 Years**
(21) Appl. No.: **29/619,861**
(22) Filed: **Oct. 2, 2017**
(51) **LOC (11) Cl.** **22-06**
(52) **U.S. Cl.**
USPC **D22/120**
(58) **Field of Classification Search**
USPC D22/119-124; D23/366-367; 43/85, 88,
43/90-92, 107, 112-114, 124, 131, 132.1,
43/139
CPC A01M 1/04; A01M 1/023; A01M 1/223;
A01M 1/026; A01M 1/145; B01D
46/0005
See application file for complete search history.

D639,466 S * 6/2011 Feuerstein D22/120
D742,994 S * 11/2015 Mackay D22/122
D768,806 S * 10/2016 Wu D22/120
D779,026 S * 2/2017 Hou B01D 46/0005
D22/120
D779,626 S * 2/2017 Hou D22/120
D780,878 S * 3/2017 Zhang D22/120
D816,823 S * 5/2018 Gobber D23/366
D820,964 S * 6/2018 Servaire D23/366

* cited by examiner

Primary Examiner — Catherine R Oliver-Garcia
(74) *Attorney, Agent, or Firm* — Novoclaims Patent
Services LLC; Mei Lin Wong

(57) **CLAIM**

The ornamental design for an electronic pest repeller, as shown and described.

DESCRIPTION

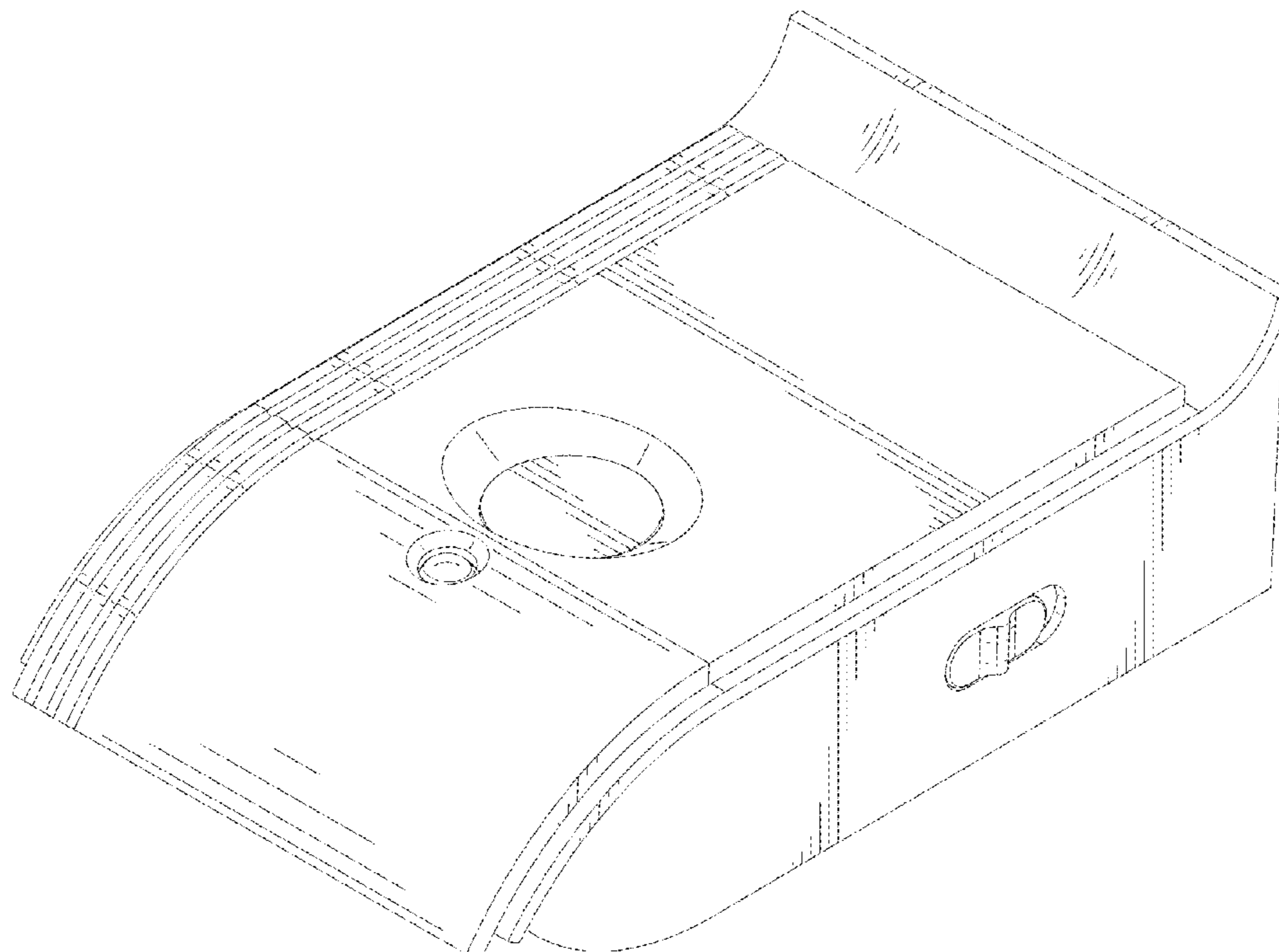
FIG. 1 is a perspective view of an electronic pest repeller, showing my new design.
FIG. 2 is a rear perspective view thereof.
FIG. 3 is a front view thereof.
FIG. 4 is a rear view thereof.
FIG. 5 is a left side view thereof.
FIG. 6 is a right side view thereof.
FIG. 7 is a top view thereof; and,
FIG. 8 is a bottom view thereof.

1 Claim, 8 Drawing Sheets

(56) **References Cited**

U.S. PATENT DOCUMENTS

5,425,197 A * 6/1995 Smith A01M 1/04
43/113
D395,529 S * 6/1998 Yuen D22/123
D469,147 S * 1/2003 Levine D22/120
D469,149 S * 1/2003 Levine D22/120
D469,499 S * 1/2003 Levine D22/120



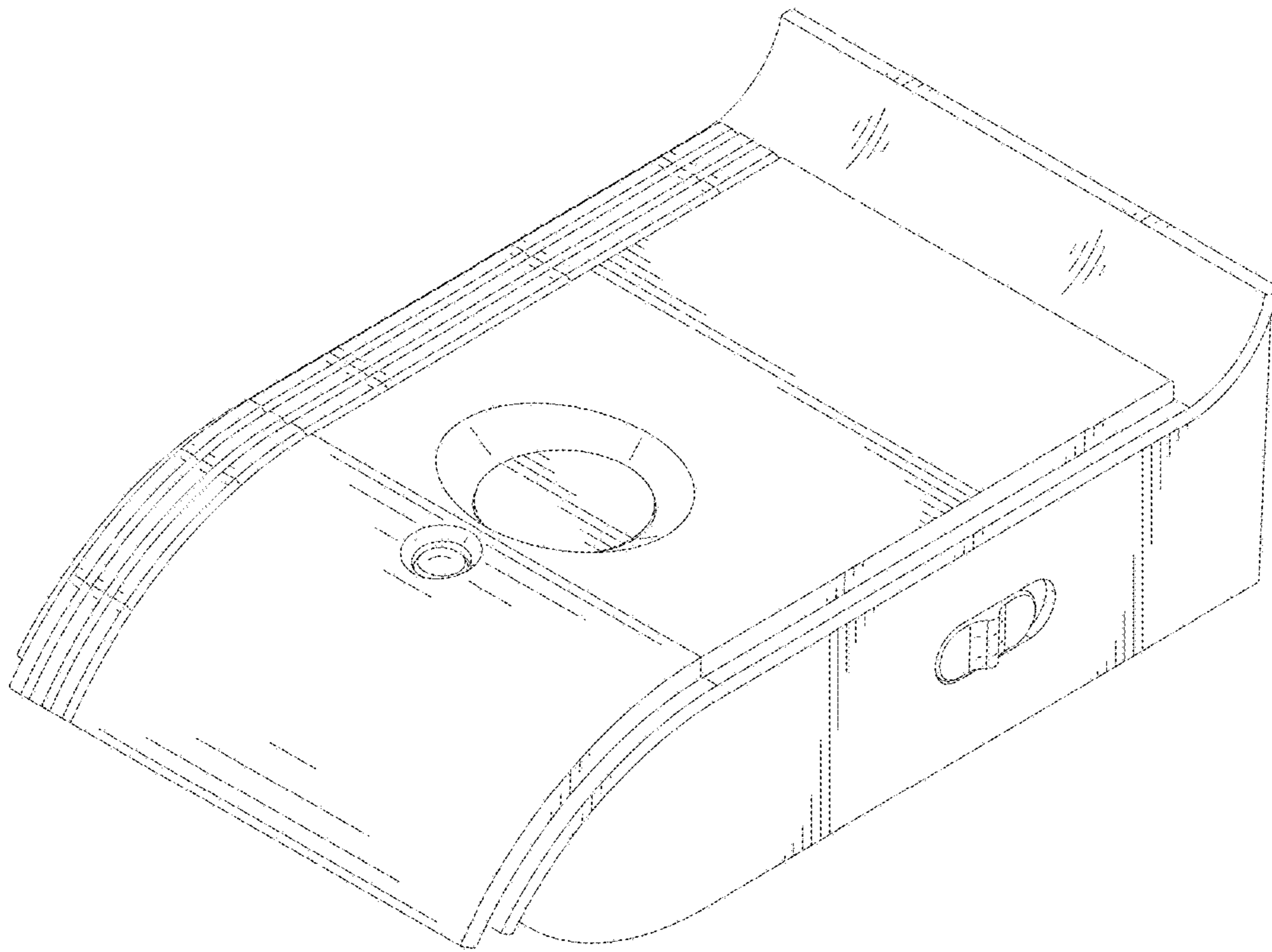


FIG.1

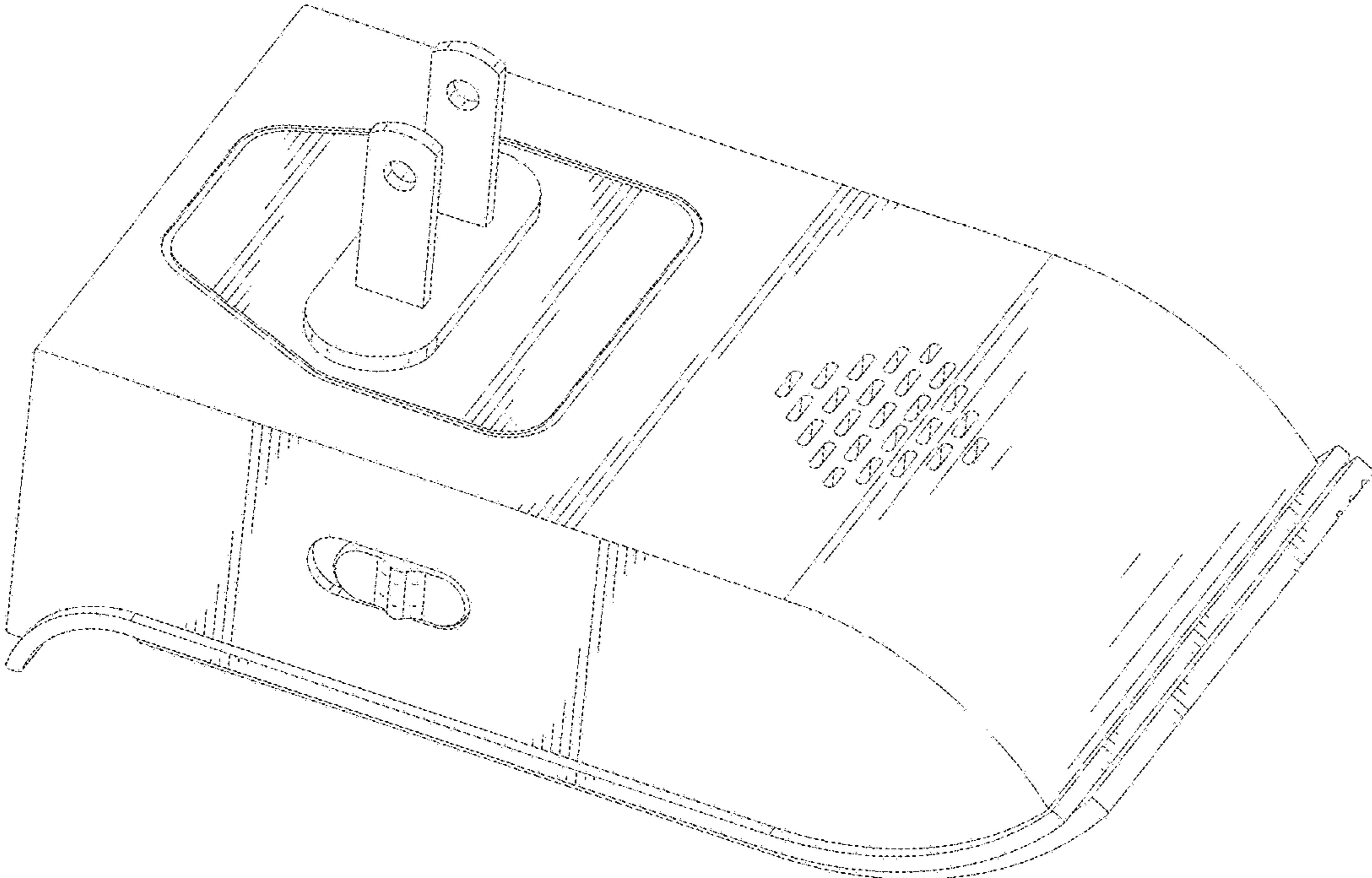


FIG.2

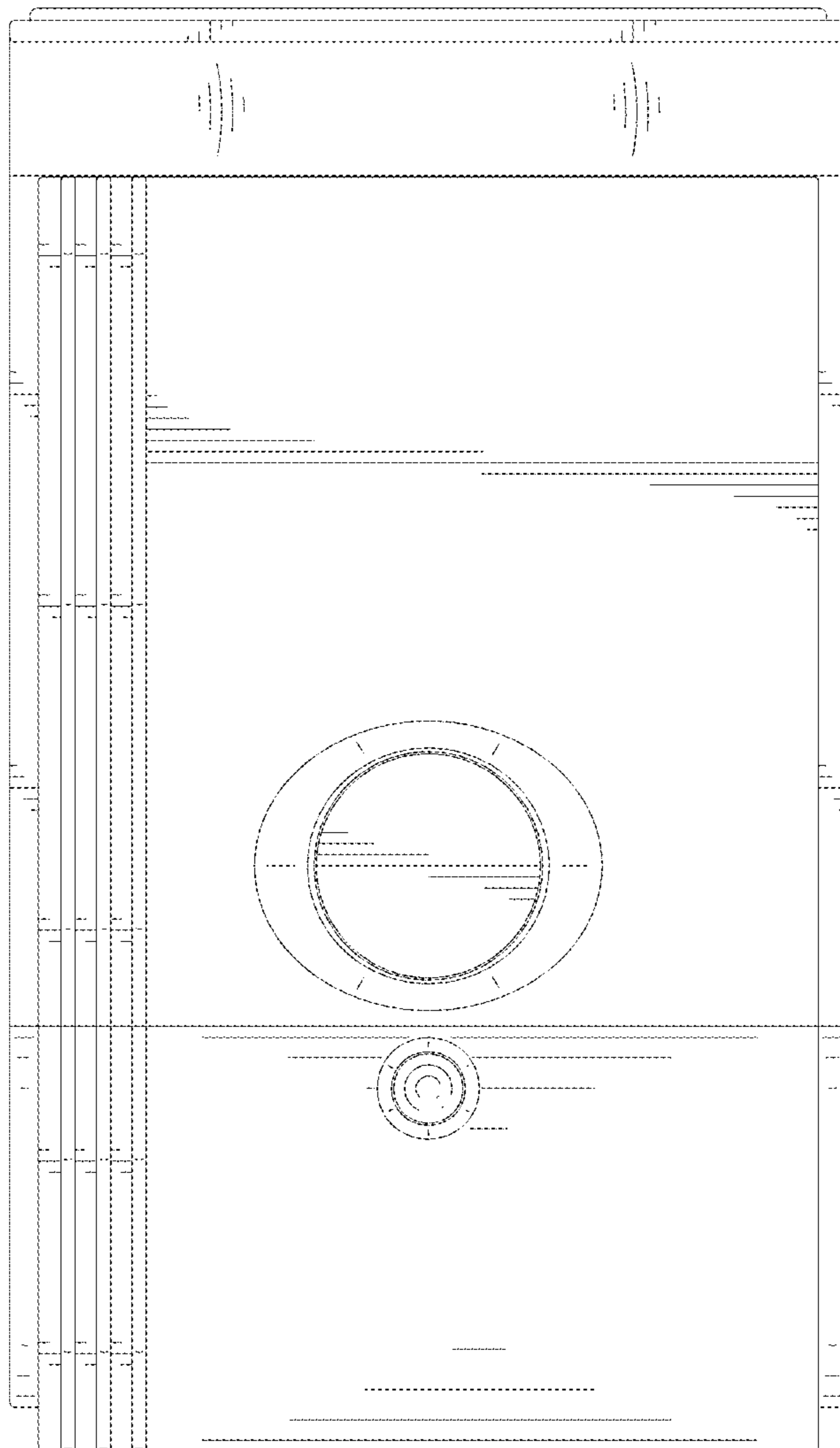


FIG.3

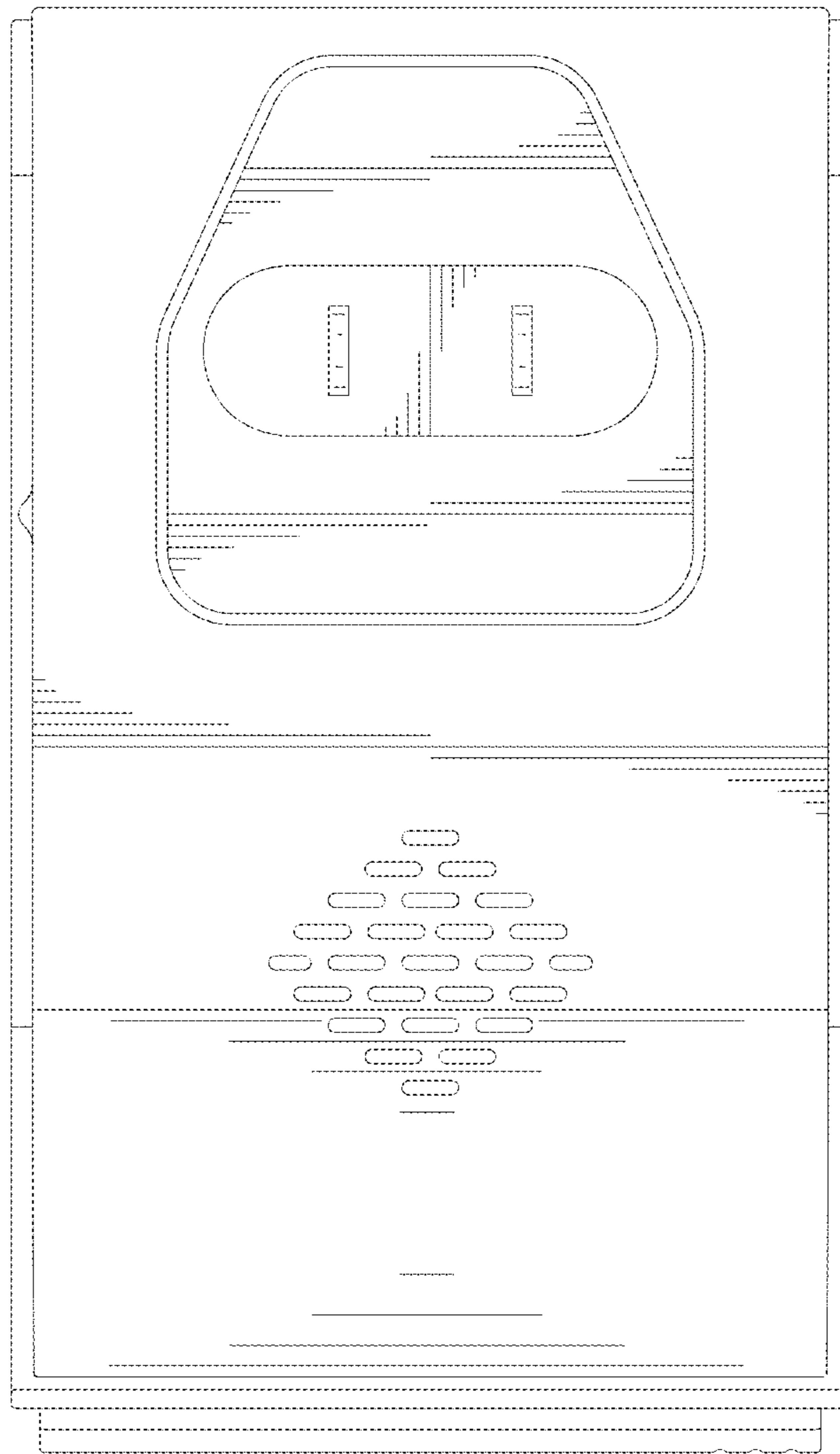


FIG.4

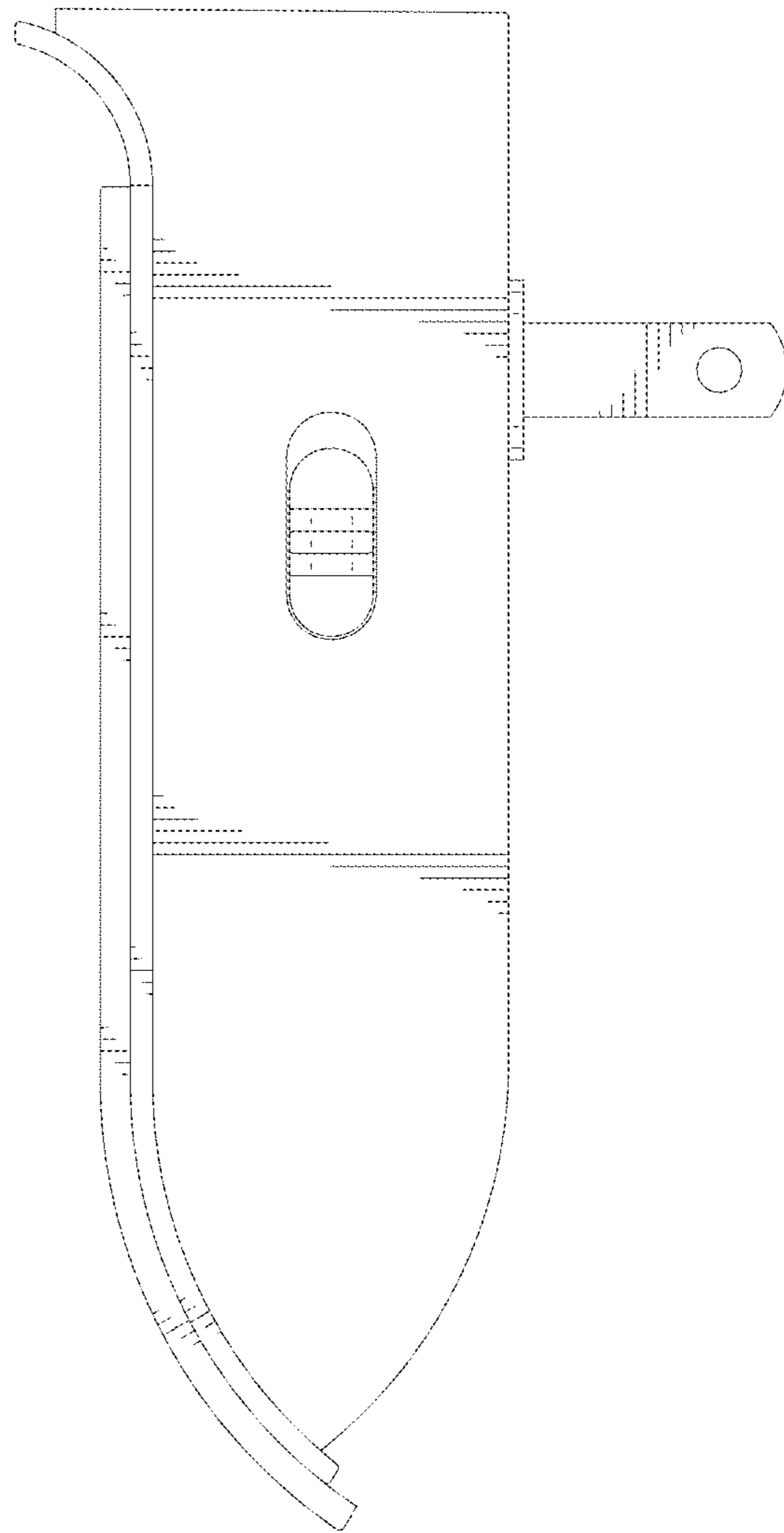


FIG.5

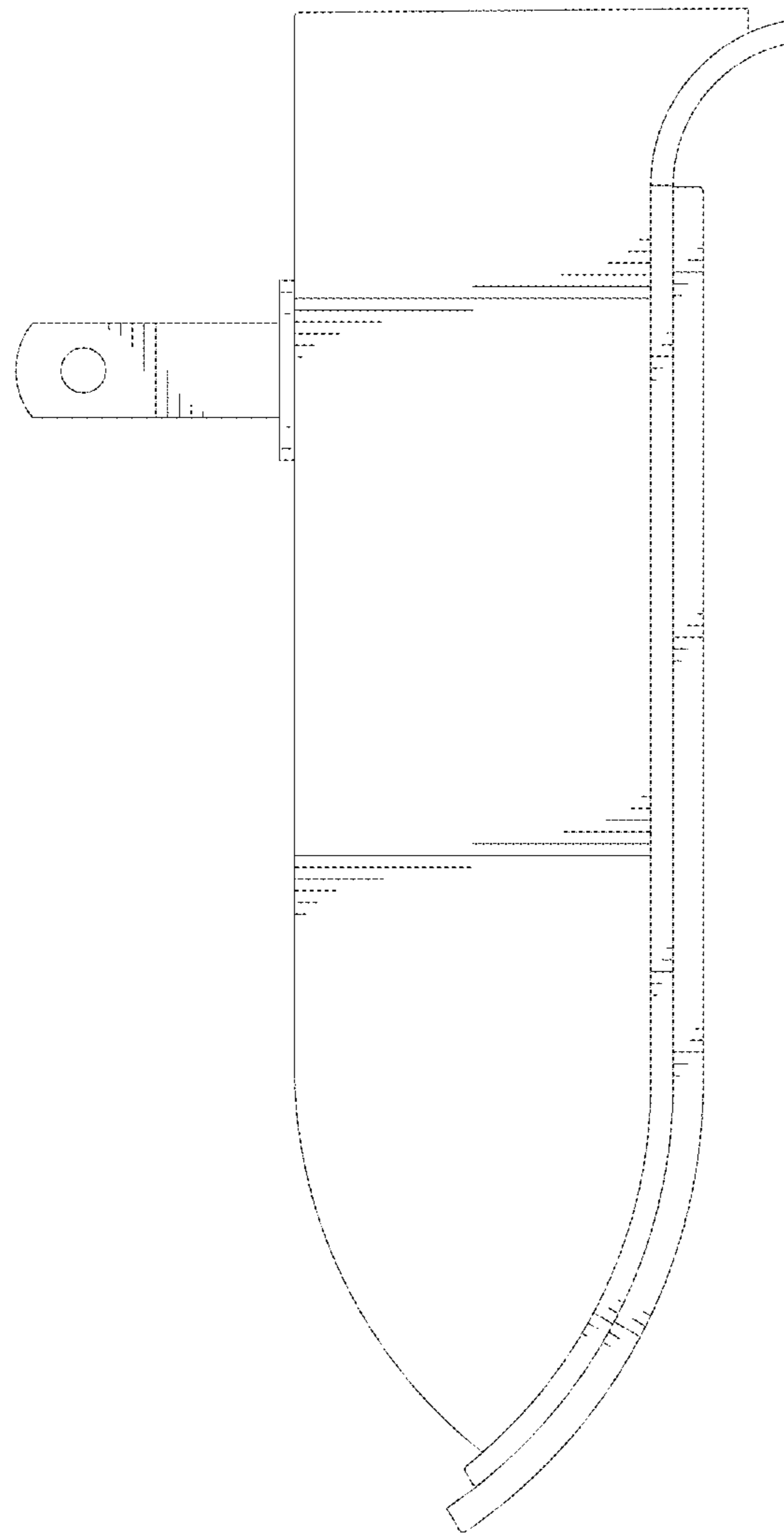


FIG.6

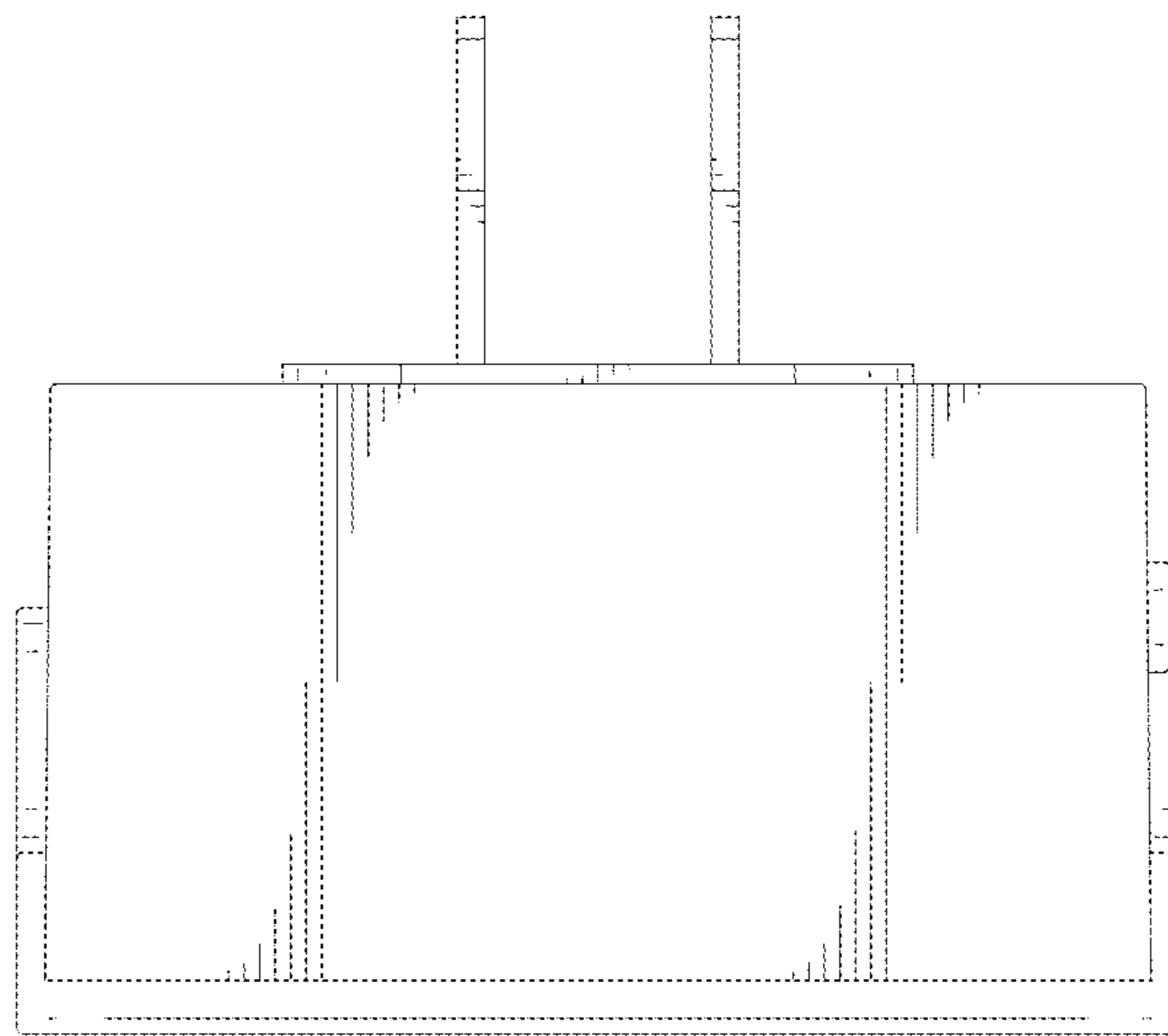


FIG.7

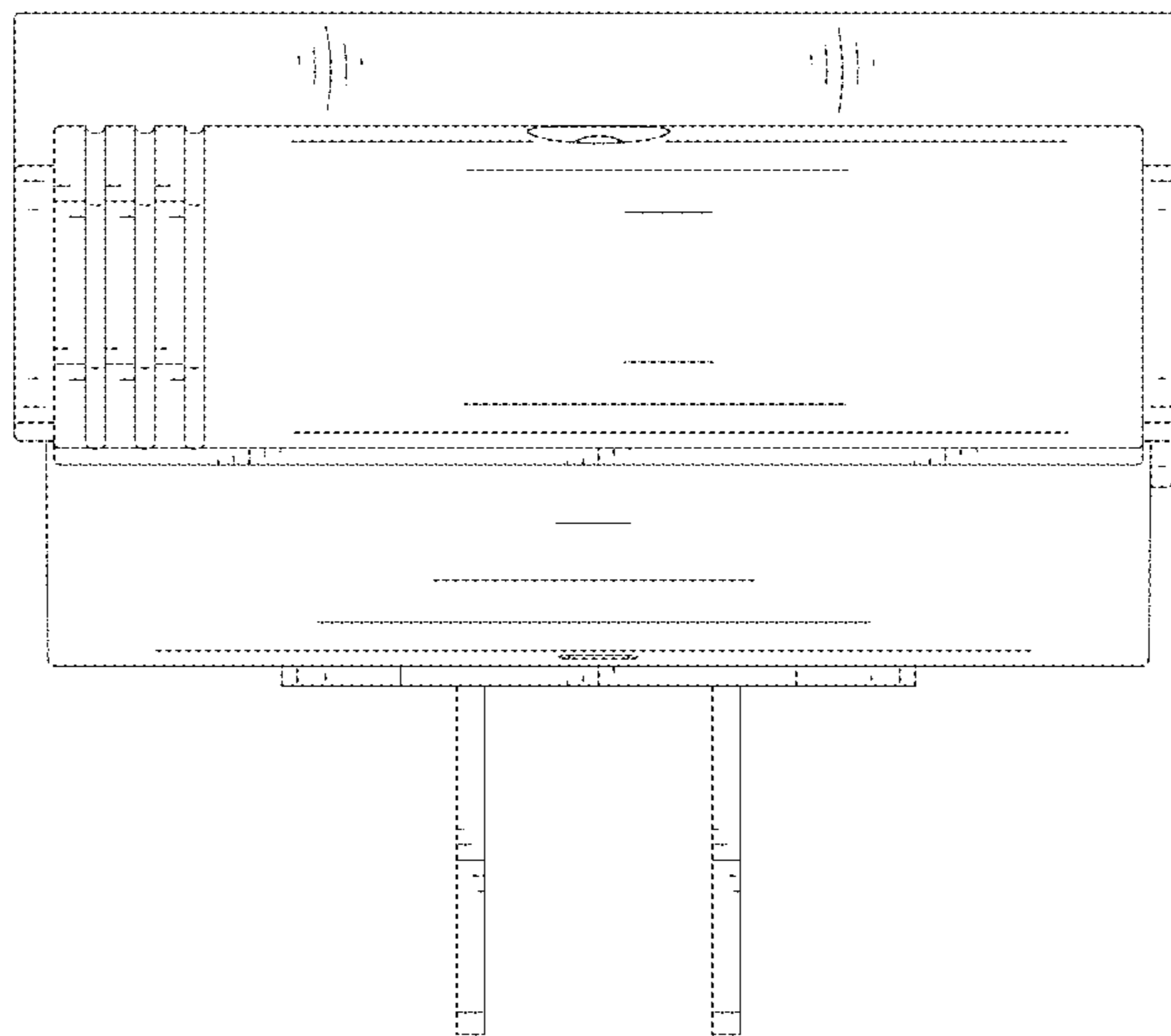


FIG.8