



US00D829846S

(12) **United States Design Patent**
Vickery et al.

(10) **Patent No.:** **US D829,846 S**
(45) **Date of Patent:** **** Oct. 2, 2018**

(54) **PEST TRAP**

(71) Applicant: **VM Products Inc.**, Bedford, TX (US)

(72) Inventors: **Ethan Vickery**, Colleyville, TX (US);
Jay Rasmussen, Bedford, TX (US)

(73) Assignee: **VM Products, Inc.**, Colleyville, TX (US)

(**) Term: **15 Years**

(21) Appl. No.: **29/603,555**

(22) Filed: **May 10, 2017**

(51) **LOC (11) Cl.** **22-06**

(52) **U.S. Cl.**
USPC **D22/119**

(58) **Field of Classification Search**
USPC D22/119–124; 43/121–122, 125, 127,
43/131, 132.1; D23/369; 422/123, 126;
119/51.01

(Continued)

(56) **References Cited**

U.S. PATENT DOCUMENTS

759,030 A 5/1904 Sheaffer
RE14,782 E 12/1919 Hedrich et al.

(Continued)

FOREIGN PATENT DOCUMENTS

DE 3140658 A1 4/1983
DE 10207916 C1 4/2003

(Continued)

OTHER PUBLICATIONS

“Protecta Mouse Bait Station Features,” RTU Mouse Bait Stations,
<http://www.rodentcontrols.com/mouse-bait-stations-rtu.htm>, published Jun. 2004.

(Continued)

Primary Examiner — Catherine R Oliver-Garcia

(74) *Attorney, Agent, or Firm* — Norton Rose Fulbright US LLP

(57) **CLAIM**

The ornamental designs for pest trap, as shown and described.

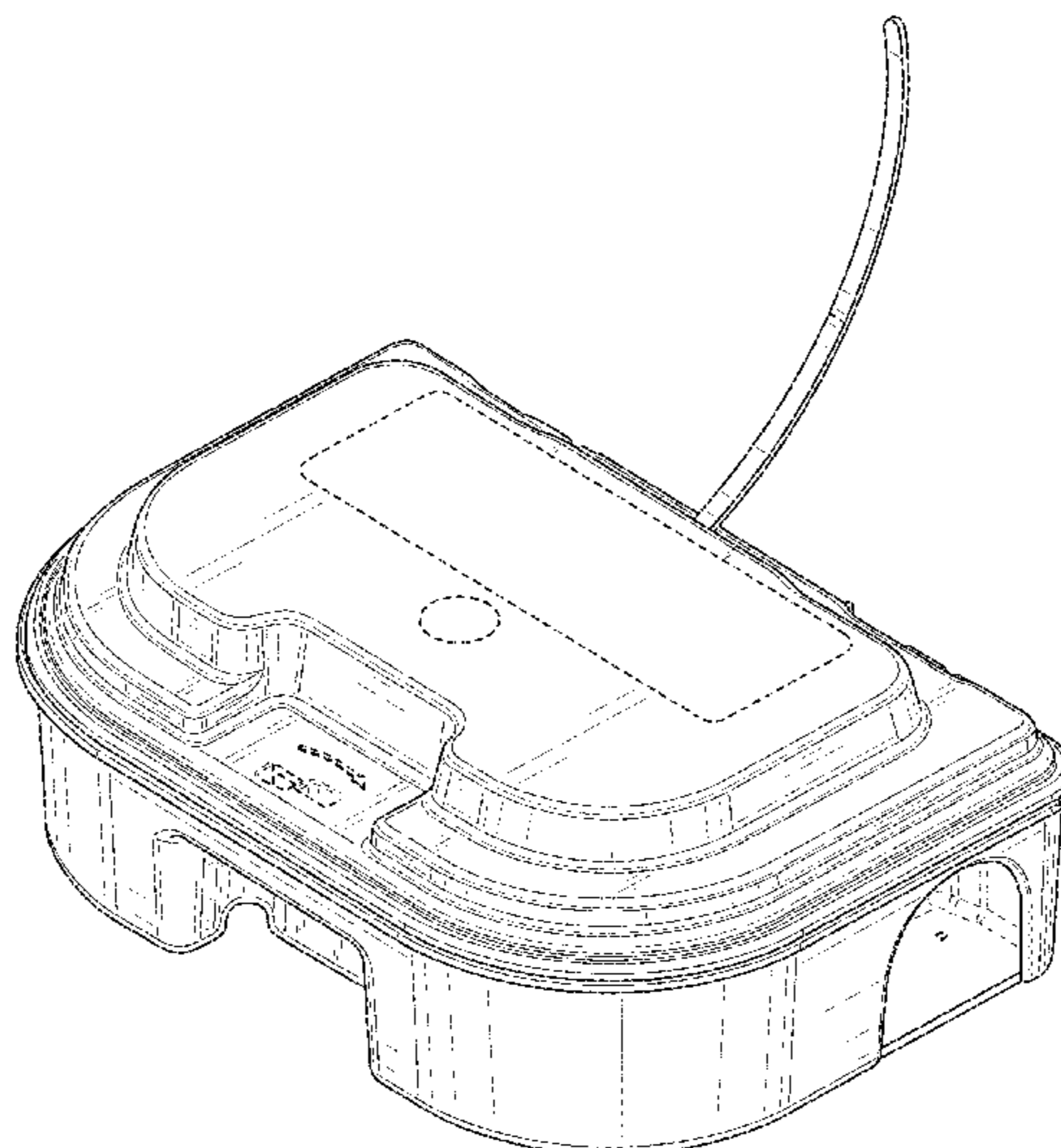
DESCRIPTION

FIG. 1 is a front perspective view of the first embodiment of a pest trap showing our new design; FIG. 2 is a rear perspective view of the first embodiment; FIG. 3 is a front view of the first embodiment; FIG. 4 is a rear view of the first embodiment; FIG. 5 is a left side view of the first embodiment; FIG. 6 is a right side view of the first embodiment; FIG. 7 is a top view of the first embodiment; FIG. 8 is a bottom view of the first embodiment; FIG. 9 is a front perspective view of a second embodiment of our design; FIG. 10 is a rear perspective view of the second embodiment; FIG. 11 is a front view of the second embodiment; FIG. 12 is a rear view of the second embodiment; FIG. 13 is a left side view of the second embodiment; FIG. 14 is a right side view of the second embodiment; FIG. 15 is a top view of the second embodiment; and, FIG. 16 is a bottom view of the second embodiment.

The dashed lines in the figures form no part of the claimed designs. Surface shading in the figures is provided solely to indicate contour. All other surface(s) or portion(s) of our pest trap not shown in the figures or otherwise described in the specification form no part of the claimed designs.

In other embodiments of our designs, dashed line(s) indicating any unclaimed feature(s) may be replaced with solid line(s) to claim those feature(s) and/or solid line(s) indicating any claimed feature(s) may be replaced with dashed line(s) so as not to claim those feature(s).

1 Claim, 16 Drawing Sheets



(58) **Field of Classification Search**
 CPC A01M 1/2005; A01M 1/2006; A01M
 2200/012; A01M 25/00; A01M 25/004;
 A61L 9/03
 See application file for complete search history.

(56) **References Cited**

U.S. PATENT DOCUMENTS

1,443,287 A 1/1923 Snyder et al.
 1,729,389 A 9/1929 Hughett
 2,569,833 A 10/1951 Simpson
 2,710,485 A 6/1955 Starr
 2,736,127 A 2/1956 McCann
 2,750,707 A 6/1956 Ekstedt
 2,837,861 A 6/1958 Graham
 2,896,361 A 7/1959 Allen
 2,950,562 A 8/1960 Lothrop
 2,953,868 A 9/1960 Chambers
 3,271,894 A 9/1966 Manno et al.
 3,303,600 A 2/1967 Freeman
 3,318,039 A 5/1967 MacDonald et al.
 3,343,744 A 9/1967 Morell et al.
 3,427,743 A 2/1969 Brunner et al.
 3,471,114 A 10/1969 Ball
 3,488,879 A 1/1970 Laughlin
 3,704,539 A 12/1972 Alvarez
 3,821,861 A 7/1974 Jalbert
 3,978,607 A 9/1976 Piere
 4,026,064 A 5/1977 Baker
 4,030,230 A 6/1977 Souza
 4,182,070 A 1/1980 Connelly
 4,208,829 A 6/1980 Manning
 4,226,042 A 10/1980 Gilbert
 D258,751 S * 3/1981 Lindley D22/122
 4,270,299 A 6/1981 Long
 4,277,907 A 7/1981 Ernest
 4,328,637 A 5/1982 Eichmuller et al.
 4,349,982 A 9/1982 Sherman
 4,400,904 A 8/1983 Baker
 4,407,427 A 10/1983 Reuter
 4,418,493 A 12/1983 Jordan
 4,438,606 A 3/1984 Chardon et al.
 4,453,337 A * 6/1984 Williams A01M 25/004
 43/131
 4,485,582 A 12/1984 Morris
 4,486,973 A 12/1984 Faucillon
 4,521,987 A 6/1985 Knote
 4,541,198 A 9/1985 Sherman
 4,570,377 A 2/1986 Primavera
 4,574,519 A 3/1986 Eckebrecht
 4,611,426 A 9/1986 Willis
 4,619,071 A 10/1986 Willis
 4,648,201 A 3/1987 Sherman
 4,660,320 A 4/1987 Baker et al.
 4,753,032 A 6/1988 Sherman
 4,833,819 A 5/1989 Sherman
 4,835,902 A 6/1989 Sherman
 4,870,780 A 10/1989 Sherman
 4,874,103 A 10/1989 Quisenberry et al.
 4,905,407 A 3/1990 Sherman
 5,014,943 A 5/1991 Nelson et al.
 5,038,516 A 8/1991 Doucette
 5,040,327 A 8/1991 Stack et al.
 5,131,184 A 7/1992 Harrison
 5,136,803 A 8/1992 Sykes et al.
 5,272,832 A 12/1993 Marshall et al.
 5,379,545 A 1/1995 Gall
 5,446,992 A 9/1995 Stewart
 5,448,852 A 9/1995 Spragins et al.
 5,513,465 A 5/1996 Demarest et al.
 5,549,214 A 8/1996 Harris
 5,806,237 A * 9/1998 Nelson A01M 25/004
 43/131
 5,873,193 A 2/1999 Jensen
 5,953,853 A 9/1999 Kim
 5,953,854 A 9/1999 Hyatt

5,966,863 A 10/1999 Payton et al.
 5,987,811 A 11/1999 Wiesener et al.
 6,058,646 A 5/2000 Bishoff et al.
 6,082,042 A 7/2000 Issitt
 6,155,002 A 12/2000 Holder
 6,158,166 A 12/2000 Snell et al.
 6,219,960 B1 4/2001 Contadini et al.
 6,343,434 B1 2/2002 Petti
 6,378,243 B1 4/2002 Snell et al.
 6,397,517 B1 6/2002 Leyerle et al.
 6,470,622 B1 10/2002 Braun
 6,474,016 B2 11/2002 Snell et al.
 6,493,988 B1 12/2002 Johnson
 6,513,283 B1 2/2003 Crossen
 6,618,983 B1 9/2003 Spragins
 6,637,717 B2 10/2003 Li
 6,651,378 B2 * 11/2003 Baker A01M 1/2005
 43/121
 6,671,999 B1 1/2004 Doucette
 6,729,067 B2 5/2004 Lund et al.
 6,792,713 B2 9/2004 Snell
 6,807,768 B2 10/2004 Johnson et al.
 6,874,274 B2 4/2005 Townsend
 6,901,694 B1 6/2005 Neault et al.
 6,910,300 B1 6/2005 Warren
 7,377,072 B2 5/2008 Meier et al.
 7,647,723 B2 1/2010 Klein et al.
 7,669,363 B2 3/2010 Frisch
 7,735,258 B2 6/2010 Vickery
 7,874,098 B2 1/2011 Vickery et al.
 8,209,900 B2 7/2012 Vickery et al.
 D686,689 S * 7/2013 Bernard D22/122
 8,701,594 B2 * 4/2014 Vickery A01M 25/004
 43/131
 D712,503 S * 9/2014 Aiston D22/122
 D722,128 S * 2/2015 Wang D22/122
 D809,086 S * 1/2018 Rodgers D22/119
 D811,517 S * 2/2018 Chapin D22/122
 2002/0043018 A1 4/2002 Townsend
 2004/0181996 A1 9/2004 Johnson et al.
 2004/0244274 A1 12/2004 Dellevigne et al.
 2005/0028431 A1 2/2005 Hoyes et al.
 2005/0097808 A1 5/2005 Vorhies et al.
 2005/0102887 A1 5/2005 Lang et al.
 2005/0132637 A1 6/2005 Deakins
 2005/0198893 A1 9/2005 Bernard et al.
 2005/0235553 A1 10/2005 Rail
 2006/0117644 A1 6/2006 Hoyes et al.
 2006/0242890 A1 11/2006 Ethan
 2006/0265944 A1 11/2006 Meier et al.
 2008/0072475 A1 3/2008 Nelson et al.
 2008/0302000 A1 12/2008 Kidder
 2009/0056199 A1 3/2009 Reed
 2009/0094884 A1 4/2009 Cink
 2009/0139133 A1 6/2009 Harper
 2009/0229170 A1 9/2009 Gaibotti
 2009/0307963 A1 12/2009 Abbas
 2010/0031557 A1 2/2010 Vickery et al.
 2010/0050498 A1 3/2010 Nelson et al.
 2010/0170141 A1 7/2010 Cink et al.
 2010/0251598 A1 10/2010 Vickery et al.
 2010/0313466 A1 12/2010 Vickery
 2010/0325940 A1 12/2010 Pryor et al.
 2011/0219666 A1 9/2011 Vickery et al.

FOREIGN PATENT DOCUMENTS

EP 442190 1/1994
 EP 599755 A1 6/1994
 EP 745323 12/1996
 EP 1201124 A2 5/2002
 EP 1350430 10/2003
 EP 1459625 9/2004
 EP 2100504 A2 9/2009
 EP 2100504 A3 9/2010
 FR 2 855 720 12/2004
 GB 2 249 249 5/1992
 GB 2 384 966 8/2003
 JP 2009159938 7/2009

(56)

References Cited

FOREIGN PATENT DOCUMENTS

WO	WO 1998/010645	3/1998
WO	WO 1999/003340	1/1999
WO	WO 2001/037651	5/2001
WO	WO 2002/013604	2/2002
WO	WO 2002/102147	12/2002
WO	WO 2003/009683	2/2003
WO	WO 2003/045138	6/2003
WO	WO 2004/084625	10/2004
WO	WO 2005/006857	1/2005
WO	WO 2007/147550	12/2007
WO	WO 2008/035304	3/2008
WO	WO 2010/017306	2/2010
WO	WO 2010/033908	3/2010
WO	WO 2010/151730	12/2010

OTHER PUBLICATIONS

"Rodent Bait Stations," accessed from <http://store.doyourownpestcontrol.com/Catalog/Rat-Rodent-Control-Products> on Jan. 13, 2011.

Notice of Allowance issued in U.S. Appl. No. 12/186,436, dated Sep. 15, 2010.

Notice of Allowance, issued in U.S. Appl. No. 10/550,378, dated Mar. 16, 2010.

Notice to Manufacturers, Formulators Registrants and Users of Pesticides, United States Environmental Protection Agency, Washington D.C., Sep. 16, 1994.

Office Action issued in U.S. Appl. No. 13/013,665, dated Aug. 29, 2011.

Office Action, issued in U.S. Appl. No. 10/550,378, dated Aug. 21, 2007.

Office Action, issued in U.S. Appl. No. 10/550,378, dated Dec. 28, 2007.

Office Action, issued in U.S. Appl. No. 10/550,378, dated Sep. 19, 2008.

Office Action, issued in U.S. Appl. No. 10/550,378, dated Feb. 18, 2009.

Office Action, issued in U.S. Appl. No. 10/550,378, dated Jul. 8, 2009.

Office Action, issued in U.S. Appl. No. 10/550,378, dated Nov. 12, 2009.

Office Action, issued in U.S. Appl. No. 11/786,355, dated Jul. 14, 2009.

Office Action, issued in U.S. Appl. No. 11/786,355, dated Jan. 19, 2010.

Office Action, issued in U.S. Appl. No. 11/786,355, dated Aug. 18, 2010.

Office Action, issued in U.S. Appl. No. 11/786,355, dated Apr. 15, 2011.

Office Action, issued in U.S. Appl. No. 12/816,300, dated Aug. 25, 2011.

Office Action, issued in U.S. Appl. No. 12/816,306, dated Jun. 28, 2011.

Office Action, issued in U.S. Appl. No. 12/816,306, dated Sep. 30, 2010.

Office Action, issued in U.S. Appl. No. 12/816,315, dated Sep. 30, 2010.

Office Action, issued in U.S. Appl. No. 12/816,315, dated Jun. 15, 2011.

PCT International Search Report and Written Opinion, issued in International Application No. PCT/2009/052868, dated Apr. 28, 2010.

PCT International Search Report, issued in International application No. PCT/US2009/056246, dated Jun. 25, 2010.

PCT Invitation to Pay Additional Fees, in Int. App. No. PCT/US2009/052868, mailed Mar. 4, 2010.

Response to Office Action, issued in U.S. Appl. No. 12/816,315, dated Mar. 30, 2011.

Response to Office Action, issued in U.S. Appl. No. 12/816,306, dated Mar. 30, 2011.

Response to Office Action, submitted in U.S. Appl. No. 10/550,378, dated Jun. 27, 2008.

Response to Office Action, submitted in U.S. Appl. No. 10/550,378, dated Dec. 9, 2008.

Response to Office Action, submitted in U.S. Appl. No. 10/550,378, dated May 13, 2009.

Response to Office Action, submitted in U.S. Appl. No. 10/550,378, dated Aug. 26, 2009.

Response to Office Action, submitted in U.S. Appl. No. 10/550,378, dated Feb. 12, 2010.

Response to Office Action, submitted in U.S. Appl. No. 10/550,378, dated Oct. 25, 2007.

Response to Office Action, submitted in U.S. Appl. No. 11/786,355, dated Nov. 16, 2009.

Response to Office Action, submitted in U.S. Appl. No. 11/786,355, dated May 24, 2010.

Response to Office Action, submitted in U.S. Appl. No. 13/013,665, dated Feb. 29, 2012.

Spurr et al., "Bait station preferences of Norway rats," Doc Research & Development Series 255, 2006.

Supplemental Response to Office Action, submitted in U.S. Appl. No. 10/550,378, dated May 13, 2009.

* cited by examiner

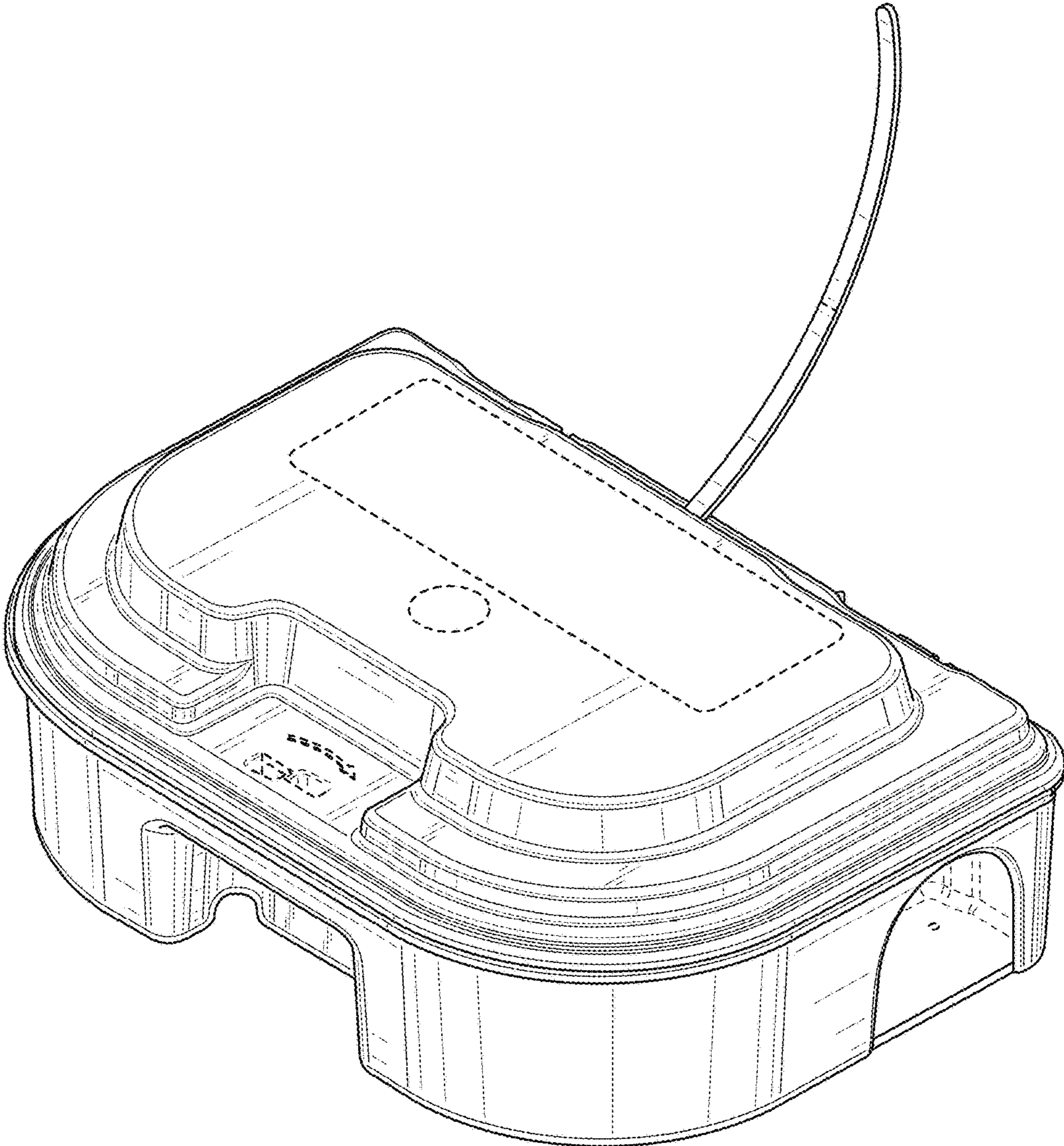


FIG. 1

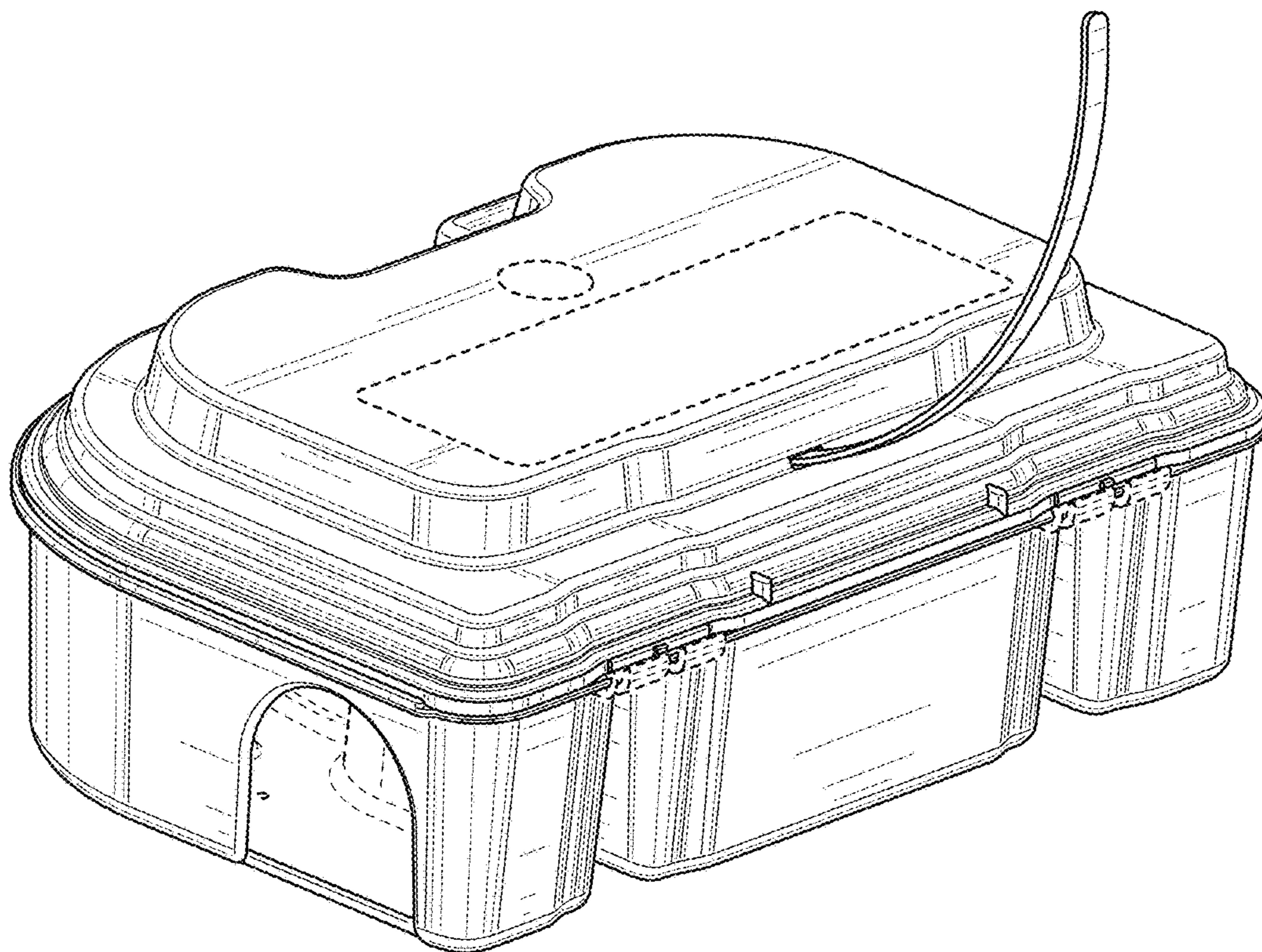


FIG. 2

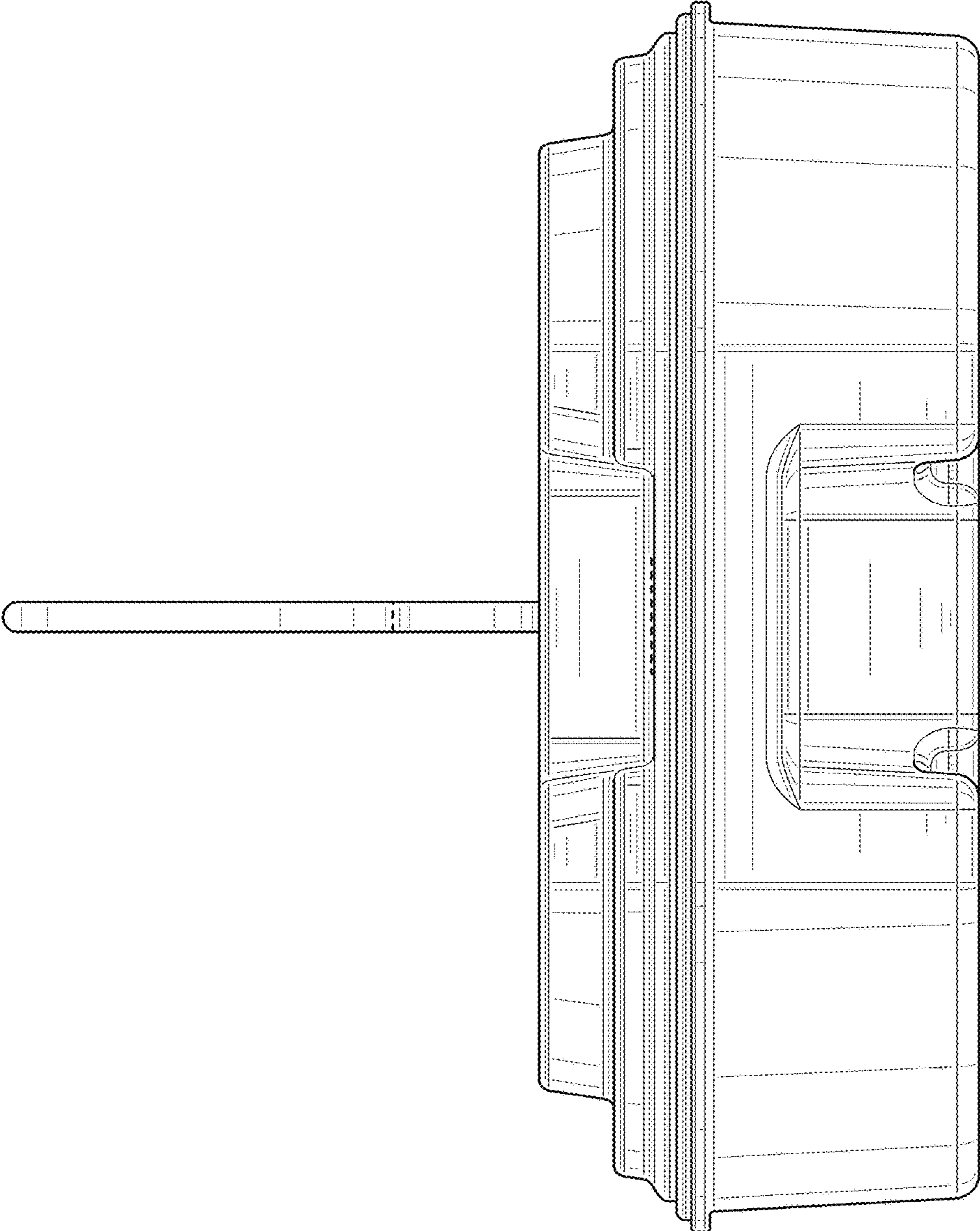


FIG. 3

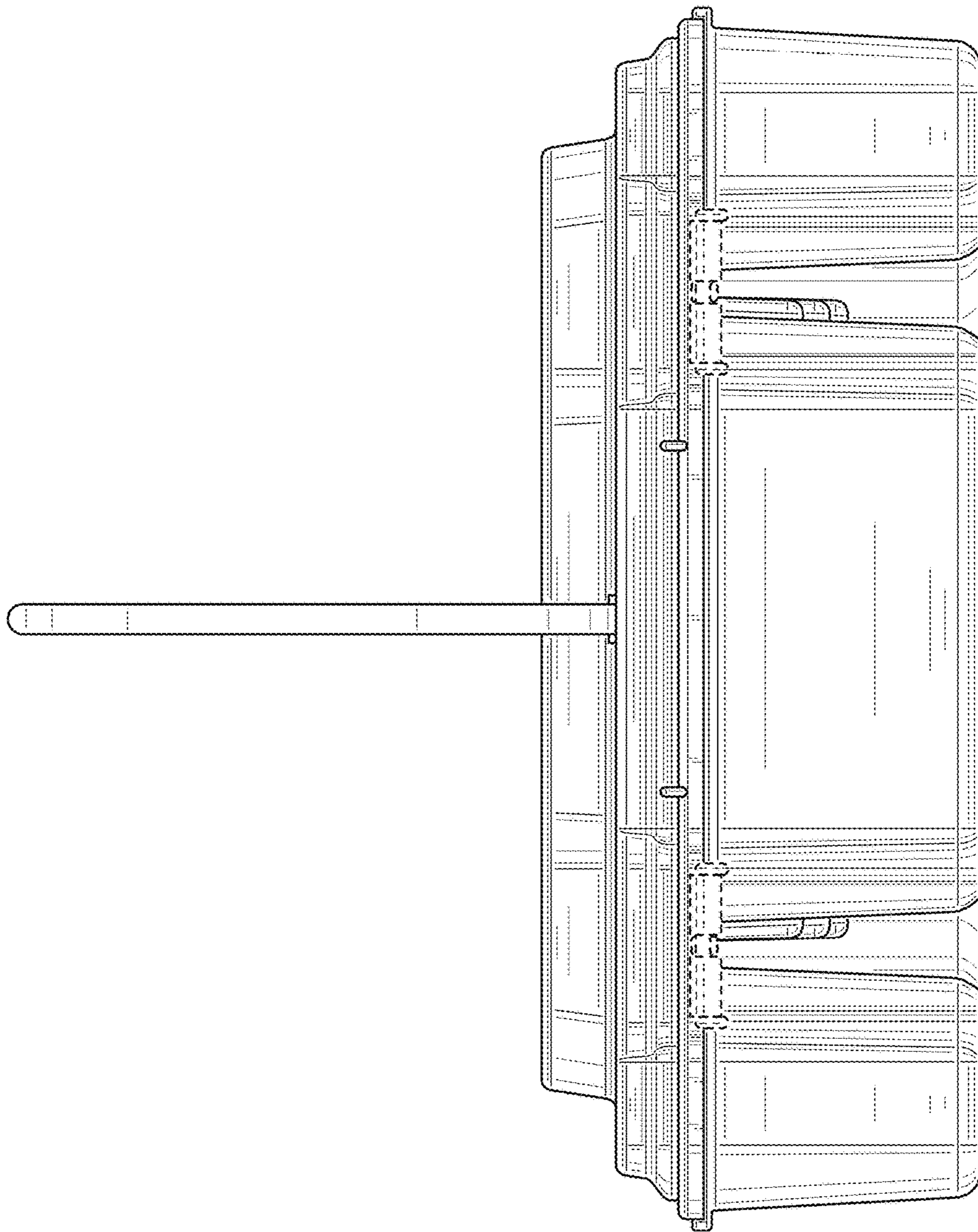


FIG. 4

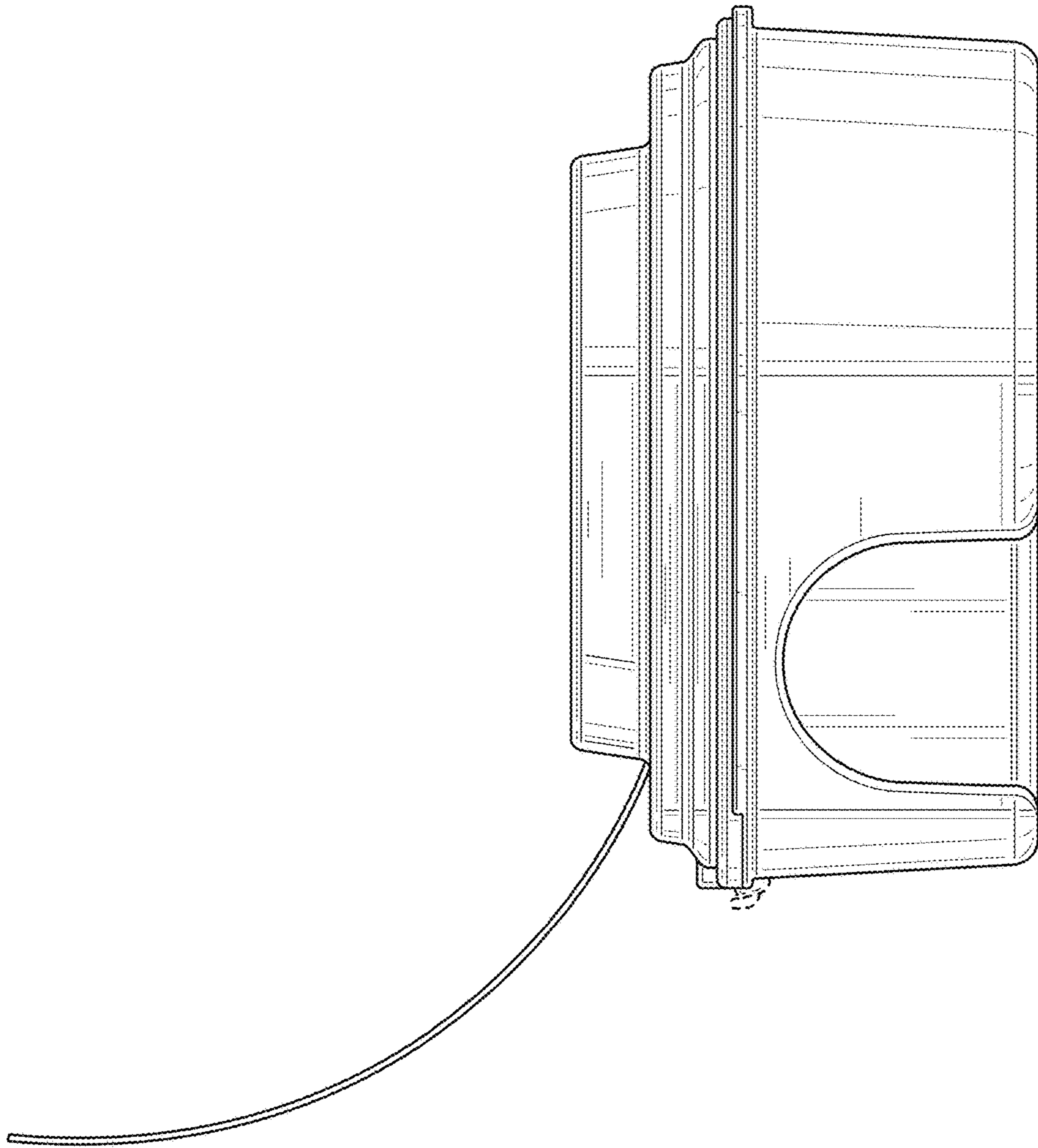


FIG. 5

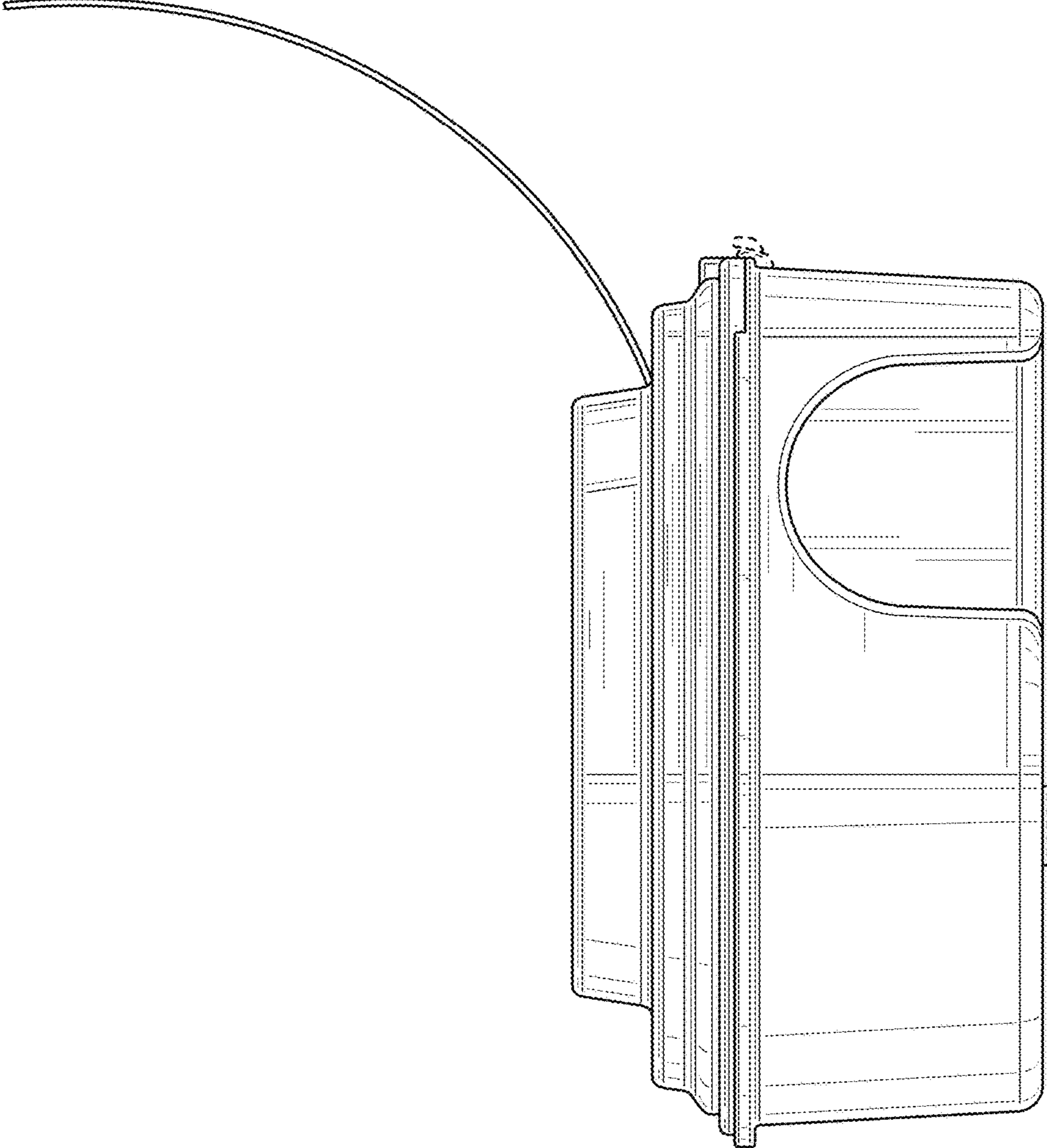


FIG. 6

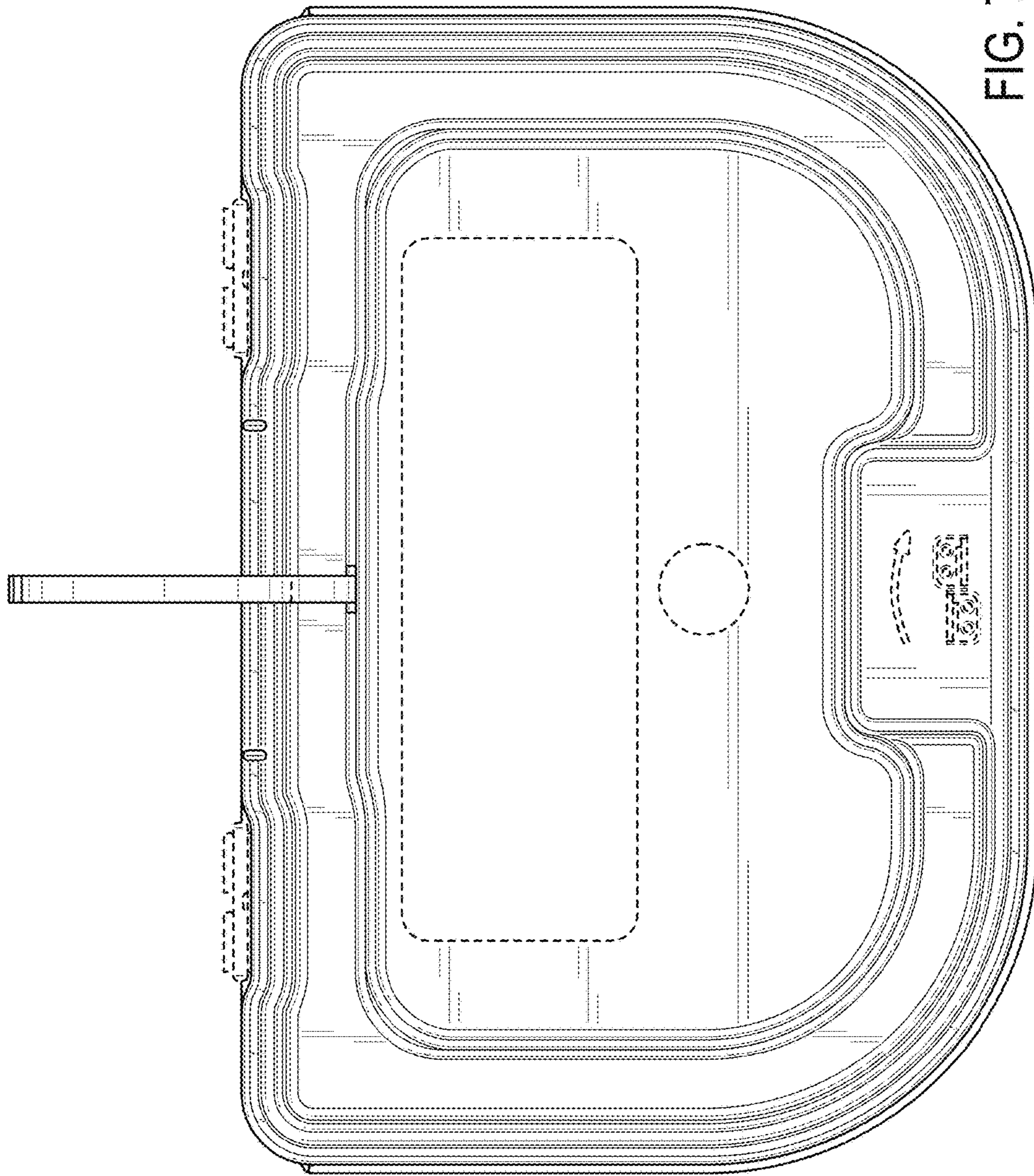
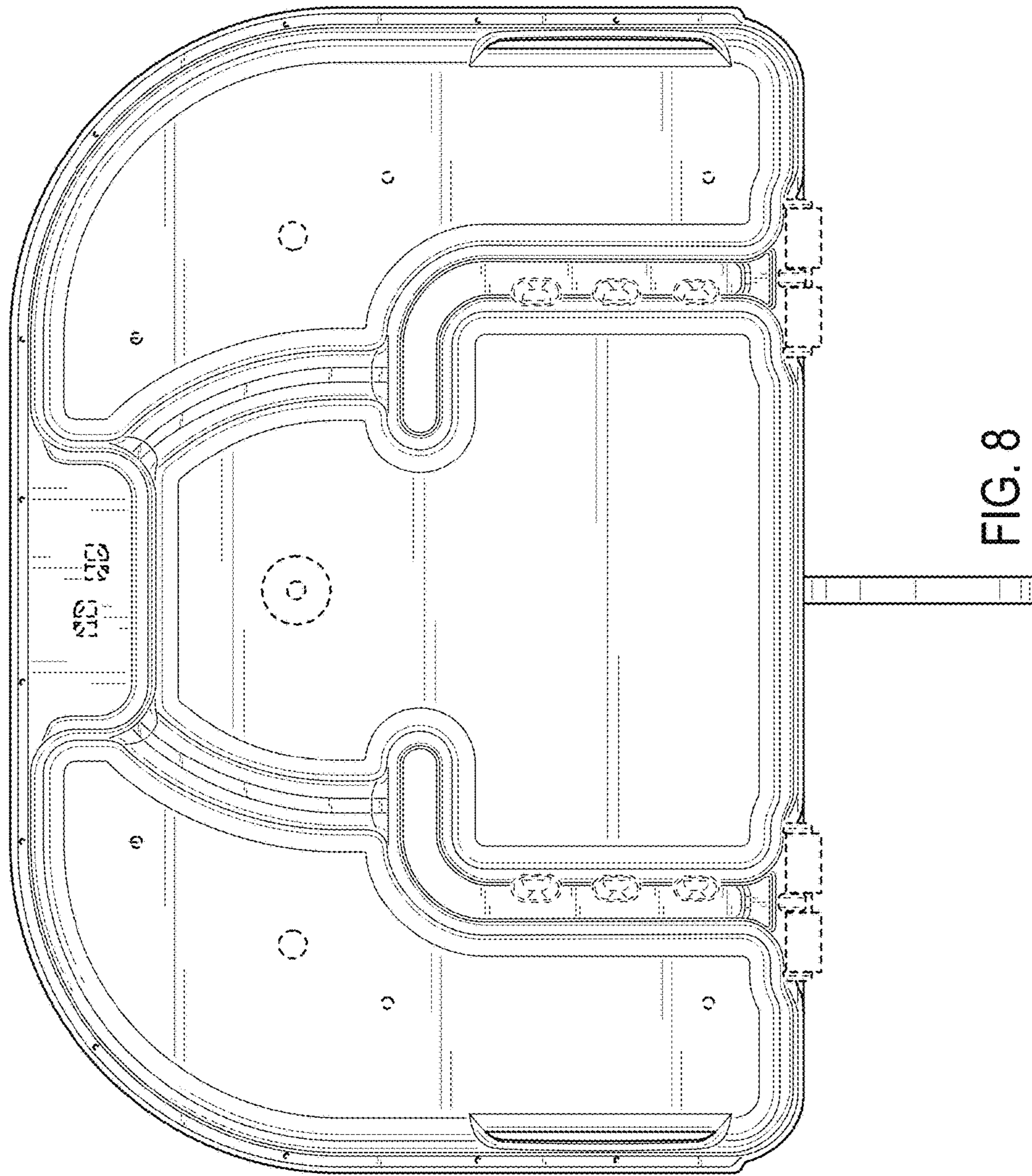


FIG. 7



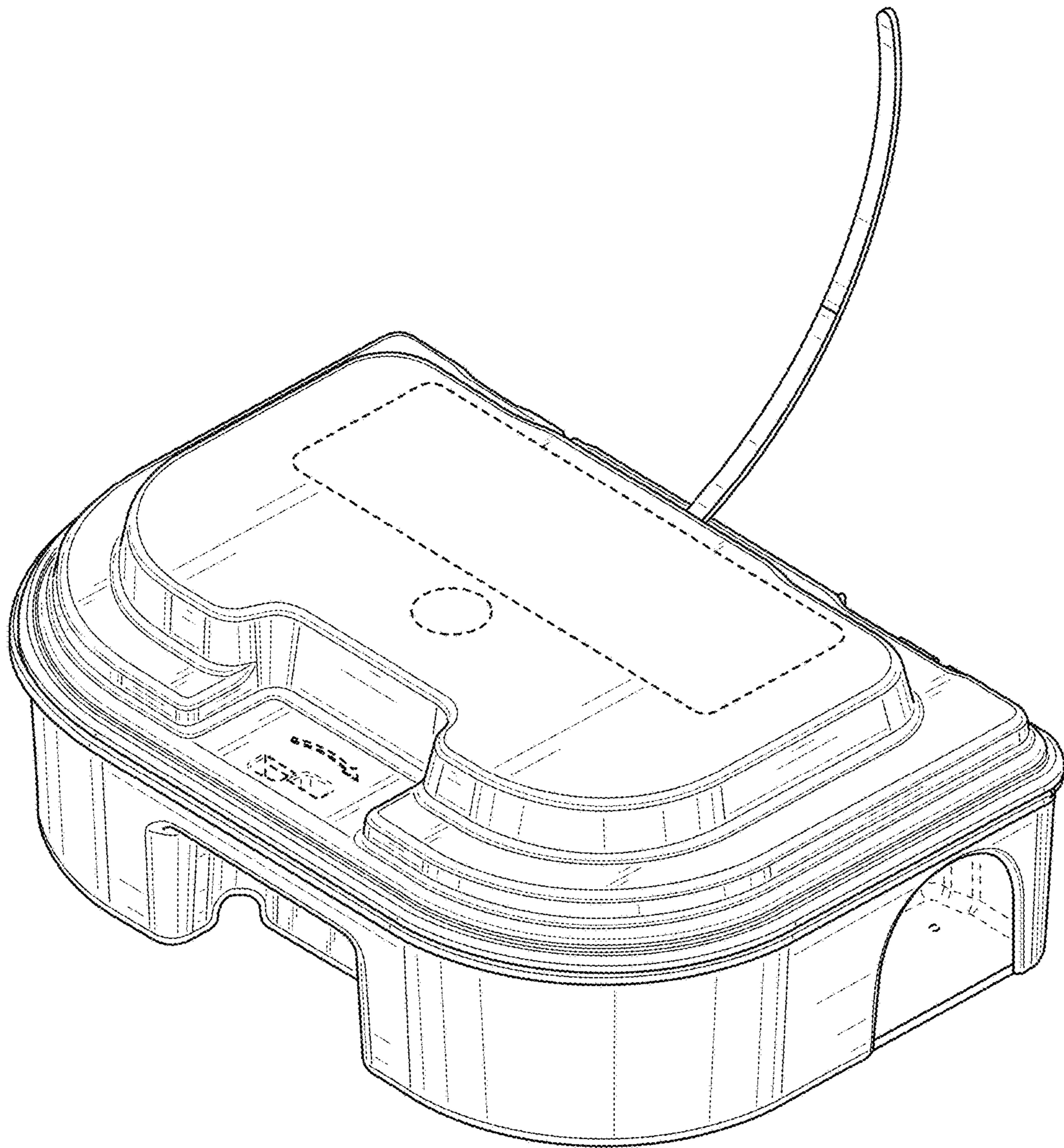


FIG. 9

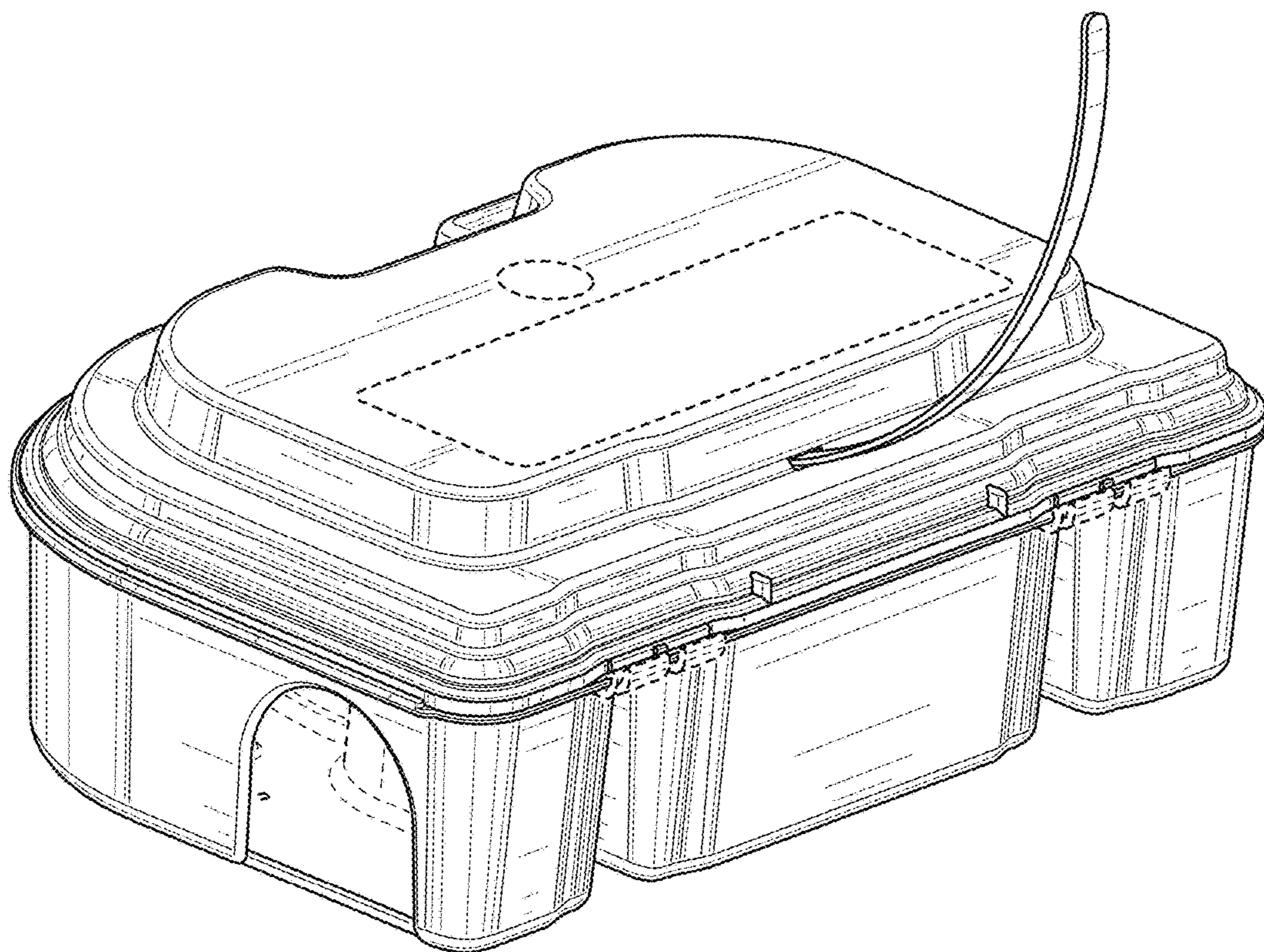


FIG. 10

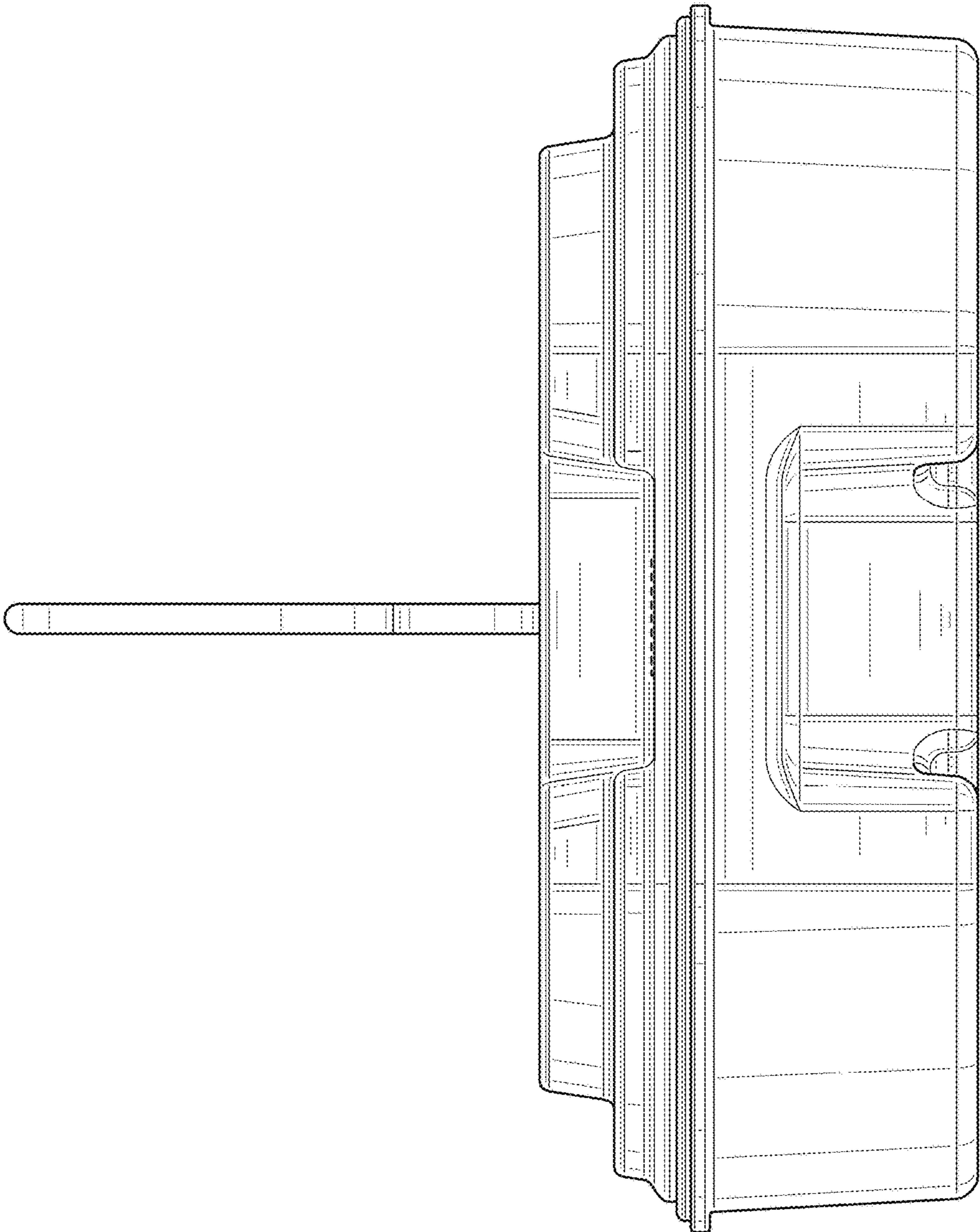


FIG. 11

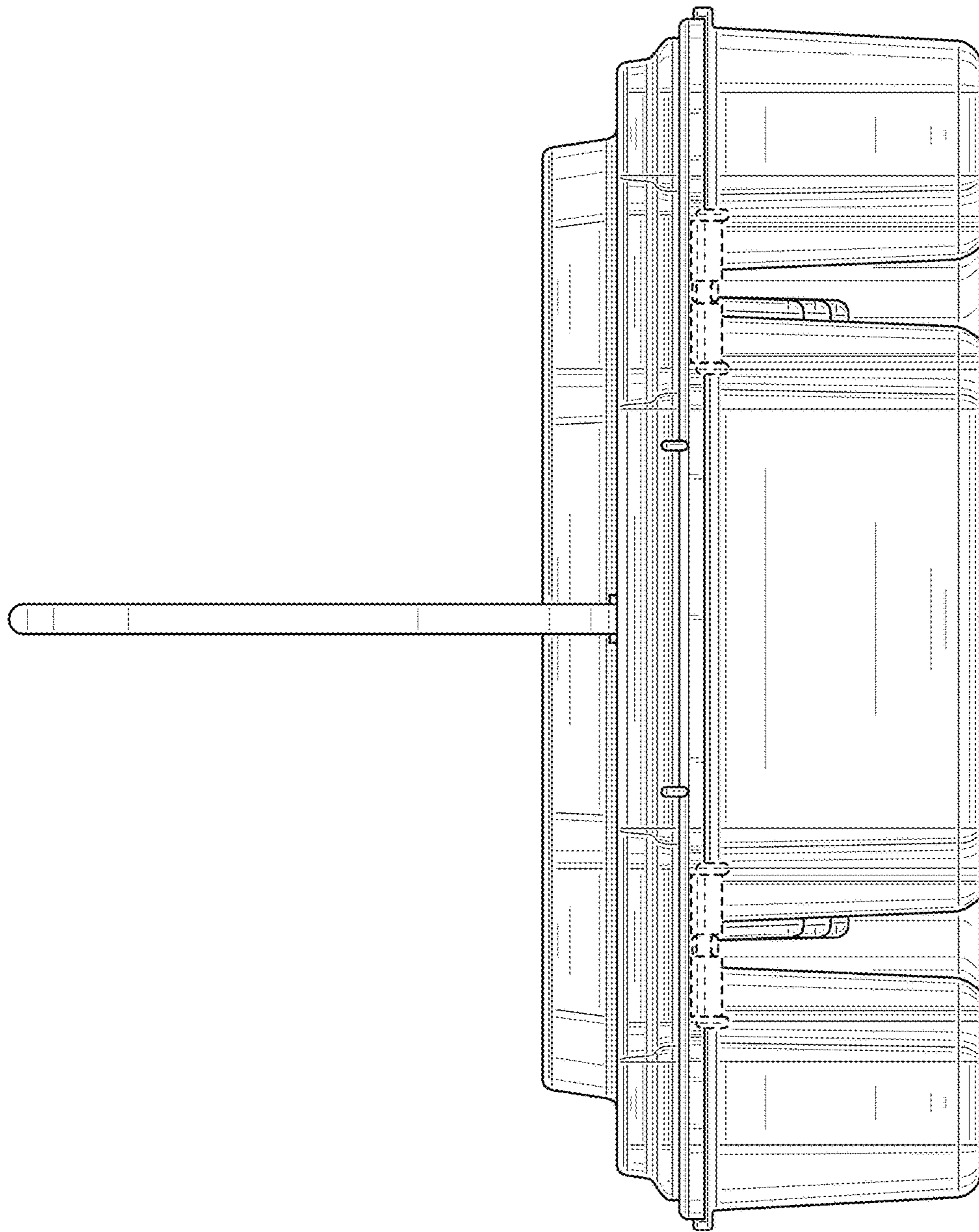


FIG. 12

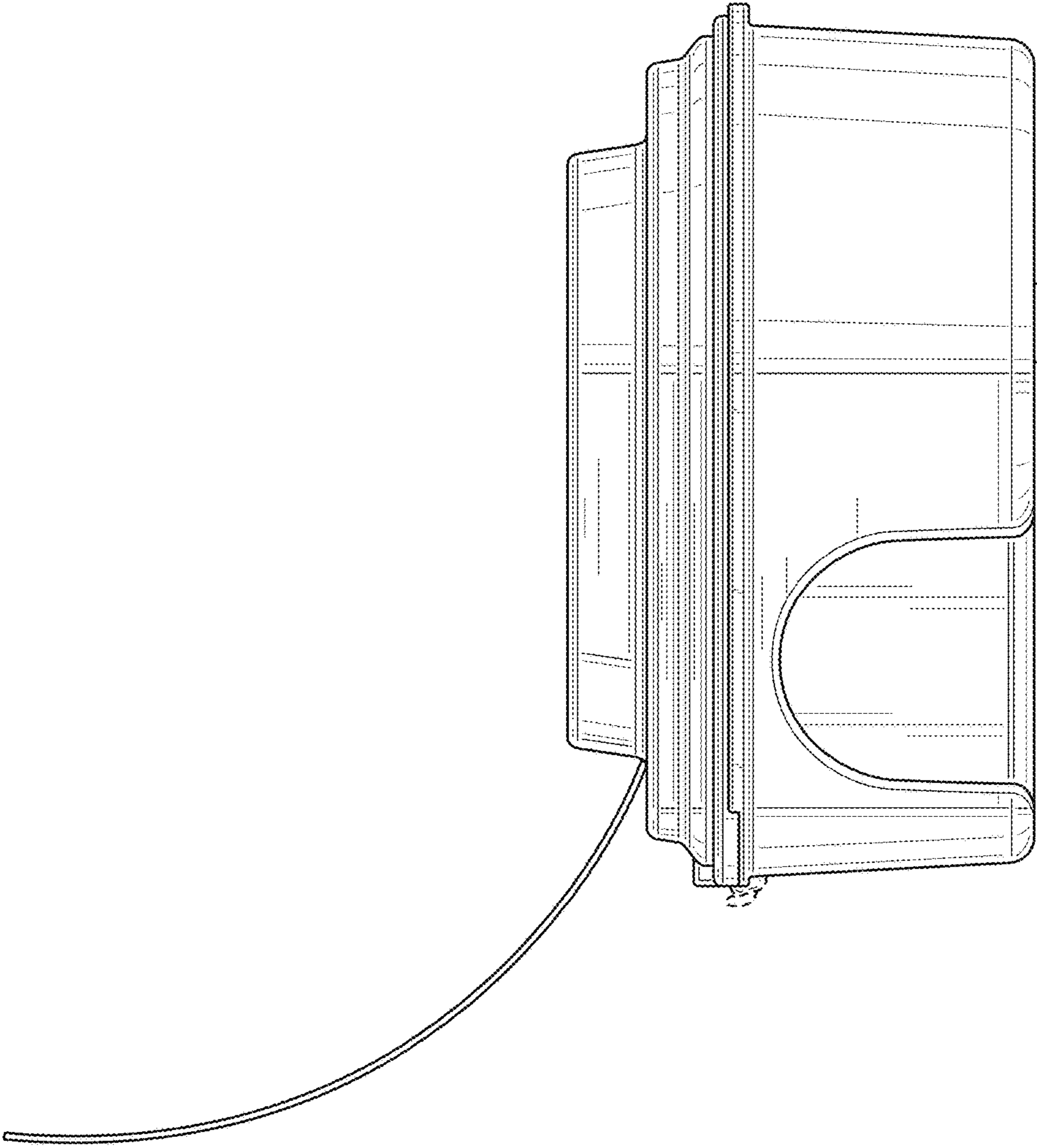


FIG. 13

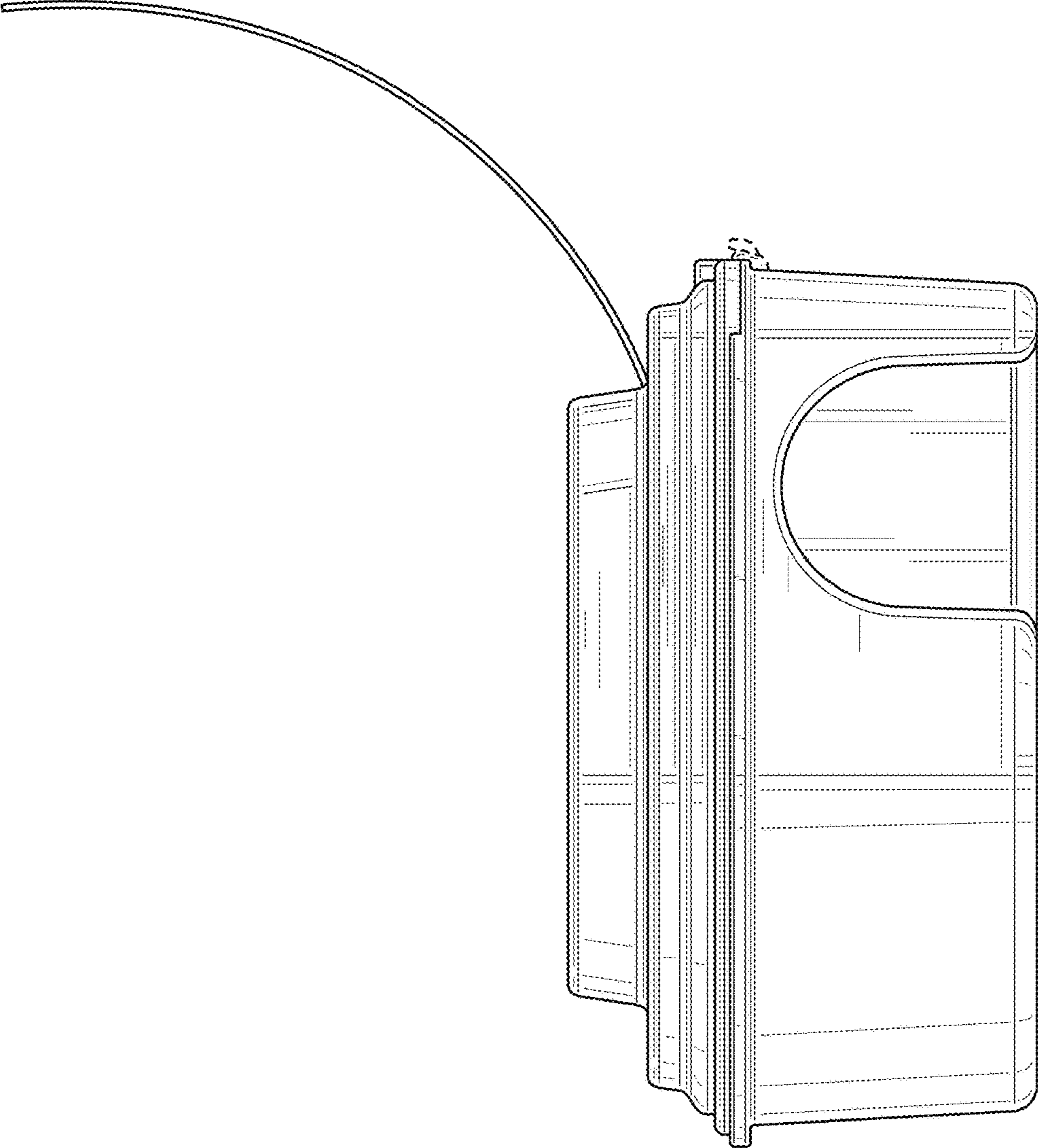


FIG. 14

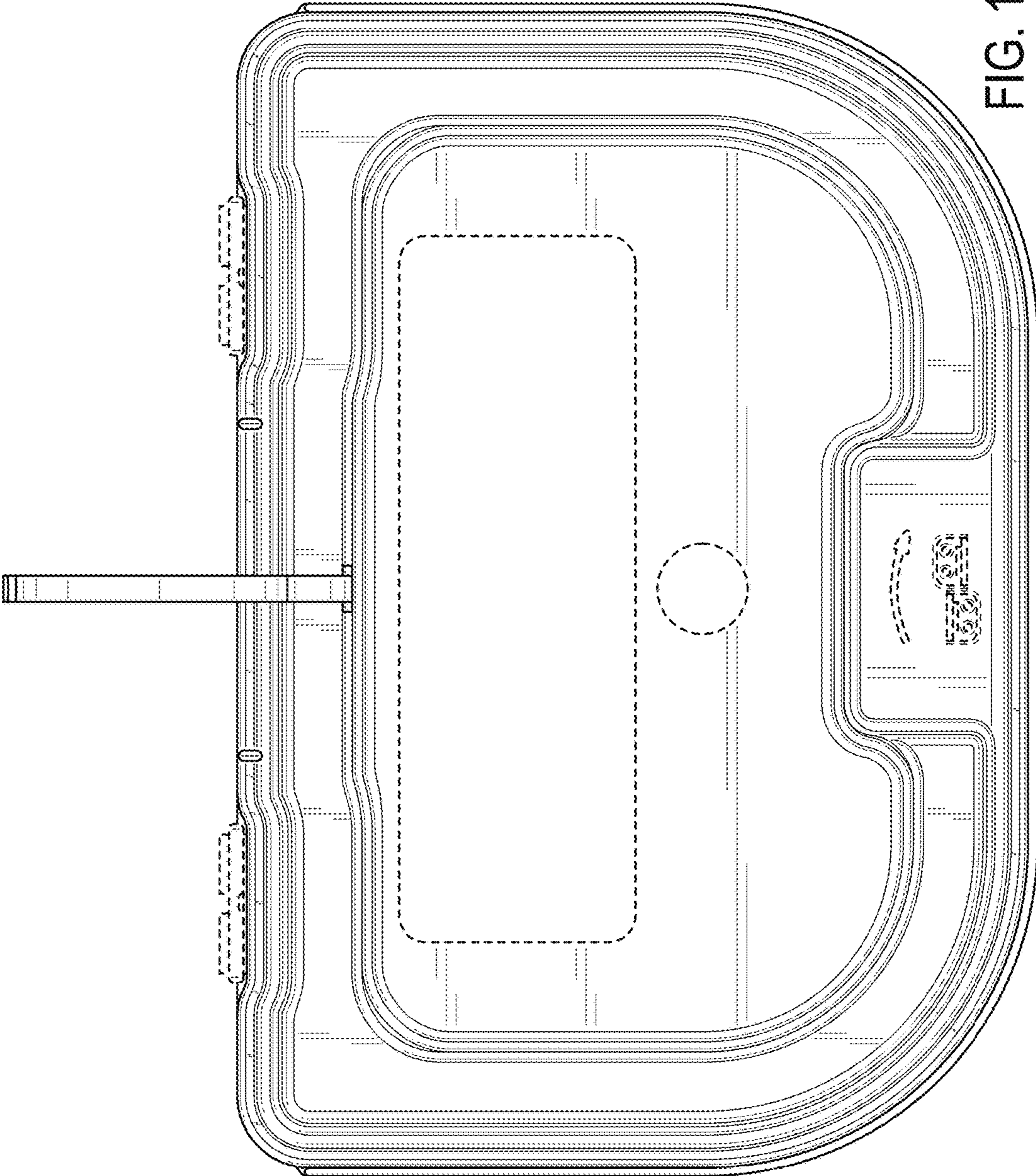


FIG. 15

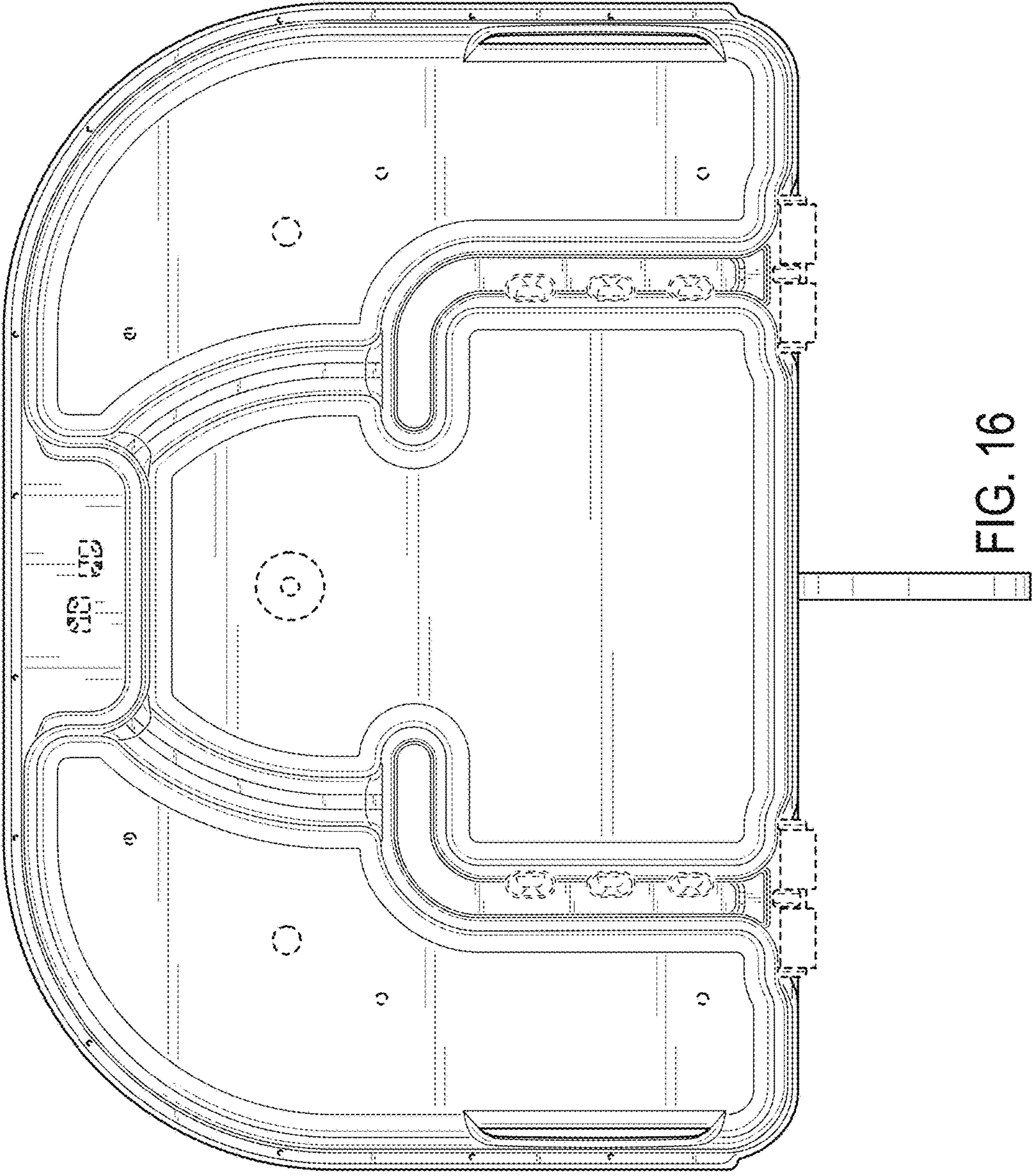


FIG. 16